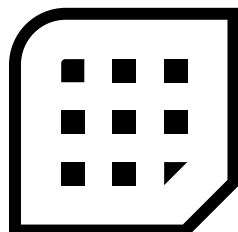
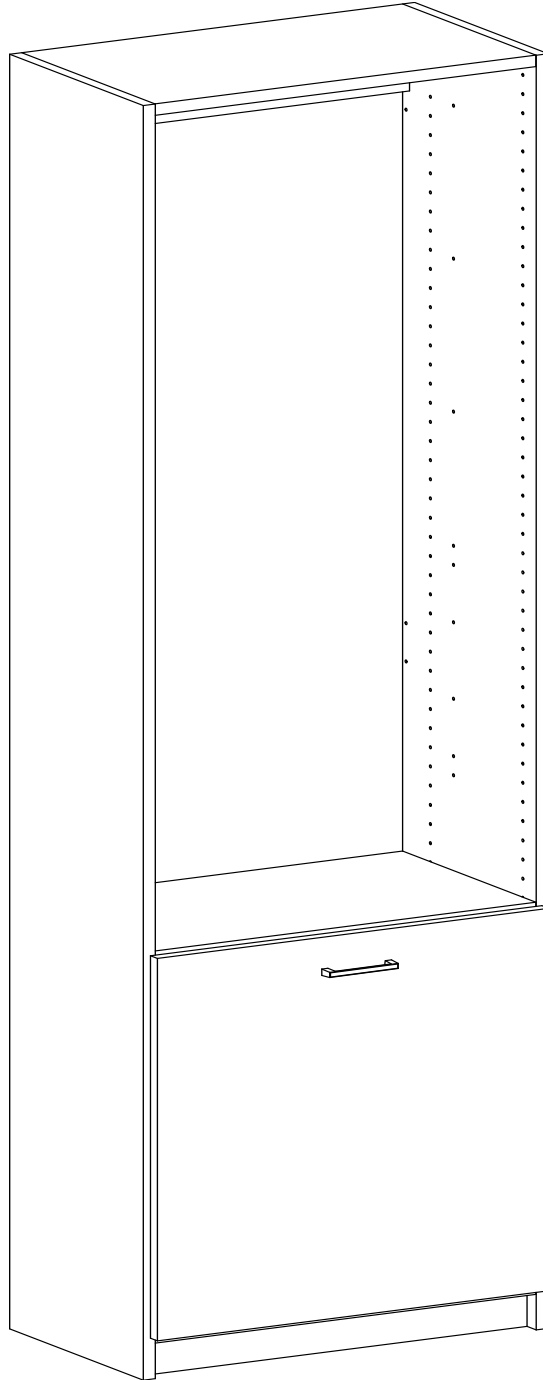


ALTO Tilt-Out Hamper

ASSEMBLY INSTRUCTIONS



**modular
closets.**



Congratulations on your purchase!

For any questions reach out to support@modularclosets.com or call 844-969-4247

Thank you for choosing Modular Closets and our Alto closet system!

We are committed to providing you with a seamless and efficient storage solution that enhances the organization and functionality of your space. Before you embark on assembling your new Alto closet system, we want to emphasize a crucial step to ensure a smooth and successful installation.

Important: Understanding Your Components

Before you begin the assembly process, it is essential to familiarize yourself with the components provided in your package. Our Alto closet system includes various boxes containing different parts designated for specific towers. Properly identifying and organizing these components will prevent confusion and streamline the installation.

What You Need to Do

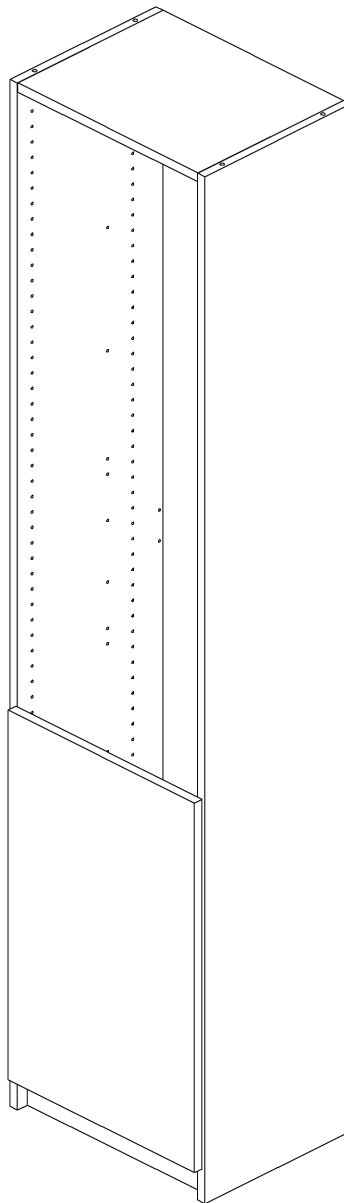
- 1. Inventory Check:** Begin by unpacking all the boxes and verifying the contents against the parts list provided. Ensure that you have all the necessary components and hardware.
- 2. Label and Sort:** Carefully read the labels on each box and sort the components according to the designated towers. This step is critical as it will help you avoid mixing parts that belong to different sections of the closet system.
- 3. Check Sizes:** Verify the sizes of the components against the measurements specified in your design PDF. Ensuring that each part matches the intended dimensions is crucial for a proper fit and installation.
- 4. Reference Your Design PDF:** Use the design PDF provided with your order to map out the correct placement of each component. This document will guide you in matching the parts to their specific locations within the closet system.
- 5. Read the Instructions:** Thoroughly read through the entire instruction manual before starting the assembly. Understanding the overall process and the sequence of steps will save you time and effort.

By taking the time to carefully organize, understand your components, and reference your design PDF, you set the stage for a successful and stress-free installation. We are confident that with a little preparation, you will find the assembly process straightforward and rewarding.

Thank you for your attention to these important details.

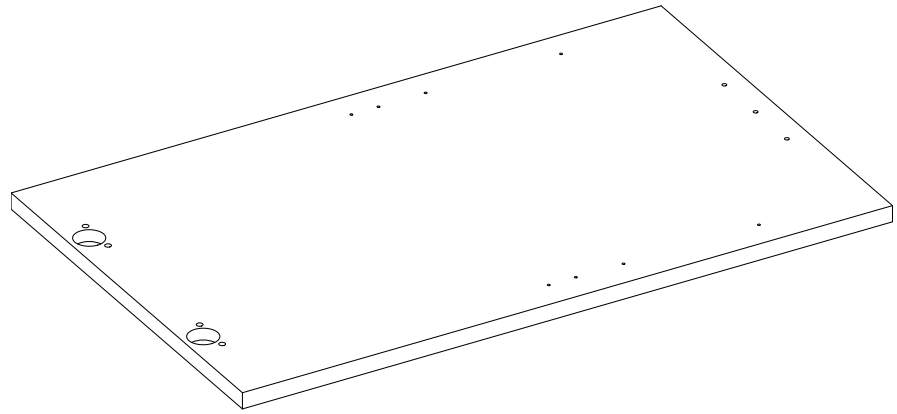
Now, let's get started on transforming your space with your new Alto closet system from Modular Closets!

The Alto Hamper assembly starts with an already completed Alto Tower or an unfinished Alto Tower without the bottom shelf attached. If necessary, please review the Alto Assembly instructions booklet to start.





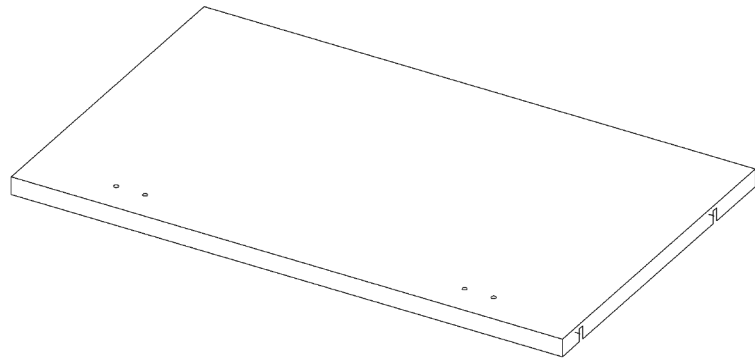
Boxes Needed



ALT-HMP



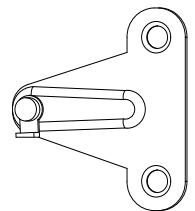
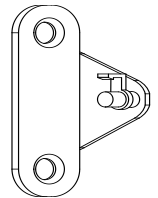
Door and Fixed Shelf



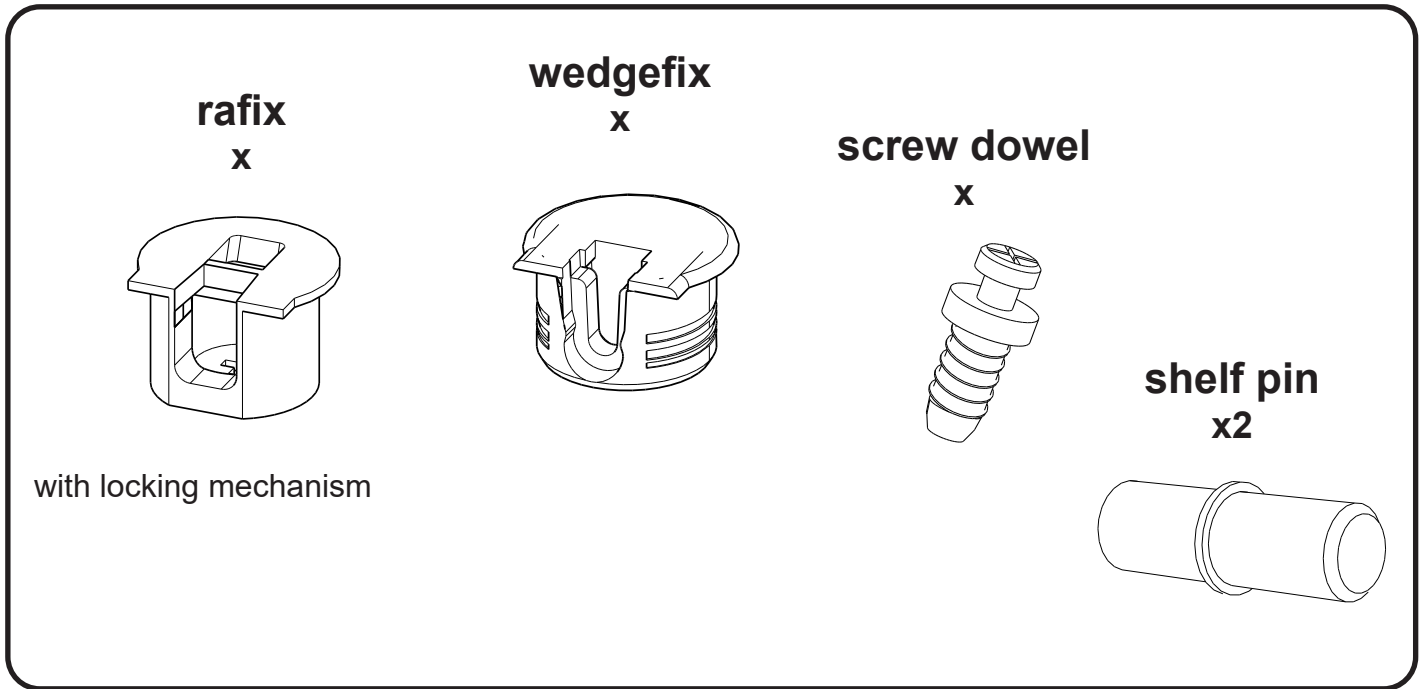
Hamper



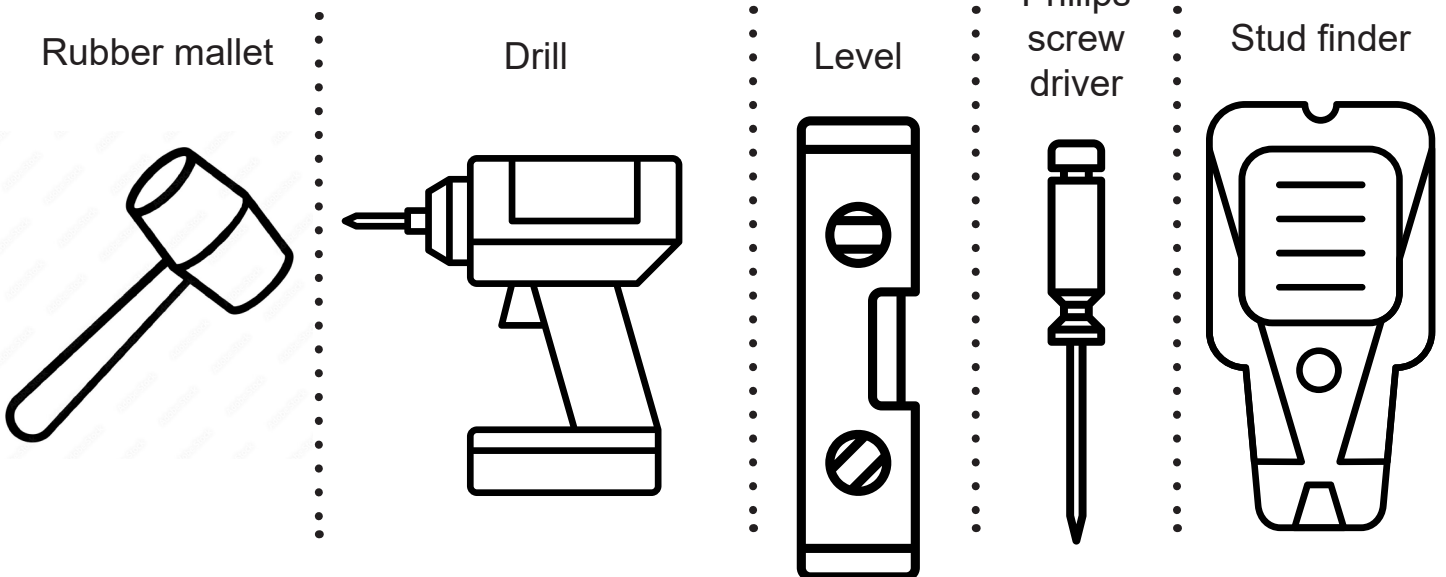
Hamper Hardware Pack



Hardware Packs Needed
ALT-HRDP-FS



Tools needed

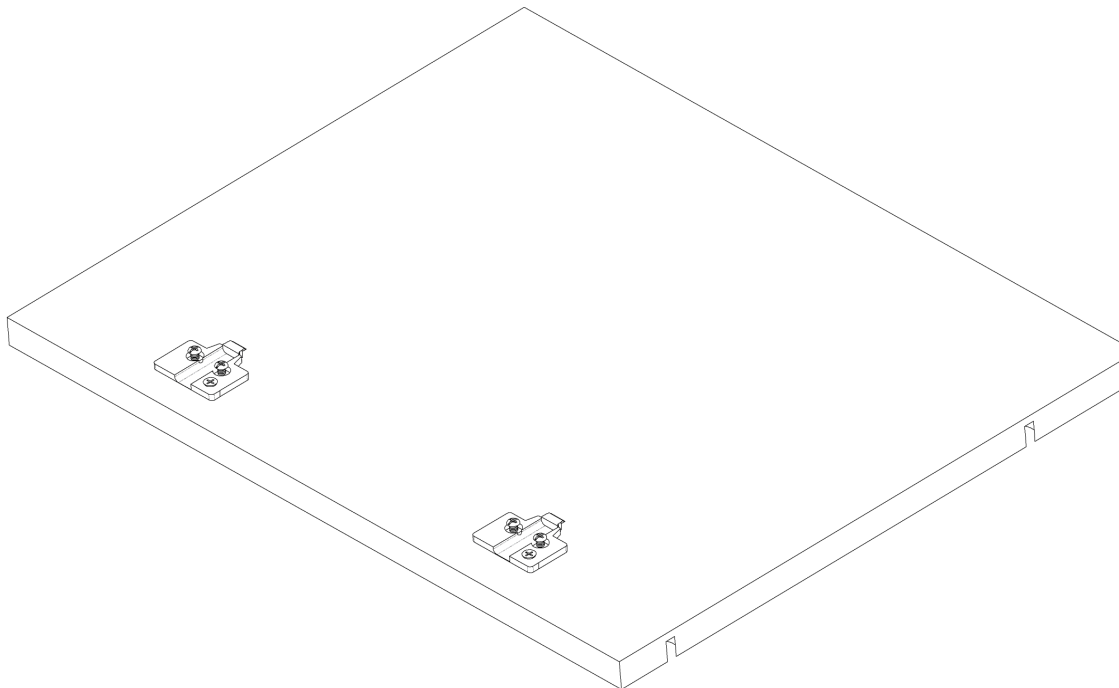
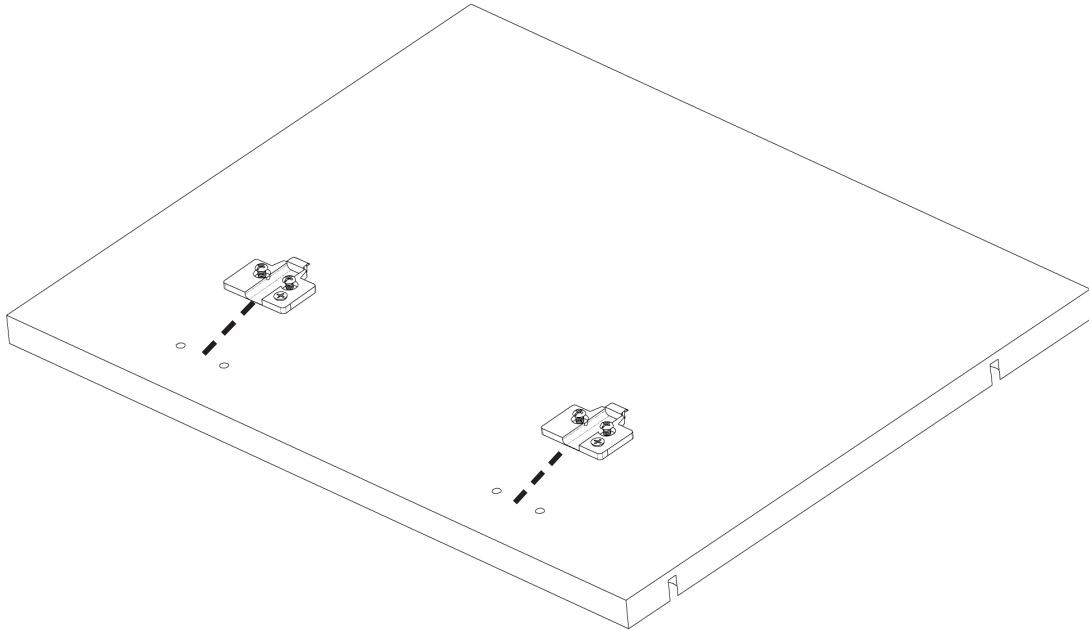


2 person assembly suggested



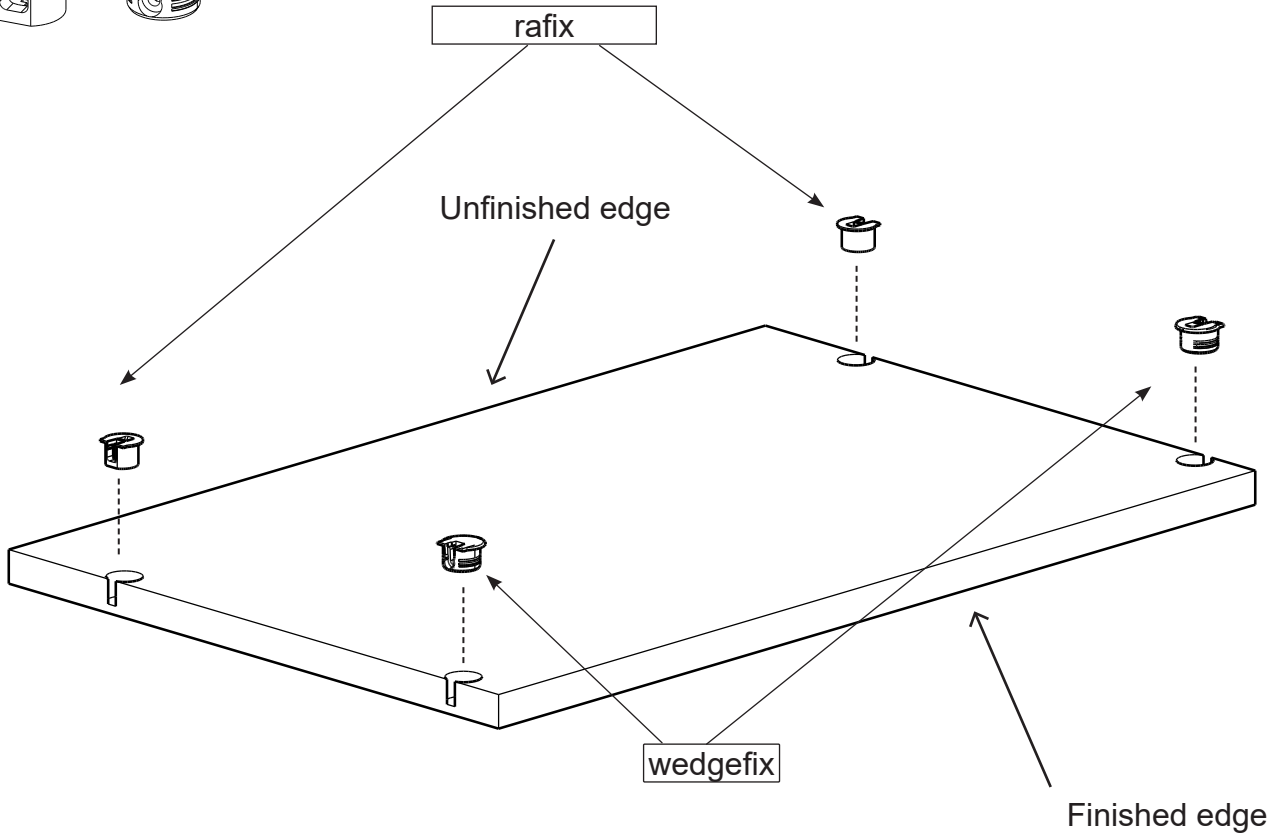
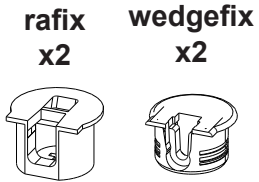
Step 1

Attach standard hardware pack hinge plates to bottom fixed shelf. Screw into place.



Step 2

Insert 2 rafixes in the holes closer to the unfinished edge, and 2 wedgefixes in the holes closer to the finished edge.

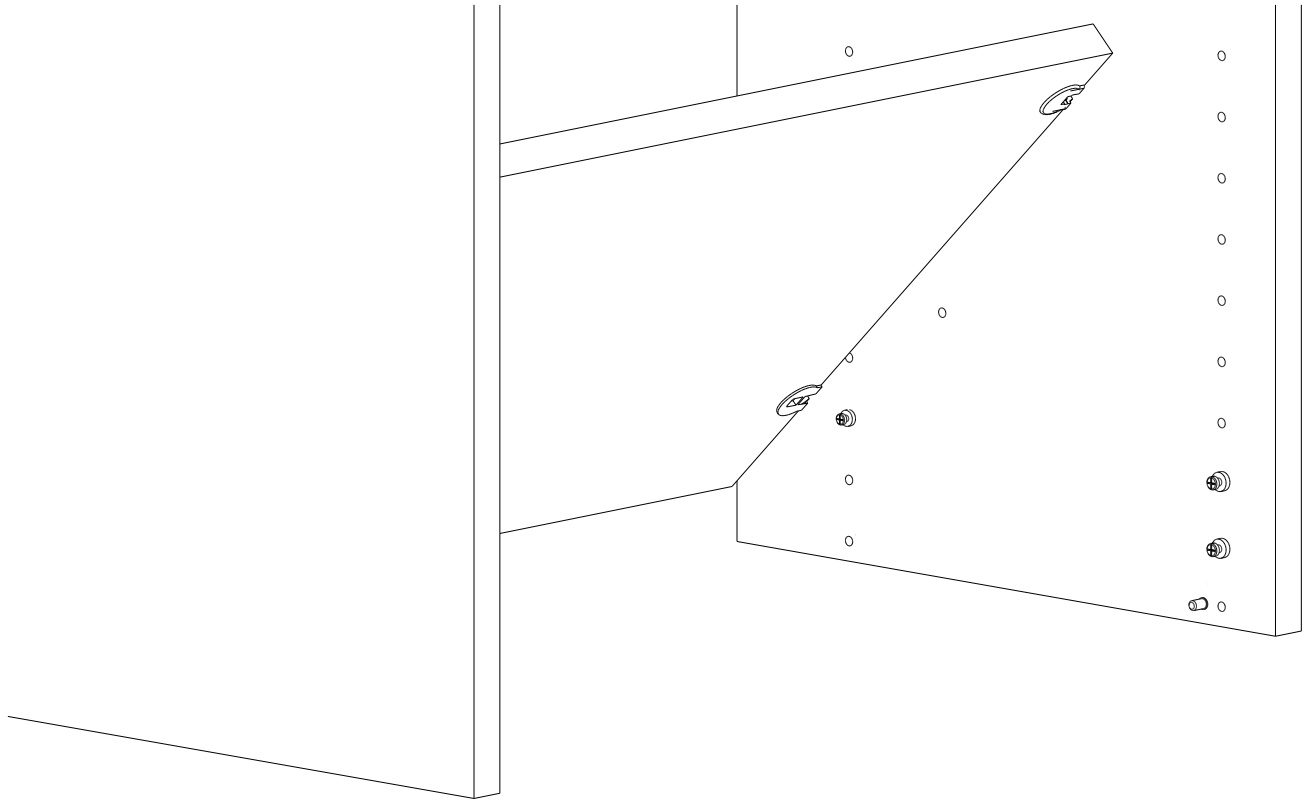


This will be used as the bottom fixed shelf

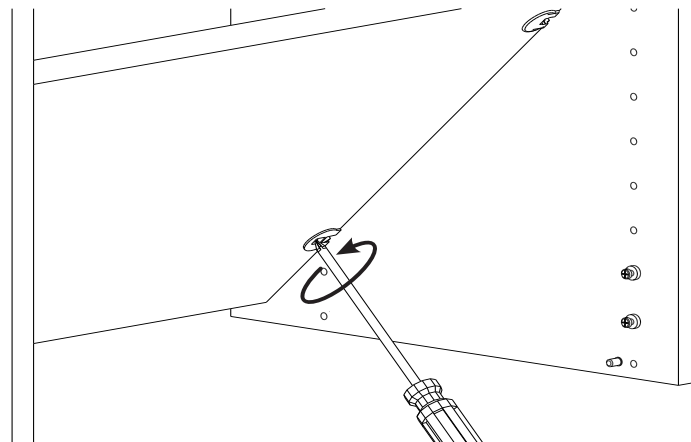


Step 3

Insert the bottom fixed shelf (with 2 rafixes and 2 wedgexes from step 2) and insert the back 2 rafixes into the screw dowels as shown below.

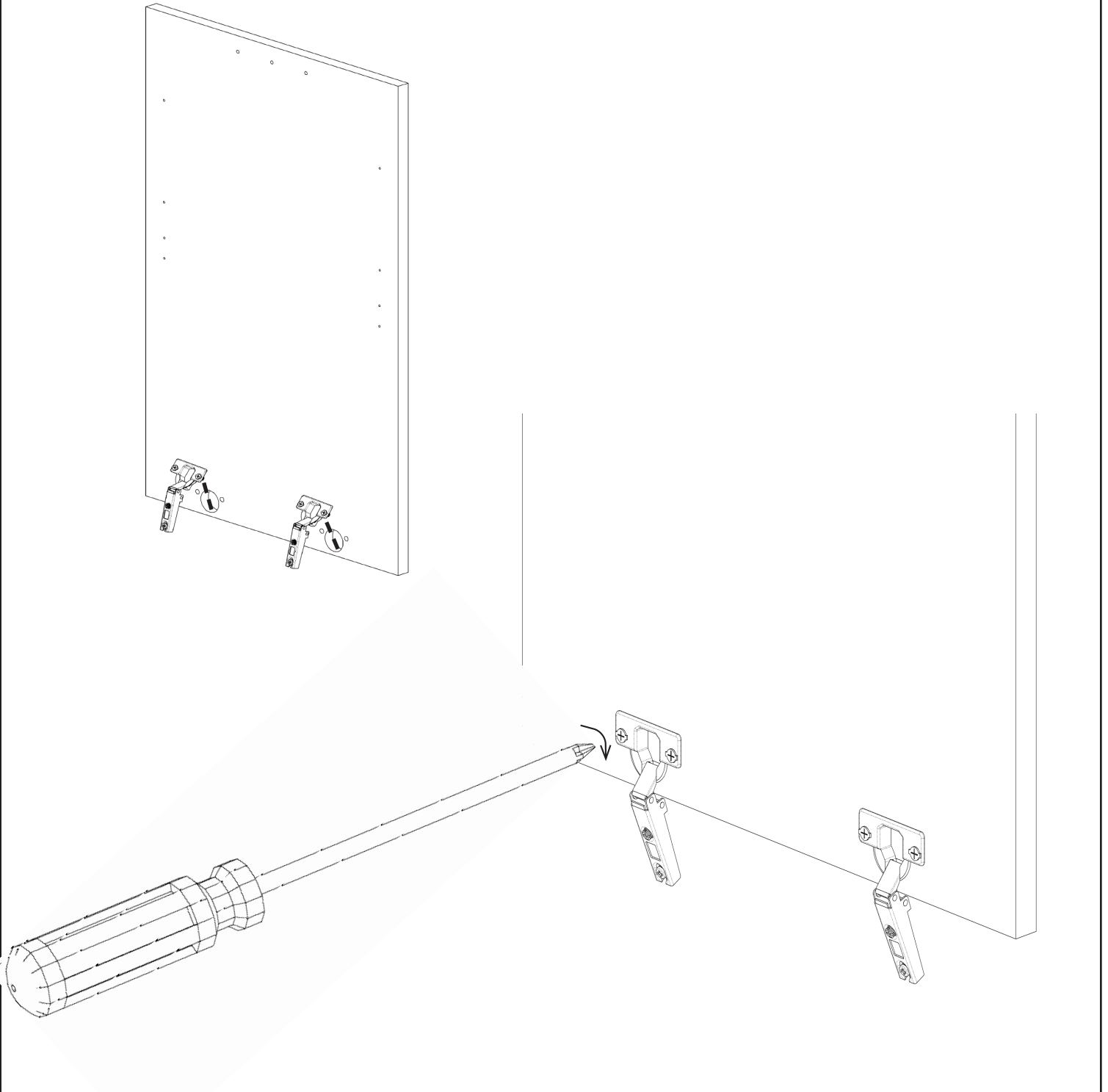


Hold Shelf at an angle and use screw driver to secure the back



Step 4

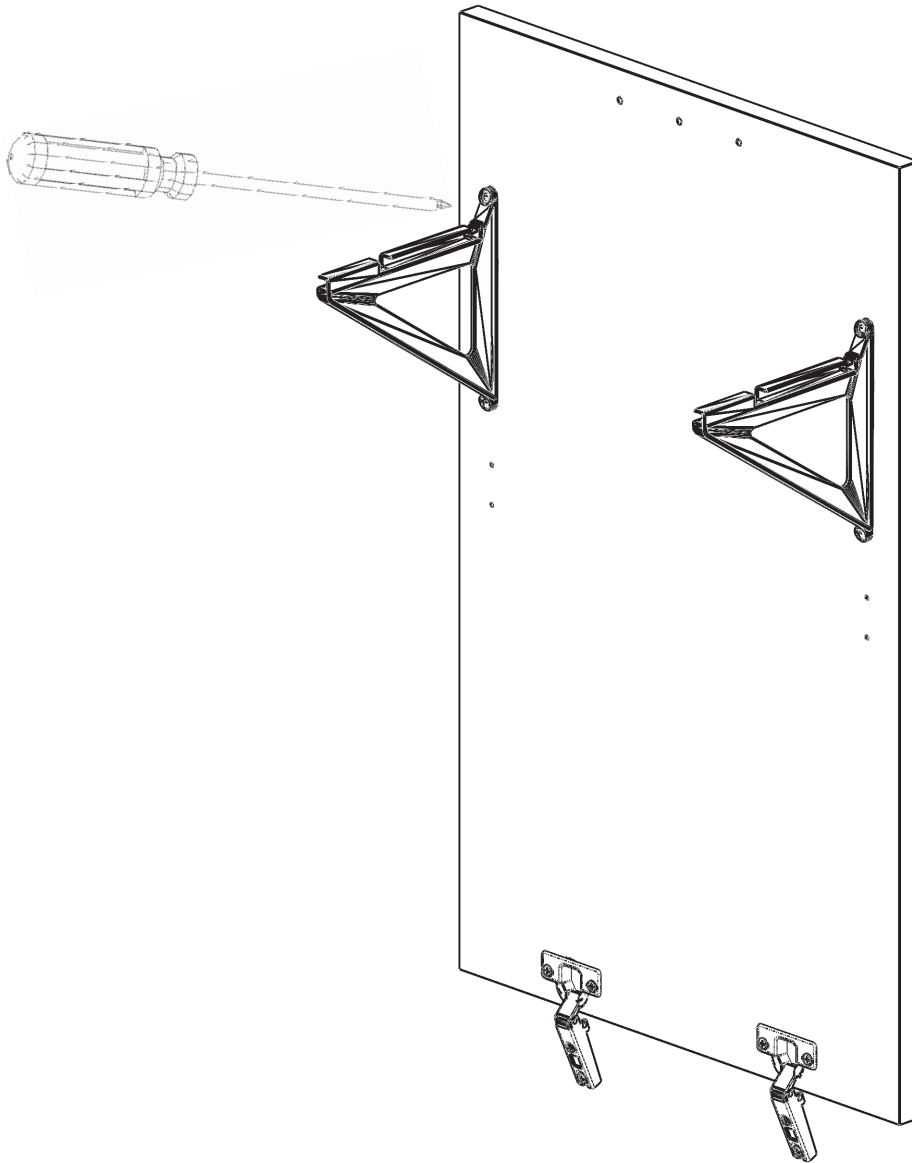
Insert the hinges into the appropriate slot at the bottom of door panel and fasten them with a screw driver.





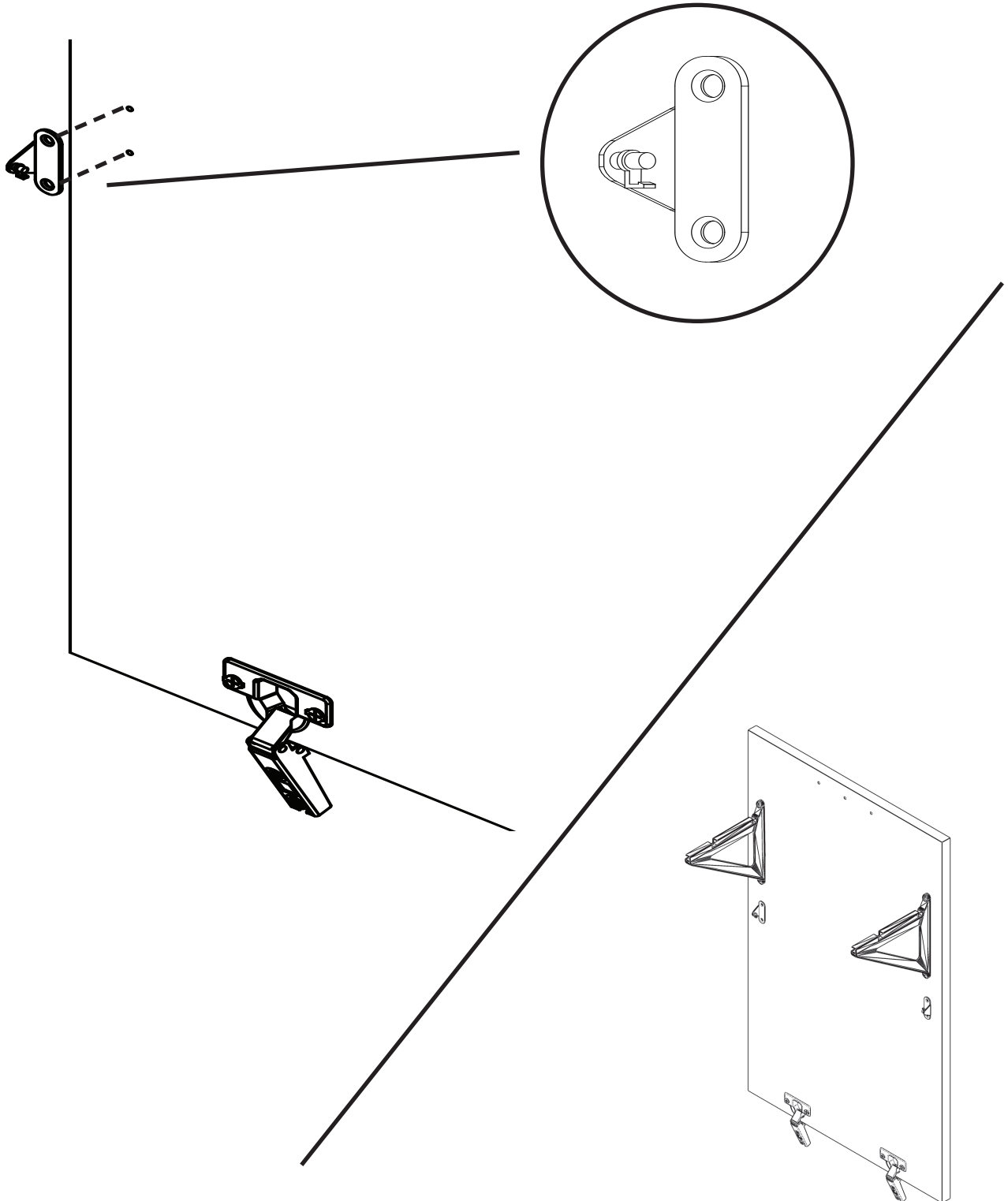
Step 5

Using the provided hamper hardware pack, attach and screw the hamper brackets to the back of the door.



Step 6

Using the provided hamper hardware pack, attach the stay hinges to the back of the door. Please make sure to ensure you are using the correct plates matching with the image provided below. Repeat for other side.

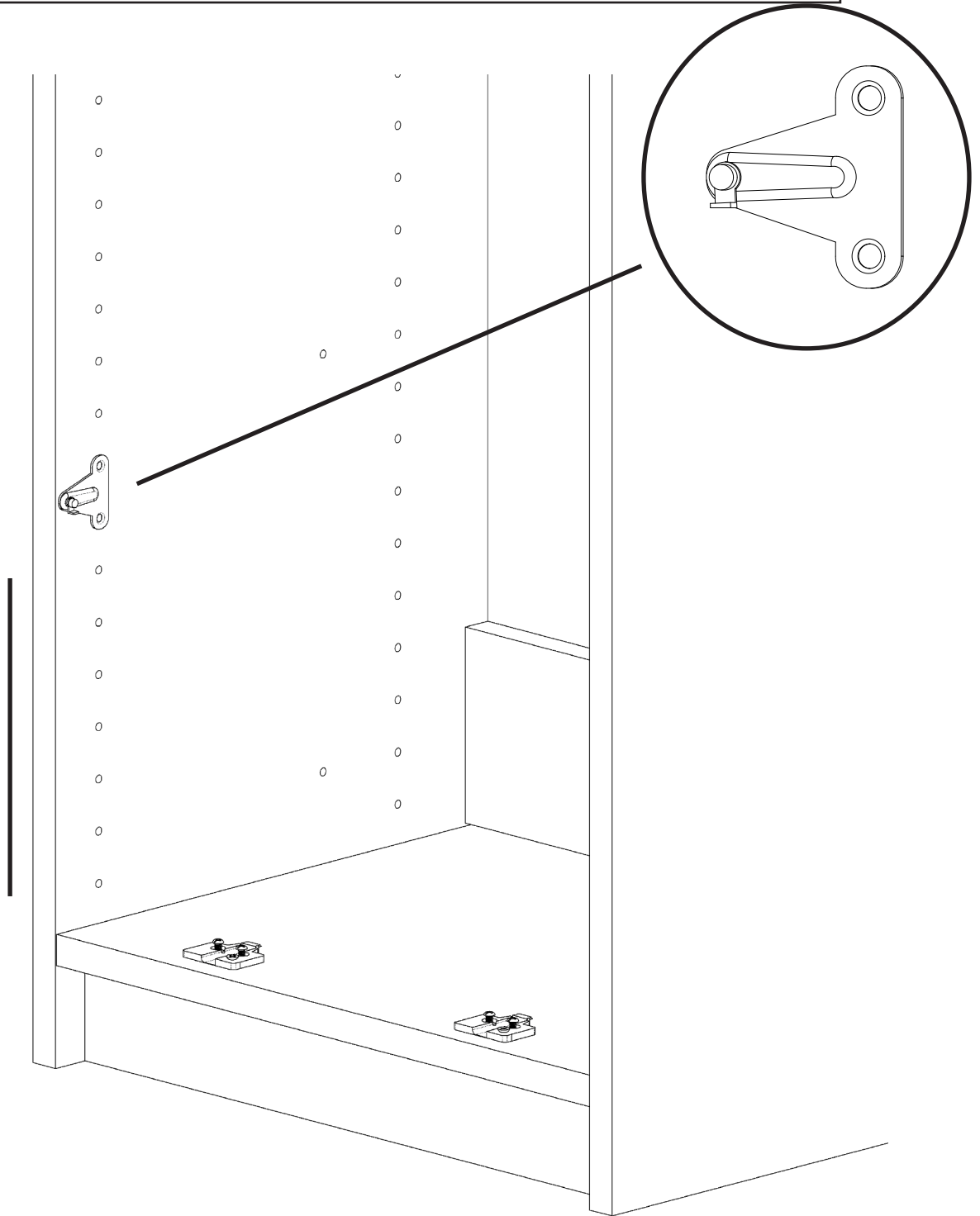




Step 7

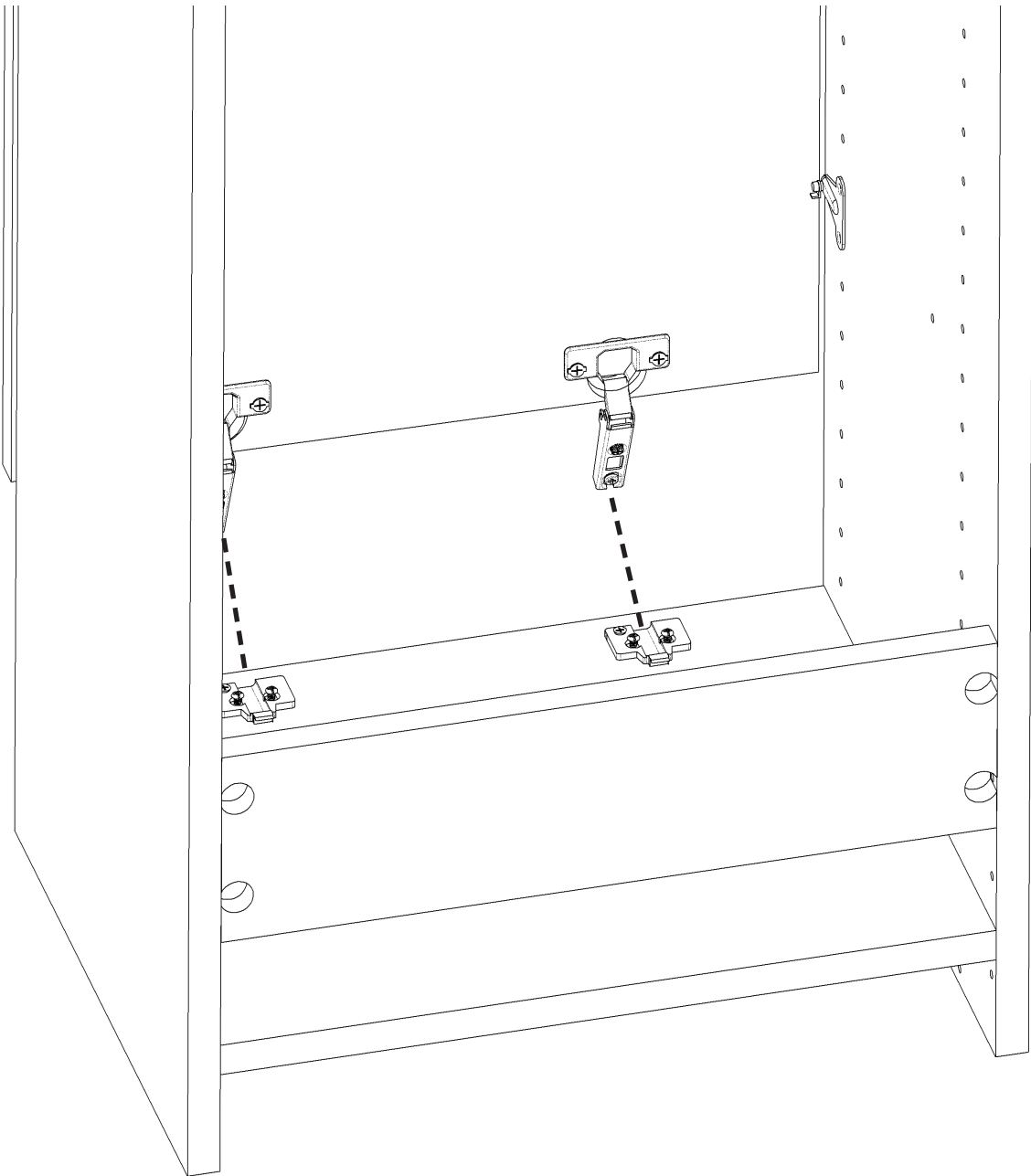
Attach additional stay hinges to the assembled alto tower panel. Install 7 holes from the bottom. Please ensure you are using the correct plates matching with the image provided below. Repeat for other side.

7 Holes



Step 8

Attach hinges to secured plates on bottom shelf to connect the door.





Step 9

Snap door stay into the two plates installed on steps 6 and 7. Repeat for other side.

