

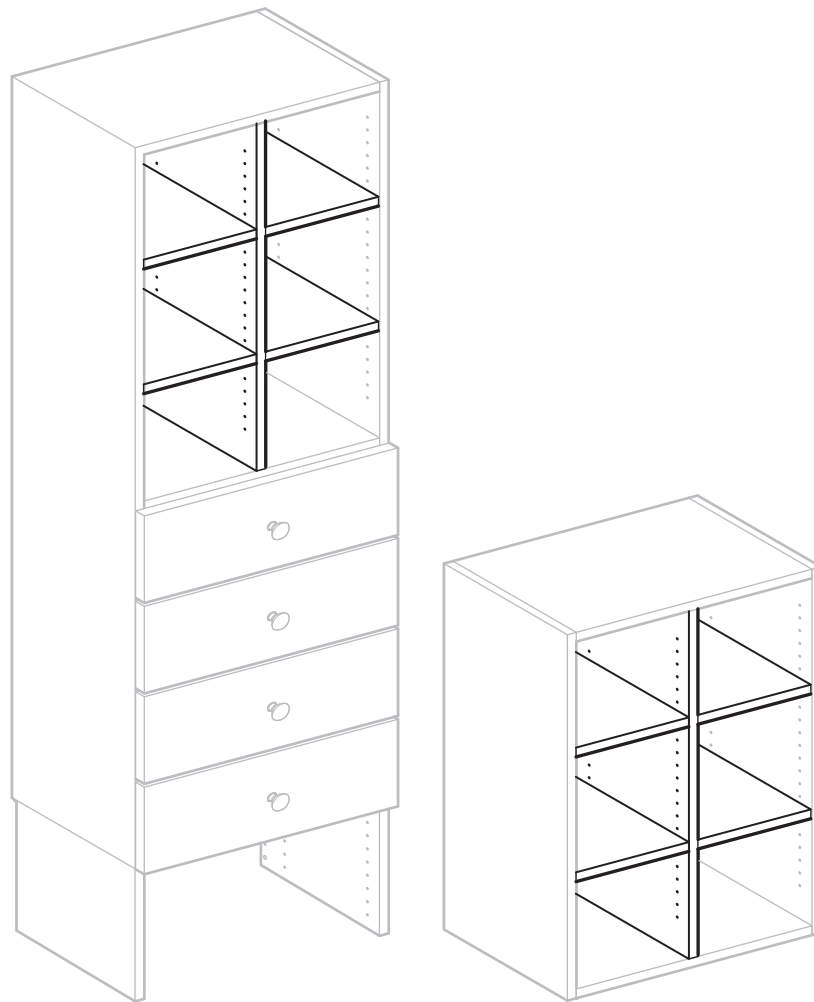
modular  
closets.

support@modularclosets.com

1-844-969-4247

# CUBBY INSERT

For use with Shelf Tower Unit or Cubby Unit



## ASSEMBLY AND INSTALLATION INSTRUCTIONS

# ASSEMBLY AND INSTALLATION INSTRUCTIONS CUBBY INSERT



# 1

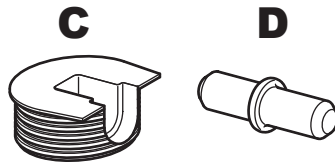
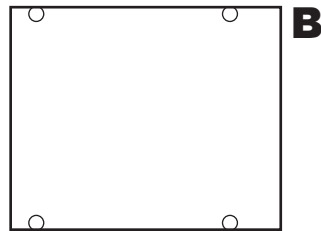
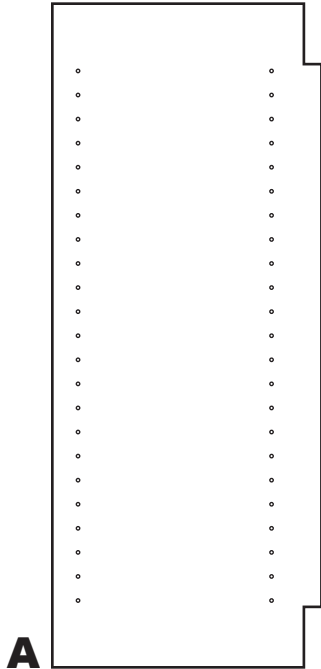
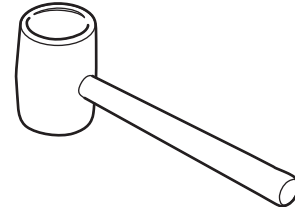
## PARTS LIST

- A** Vertical Support (Qty 1)
- B** Shelf (Qty 4)
- C** Wedge Fix (Qty 16)
- D** Duplo Pin (Qty 16)

## TOOLS REQUIRED

(not included)

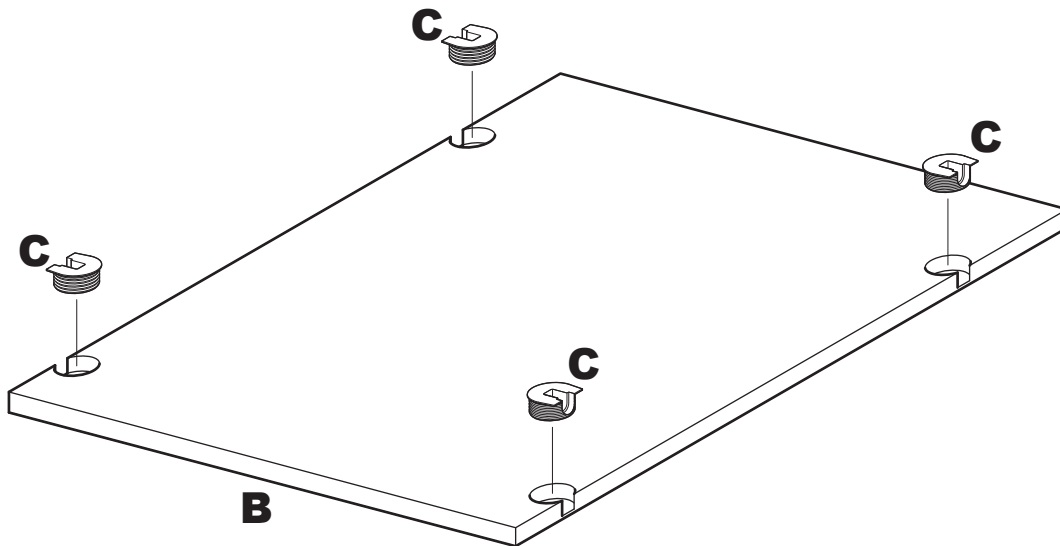
- E** Rubber Mallet



**1.1** Lay parts out on a protective surface to prevent damage. **Tip:** Spread out the cardboard packaging to use as a protective surface.

**1.2** Inventory parts against the Parts List. Make sure all parts are present before proceeding.

# 2



**2.1** Insert Wedge Fixes (C) in cutouts into recesses in Shelves (B). Gently tap each Wedge Fix (C) into Shelf (B) using a rubber mallet until lip on Wedge Fix is flush with surface of Shelf.

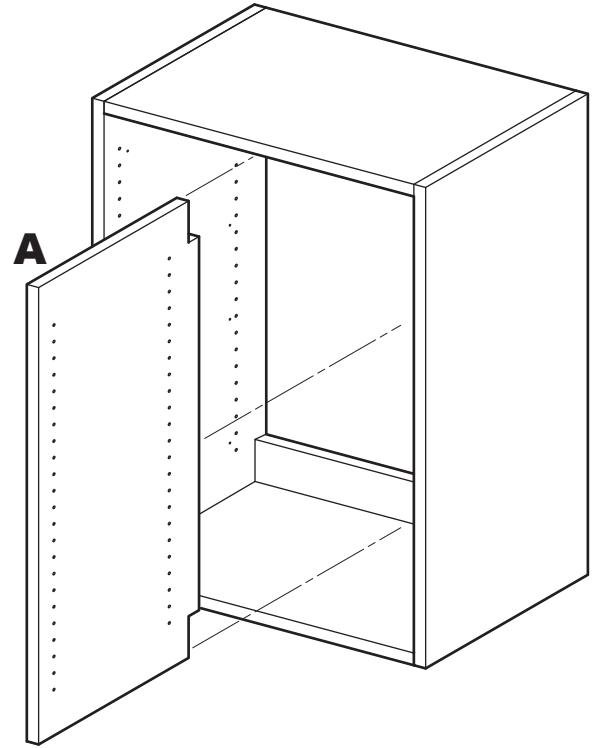
# ASSEMBLY AND INSTALLATION INSTRUCTIONS CUBBY INSERT



## 3A

**For installation in Cubby Unit or lower compartment of Shelf Tower Unit:**

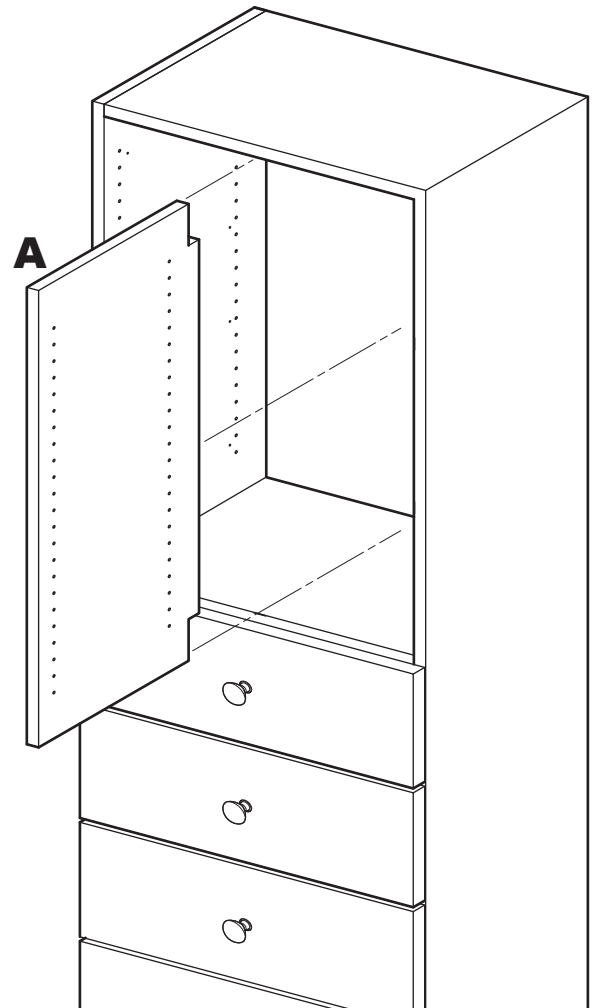
- 3.1** Insert Vertical Support (A) into compartment in Unit.
- 3.2** Make sure cutouts in Vertical Support engage Rear Cleats in Unit and front edge of Support is flush with front of Unit.



## 3B

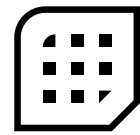
**For installation in upper compartment of Shelf Tower Unit:**

- 3.1** Insert Vertical Support (A) into compartment in Unit.
- 3.2** Make sure upper cutout in Vertical Support engages Rear Cleat in Unit and front edge of Support is flush with front of Unit.



# ASSEMBLY AND INSTALLATION INSTRUCTIONS

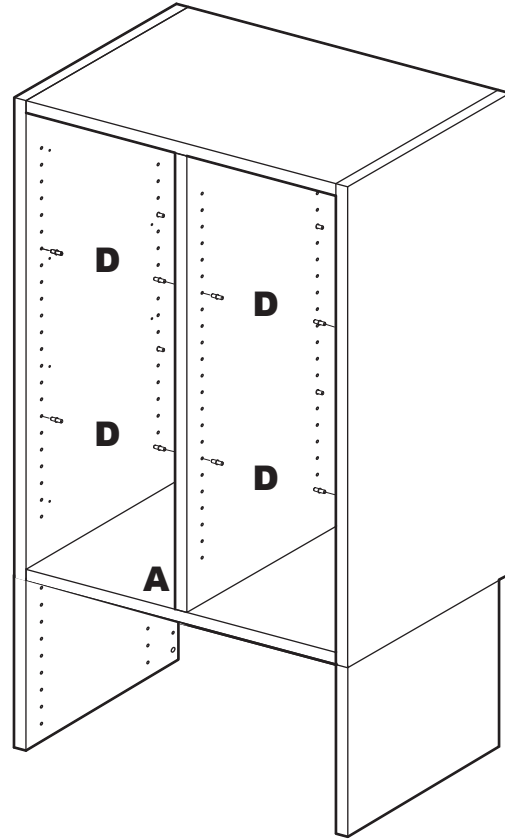
## CUBBY INSERT - 18" / 24" / 30"



modular  
closets.

# 4

- 4.1** For each Shelf (B), screw four Duplo Pins (D) into pin holes in Unit side panels and Vertical Support (A) at the desired height until Pins are seated against panels and Vertical Support.



# 5

- 5.1** For each Shelf (A), slide Shelf into Unit. BE SURE Wedge Fixes in bottom of Shelf engage four Duplo pins.

