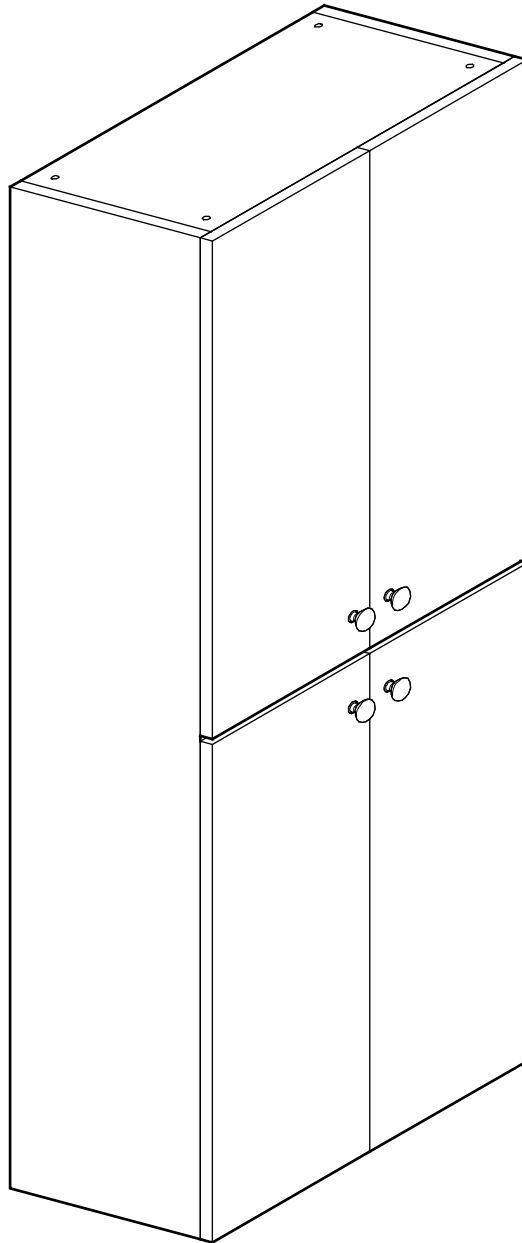
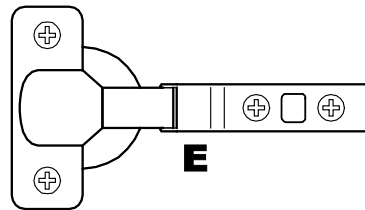
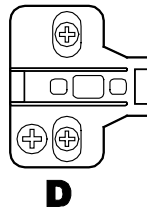
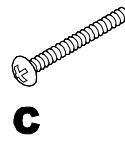
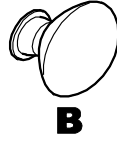
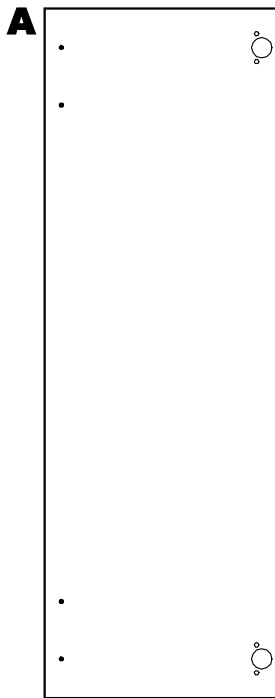


Door Kits

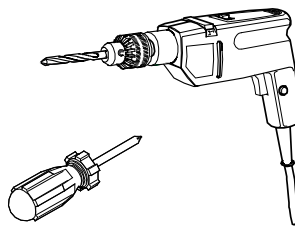
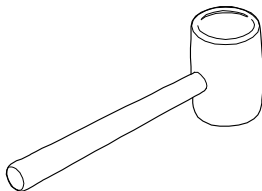


1



PARTS LIST

- A** Door (Qty 1)
- B** Door Knob (Qty 1)
- C** Screw, 1.5" (Qty 1)
- D** Hinge Plate (Qty 2)
- E** Hinge (Qty 2)



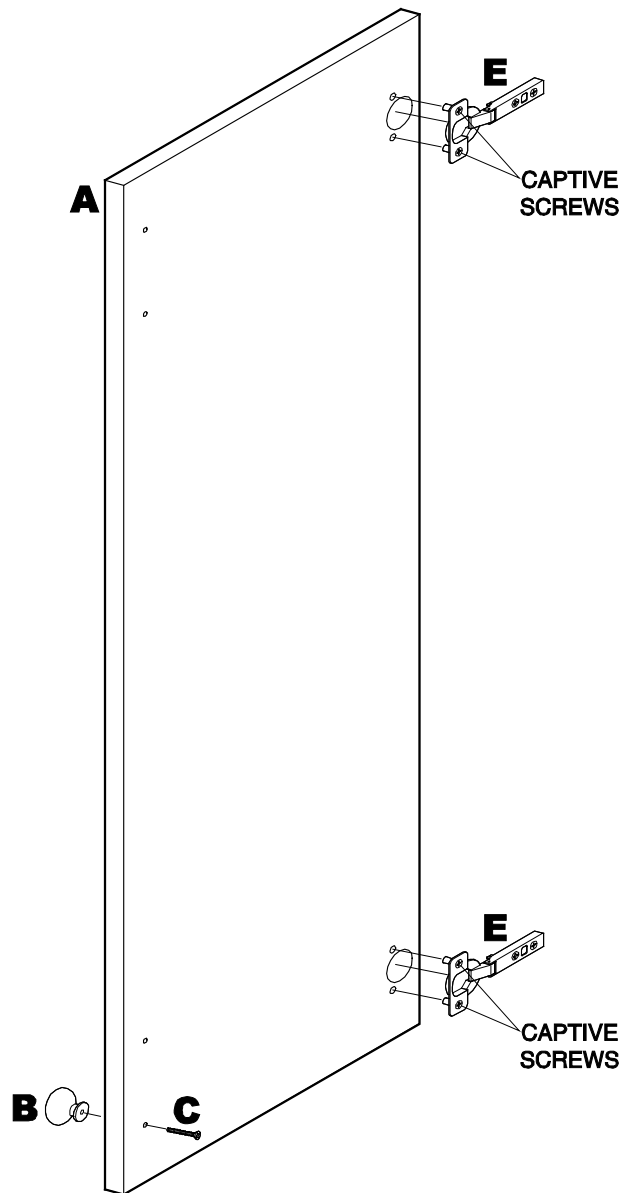
TOOLS REQUIRED
(not included)

- Rubber Mallet
- Phillips Screwdriver
- Drill, 5/32" bit size

1.1 Lay parts out on a protective surface to prevent damage. *Tip: Spread out the cardboard packaging to use as a protective surface.*

1.2 Inventory parts against the Parts List. Make sure all parts are present before proceeding.

2

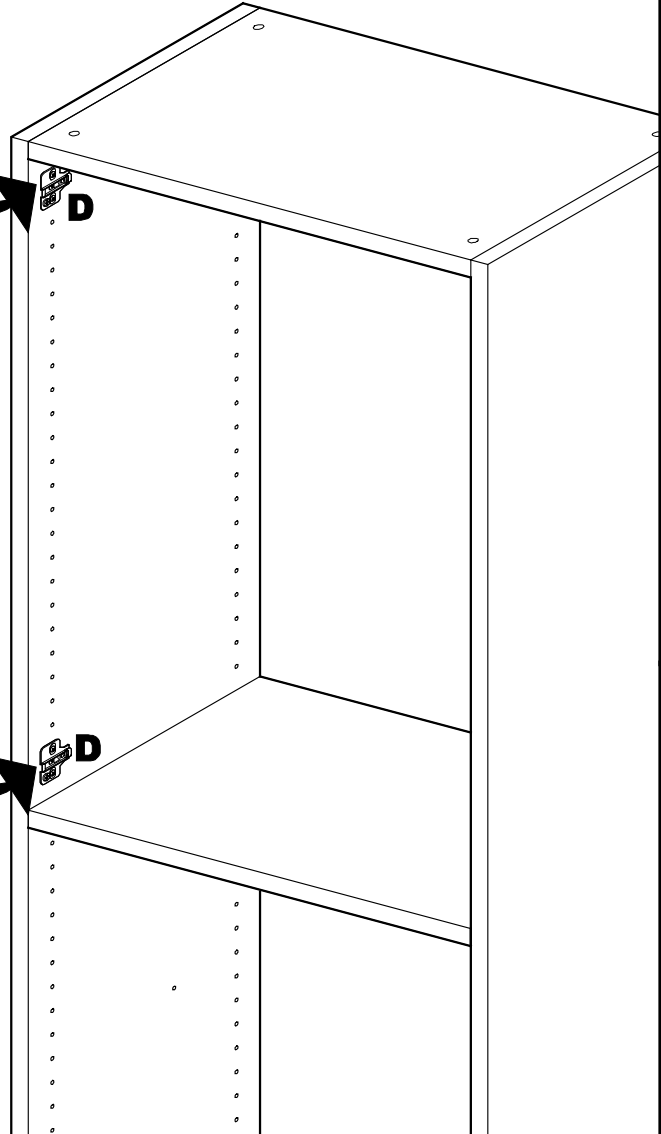
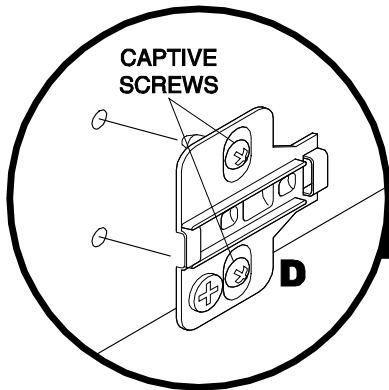
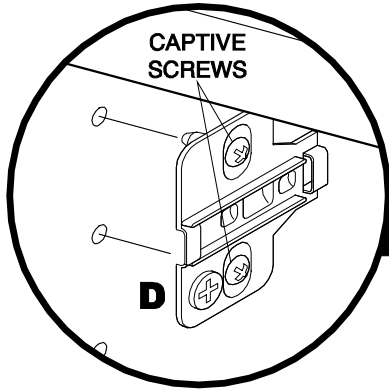


2.1 Align rear plugs and hinge cup on Hinge (E) with recesses in Door (A), then press Hinge onto Door until flush. Tighten captive screws to expand plugs and secure Hinge in place.

If necessary, use a rubber mallet to tap hinge into place before tightening captive screws.

2.2 Install Door Knob (B) on Door (A) and secure with one 1.5" Screw (C). Alternatively, you can install a 96mm Door Pull (purchased separately).

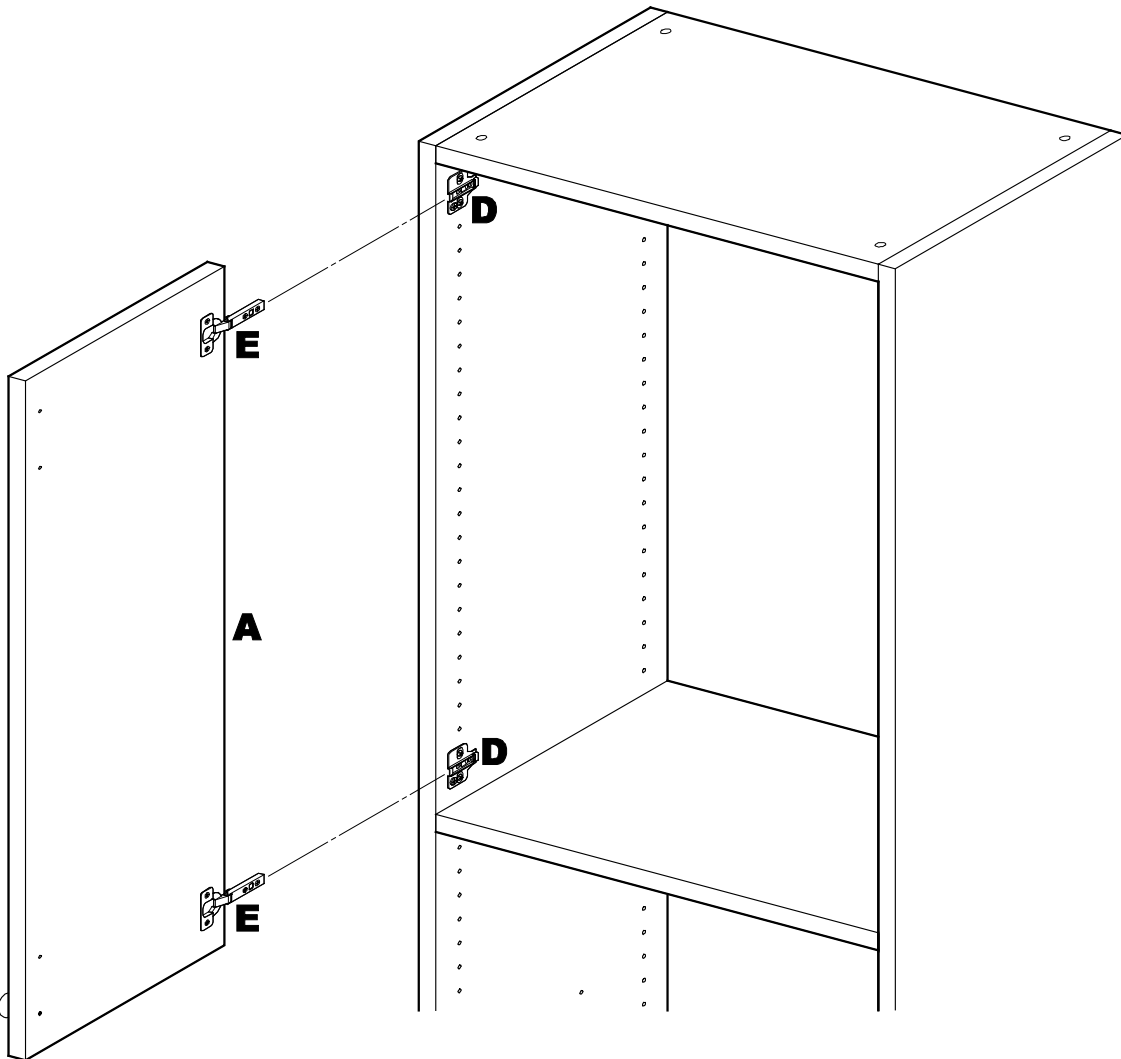
3



3.1 Align rear plugs on Hinge Plates (D) with two upper and lower holes in Tower, then press Hinge Plates onto Tower until flush. Tighten captive screws to expand plugs and secure Hinge Plates in place.

If necessary, use a rubber mallet to tap Hinge Plates into place before tightening captive screws.

4



4.1 Align Hinges (E) on Door (A) with Hinge Plates (D) in Tower, then slide onto Hinge Plates. Make sure hook on bottom of each Hinge engages raised edge of Hinge Plate, then press Hinge onto Hinge Plate until Hinge snaps in place.

ADJUSTS POSITION OF HINGE
IN OR OUT (DEPTH)

ADJUSTS POSITION OF
HINGE SIDE TO SIDE

PRESS TO RELEASE HINGE
FROM HINGE PLATE

ADJUSTS POSITION OF
HINGE UP AND DOWN

