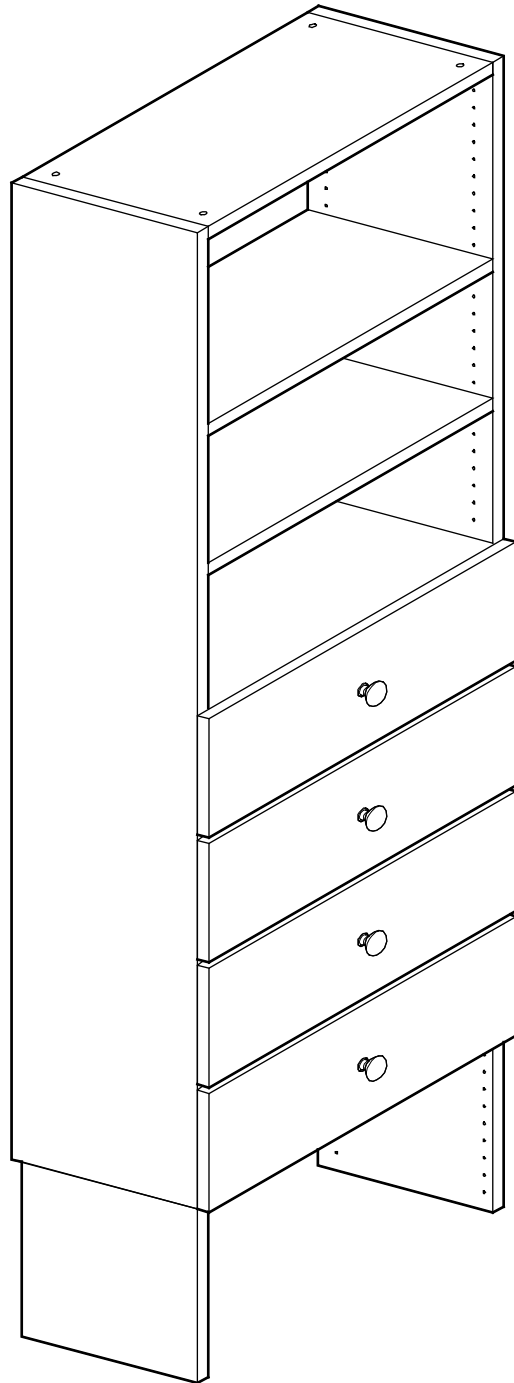
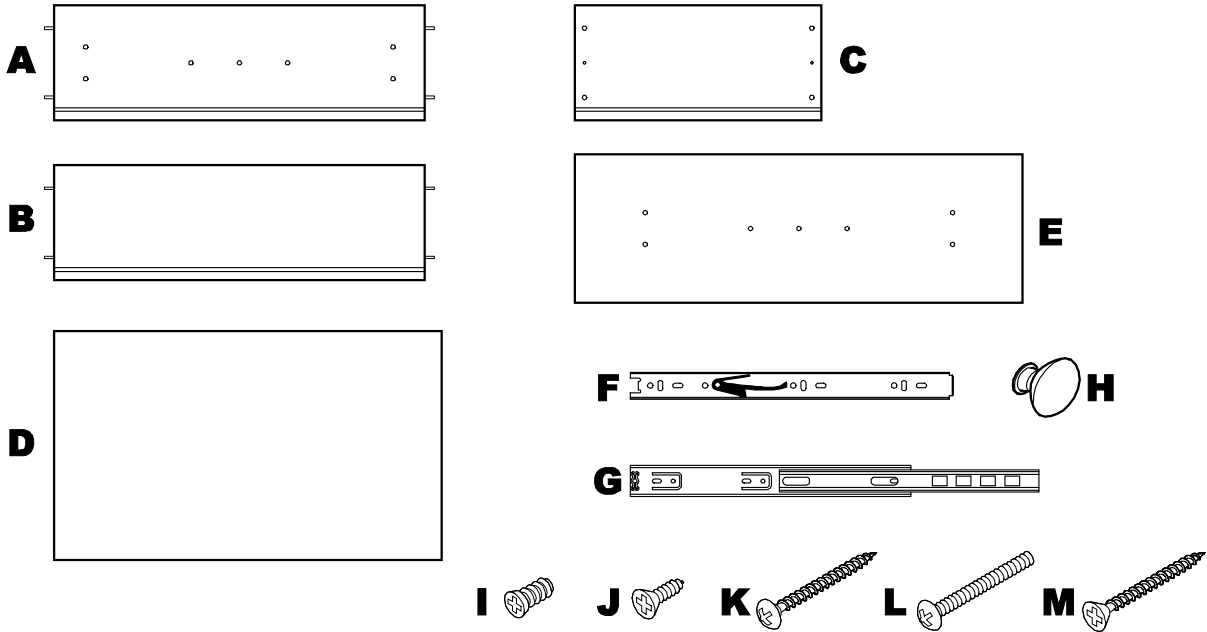


Drawer Kits

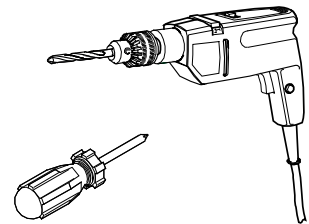


1



PARTS LIST

- | | |
|--------------------------------------|--|
| A Drawer Panel, Front (Qty 2) | H Drawer Knob (Qty 2) |
| B Drawer Panel, Rear (Qty 2) | I Screw, Drawer Slide, 5/8" (Qty 8) |
| C Drawer Panel, Side (Qty 4) | J Screw, Shelf Slide, 5/8" (Qty 8) |
| D Drawer Bottom (Qty 2) | K Screw, Drawer Front, 1.0" (Qty 8) |
| E Drawer Front (Qty 2) | L Screw, Drawer Knob, 1.5" (Qty 2) |
| F Drawer Slide (Qty 4) | M Screw, Drawer Side, 1.0" (Qty 8) |
| G Shelf Slide (Qty 4) | |



TOOLS REQUIRED
(not included)

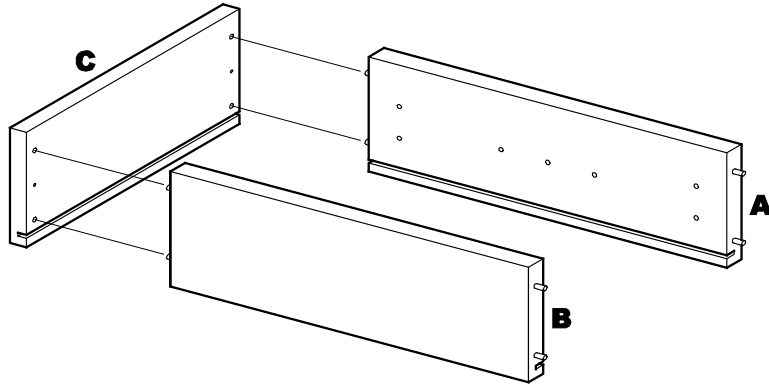
Drill, 5/32" bit size
Phillips Screwdriver

NOTE: Each set of Drawer Slides (C) and Shelf Slides (D) are shipped assembled. To separate, lift the plastic catch on the Drawer Slide and pull the Slide out of the Shelf Slide.

1.1 Lay parts out on a protective surface to prevent damage. *Tip: Spread out the cardboard packaging to use as a protective surface.*

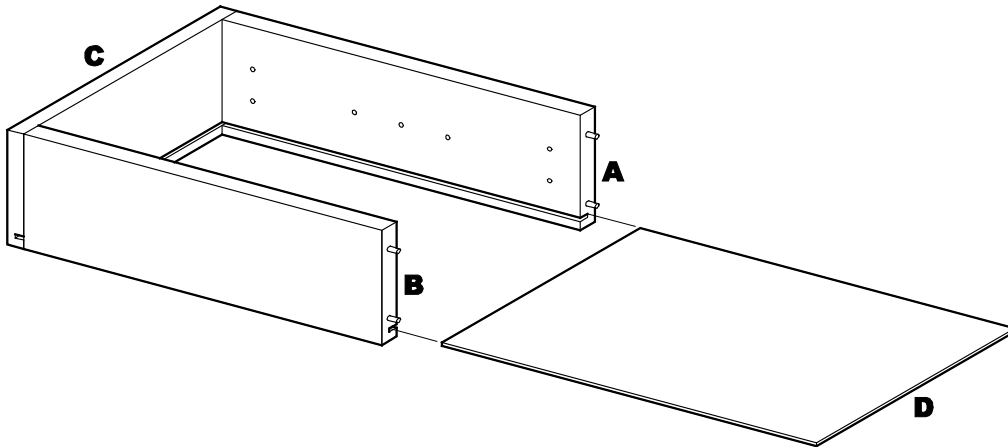
1.2 Inventory parts against the Parts List. Make sure all parts are present before proceeding.

2



2.1 Align Wood Dowels (pre-installed) in Front Drawer Panel (A) and Rear Drawer Panel (B) with holes in one Side Drawer Panel (C), and press components together until flush.

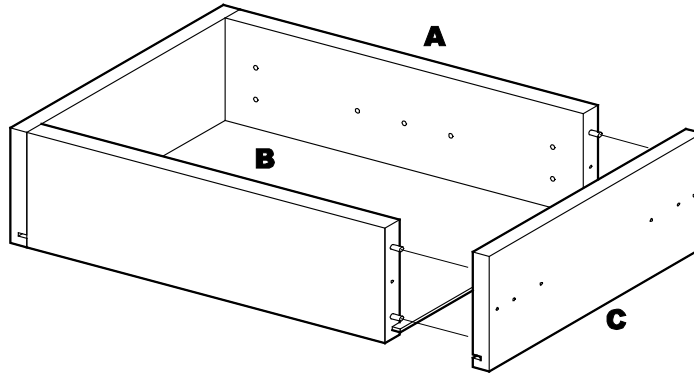
3



NOTE: Be sure to install Drawer Bottom (D) with finished side facing up.

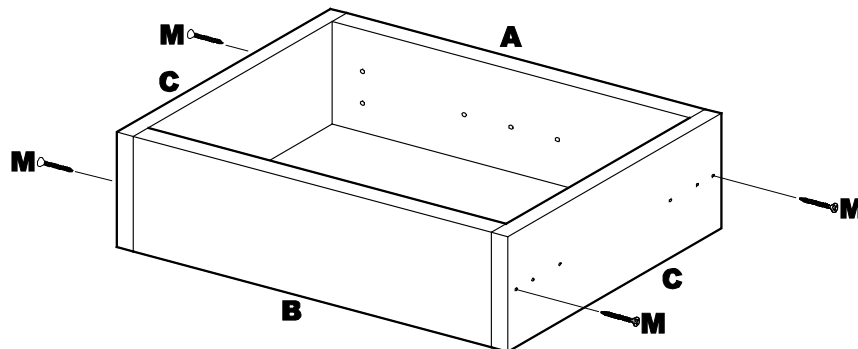
3.1 Align Drawer Bottom (D) with slots in Front Drawer Panel (A) and Rear Drawer Panel (B) then slide Drawer Bottom into assembled Drawer Panels until Drawer Bottom is seated against Side Drawer Panel (C).

4



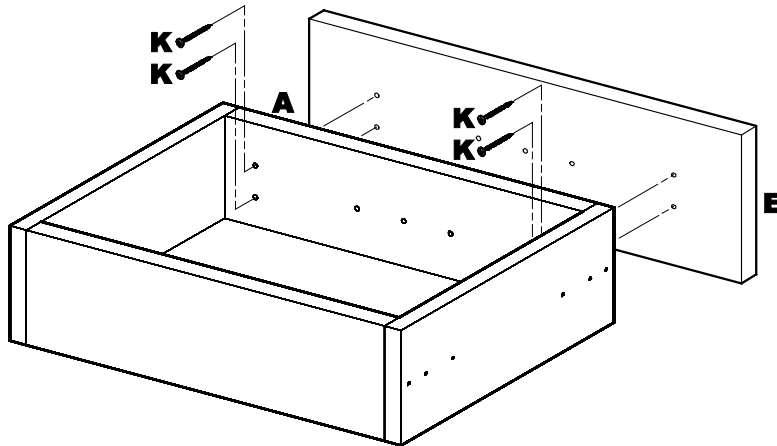
4.1 Align Side Drawer Panel (C) with Wood Dowels (pre-installed) in Front Drawer Panel (A) and Rear Drawer Panel (B) and press Side Drawer Panel (C) onto assembled components until flush.

5



5.1 Secure Side Drawer Panels (C) to Front Drawer Panel (A) and Rear Drawer Panel (B) using four 1.0" Drawer Side Screws (M).

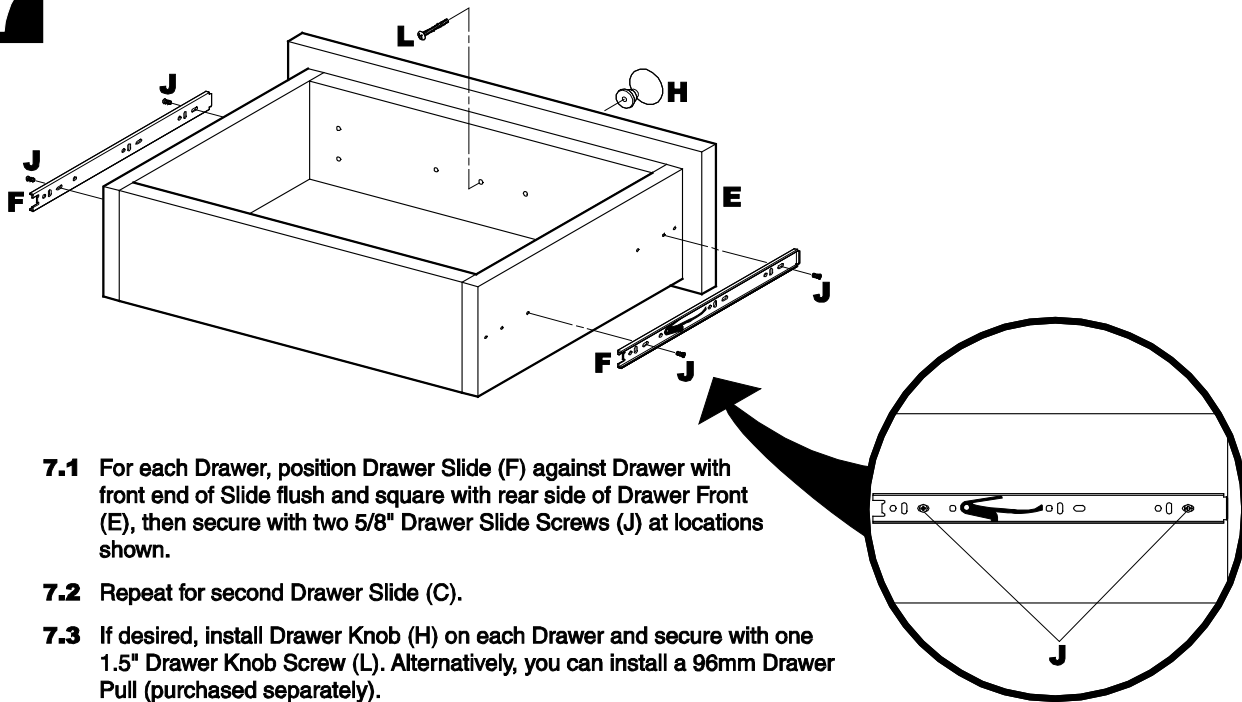
6



NOTE: DO NOT overtighten Screws (K) or surface of Drawer Front (B) may become dimpled.

- 6.1** Position Drawer Front (E) on each assembled Drawer and secure to Front Drawer Panel (A) with two 1.0" Drawer Front Screws (K).

7



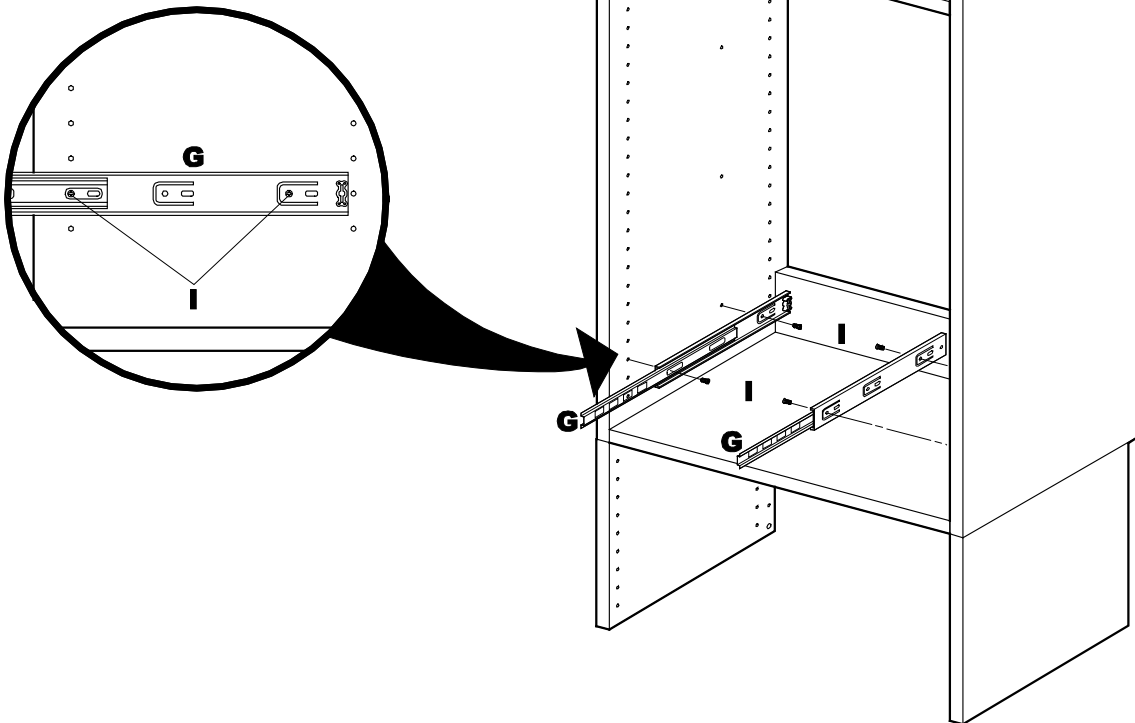
- 7.1** For each Drawer, position Drawer Slide (F) against Drawer with front end of Slide flush and square with rear side of Drawer Front (E), then secure with two 5/8" Drawer Slide Screws (J) at locations shown.
- 7.2** Repeat for second Drawer Slide (C).
- 7.3** If desired, install Drawer Knob (H) on each Drawer and secure with one 1.5" Drawer Knob Screw (L). Alternatively, you can install a 96mm Drawer Pull (purchased separately).

8

8.1 For each Drawer, position Shelf Slide (G) over pre-drilled holes in shelf side panel, then secure with two 5/8" Shelf Slide Screws (I) at locations shown.

8.2 Repeat for second Shelf Slide (G).

Tip: For best results, use a small level to ensure Shelf Slides (G) are properly positioned before tightening.



9

9.1 Slide each Drawer onto Shelf Slides until slides latch.

