



The Vista collection
Assembly & install guide

Understanding the Modular Assembly and Installation Process

1. Your unit may be shipped in more than one box, as described below.
2. The Hardware and Rods are packaged in the box containing the Fixed Shelves and Cleats.
3. Some adjustable shelves, drawers and doors will be packaged in additional boxes.
4. Lastly, if you have purchased an optional Leg Extension Kit, these parts are packaged in an additional box.
5. If you need any assistance, please email us @ support@modularclosets.com or call as and we will gladly assist you. Modular Closets prides ourselves over our customer service.

About Modular Closets

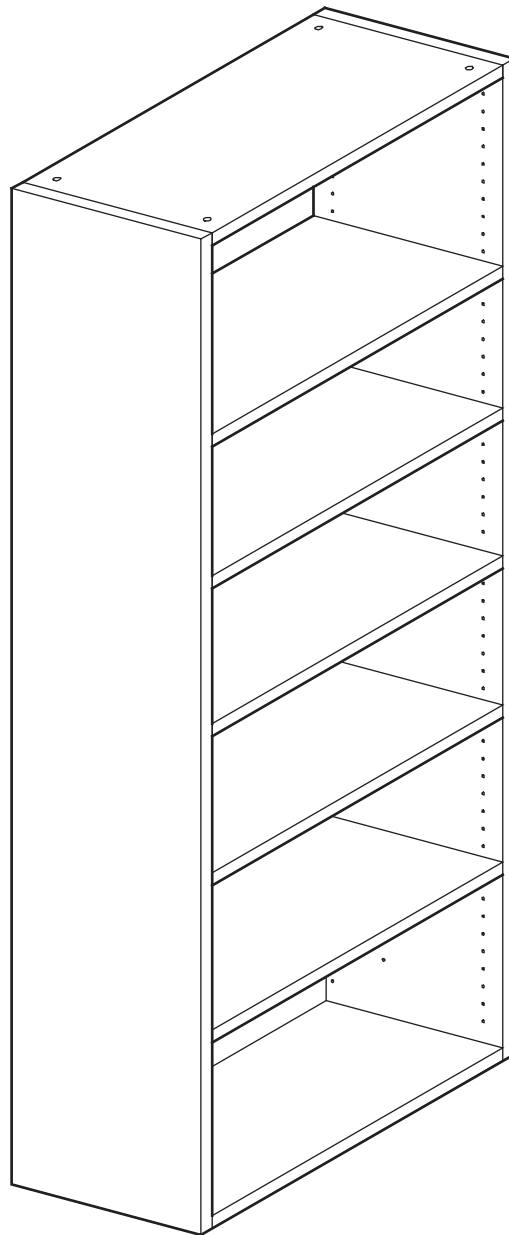
In 2015, Modular Closets began production of the product that made the Modular Closet possible - our closet modules. Using our modules, homeowners can achieve a truly customized look for a fraction of the price of a standard closet. The simplicity of our modules makes them ridiculously easy to assemble and install, and the assembly process is similar for all modules. All structural parts include pre-drilled holes, and with our simple, user-friendly cam lock systems, most modules can be assembled with nothing more than a Philips screwdriver.

1-844-969-4247
support@modularclosets.com

Contents

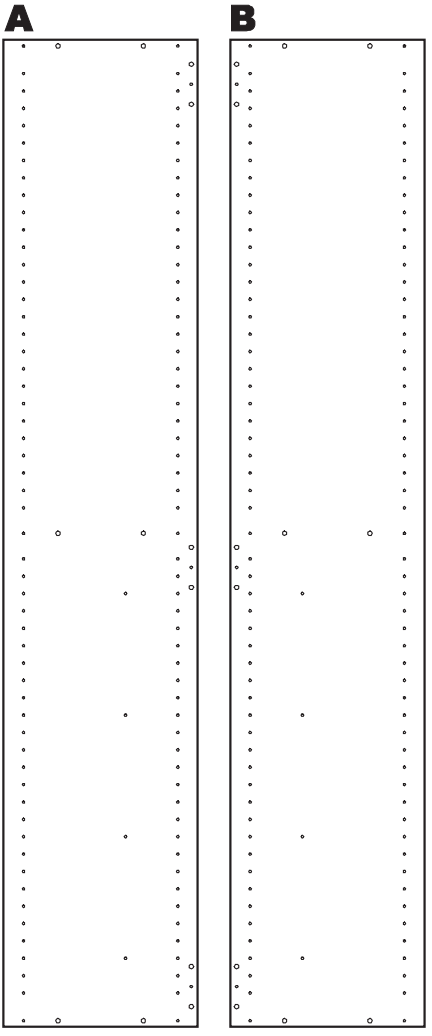



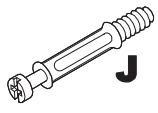


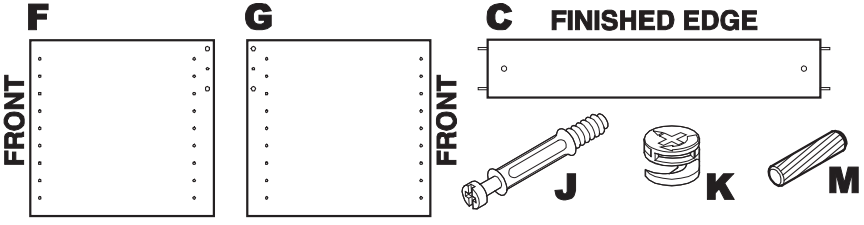

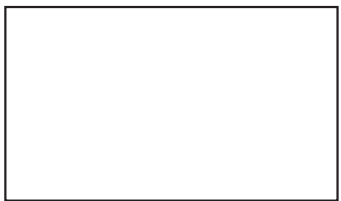
Shelf Tower Unit	3
Short Tower	13
Hanging Tower Unit	20
Tall Hanging Unit	32
Medium Hanging Unit	38
Double Hanging Unit	47
Drawer Kits	55
Door Kits	62

Shelf Tower Unit



1A

PARTS LIST

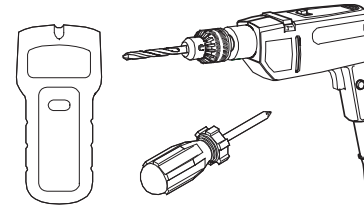
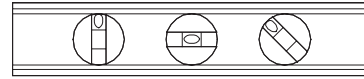
<p>BOX 1</p>  <p>A Left Side Panel (Qty 1) B Right Side Panel (Qty 1)</p>	<p>BOX 2</p> <p>C FINISHED EDGE</p>  <p>D FINISHED EDGE</p>  <p>E FINISHED EDGE</p>     <p>C Rear Hanging Cleat (Qty 3) D Set Shelf (Qty 3) E Adjustable Shelf (Qty 2) J Cam Post (Qty 18) K Camlock (Qty 18) N Screw, Square Drive, 2.5" (Qty 6)</p>
<p>BOX 4 - Leg Extension Kit (Optional)</p>  <p>F Left Leg Extension (Qty 1) G Right Leg Extension (Qty 1)</p>	<p>BOX 3</p>  <p>E FINISHED EDGE</p>  <p>E Adjustable Shelf (Qty 2) L Shelf Pins (Qty 16)</p> <p>C Rear Hanging Cleat (Qty 1) F Left Leg Extension (Qty 1) G Right Leg Extension (Qty 1) J Cam Post (Qty 2) K Camlock (Qty 2) M Wood Dowels (Qty 4)</p>

1B

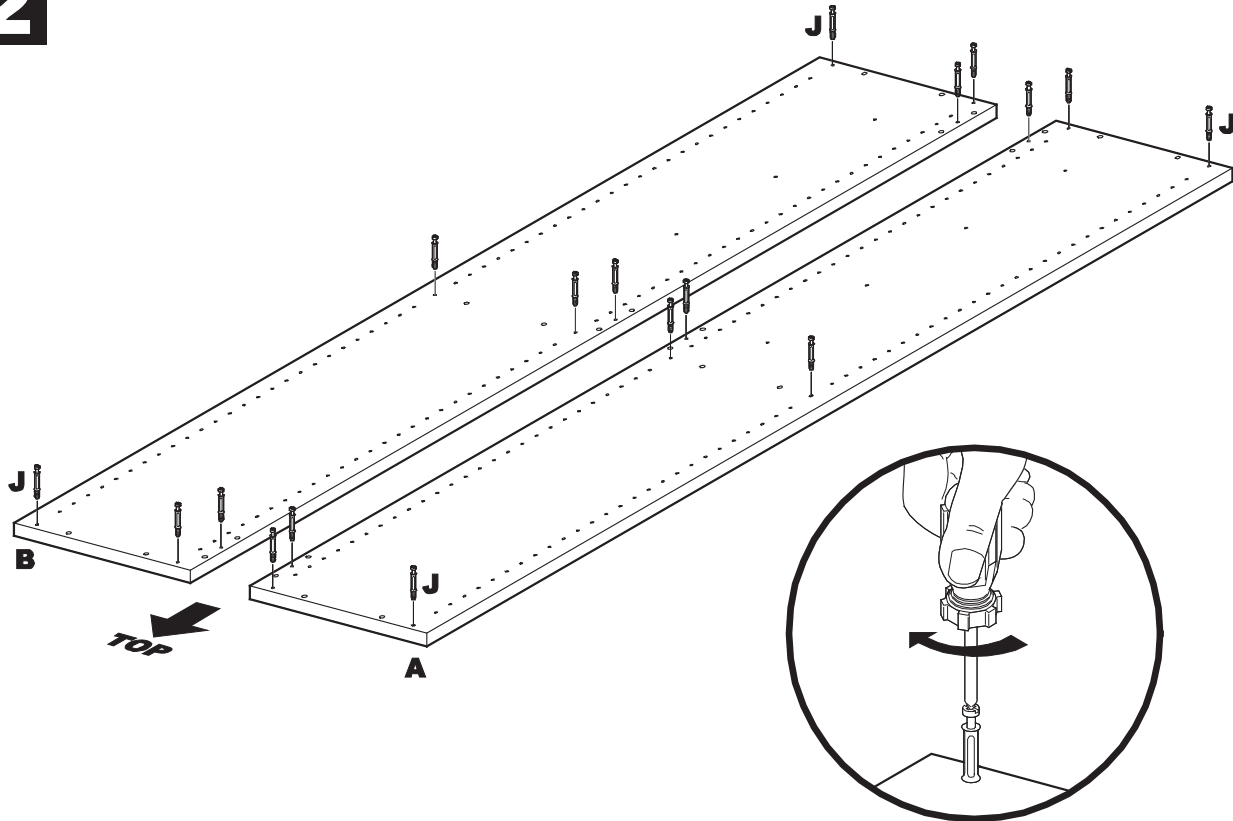
- 1.1** Lay parts out on a protective surface to prevent damage.
Tip: Spread out the cardboard packaging to use as a protective surface.
- 1.2** Inventory parts against the Parts List. Make sure all parts are present before proceeding.

TOOLS REQUIRED (not included unless noted)

- Level
- Stud Finder
- Drill, 3/32" bit size
- Phillips Screwdriver
- Drill Bit, Square, #2

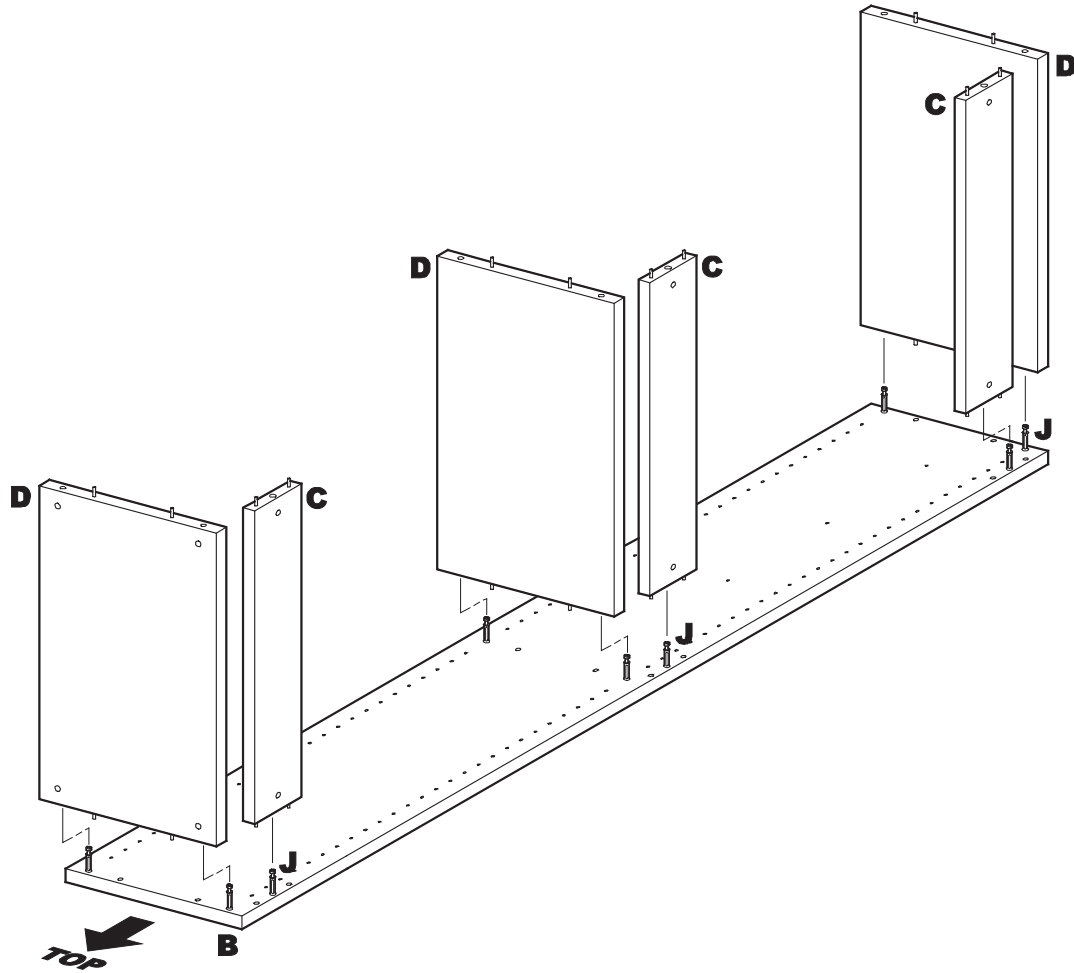


2



- 2.1** Install one Cam Post (J) into each of the nine holes on Left Side Panel (A) and Right Side Panel (B). Tighten until Cam Posts are seated against Side Panels.

3



- 3.1** Assemble Set Shelves (D) and Rear Hanging Cleats (C) onto Right Side Panel (B) by sliding the Shelves and Cleats onto the Cam Posts (J) on Side Panel. BE SURE wood dowels in Shelves and Cleats engage drilled holes in Side Panel, and all parts are pressed flush against Side Panel.

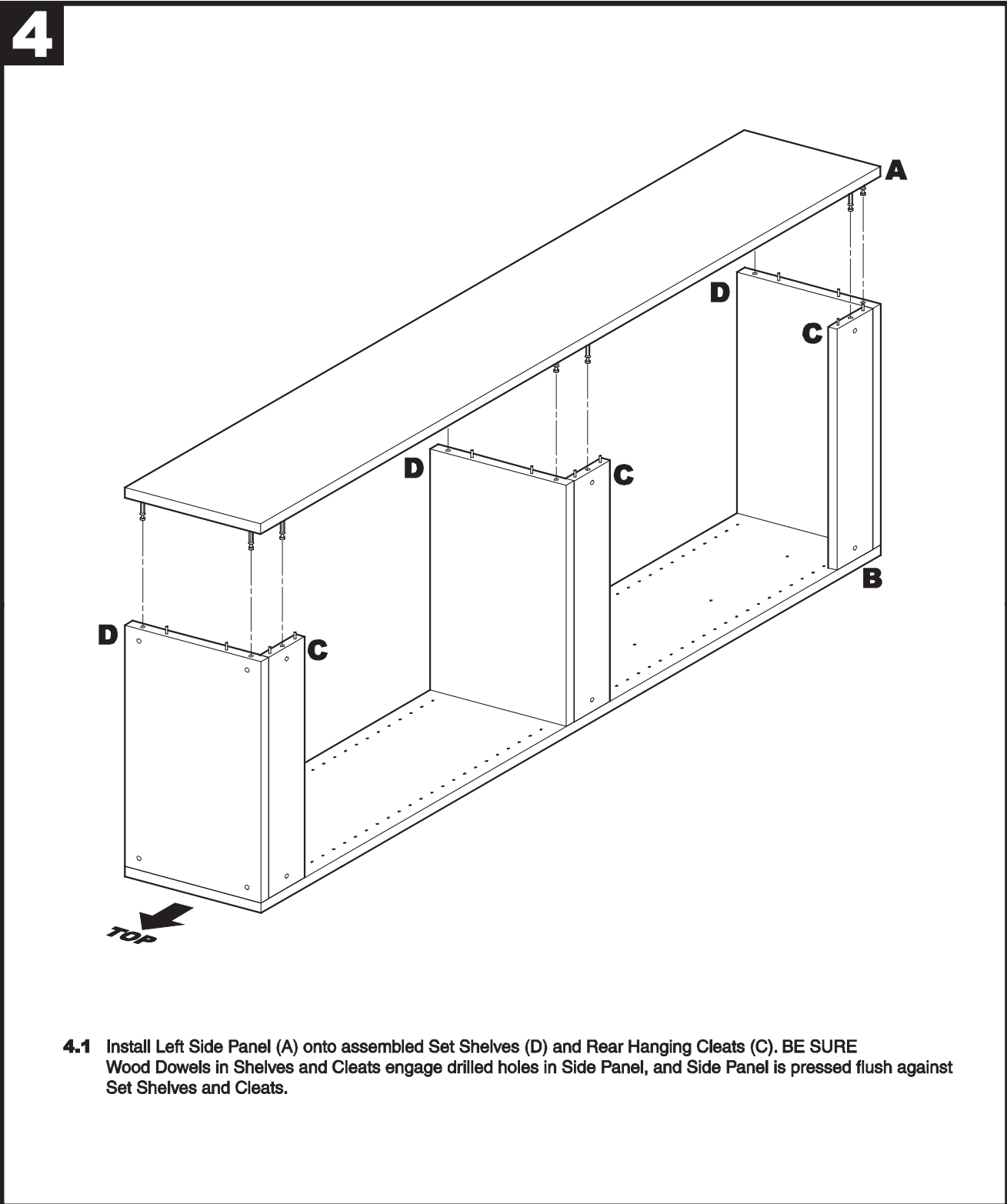
IMPORTANT NOTES

Install Set Shelves (D) with finished edges facing forward (toward front of unit).

Install Rear Hanging Cleats (C) with holes for Cam Locks facing the rear of the unit and the unfinished edge against the Set Shelf (D).

Install upper Set Shelf (D) with holes for Cam Locks facing the top of the unit.

Install middle and lower Set Shelves (D) with holes for Cam Locks facing the bottom of the unit.



5

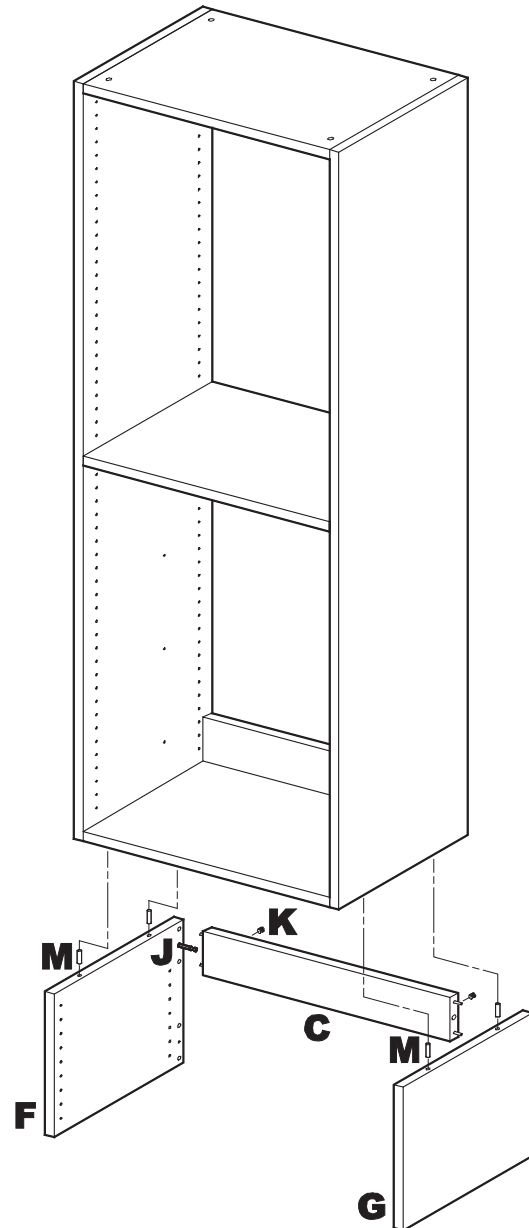
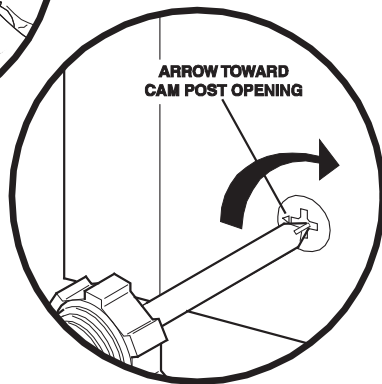
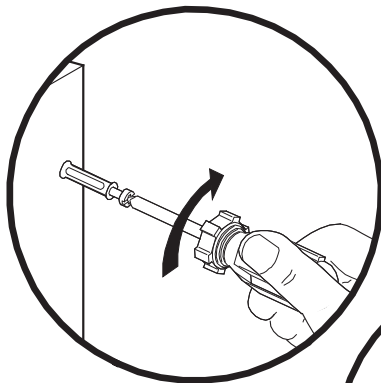
5.1 Insert Camlocks (K) in holes in Set Shelves (D) and Rear Hanging Cleats (C), with arrow pointing toward Cam Post opening. Be sure Camlocks engage Cam Posts, and are fully seated in Shelves and Cleats.

5.2 Tighten Camlocks (K) clockwise to lock.

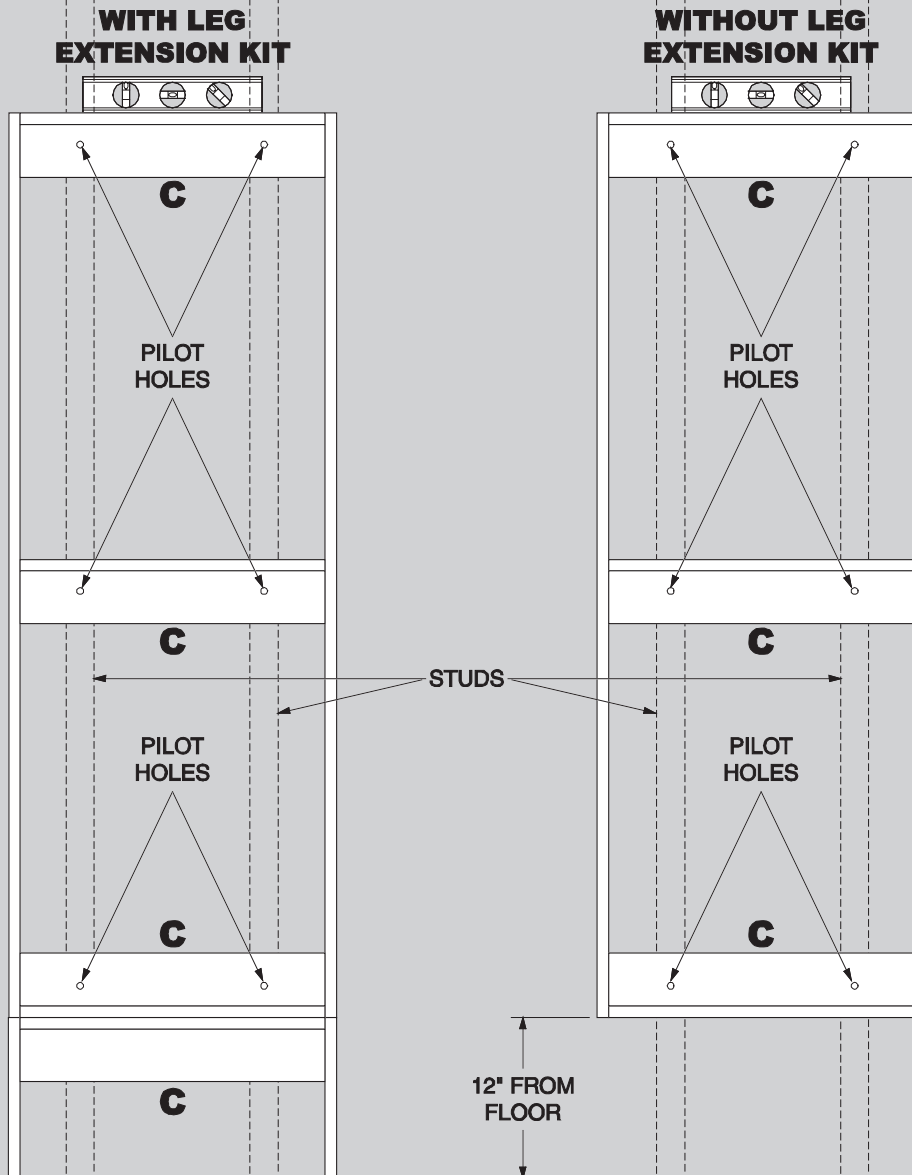
6

**FOR LEG EXTENSION KIT INSTALLATIONS ONLY
Leg Extension Kit purchased separately)**

- 6.1** Insert four Wood Dowels (M) into holes in edges of Left Leg Extension (F) and Right Leg Extension (G).
- 6.2** Install one Cam Post (J) each into Left Leg Extension (F) and Right Leg Extension (G). Tighten until Cam Posts are seated against Leg Extensions.
- 6.3** Assemble Left Leg Extension (F) and Right Leg Extension (G) onto Rear Hanging Cleat (C) by sliding the Cam Posts (J) into Cleat. BE SURE wood dowels in Cleat engage drilled holes in Leg Extensions, and all parts are pressed flush against each other.
- 6.4** Insert Camlocks (K) in holes in Rear Hanging Cleat (C), with arrow pointing toward Cam Post opening. BE SURE Camlocks engage Cam Posts, and are fully seated in Cleat. Tighten Camlocks (K) clockwise to lock.
- 6.5** Align Wood Dowels (M) in assembled Leg Extensions with holes in Shelf Tower, and press Tower and Leg Extensions together.



7



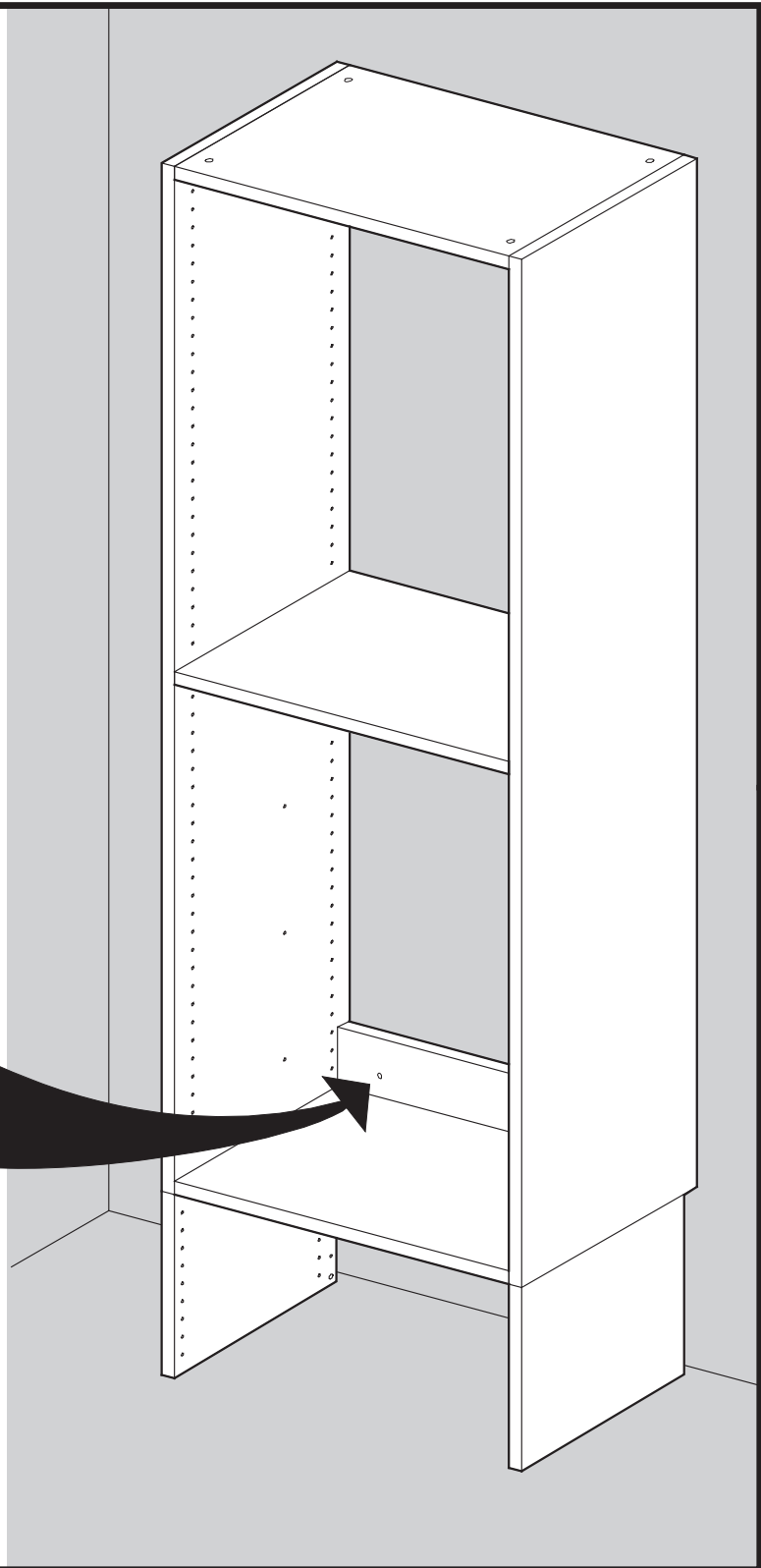
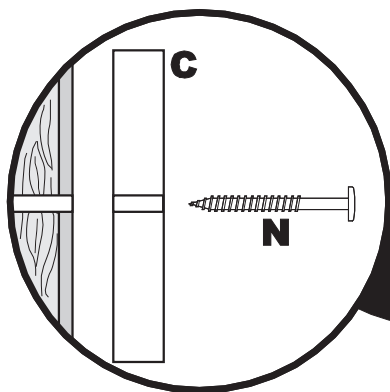
INSTALLATION

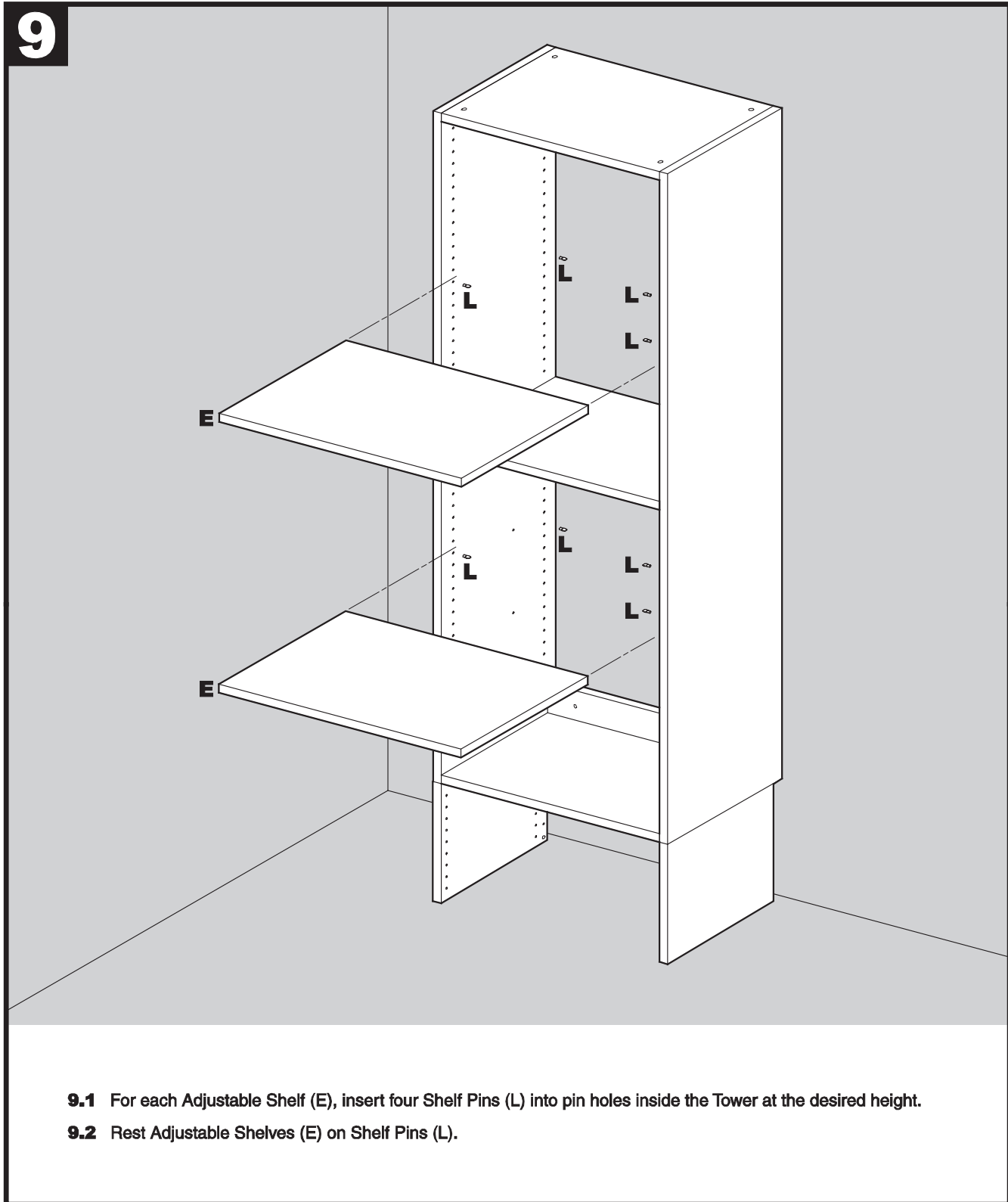
- 7.1** Determine the mounting location for the unit. The unit can be installed with or without the optional Leg Extension Kit (purchased separately) as shown in step 6.
- 7.2** Using a stud finder, locate studs to which the unit will be secured. Mark stud locations with a pencil.
- 7.3** With the unit positioned at the desired location, level the unit, then drill pilot holes through Rear Hanging Cleats (C),

NOTE: For units under 25-1/2 inches wide, it is likely that only one stud will pass through the unit. In these cases, use two screws through each Rear Hanging Cleat.

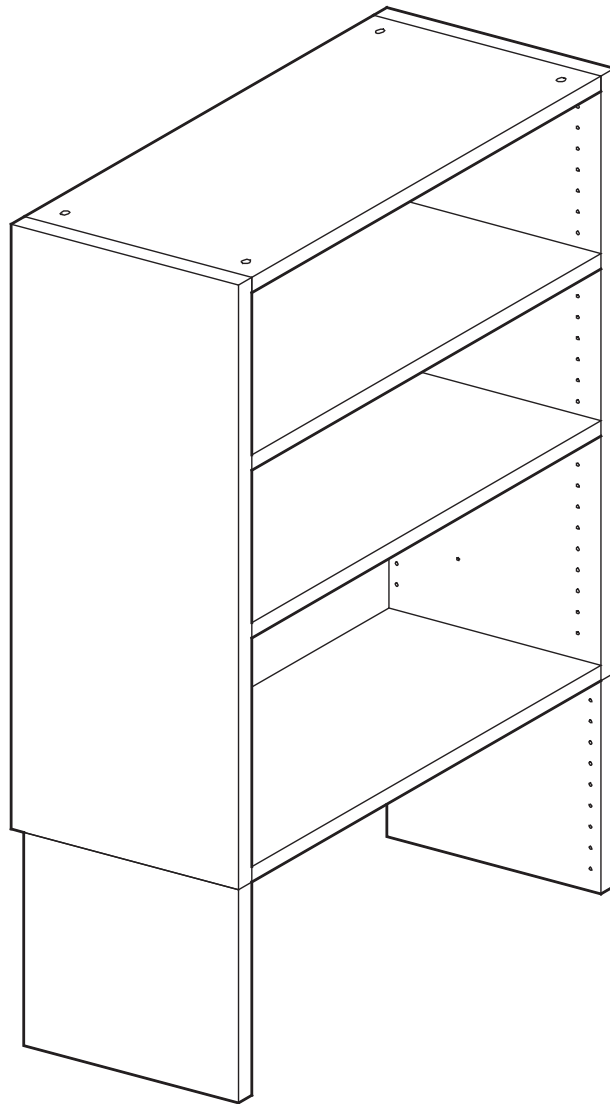
8

8.1 Secure Rear Hanging Cleats (C) to studs using 2.5" Screws (N). Tighten Screws using Square Drill Bit and Drill.





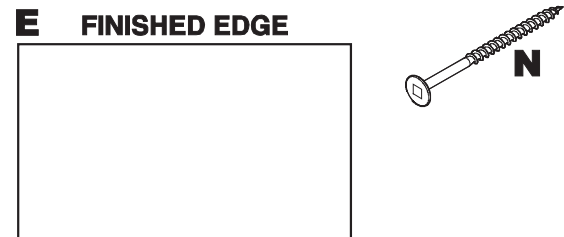
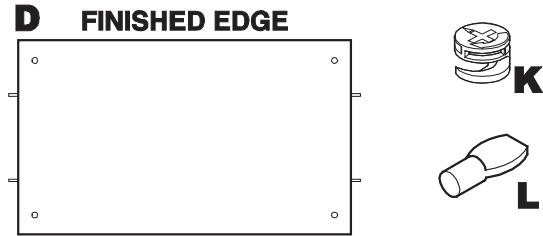
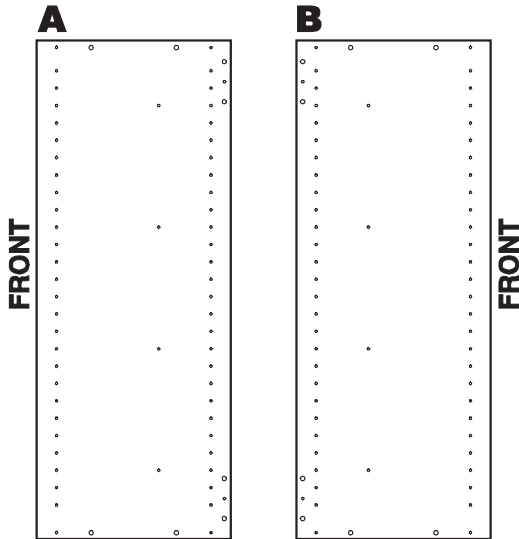
Short Tower



1A

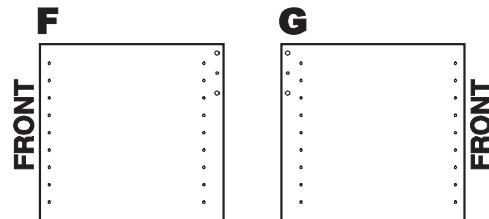
PARTS LIST

BOX 1



- A** Left Side Panel (Qty 1)
- B** Right Side Panel (Qty 1)
- C** Rear Hanging Cleat (Qty 2)
- D** Set Shelf (Qty 2)
- E** Adjustable Shelf (Qty 2)
- J** Cam Post (Qty 12)
- K** Camlock (Qty 12)
- L** Shelf Pins (Qty 8)
- N** Screw, Square Drive, 2.5" (Qty 4)

BOX 2 Leg Extension Kit (Optional)

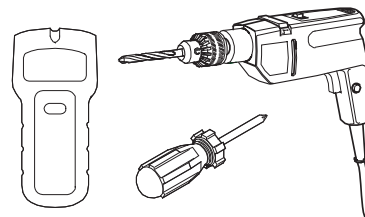
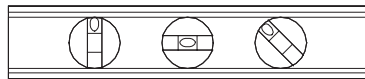


- C** Rear Hanging Cleat (Qty 1)
- F** Left Leg Extension (Qty 1)
- G** Right Leg Extension (Qty 1)
- J** Cam Post (Qty 2)
- K** Camlock (Qty 2)
- M** Wood Dowels (Qty 4)

TOOLS REQUIRED

(not included unless noted)

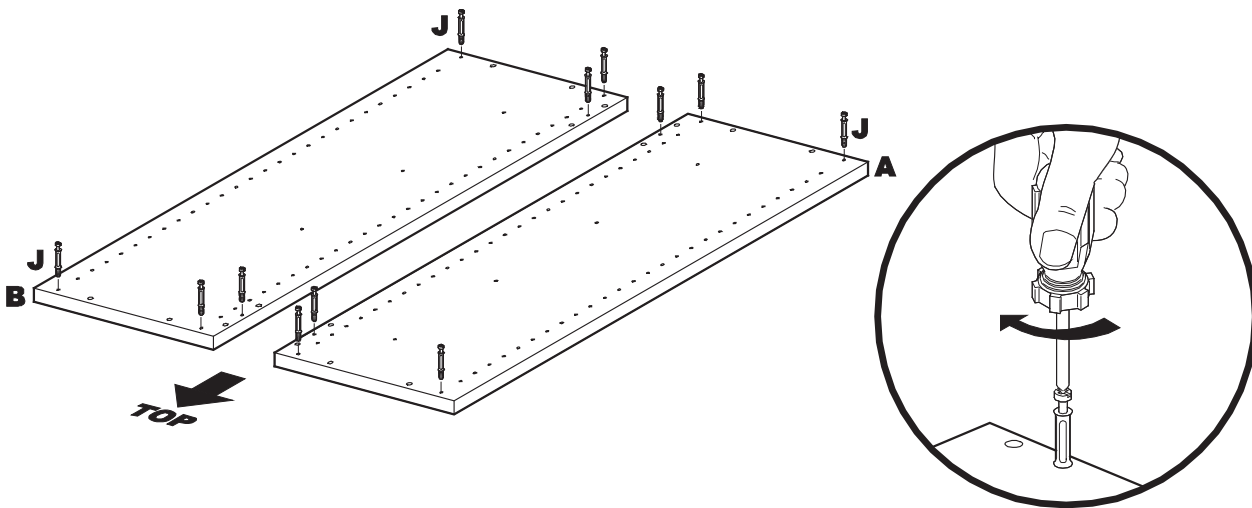
- Level
- Stud Finder
- Drill, 3/32" bit size
- Phillips Screwdriver
- Drill Bit, Square, #2



1B

- 1.1 Lay parts out on a protective surface to prevent damage. *Tip: Spread out the cardboard packaging to use as a protective surface.*
- 1.2 Inventory parts against the Parts List. Make sure all parts are present before proceeding.

2



- 2.1 Install one Cam Post (J) into each of the six holes on Left Side Panel (A) and Right Side Panel (B). Tighten until Cam Posts are seated against Side Panels.

NOTE: There are drilled holes in the bottom edge of Side Panels for installation of Leg Extensions.



3

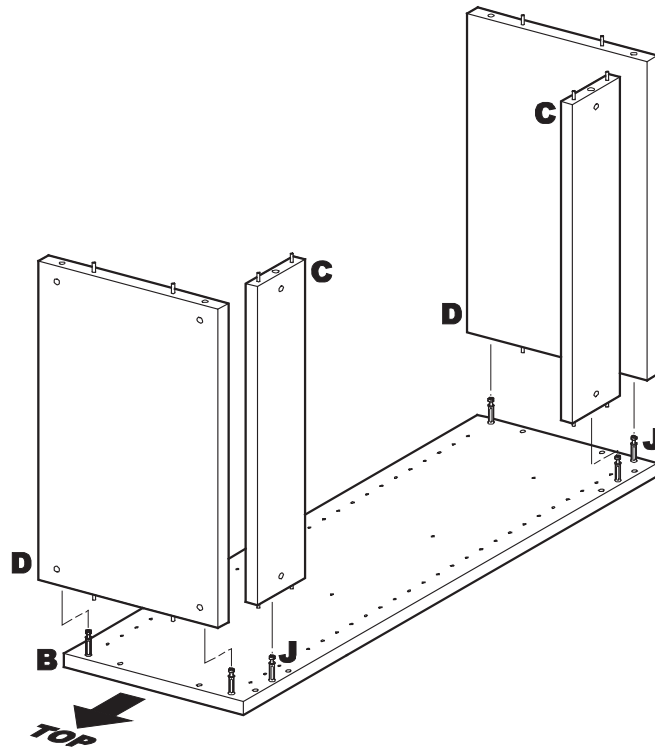
3.1 Assemble Set Shelves (D) and Rear Hanging Cleats (C) onto Right Side Panel (B) by sliding the Shelves and Cleats onto the Cam Posts (J) on Side Panel. BE SURE dowel pins in Shelves and Cleats engage drilled holes in Side Panel, and all parts are pressed flush against Side Panel.

IMPORTANT NOTES

Install Set Shelves (D) with finished edges facing forward (toward front of unit).

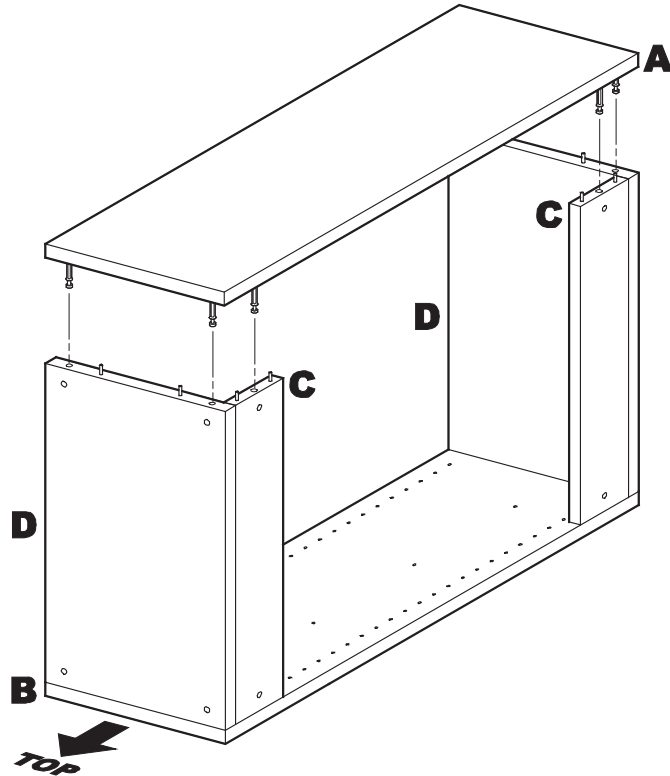
Install Rear Hanging Cleats (C) with holes for Cam Locks facing the rear of the unit and the unfinished edge against the Set Shelf (D).

Install lower Set Shelf(D) with holes for Cam Locks facing the bottom of the unit.

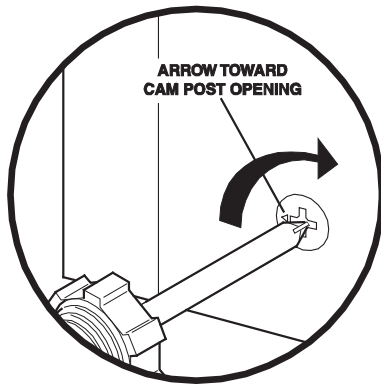


4

4.1 Install Left Side Panel (A) onto assembled Set Shelves (D) and Rear Hanging Cleats (C). BE SURE dowel pins in Shelves and Cleats engage drilled holes in Side Panel, and Side Panel is pressed flush against Set Shelves and Cleats.

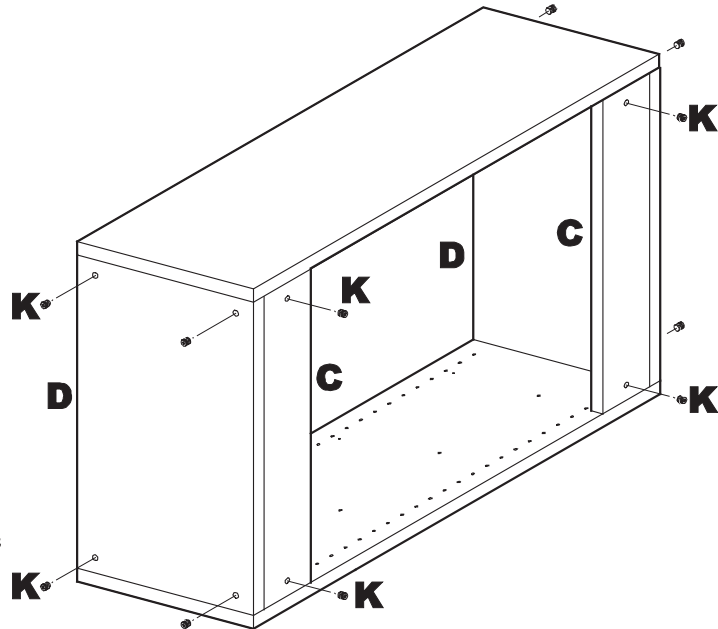


5



- 5.1** Insert Camlocks (K) in holes in Set Shelves (D) and Rear Hanging Cleats (C), with arrow pointing toward Cam Post opening. Be sure Camlocks engage Cam Posts, and are fully seated in Shelves and Cleats.

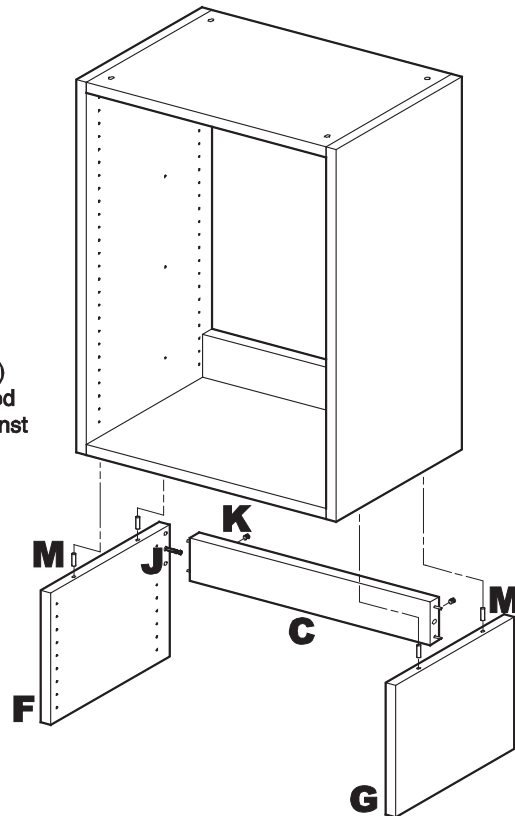
- 5.2** Tighten Camlocks (K) clockwise to lock.



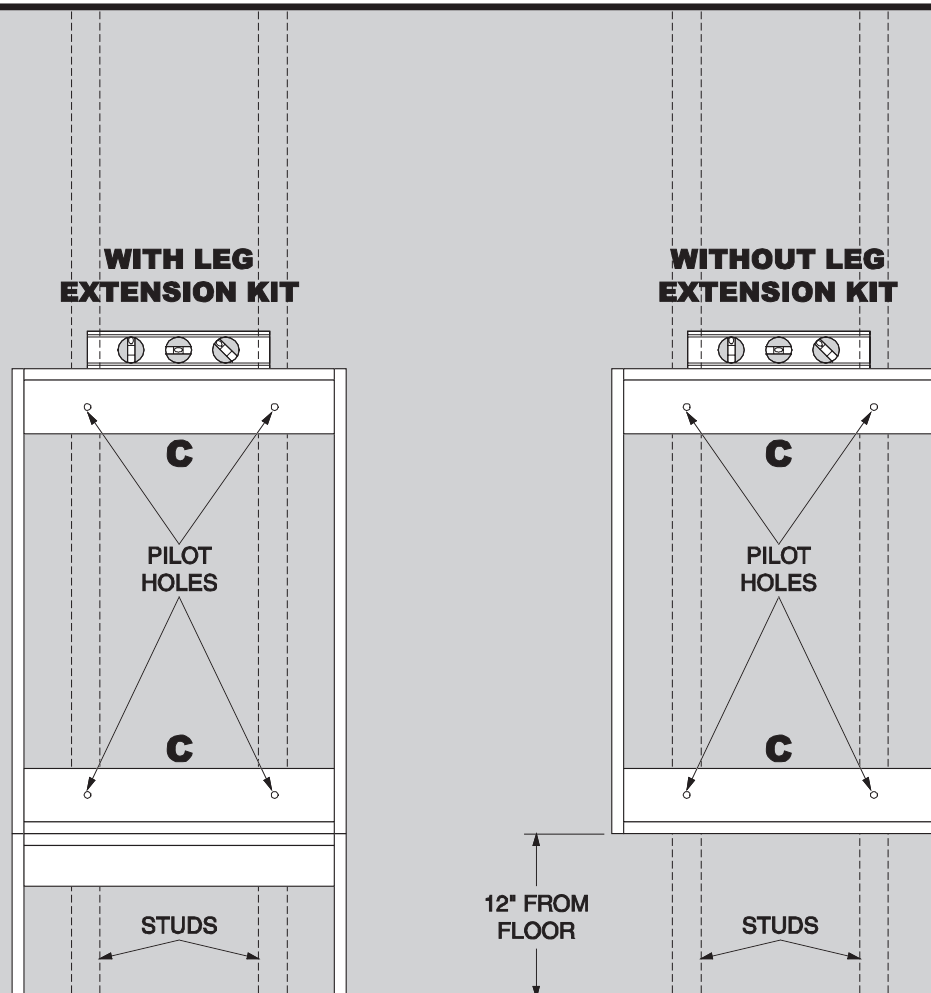
6

FOR LEG EXTENSION KIT INSTALLATIONS ONLY
Leg Extension Kit purchased separately)

- 6.1** Insert four Wood Dowels (M) into holes in edges of Left Leg Extension (F) and Right Leg Extension (G).
- 6.2** Install one Cam Post (J) each into Left Leg Extension (F) and Right Leg Extension (G). Tighten until Cam Posts are seated against Leg Extensions.
- 6.3** Assemble Left Leg Extension (F) and Right Leg Extension (G) onto Rear Hanging Cleat (C) by sliding the Cam Posts (J) into Cleat. BE SURE Wood Dowels (M) in Cleat engage drilled holes in Leg Extensions, and all parts are pressed flush against each other.
- 6.4** Insert Camlocks (K) in holes in Rear Hanging Cleat (C), with arrow pointing toward Cam Post opening. BE SURE Camlocks engage Cam Posts, and are fully seated in Cleat. Tighten Camlocks (K) clockwise to lock.
- 6.5** Align Wood Dowels (M) in assembled Leg Extensions with holes in Shelf Tower, and press Tower and Leg Extensions together.



7

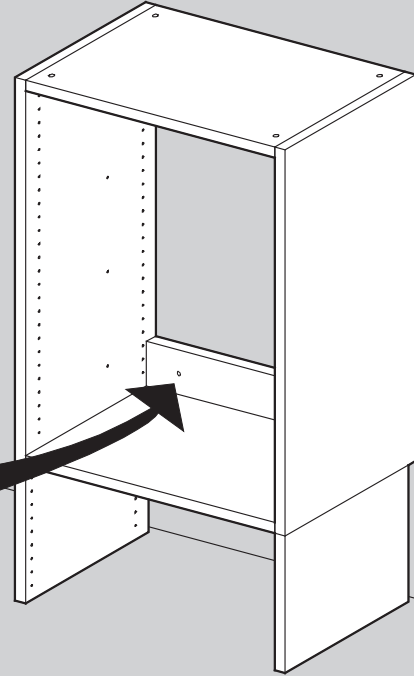
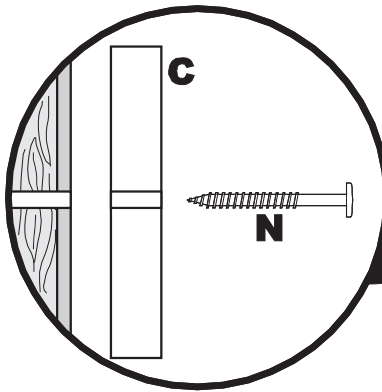


INSTALLATION

- 7.1** Determine the mounting location for the unit. The unit can be wall mounted or floor mounted (by installing the Floor Support Panels as shown in step 6).
 - 7.2** Using a stud finder, locate studs to which the unit will be secured. Mark stud locations with a pencil.
 - 7.3** With the unit positioned at the desired location, level the unit, then drill pilot holes through Rear Hanging Cleats (C),
- NOTE:** For units under 25-1/2 inches wide , it is likely that only one stud will pass through the unit. In these cases, use two screws (N) through each Rear Hanging Cleat.

8

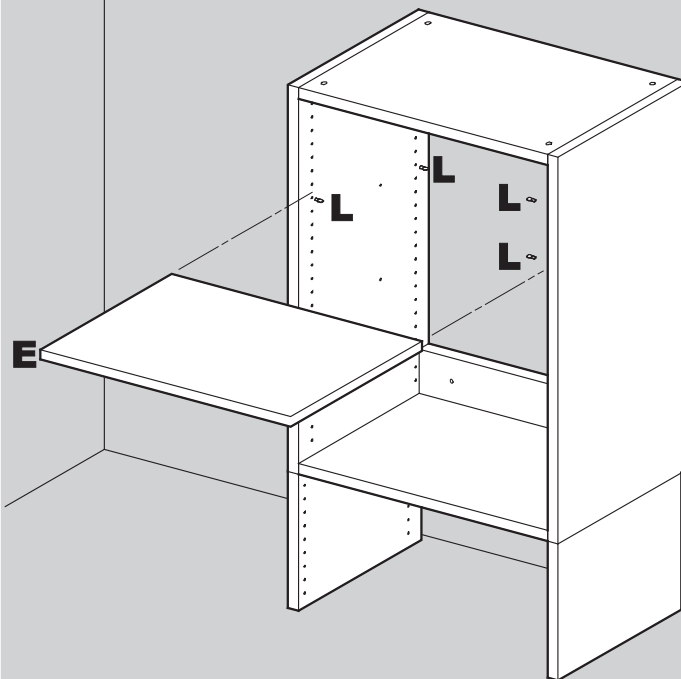
8.1 Secure Rear Hanging Cleat (C) to studs using 2.5" screws (N). Tighten Screws using Square Drill Bit and Drill.



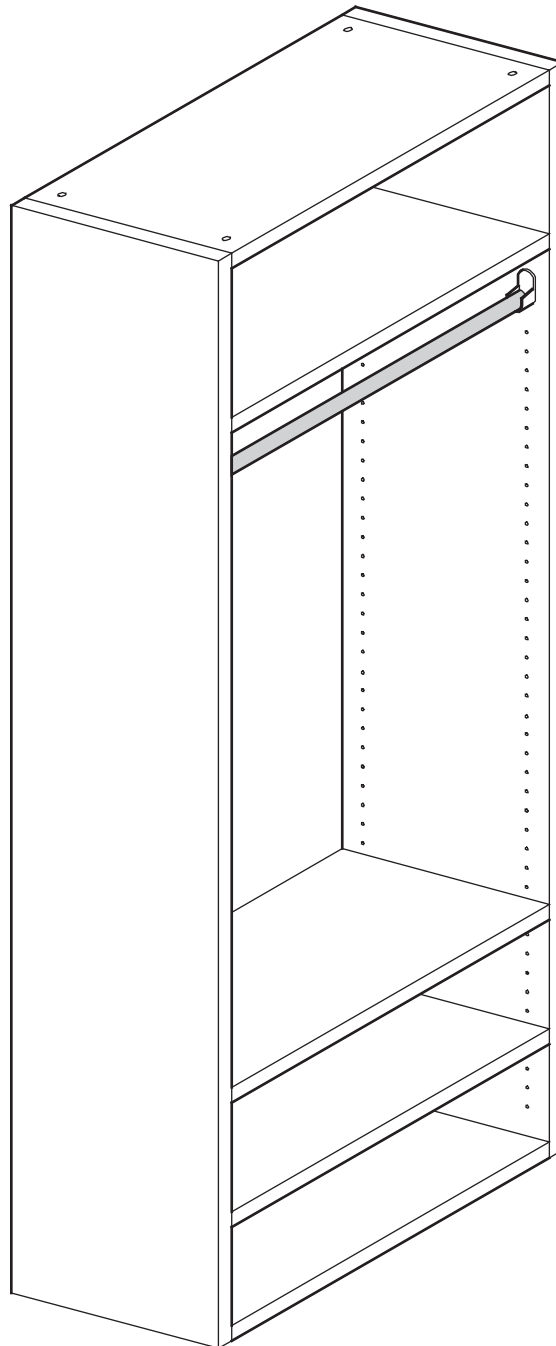
9

9.1 For each Adjustable Shelf (E), insert four Shelf Pins (L) into pin holes inside the Tower at the desired height.

9.2 Rest Adjustable Shelves (E) on Shelf Pins (L).



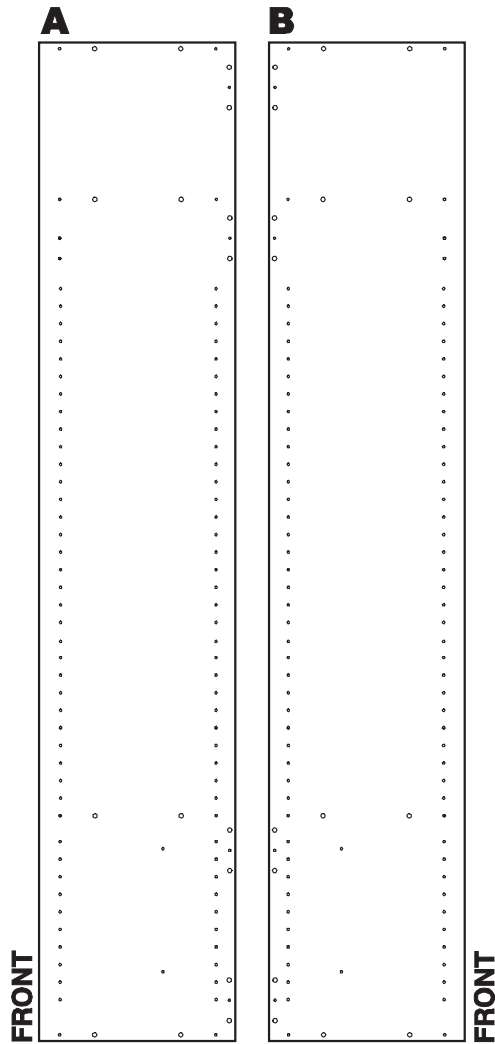
Hanging Tower Unit



1A

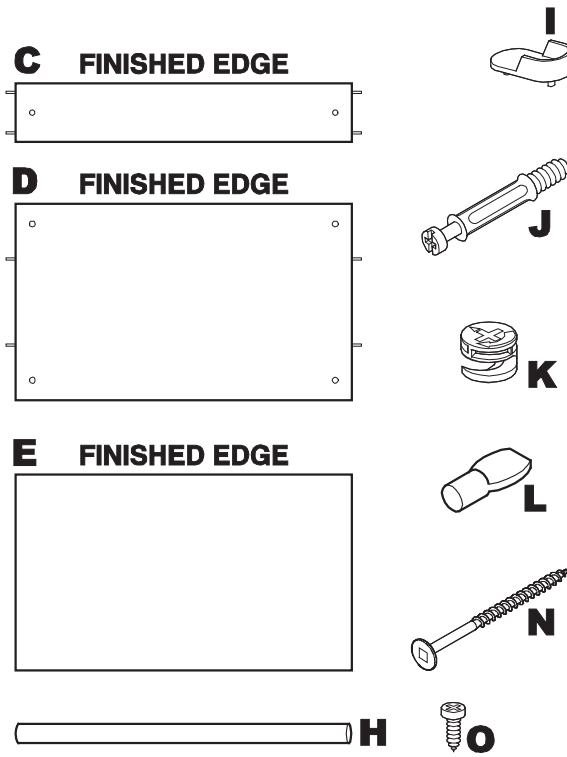
PARTS LIST

BOX 1



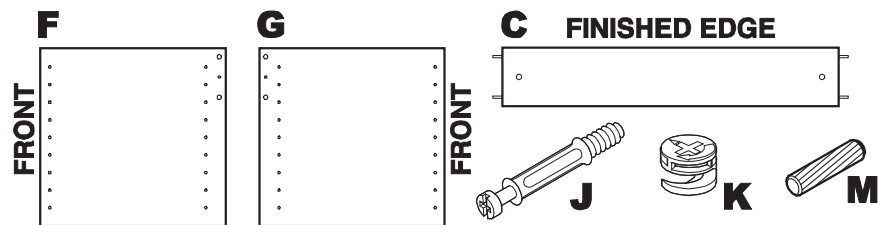
- A** Left Side Panel (Qty 1)
- B** Right Side Panel (Qty 1)

BOX 2



- C** Rear Hanging Cleat (Qty 4)
- D** Set Shelf (Qty 4)
- E** Adjustable Shelf (Qty 1)
- H** Hanging Rod (Qty 1)
- I** Rod Bracket (Qty 2)
- J** Cam Post (Qty 24)
- K** Camlock (Qty 24)
- L** Shelf Pins (Qty 4)
- N** Screw, Square Drive, 2.5" (Qty 8)

BOX 3 - Leg Extension Kit (Optional)



- C** Rear Hanging Cleat (Qty 1)
- F** Left Leg Extension (Qty 1)
- G** Right Leg Extension (Qty 1)
- J** Cam Post (Qty 2)
- K** Camlock (Qty 2)
- M** Wood Dowels (Qty 4)

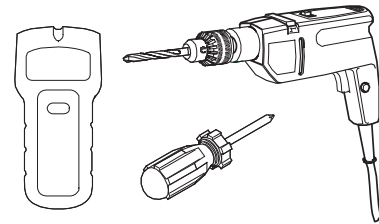
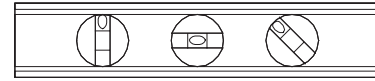
1B

- 1.1** Lay parts out on a protective surface to prevent damage.
Tip: Spread out the cardboard packaging to use as a protective surface.
- 1.2** Inventory parts against the Parts List. Make sure all parts are present before proceeding.

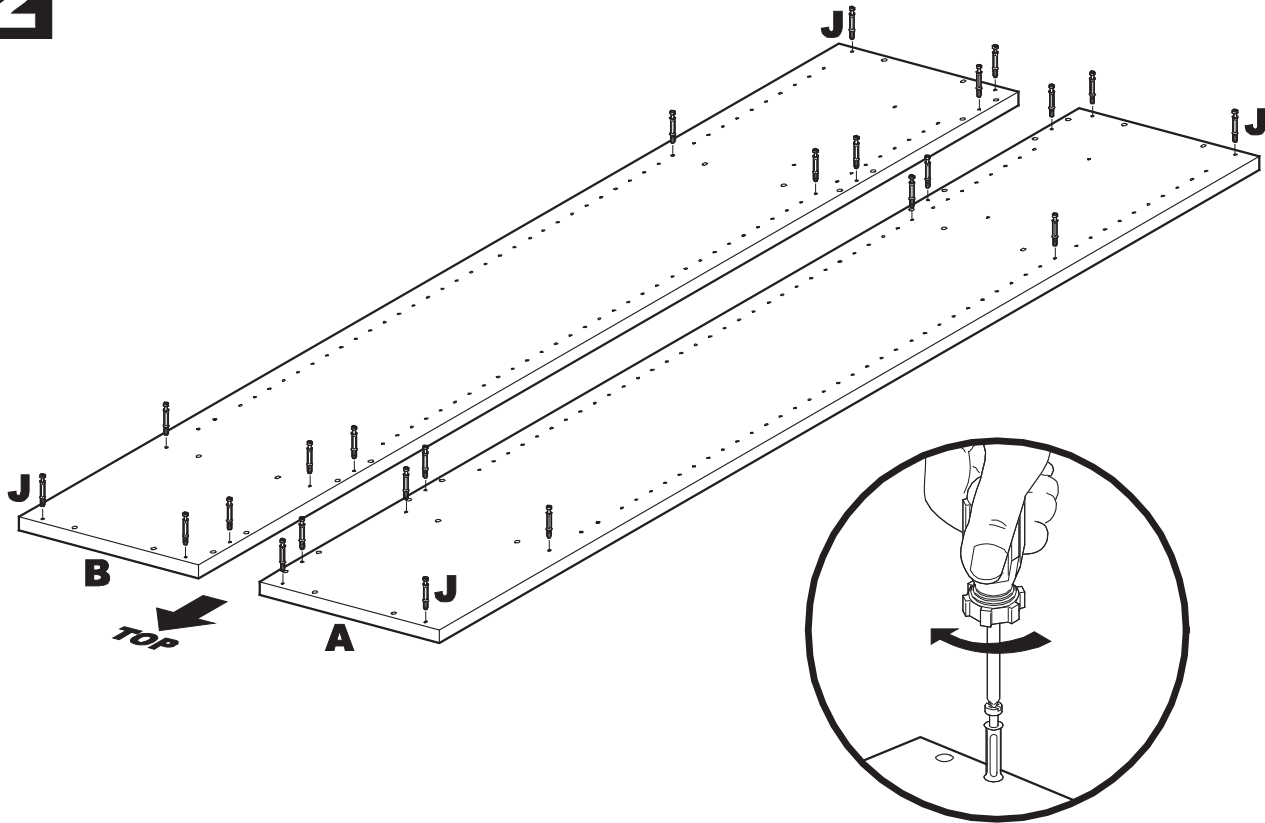
TOOLS REQUIRED

(not included unless noted)

- Level
- Stud Finder
- Drill, 3/32" bit size
- Phillips Screwdriver
- Drill Bit, Square, #2

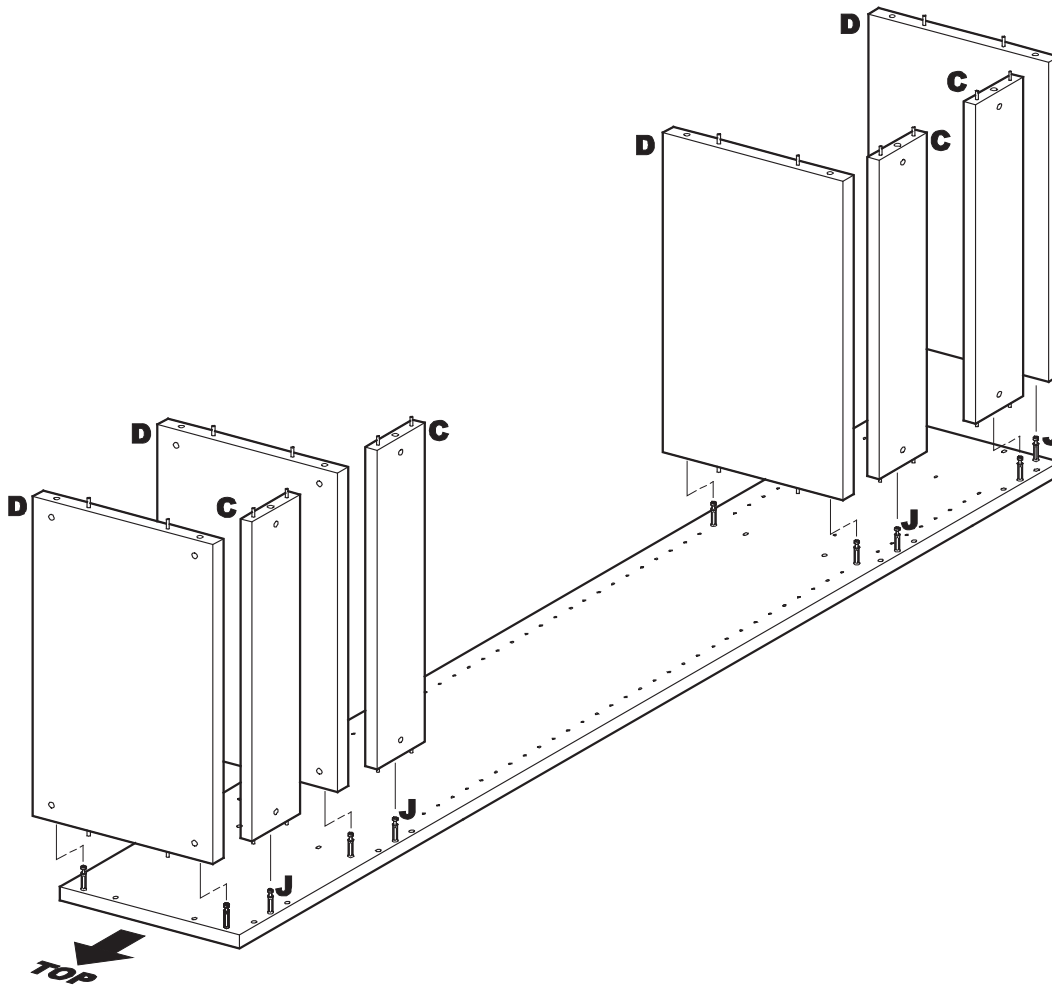


2



- 2.1** Install one Cam Post (J) into each of the 12 holes on Left Side Panel (A) and Right Side Panel (B). Tighten until Cam Posts are seated against Side Panels.

3

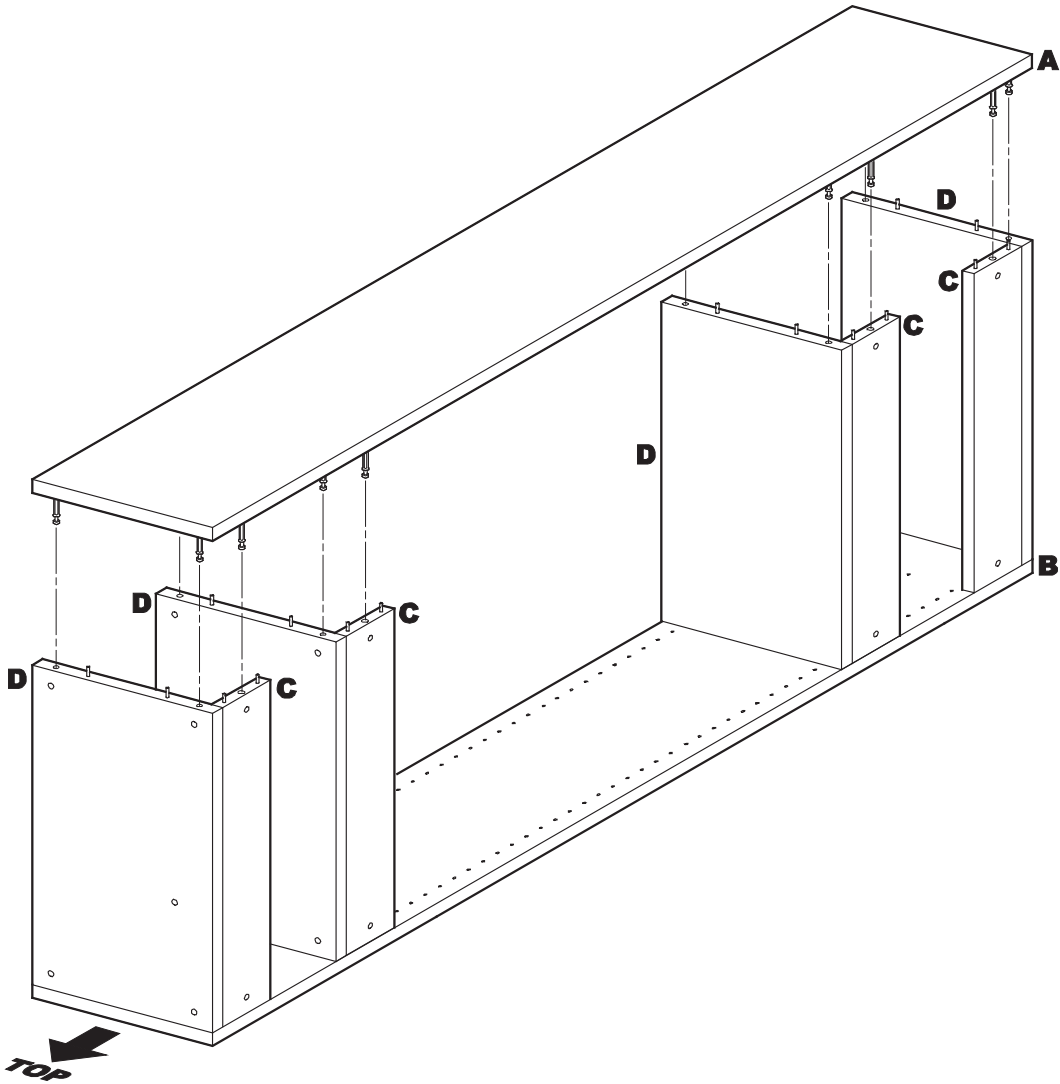


3.1 Assemble Set Shelves (D) and Rear Hanging Cleats (C) onto Right Side Panel (B) by sliding the Shelves and Cleats onto the Cam Posts (J) on Side Panel. BE SURE dowel pins in Shelves and Cleats engage drilled holes in Side Panel, and all parts are pressed flush against Side Panel.

IMPORTANT NOTES

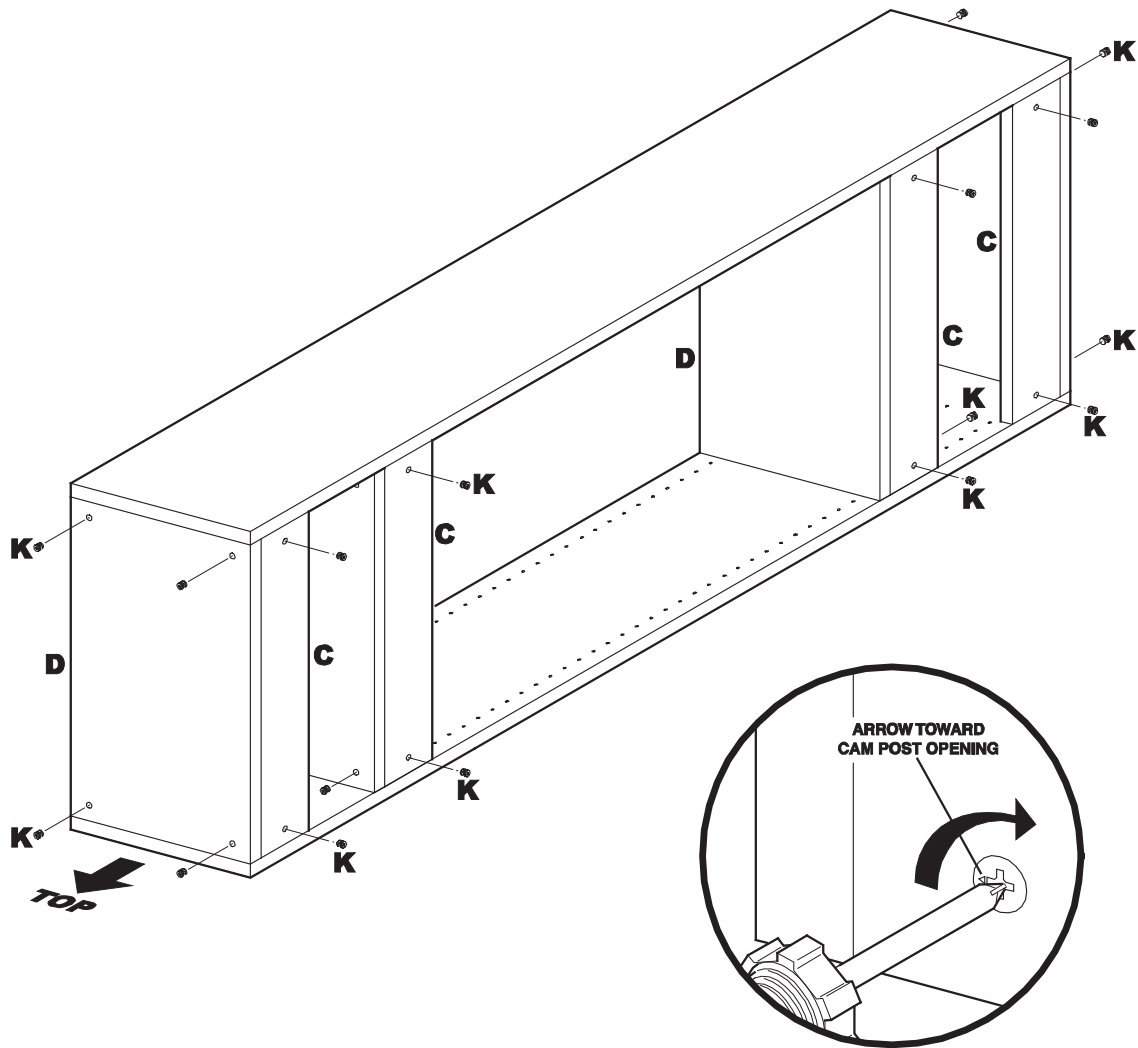
- Install Set Shelves (D) with finished edges facing forward (toward front of unit).
- Install Rear Hanging Cleats (C) with holes for Cam Locks facing the rear of the unit and the unfinished edge against the Set Shelf (D).
- Install upper Set Shelves (D) with holes for Cam Locks facing the top of the unit.
- Install lower Set Shelves (D) with holes for Cam Locks facing the bottom of the unit.

4



4.1 Install Left Side Panel (A) onto assembled Set Shelves (D) and Rear Hanging Cleats (E). BE SURE dowel pins in Shelves and Cleats engage drilled holes in Side Panel, and Side Panel is pressed flush against Set Shelves and Cleats.

5

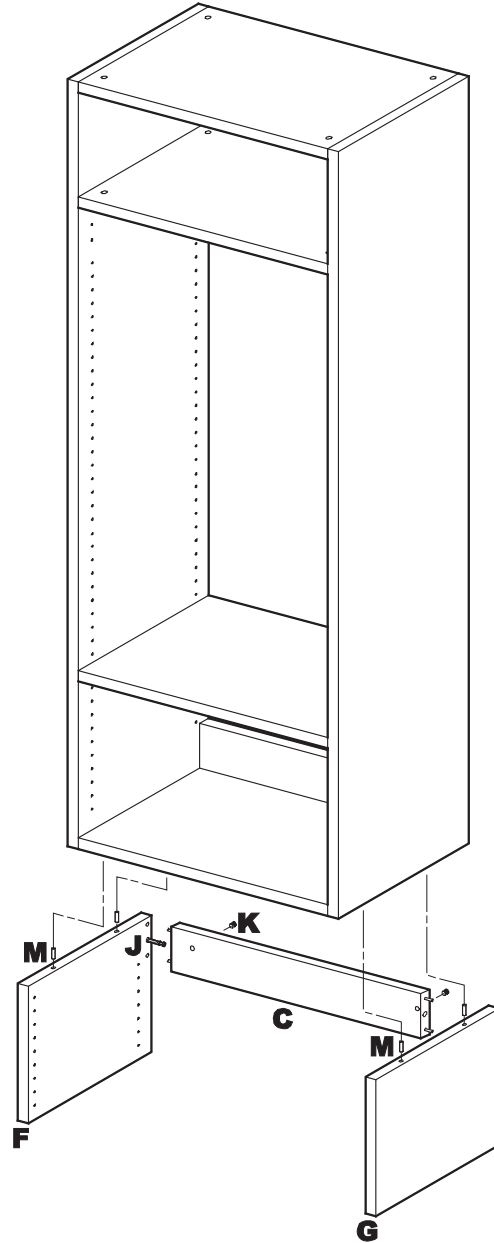
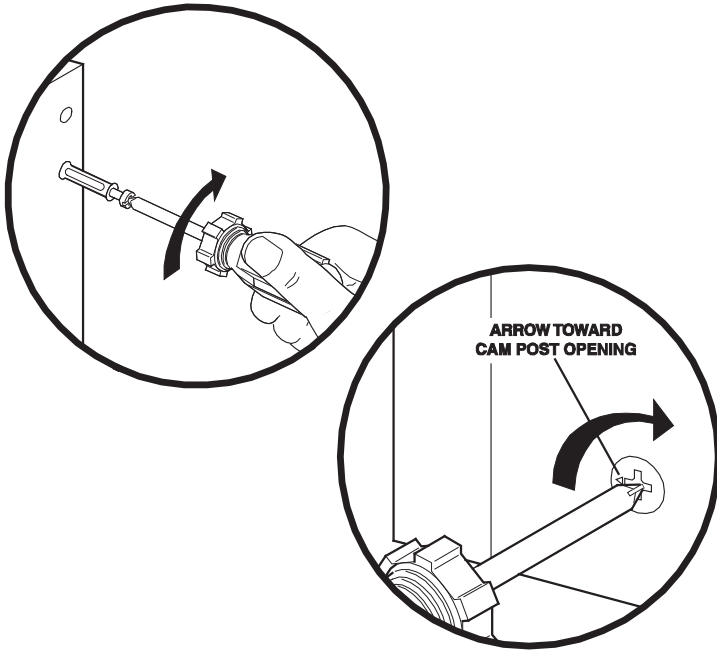


- 5.1** Insert Camlocks (K) in holes in Set Shelves (D) and Rear Hanging Cleats (C), with arrow pointing toward Cam Post opening. Be sure Camlocks engage Cam Posts, and are fully seated in Shelves and Cleats.
- 5.2** Tighten Camlocks (K) clockwise to lock.

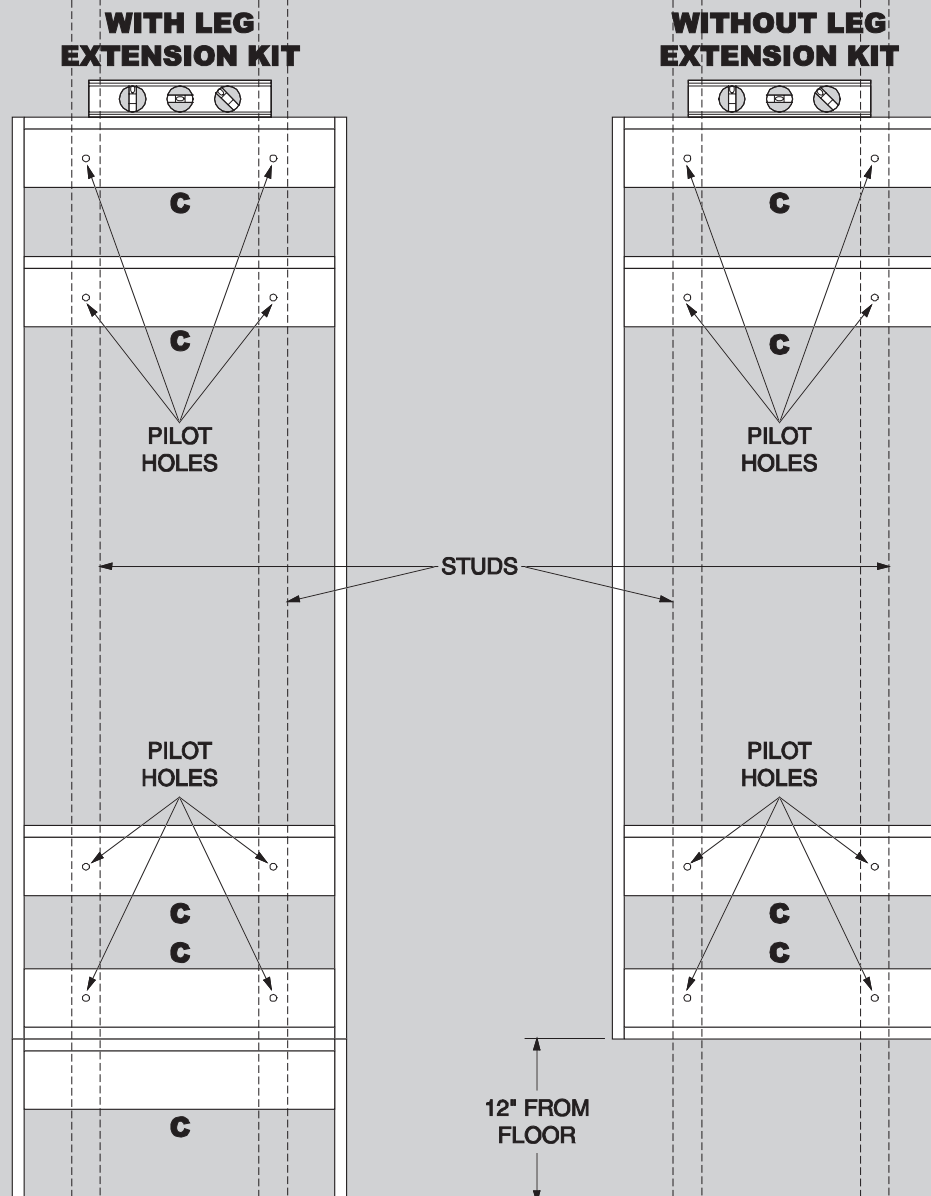
6

FOR LEG EXTENSION KIT INSTALLATIONS ONLY
Leg Extension Kit purchased separately

- 6.1** Insert four Wood Dowels (M) into holes in edges of Left Leg Extension (F) and Right Leg Extension (G).
- 6.2** Install one Cam Post (J) each into Left Leg Extension (F) and Right Leg Extension (G). Tighten until Cam Posts are seated against Leg Extensions.
- 6.3** Assemble Left Leg Extension (F) and Right Leg Extension (G) onto Rear Hanging Cleat (C) by sliding the Cam Posts (J) into Cleat. BE SURE wood dowels in Cleat engage drilled holes in Leg Extensions, and all parts are pressed flush against each other.
- 6.4** Insert Camlocks (K) in holes in Rear Hanging Cleat (C), with arrow pointing toward Cam Post opening. BE SURE Camlocks engage Cam Posts, and are fully seated in Cleat. Tighten Camlocks (K) clockwise to lock.
- 6.5** Align Wood Dowels (K) in assembled Leg Extensions with holes in Shelf Tower, and press Tower and Leg Extensions together.



7



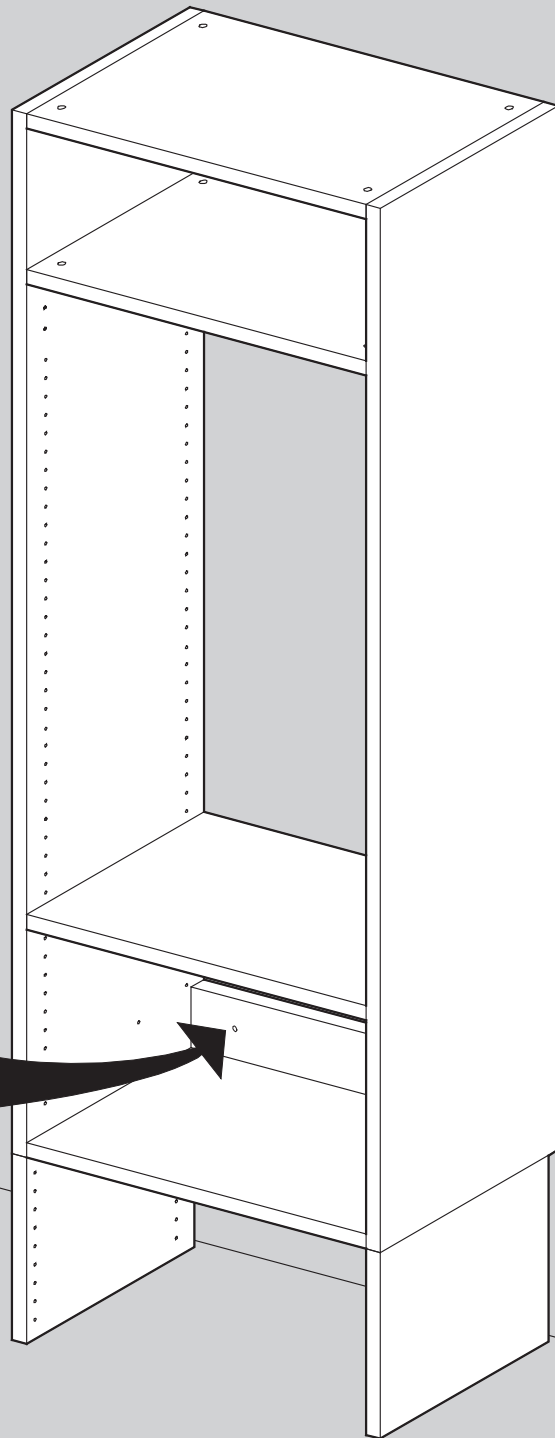
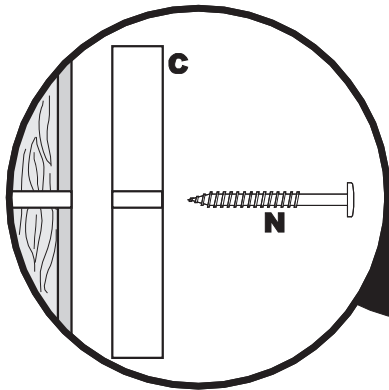
INSTALLATION

- 7.1** Determine the mounting location for the unit. The unit can be wall mounted or floor mounted (by installing the Floor Support Panels as shown in step 6).
- 7.2** Using a stud finder, locate studs to which the unit will be secured. Mark stud locations with a pencil.
- 7.3** With the unit positioned at the desired location, level the unit, then drill pilot holes through Rear Hanging Cleats (C),

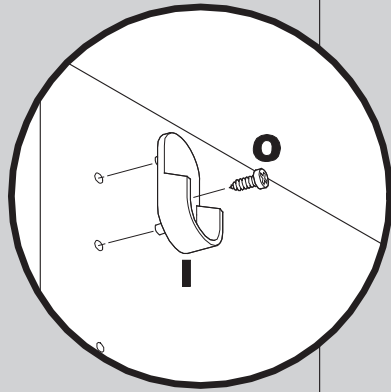
NOTE: For units under 25-1/2 inches wide , it is likely that only one stud will pass through the unit. In these cases, use two screws through each Rear Hanging Cleat.

8

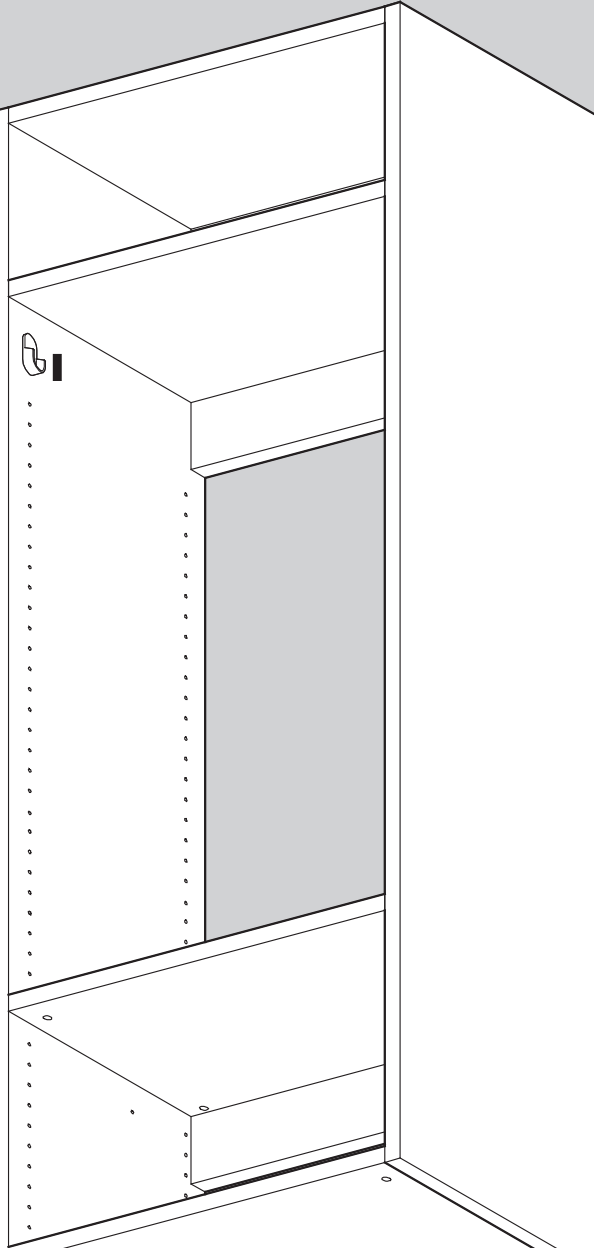
8.1 Secure Rear Hanging Cleats (C) to studs using 2.5" Screws (N). Tighten Screws using Square Drill Bit and Drill.



9

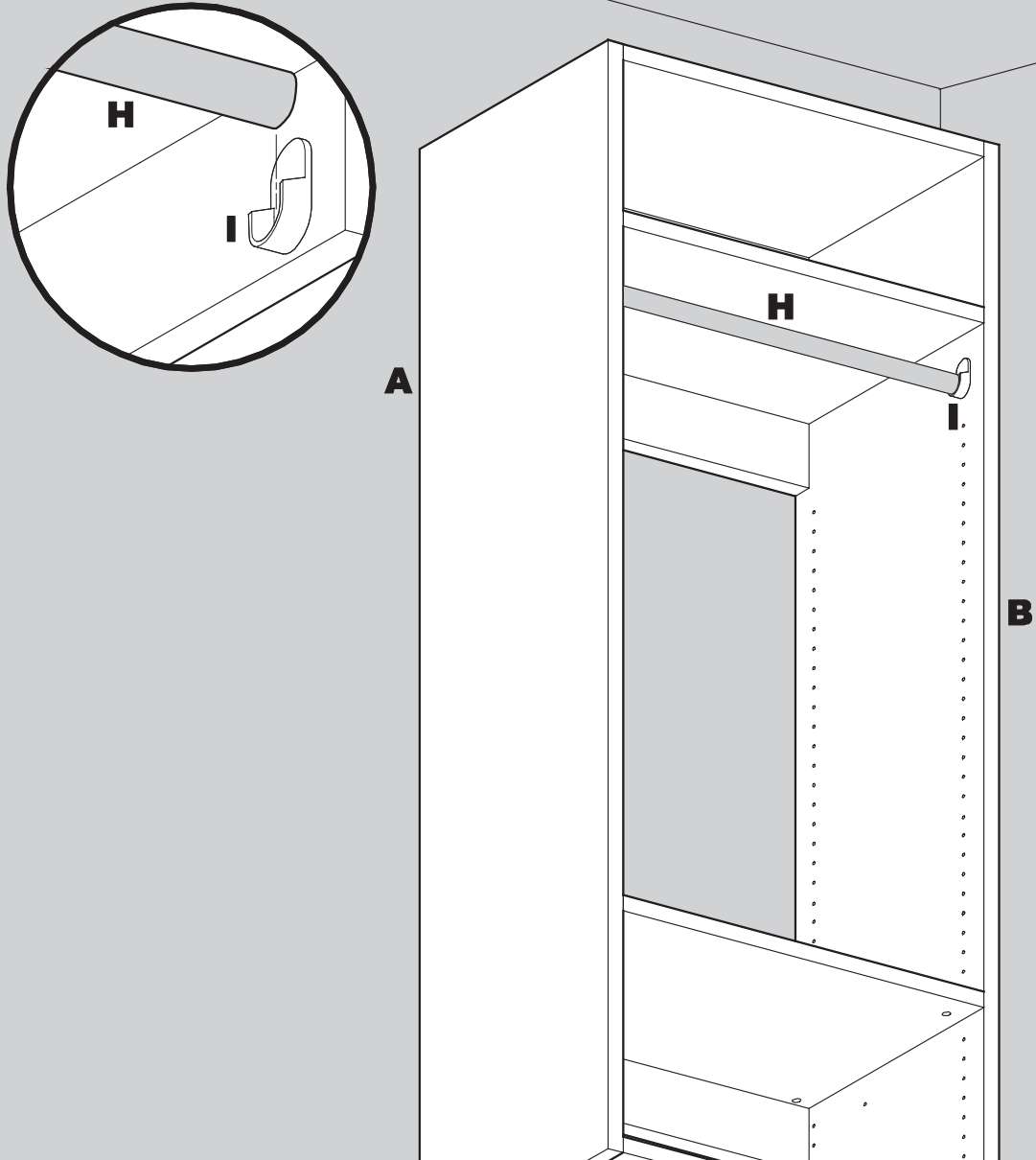


A



9.1 Install one Rod Bracket (I) on Left Side Panel (A) and Right Side Panel (B) and secure each Bracket with one screw (O).

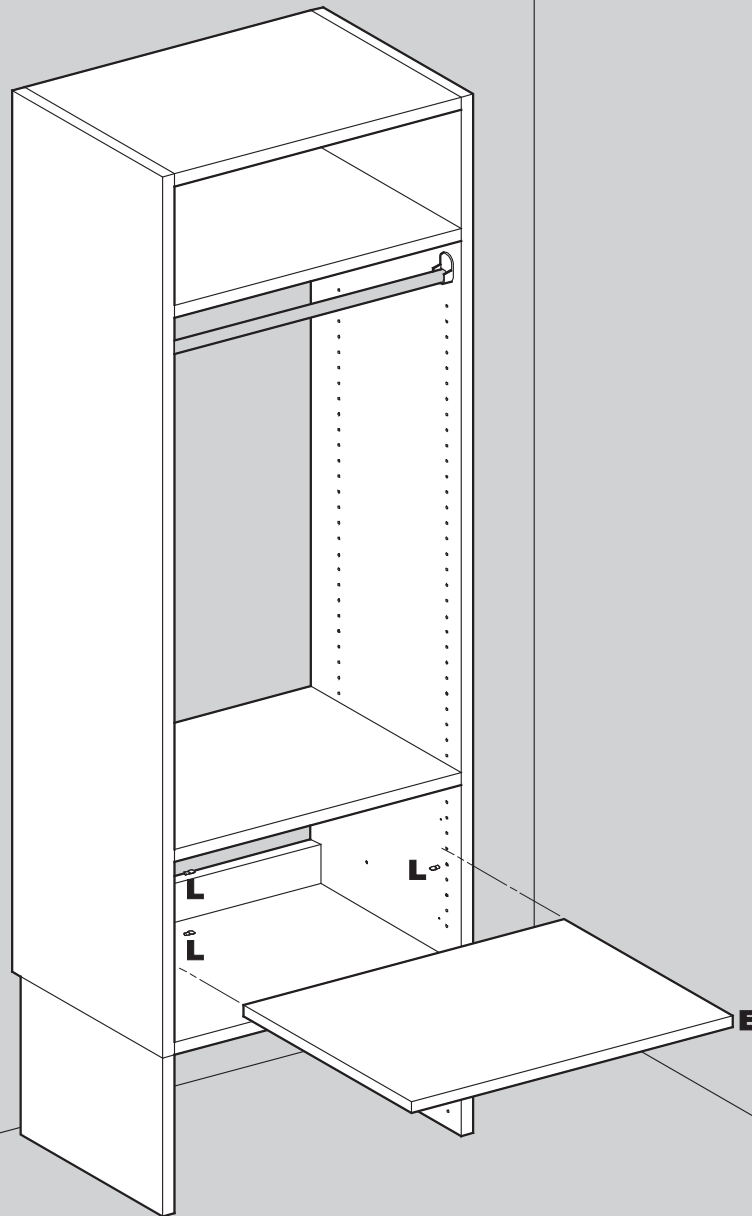
10



NOTE: Use care when installing Hanging Rod (H) to avoid scratching finish inside unit.

10.1 Lower Hanging Rod (H) into Rod Brackets (I) on Left Side Panel (A) and Right Side Panel (B).

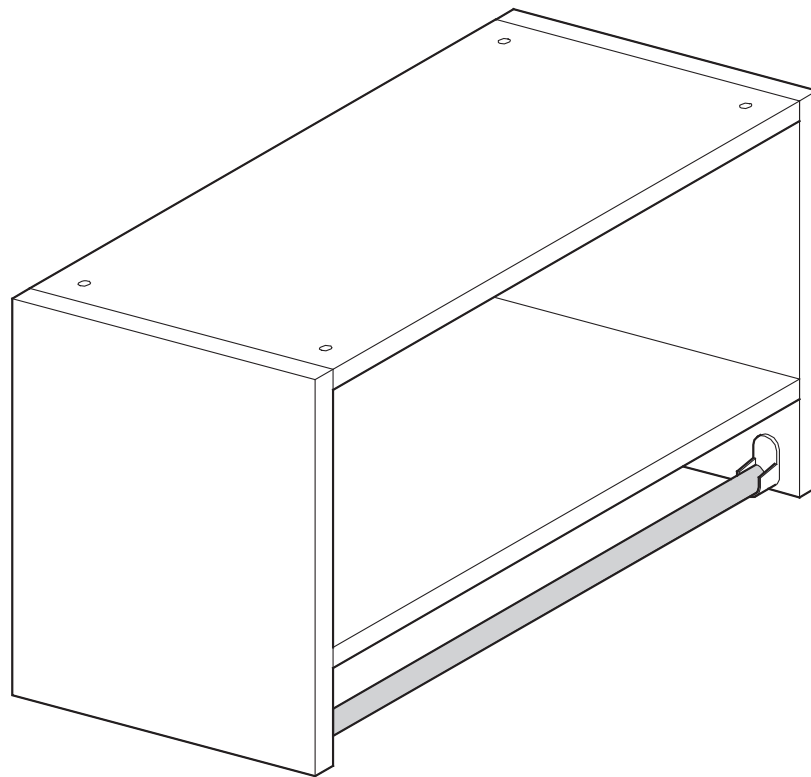
11



11.1 Insert eight Shelf Pins (L) into pin holes inside the Tower at the desired height.

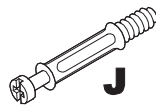
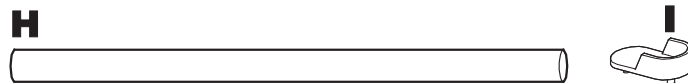
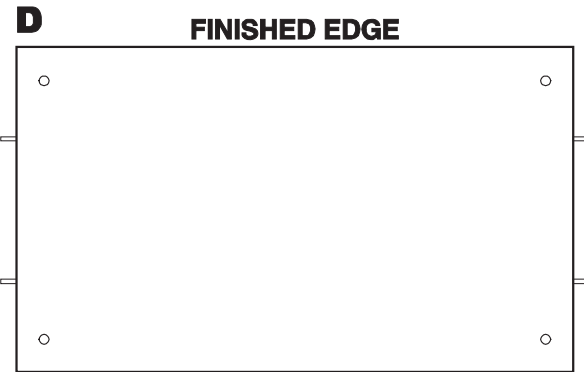
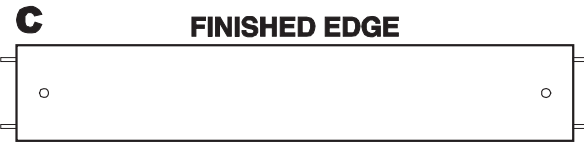
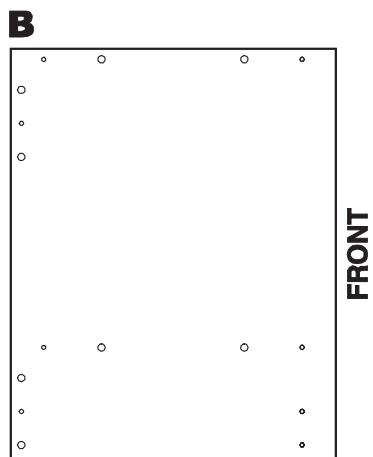
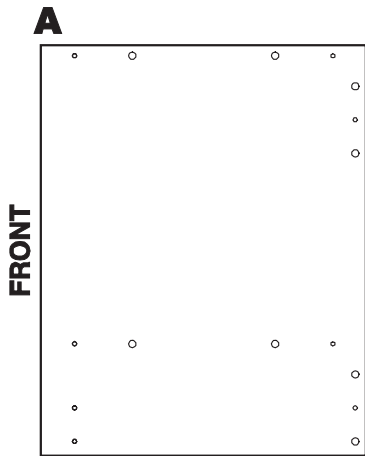
11.2 Rest Adjustable Shelves (E) on Shelf Pins (L).

Tall Hanging Unit



1A

PARTS LIST



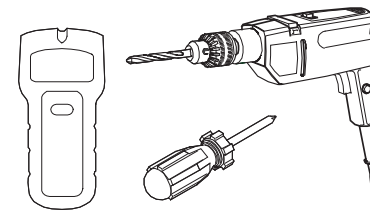
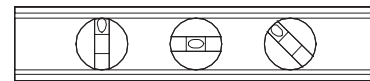
- | | |
|-------------------------------------|--|
| A Left Side Panel | J Cam Post (Qty 12) |
| B Right Side Panel | K Camlock (Qty 12) |
| C Rear Hanging Cleat (Qty 2) | N Screw, Square Drive, 2.5" (Qty 4) |
| D Set Shelf (Qty 2) | O Screw, 5/8" (Qty 2) |
| H Hanging Rod | |
| I Rod Bracket (Qty 2) | |

1B

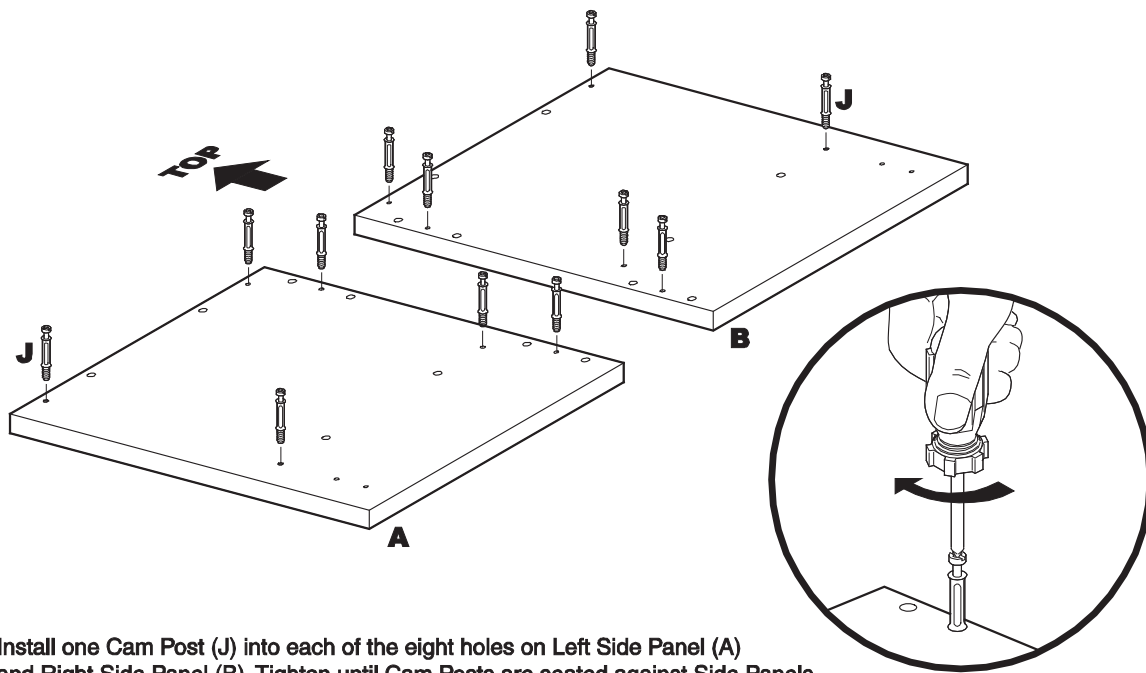
- 1.1** Lay parts out on a protective surface to prevent damage. *Tip: Spread out the cardboard packaging to use as a protective surface.*
- 1.2** Inventory parts against the Parts List. Make sure all parts are present before proceeding.

TOOLS REQUIRED (not included unless noted)

- Level
- Stud Finder
- Drill, 3/32" bit size
- Phillips Screwdriver
- Drill Bit, Square #2



2



2.1 Install one Cam Post (J) into each of the eight holes on Left Side Panel (A) and Right Side Panel (B). Tighten until Cam Posts are seated against Side Panels.

3

3.1 Assemble Set Shelves (D) and Rear Hanging Cleats (C) onto Right Side Panel (B) by sliding the Shelves and Cleats onto the Cam Posts (J) on Right Side Panel. BE SURE dowel pins in Shelves and Cleats engage drilled holes in Right Side Panel, and all parts are pressed flush against Right Side Panel.

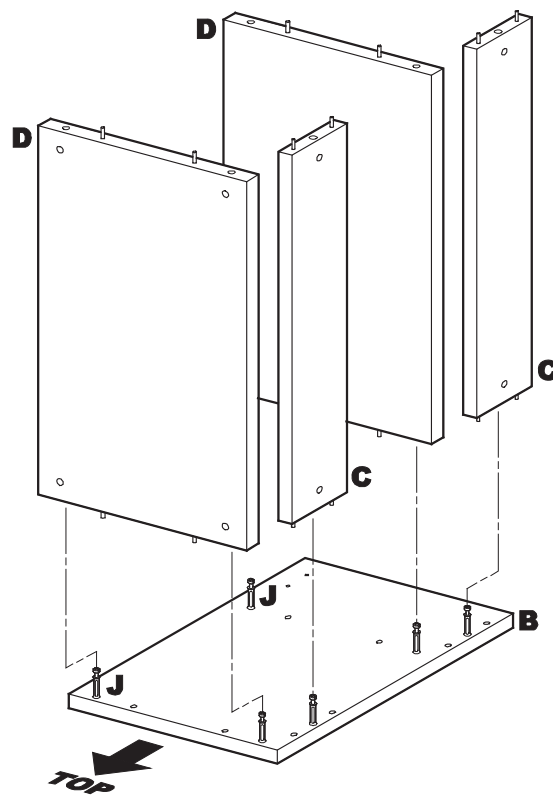
IMPORTANT NOTES

Install Set Shelves (D) with finished edges facing forward (toward front of unit).

Install Rear Hanging Cleats (C) with holes for Cam Locks facing the rear of the unit and the unfinished edge against the Set Shelf (D).

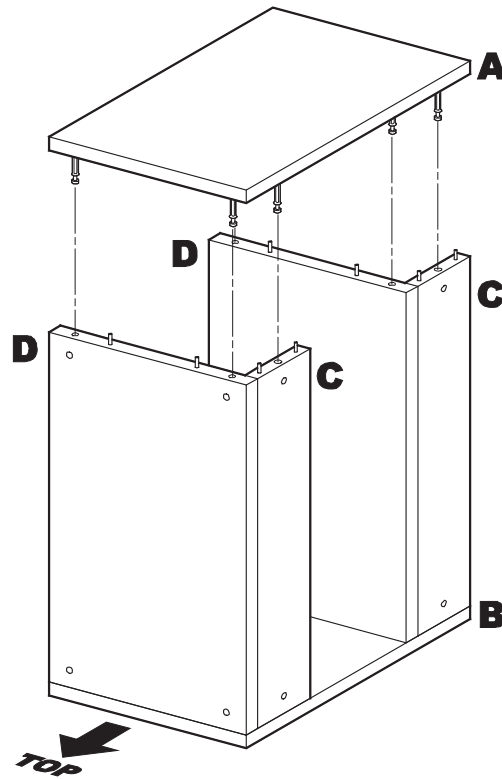
Install upper Set Shelf (D) with holes for Cam Locks facing the top of the unit.

Install lower Set Shelf (D) with holes for Cam Locks facing the bottom of the unit.



4

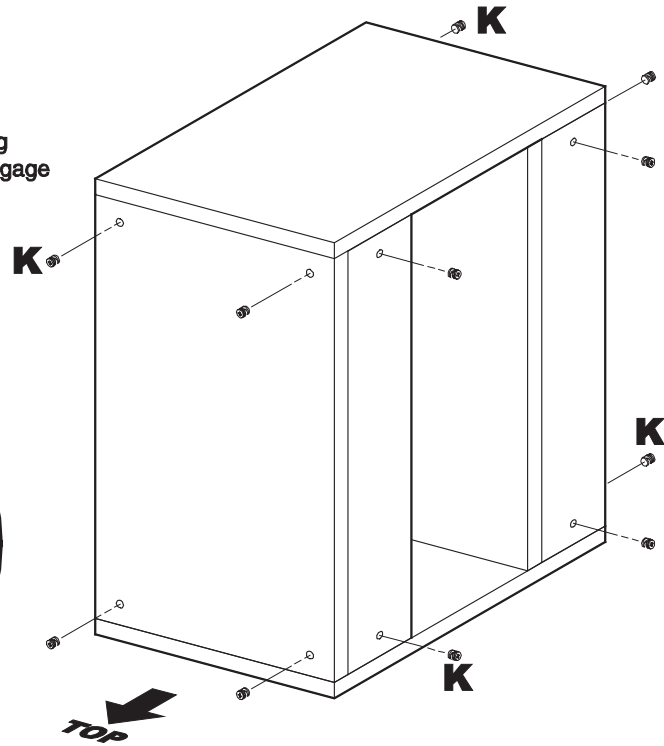
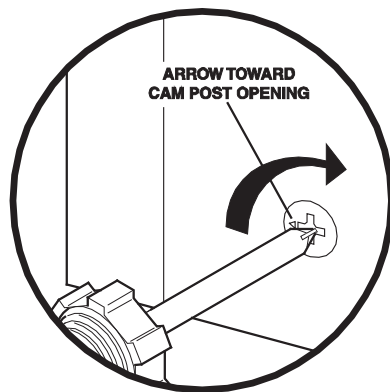
3.1 Install Left Side Panel (A) onto assembled Set Shelves (D) and Rear Hanging Cleats (C). BE SURE dowel pins in Shelves and Cleats engage drilled holes in Left Side Panel, and Left Side Panel is pressed flush against Set Shelves and Cleats.



5

5.1 Insert Camlocks (K) in holes in Set Shelves (C) and Rear Hanging Cleats (D), with arrow pointing toward Cam Post opening. Be sure Camlocks engage Cam Posts, and are fully seated in Shelves and Cleats.

5.2 Tighten Camlocks (K) clockwise to lock.

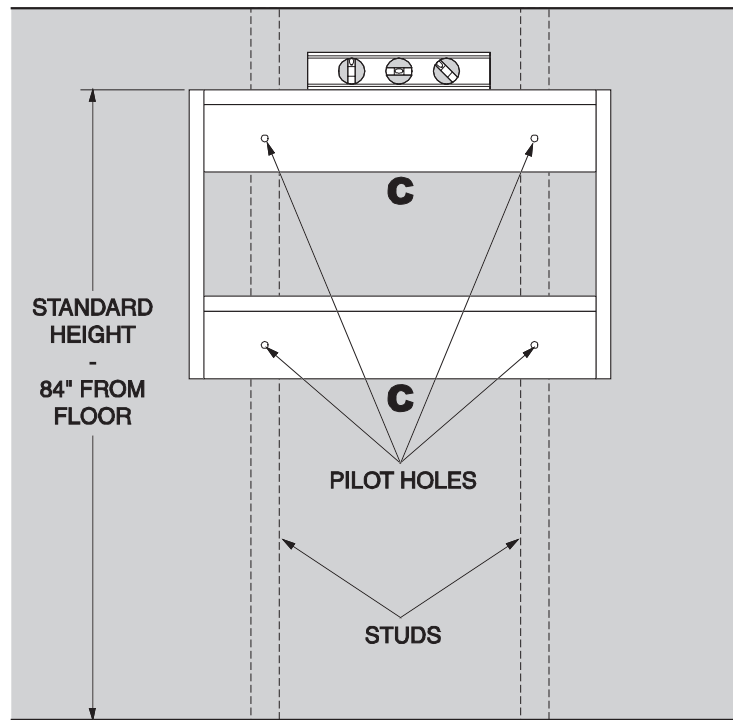


6

INSTALLATION

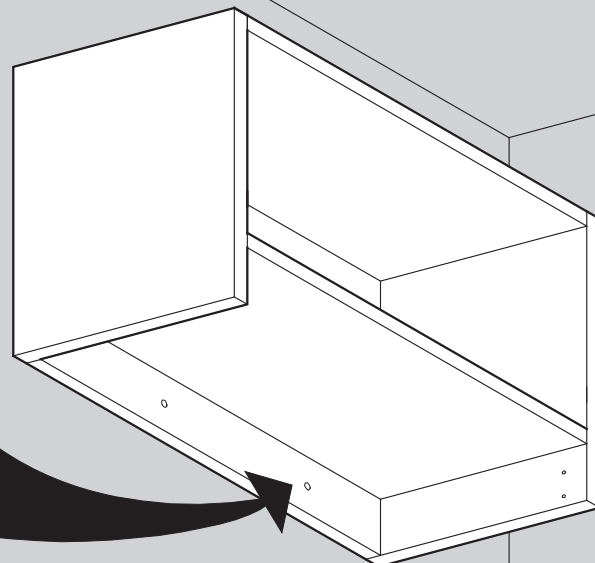
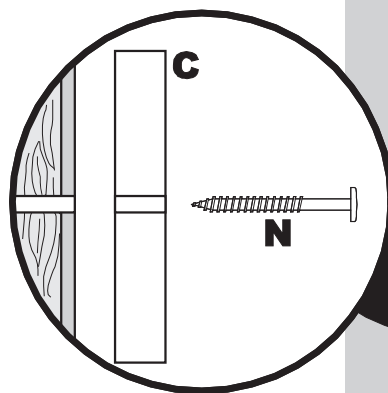
- 6.1** Determine the mounting location for the unit.
- 6.2** Using a stud finder, locate studs to which the unit will be secured. Mark stud locations with a pencil.
- 6.3** With the unit positioned at the desired location, level the unit, then drill pilot holes through Rear Hanging Cleats (C),

NOTE: For units under 25-1/2 inches wide, it is likely that only one stud will pass through the unit. In these cases, use two screws through each Rear Hanging Cleat.



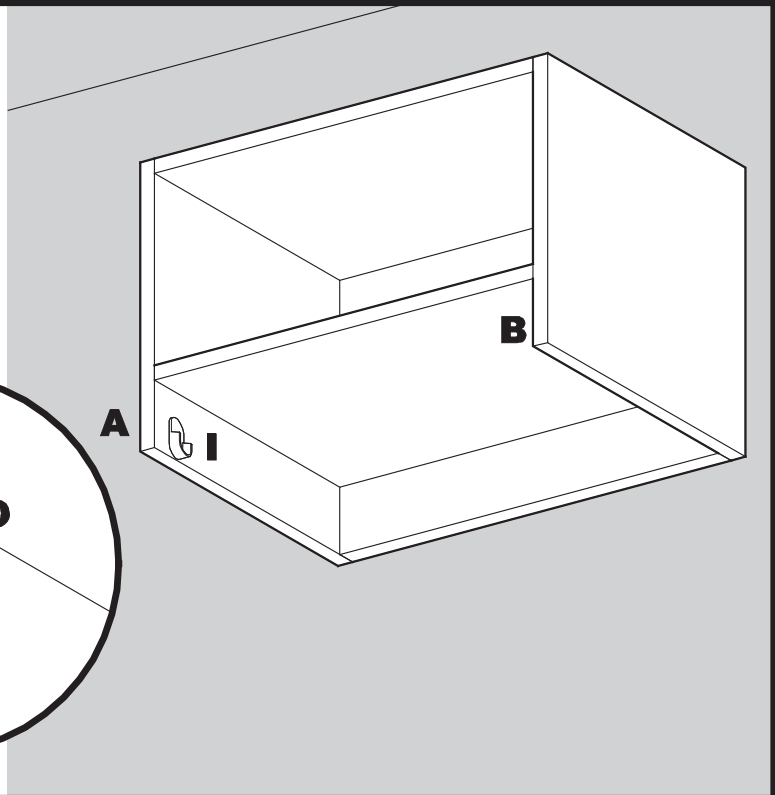
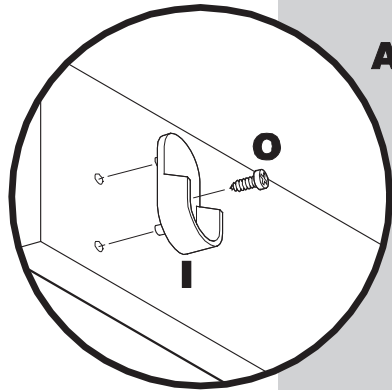
7

- 7.1** Secure Rear Hanging Cleats (C) to studs using 2.5" Screws (N). Tighten Screws using Square Drill Bit (provided) and Drill.



8

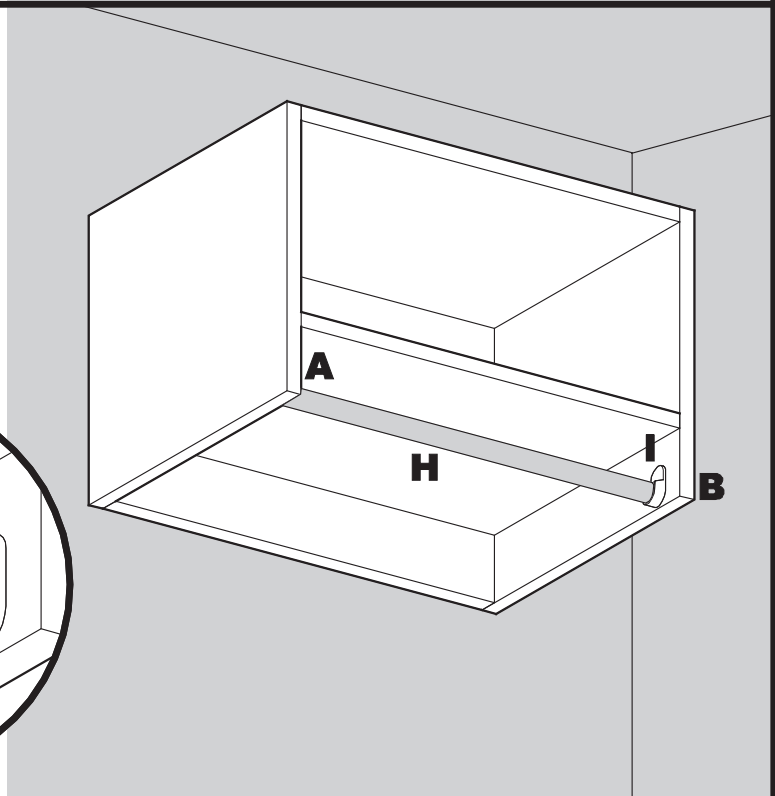
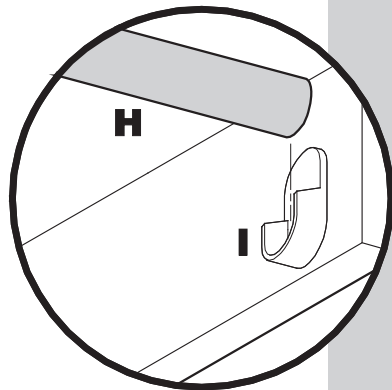
8.1 Install one Rod Bracket (I) on Left Side Panel (A) and Right Side Panel (B) and secure each Bracket with one screw (O).



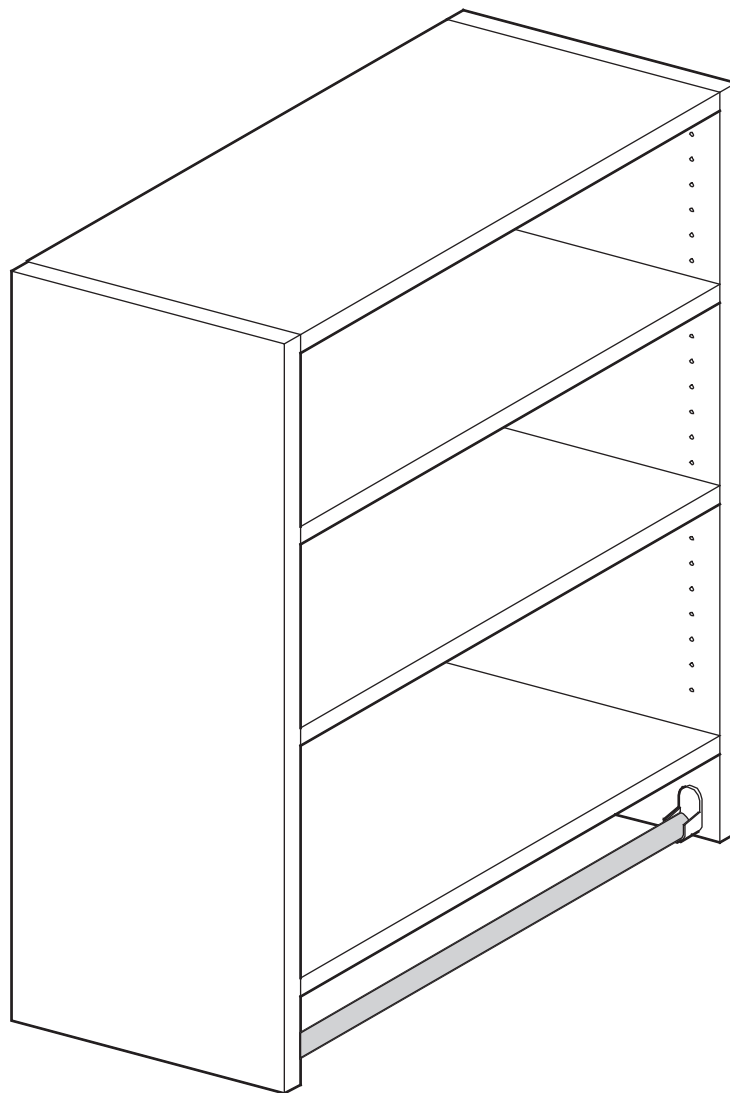
9

NOTE: Use care when installing Hanging Rod (H) to avoid scratching finish inside unit.

9.1 Lower Hanging Rod (H) into Rod Brackets (I) on Left Side Panel (A) and Right Side Panel (B).

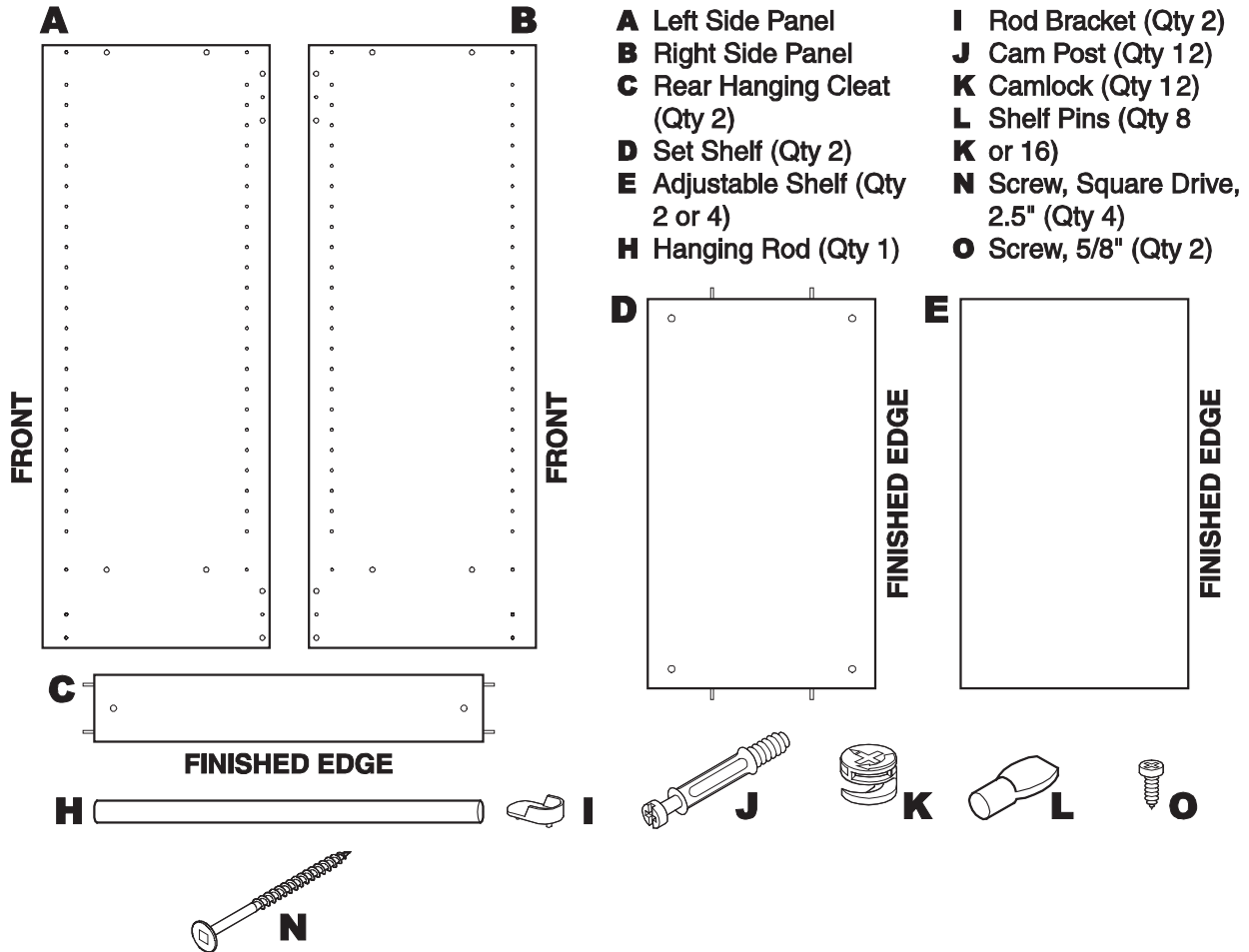


Medium Hanging Unit



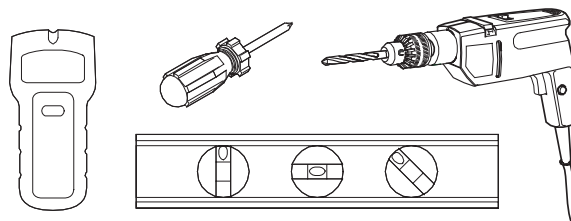
1

PARTS LIST



TOOLS REQUIRED (not included unless noted)

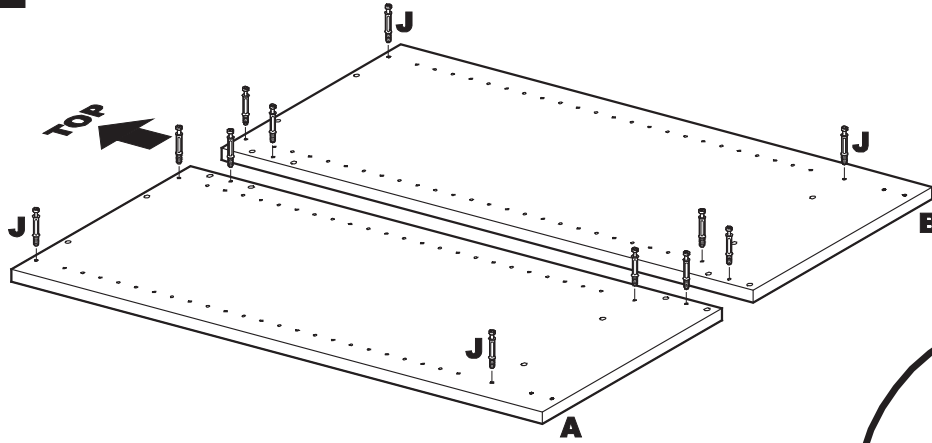
Level
 Stud Finder
 Drill, 3/32" bit size
 Phillips Screwdriver
 Drill Bit, Square, #2



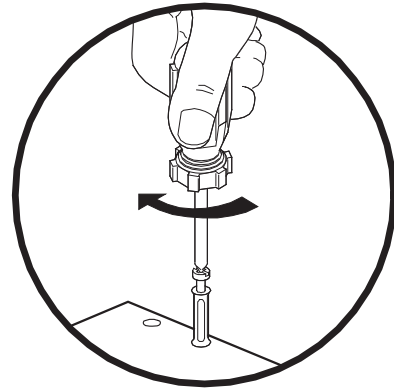
1.1 Lay parts out on a protective surface to prevent damage. *Tip: Spread out the cardboard packaging to use as a protective surface.*

1.2 Inventory parts against the Parts List. Make sure all parts are present before proceeding.

2



2.1 Install one Cam Post (J) into each of the six holes on Left Side Panel (A) and Right Side Panel (B). Tighten until Cam Posts are seated against Side Panels.



3

3.1 Assemble Set Shelves (D) and Rear Hanging Cleats (C) onto Right Side Panel (B) by sliding the Shelves and Cleats onto the Cam Posts (J) on Right Side Panel. BE SURE dowel pins in Shelves and Cleats engage drilled holes in Right Side Panel, and all parts are pressed flush against Right Side Panel.

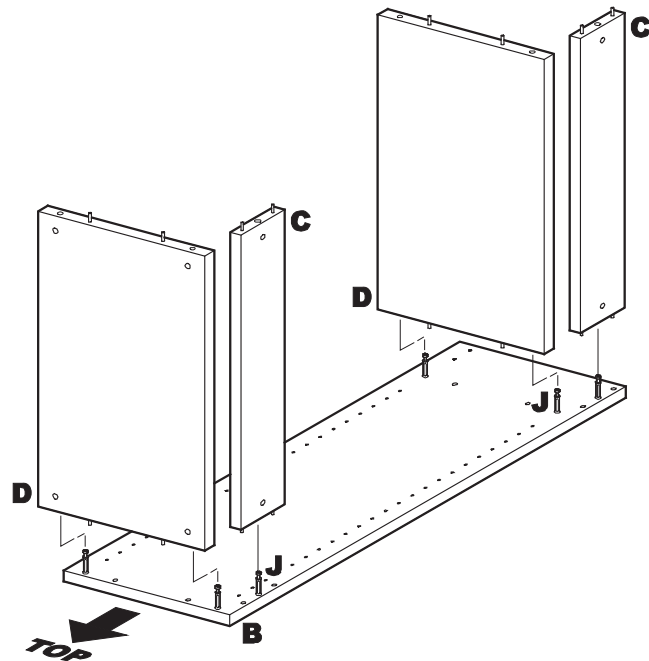
IMPORTANT NOTES

Install Set Shelves (D) with finished edges facing forward (toward front of unit).

Install Rear Hanging Cleats (C) with holes for Cam Locks facing the rear of the unit and the unfinished edge against the Set Shelf (D).

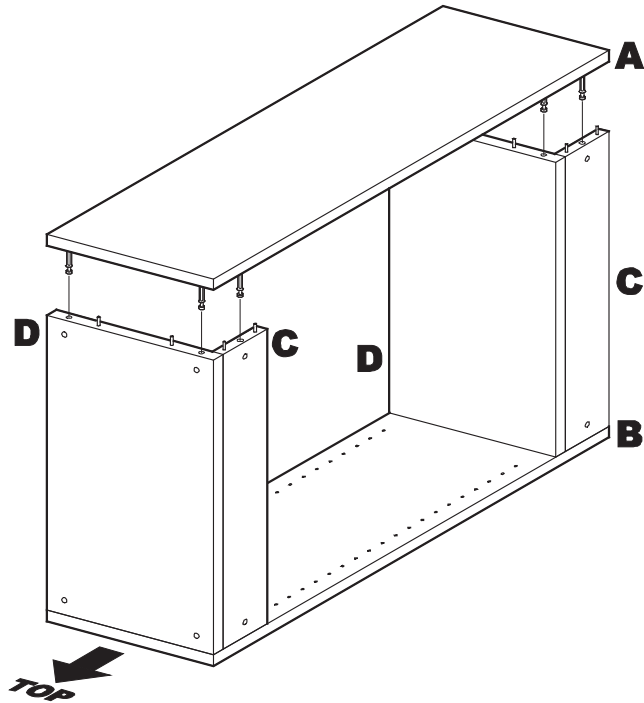
Install upper Set Shelf (D) with holes for Cam Locks facing the top of the unit.

Install lower Set Shelf (D) with holes for Cam Locks facing the bottom of the unit.



4

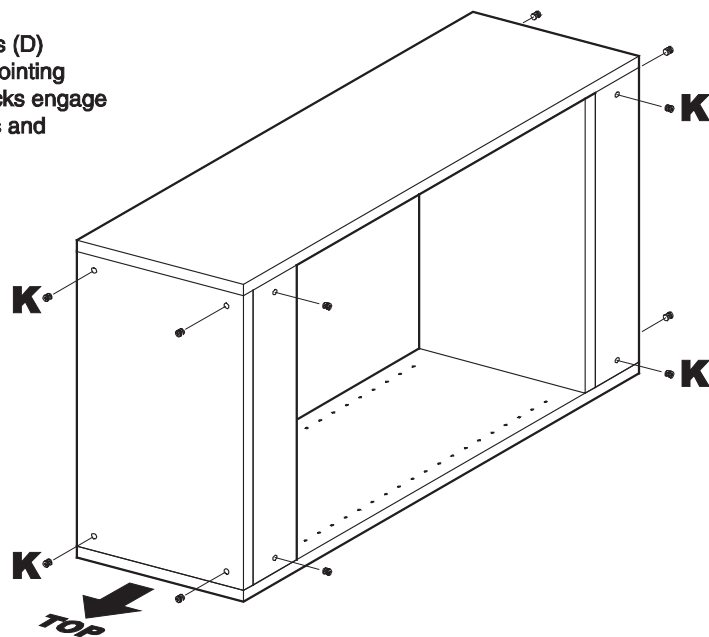
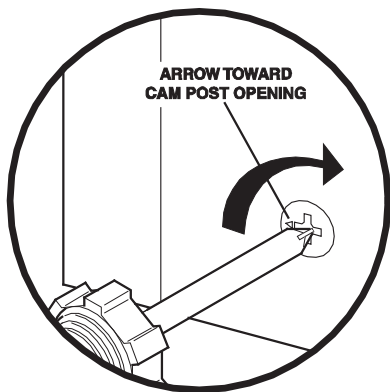
4.1 Install Left Side Panel (A) onto assembled Set Shelves (D) and Rear Hanging Cleats (C). BE SURE dowel pins in Shelves and Cleats engage drilled holes in Left Side Panel, and Left Side Panel is pressed flush against Set Shelves and Cleats.



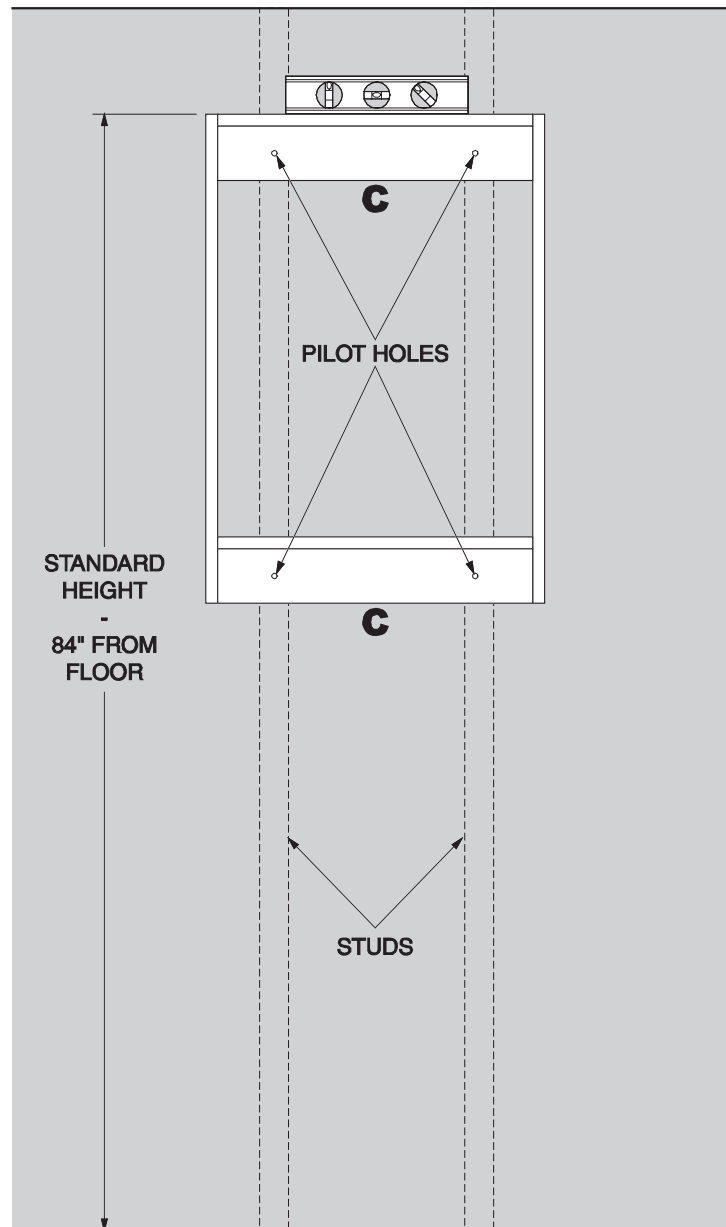
5

5.1 Insert Camlocks (K) in holes in Set Shelves (D) and Rear Hanging Cleats (C), with arrow pointing toward Cam Post opening. Be sure Camlocks engage Cam Posts, and are fully seated in Shelves and Cleats.

5.2 Tighten Camlocks (K) clockwise to lock.



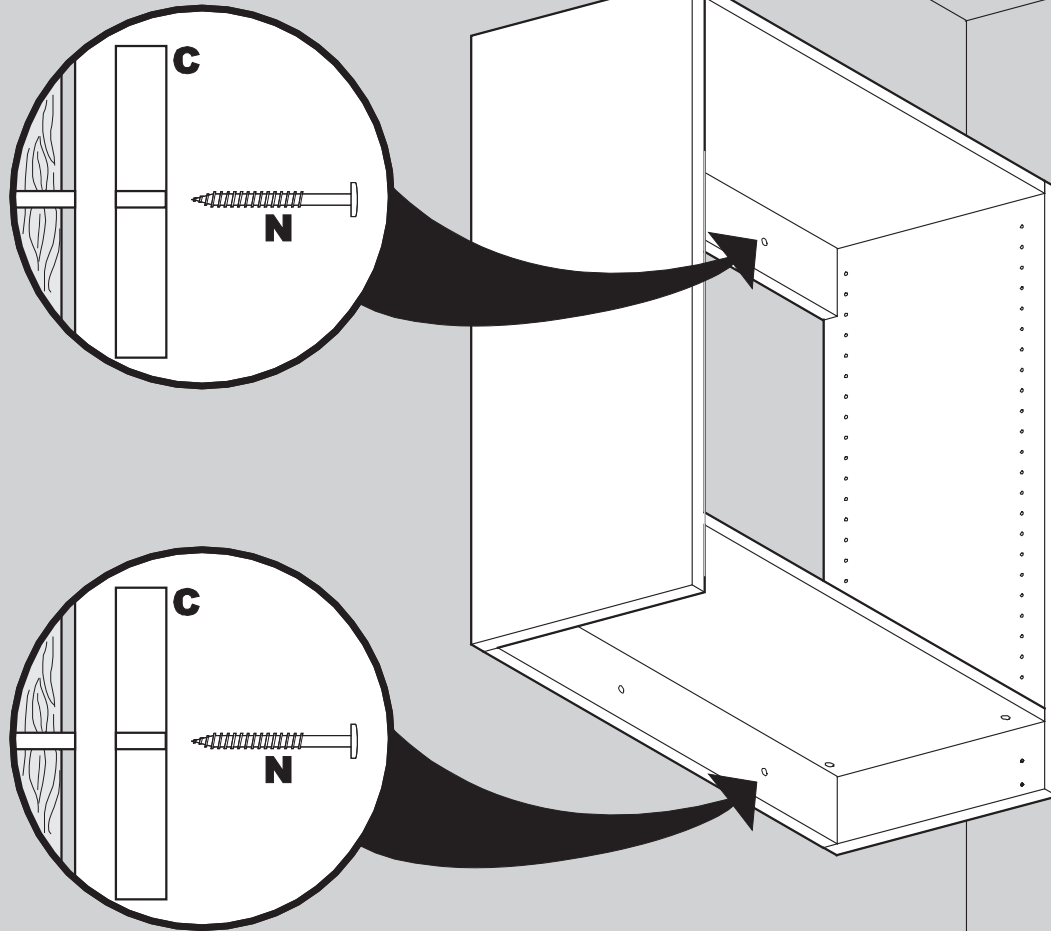
6



INSTALLATION

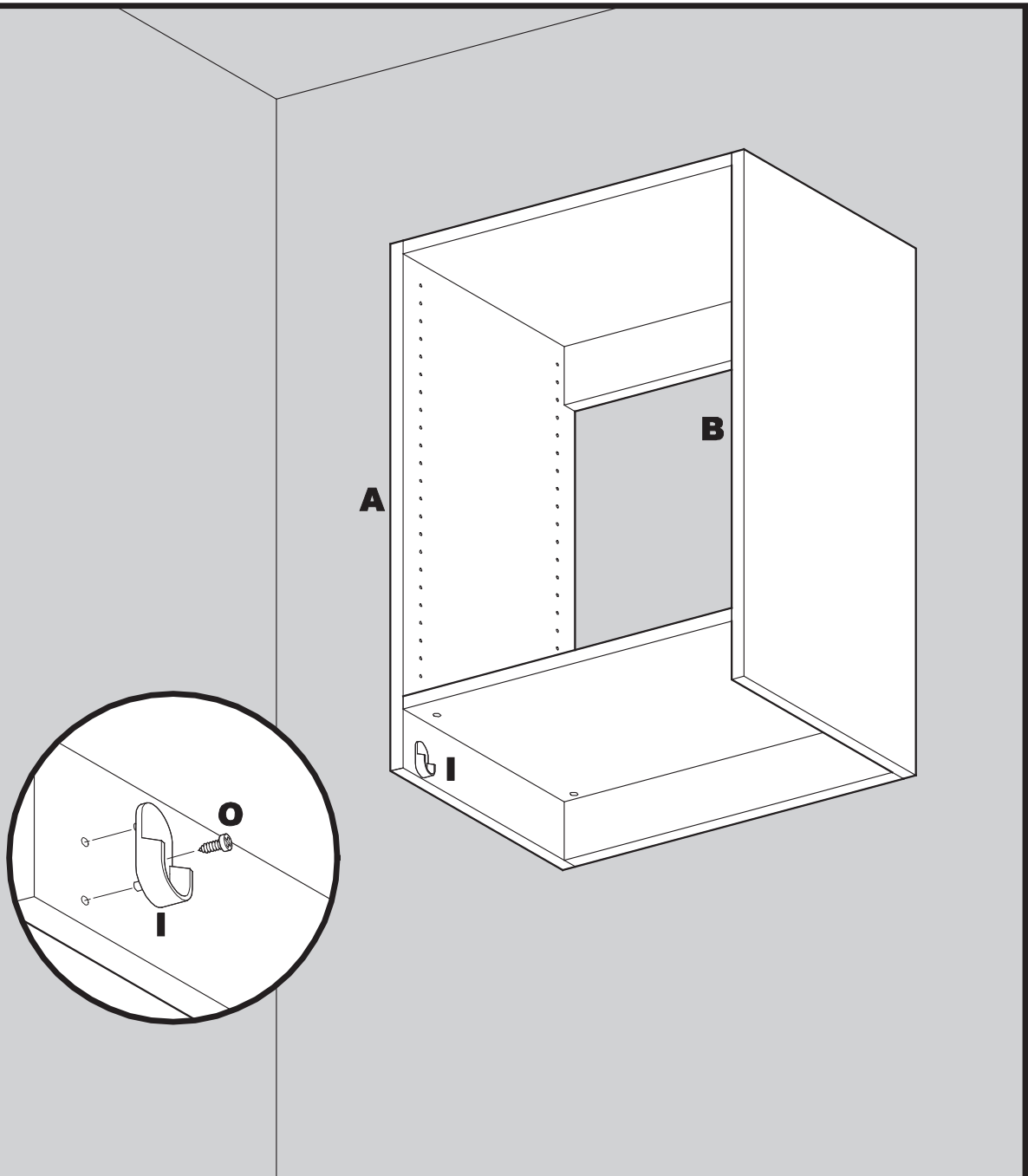
- 6.1** Determine the mounting location for the unit.
 - 6.2** Using a stud finder, locate studs to which the unit will be secured. Mark stud locations with a pencil.
 - 6.3** With the unit positioned at the desired location, level the unit, then drill pilot holes through Rear Hanging Cleats (C),
- NOTE:** For units under 25-1/2 inches wide, it is likely that only one stud will pass through the unit. In these cases, use two screws through each Rear Hanging Cleat.

7



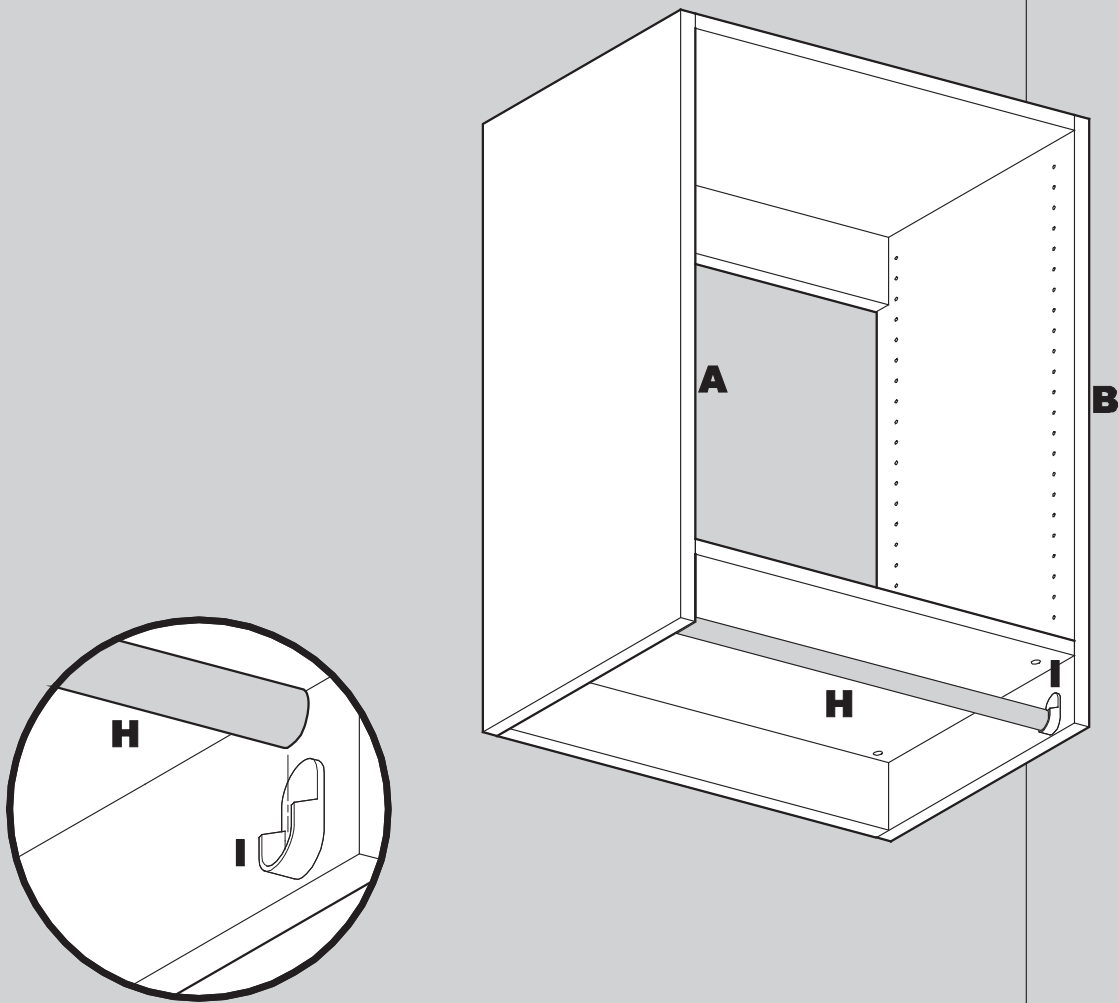
7.1 Secure Rear Hanging Cleats (C) to studs using 2.5" Screws (N). Tighten Screws using Square Drill Bit and Drill.

8



8.1 Install one Rod Bracket (I) on Left Side Panel (A) and Right Side Panel (B) and secure each Bracket with one screw (O).

9

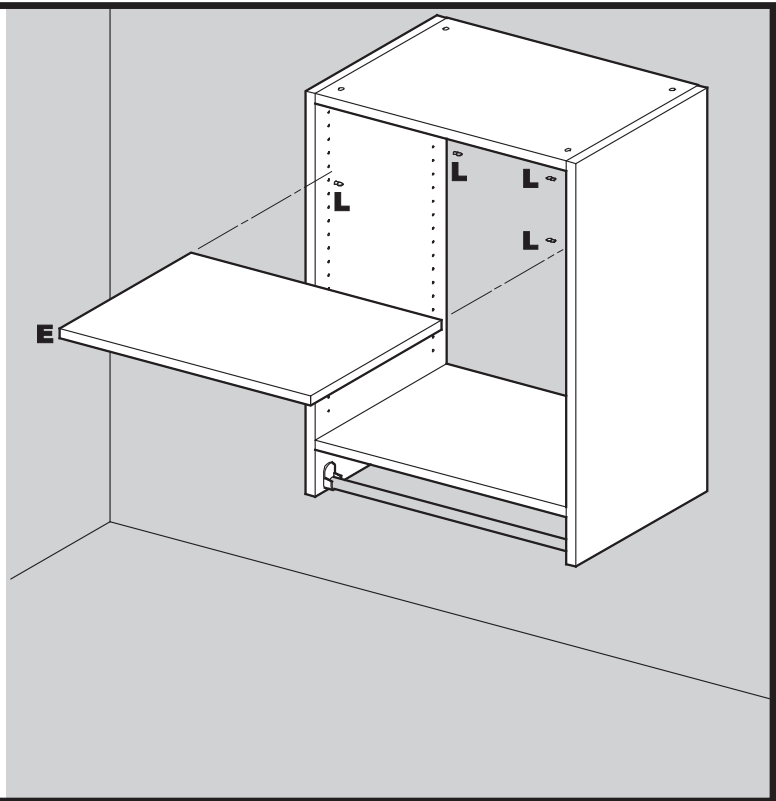


NOTE: Use care when installing Hanging Rod (H) to avoid scratching finish inside unit.

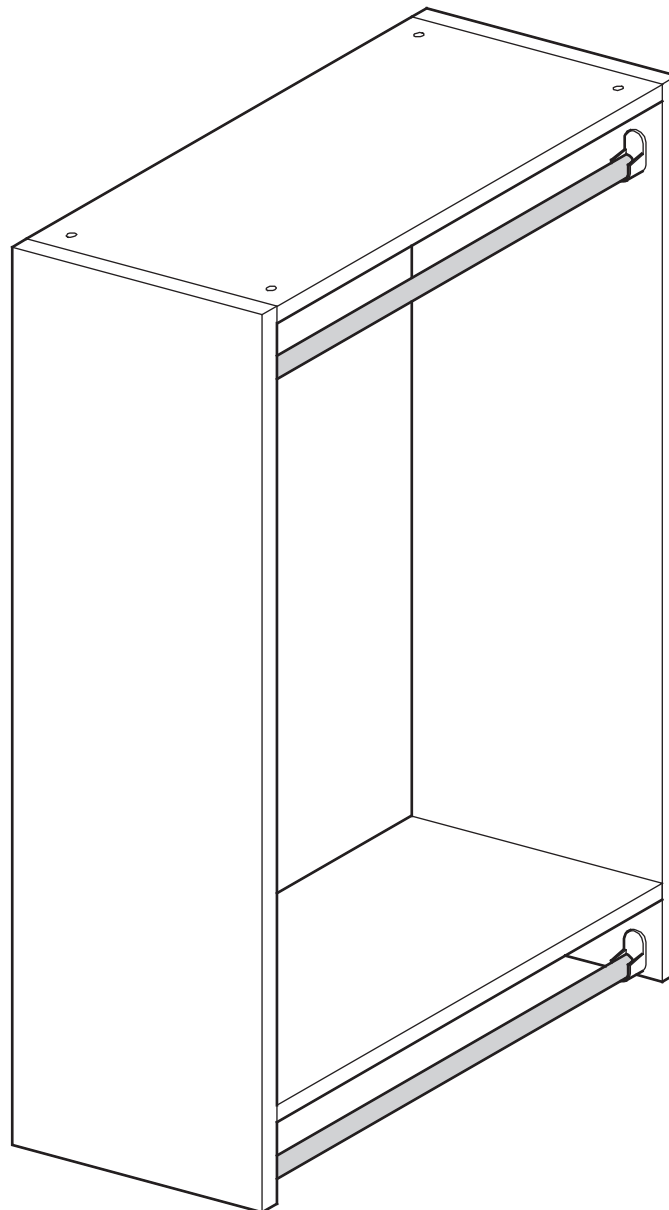
9.1 Lower Hanging Rod (H) into Rod Brackets (I) on Left Side Panel (A) and Right Side Panel (B).

10

- 10.1** For each Adjustable Shelf (E), insert four Shelf Pins (L) into pin holes inside the Tower at the desired height.
- 10.2** Rest Adjustable Shelves (E) on Shelf Pins (L).

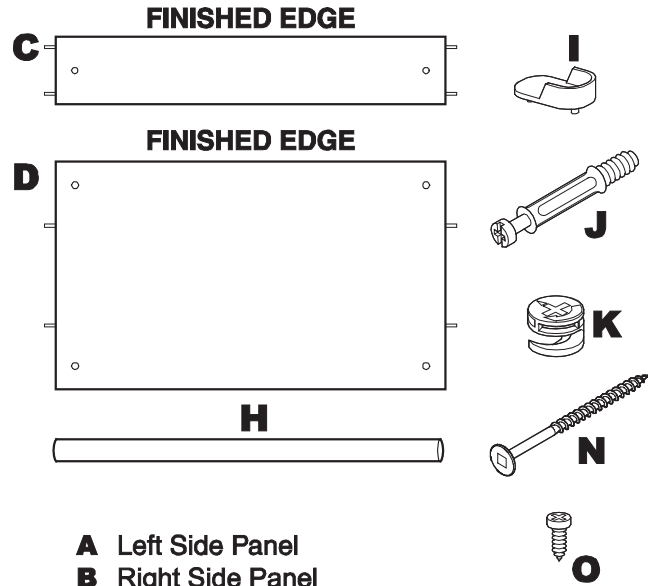
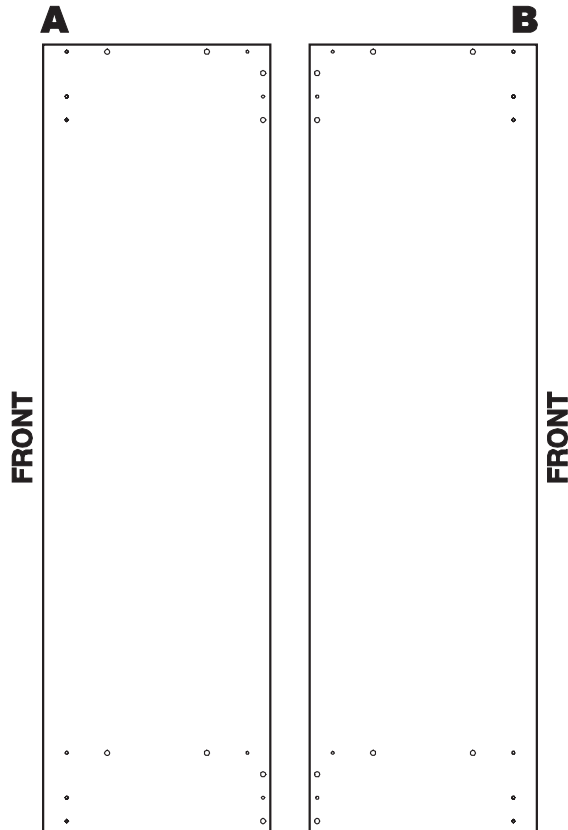


Double Hanging Unit



1A

PARTS LIST



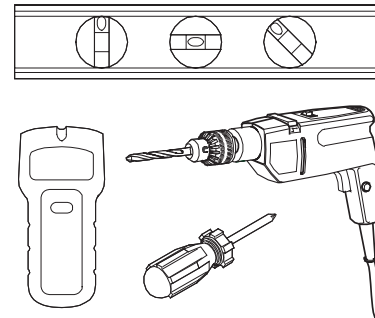
- A** Left Side Panel
- B** Right Side Panel
- C** Rear Cleat (Qty 2)
- D** Set Shelf (Qty 2)
- H** Hanging Rod (Qty 2)
- I** Rod Bracket (Qty 4)
- J** Cam Post (Qty 12)
- K** Camlock (Qty 12)
- N** Screw, Square Drive, 2.5" (Qty 4)
- O** Screw, 5/8" (Qty 4)

1B

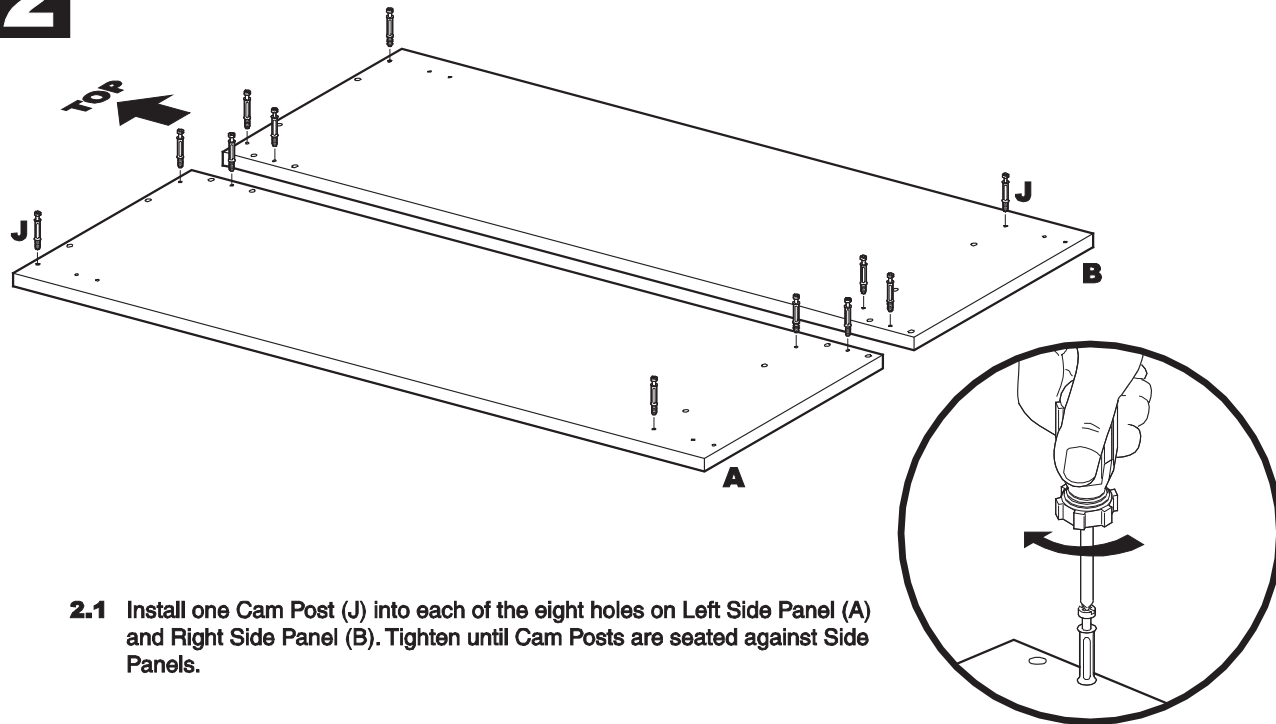
- 1.1** Lay parts out on a protective surface to prevent damage. *Tip: Spread out the cardboard packaging to use as a protective surface.*
- 1.2** Inventory parts against the Parts List. Make sure all parts are present before proceeding.

TOOLS REQUIRED (not included unless noted)

- Level
- Stud Finder
- Drill, 3/32" bit size
- Phillips Screwdriver
- Drill Bit, Square, #2



2

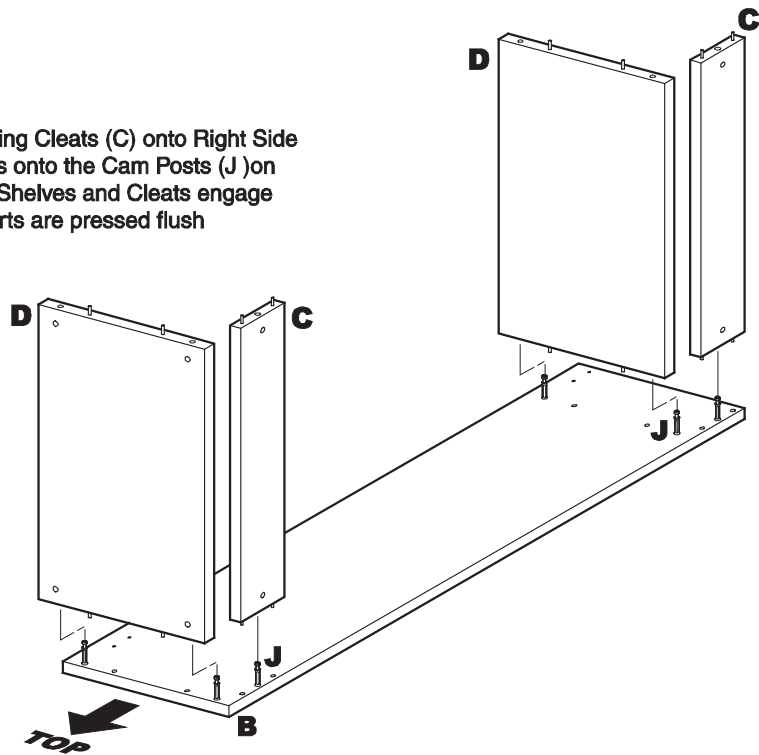


3

3.1 Assemble Set Shelves (D) and Rear Hanging Cleats (C) onto Right Side Panel (B) by sliding the Shelves and Cleats onto the Cam Posts (J) on Right Side Panel. BE SURE dowel pins in Shelves and Cleats engage drilled holes in Right Side Panel, and all parts are pressed flush against Right Side Panel.

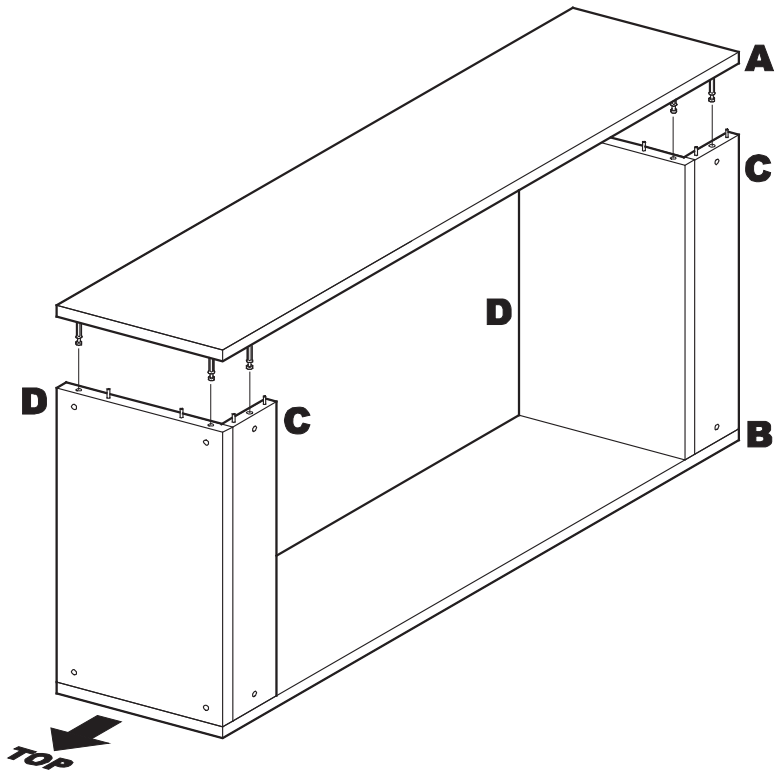
IMPORTANT NOTES

- Install Set Shelves (D) with finished edges facing forward (toward front of unit).
- Install Rear Hanging Cleats (C) with holes for Cam Locks facing the rear of the unit and the unfinished edge against the Set Shelf (D).
- Install upper Set Shelf (D) with holes for Cam Locks facing the top of the unit.
- Install lower Set Shelf (D) with holes for Cam Locks facing the bottom of the unit.



4

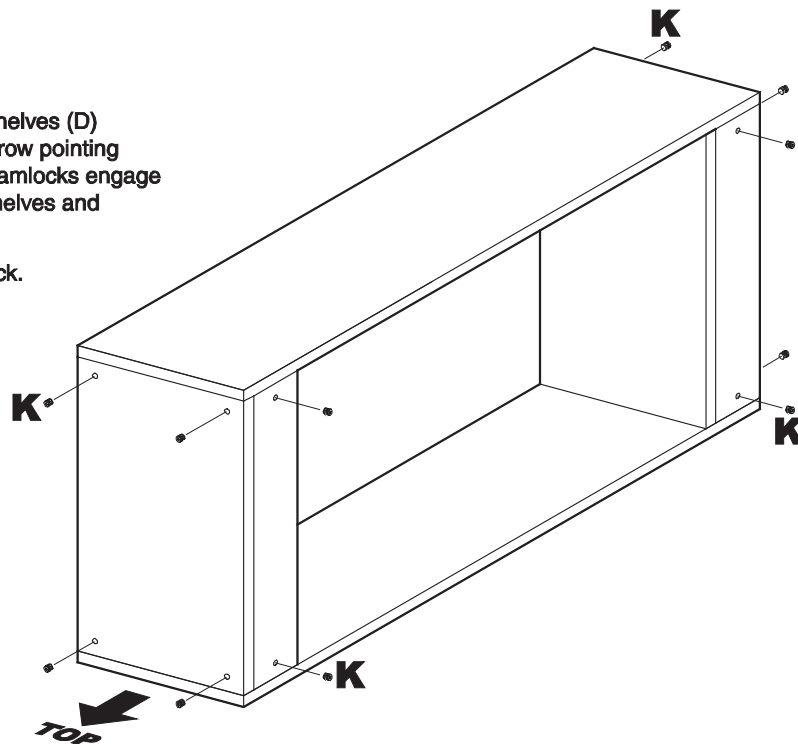
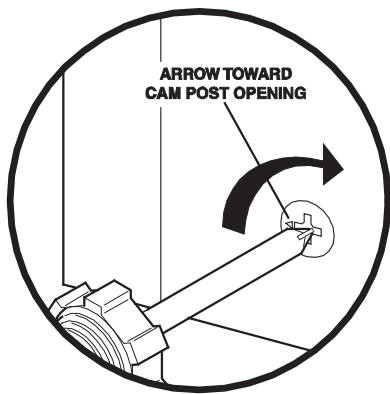
3.1 Install Left Side Panel (A) onto assembled Set Shelves (D) and Rear Hanging Cleats (C). BE SURE dowel pins in Shelves and Cleats engage drilled holes in Left Side Panel, and Left Side Panel is pressed flush against Set Shelves and Cleats.



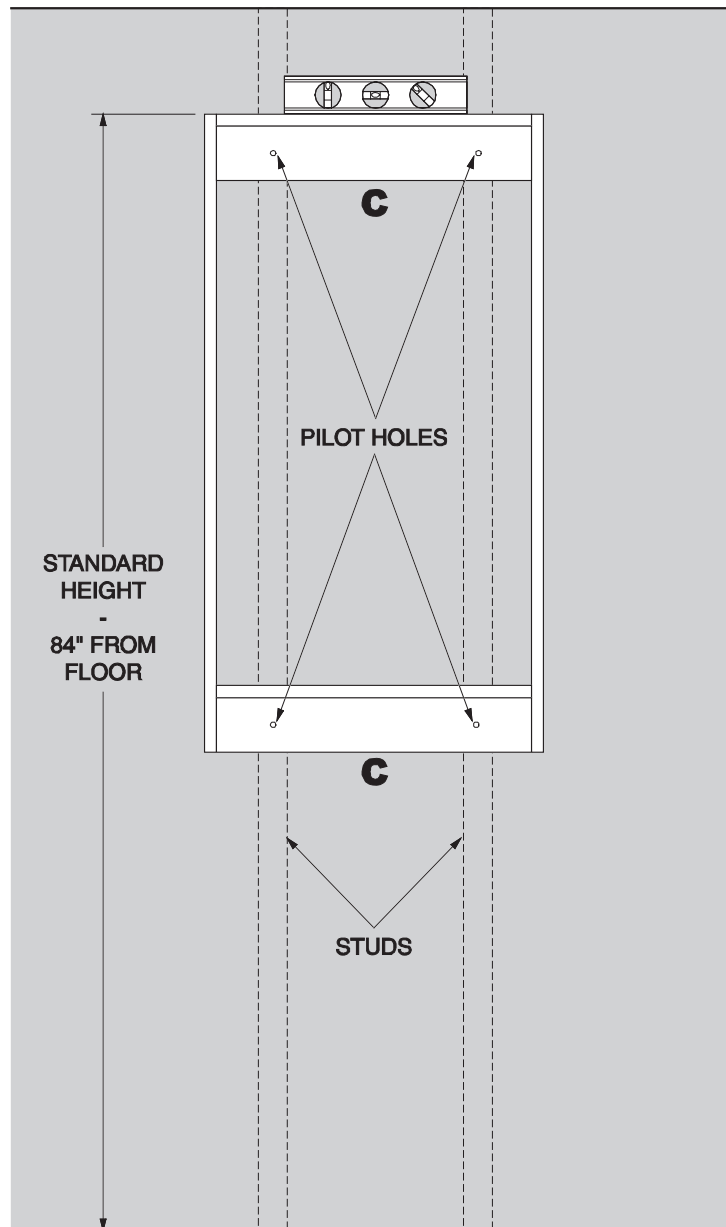
5

5.1 Insert Camlocks (K) in holes in Set Shelves (D) and Rear Hanging Cleats (C), with arrow pointing toward Cam Post opening. Be sure Camlocks engage Cam Posts, and are fully seated in Shelves and Cleats.

5.2 Tighten Camlocks (K) clockwise to lock.



6

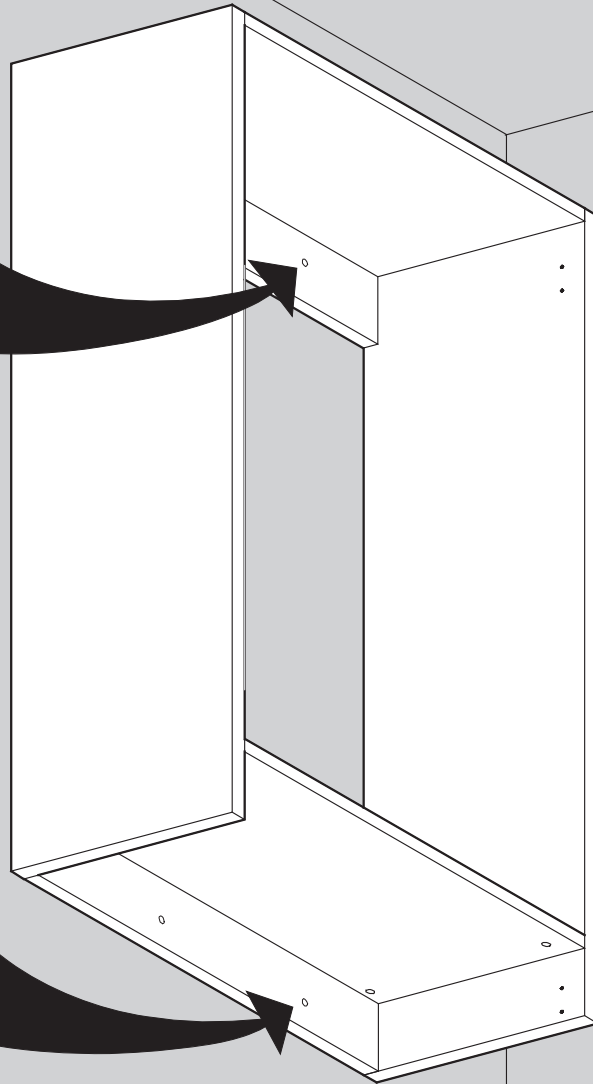
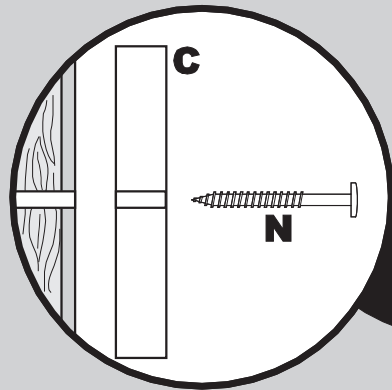
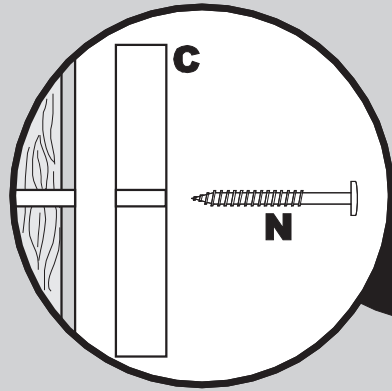


INSTALLATION

- 6.1** Determine the mounting location for the unit.
- 6.2** Using a stud finder, locate studs to which the unit will be secured. Mark stud locations with a pencil.
- 6.3** With the unit positioned at the desired location, level the unit, then drill pilot holes through Rear Hanging Cleats (C),

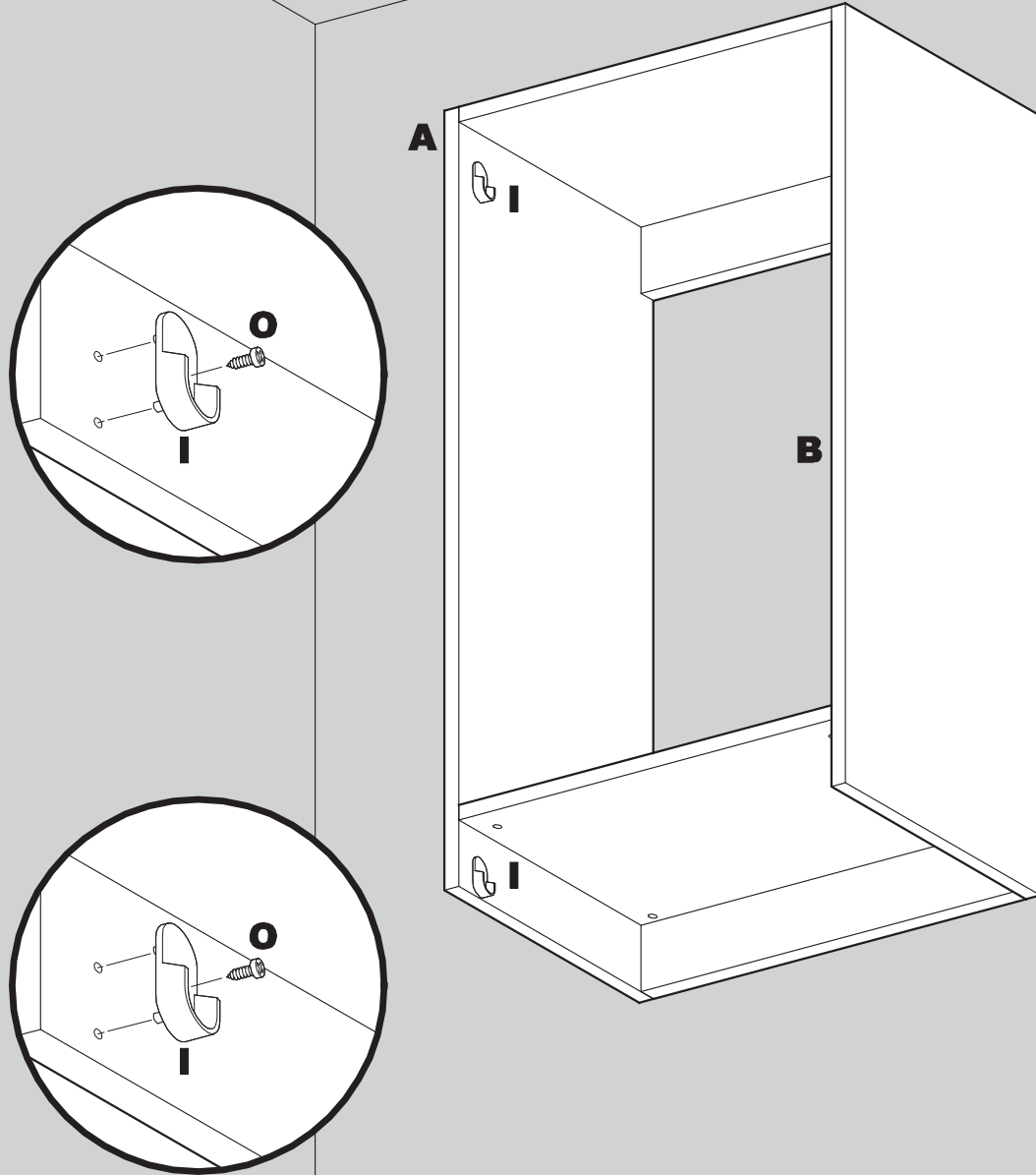
NOTE: For units under 25-1/2 inches wide, it is likely that only one stud will pass through the unit. In these cases, use two screws through each Rear Hanging Cleat.

7



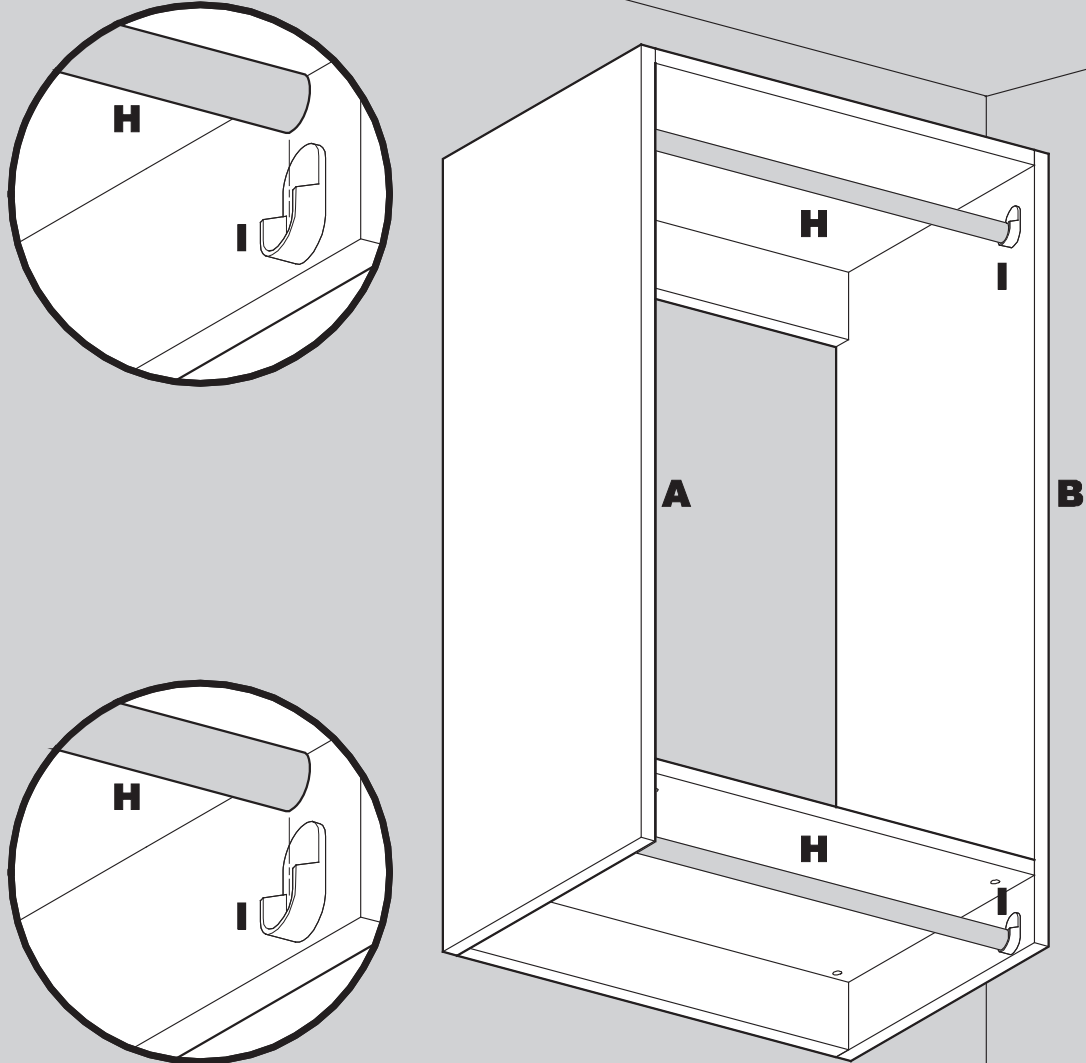
7.1 Secure Rear Hanging Cleats (C) to studs using 2.5" Screws (N). Tighten Screws using Square Drill Bit and Drill.

8



8.1 Install two Rod Brackets (I) on Left Side Panel (A) and Right Side Panel (B) and secure each Bracket with one screw (O).

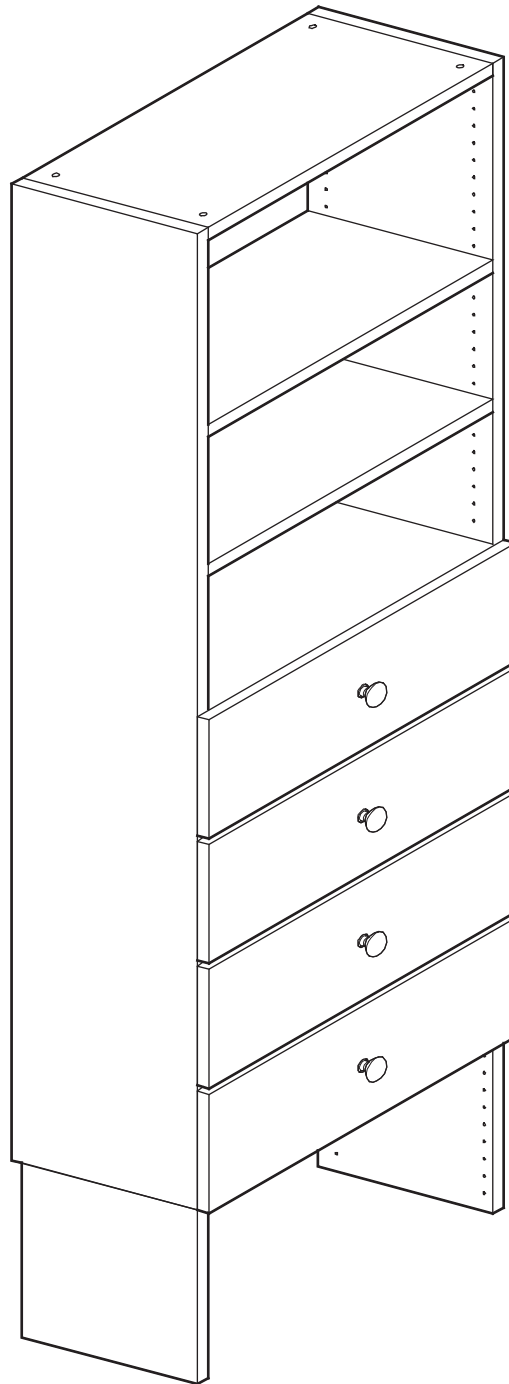
9



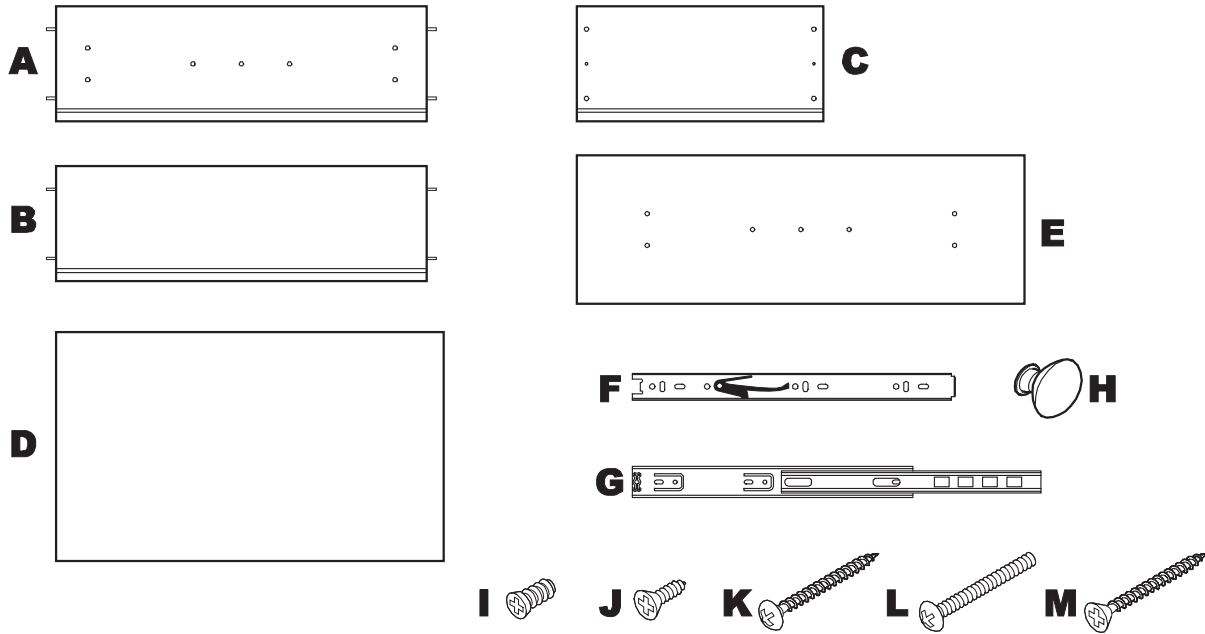
NOTE: Use care when installing Hanging Rods (H) to avoid scratching finish inside unit.

9.1 Lower each Hanging Rod (H) into Rod Brackets (I) on Left Side Panel (A) and Right Side Panel (B).

Drawer Kits

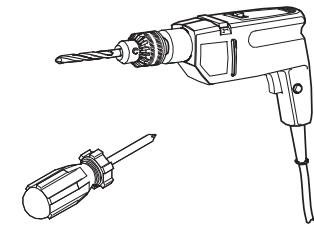


1



PARTS LIST

- | | |
|--------------------------------------|--|
| A Drawer Panel, Front (Qty 2) | H Drawer Knob (Qty 2) |
| B Drawer Panel, Rear (Qty 2) | I Screw, Drawer Slide, 5/8" (Qty 8) |
| C Drawer Panel, Side (Qty 4) | J Screw, Shelf Slide, 5/8" (Qty 8) |
| D Drawer Bottom (Qty 2) | K Screw, Drawer Front, 1.0" (Qty 8) |
| E Drawer Front (Qty 2) | L Screw, Drawer Knob, 1.5" (Qty 2) |
| F Drawer Slide (Qty 4) | M Screw, Drawer Side, 1.0" (Qty 8) |
| G Shelf Slide (Qty 4) | |



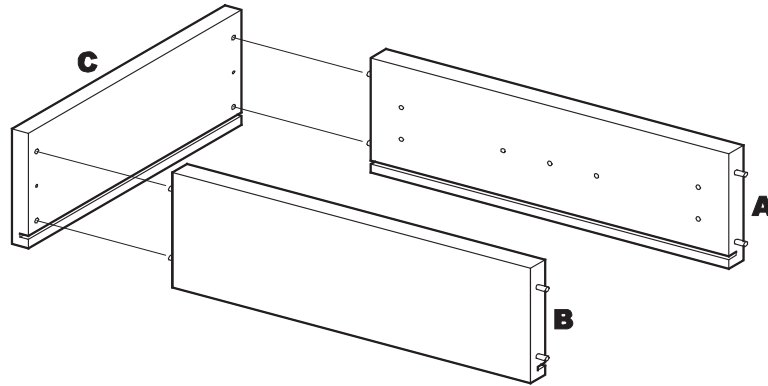
TOOLS REQUIRED
(not included)

Drill, 5/32" bit size
Phillips Screwdriver

NOTE: Each set of Drawer Slides (C) and Shelf Slides (D) are shipped assembled. To separate, lift the plastic catch on the Drawer Slide and pull the Slide out of the Shelf Slide.

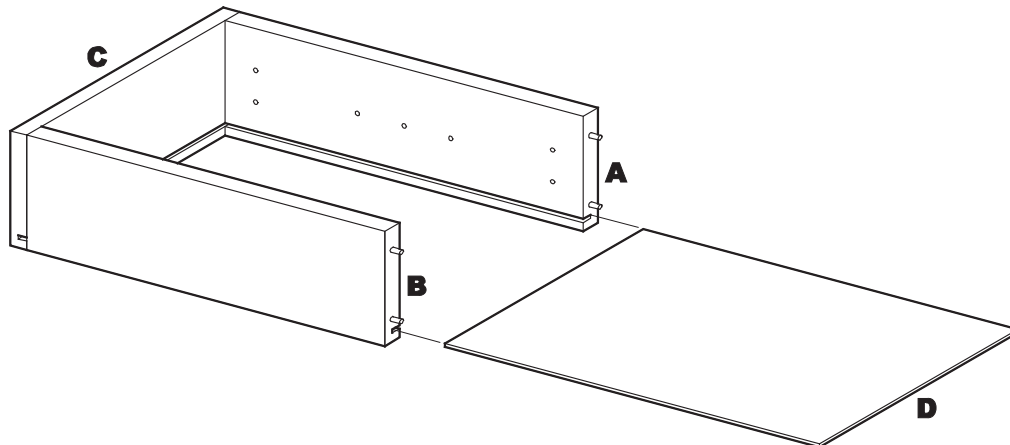
- 1.1** Lay parts out on a protective surface to prevent damage. *Tip: Spread out the cardboard packaging to use as a protective surface.*
- 1.2** Inventory parts against the Parts List. Make sure all parts are present before proceeding.

2



2.1 Align Wood Dowels (pre-installed) in Front Drawer Panel (A) and Rear Drawer Panel (B) with holes in one Side Drawer Panel (C), and press components together until flush.

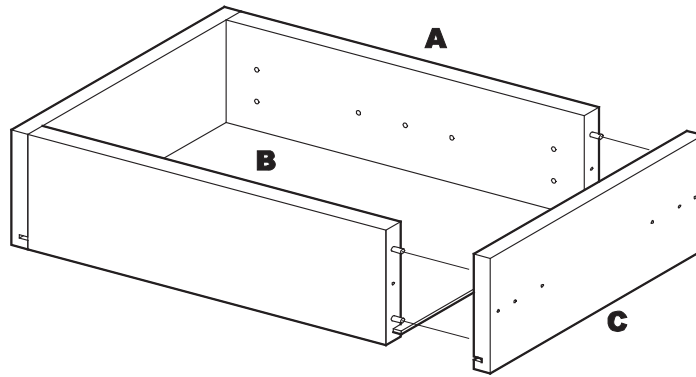
3



NOTE: Be sure to install Drawer Bottom (D) with finished side facing up.

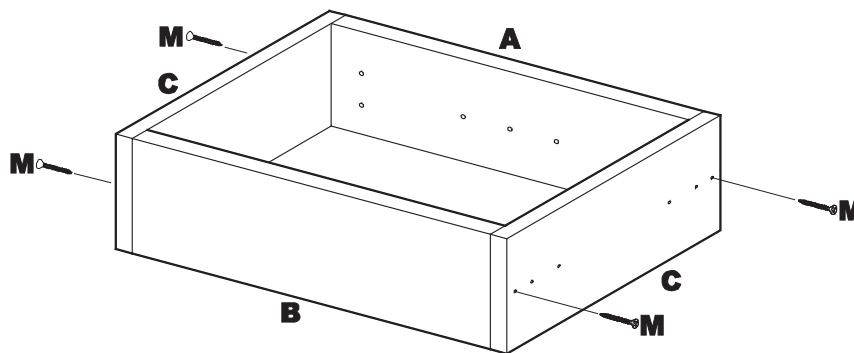
3.1 Align Drawer Bottom (D) with slots in Front Drawer Panel (A) and Rear Drawer Panel (B) then slide Drawer Bottom into assembled Drawer Panels until Drawer Bottom is seated against Side Drawer Panel (C).

4



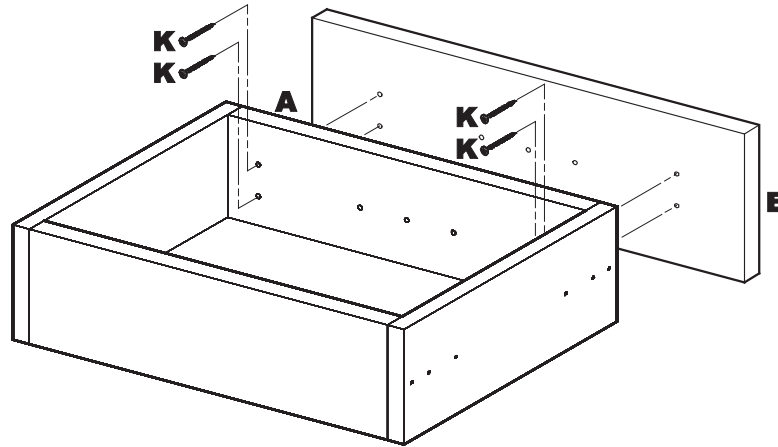
4.1 Align Side Drawer Panel (C) with Wood Dowels (pre-installed) in Front Drawer Panel (A) and Rear Drawer Panel (B) and press Side Drawer Panel (C) onto assembled components until flush.

5



5.1 Secure Side Drawer Panels (C) to Front Drawer Panel (A) and Rear Drawer Panel (B) using four 1.0" Drawer Side Screws (M).

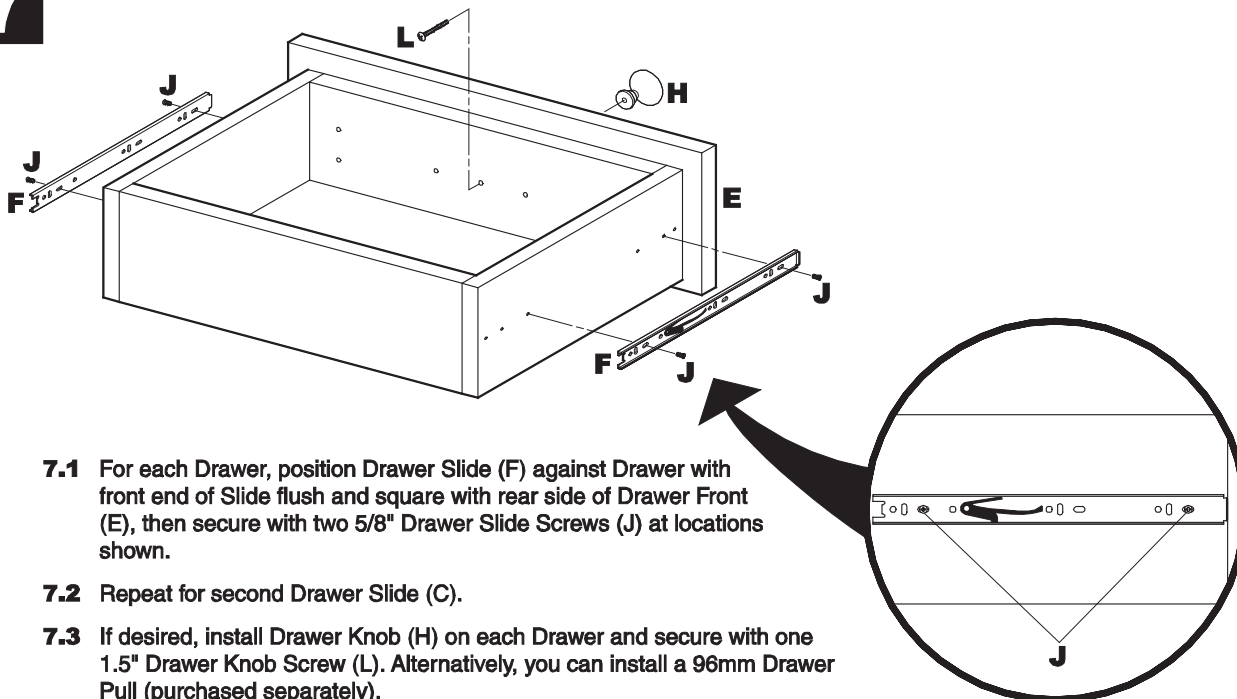
6



NOTE: DO NOT overtighten Screws (K) or surface of Drawer Front (B) may become dimpled.

- 6.1** Position Drawer Front (E) on each assembled Drawer and secure to Front Drawer Panel (A) with two 1.0" Drawer Front Screws (K).

7



- 7.1** For each Drawer, position Drawer Slide (F) against Drawer with front end of Slide flush and square with rear side of Drawer Front (E), then secure with two 5/8" Drawer Slide Screws (J) at locations shown.

- 7.2** Repeat for second Drawer Slide (C).

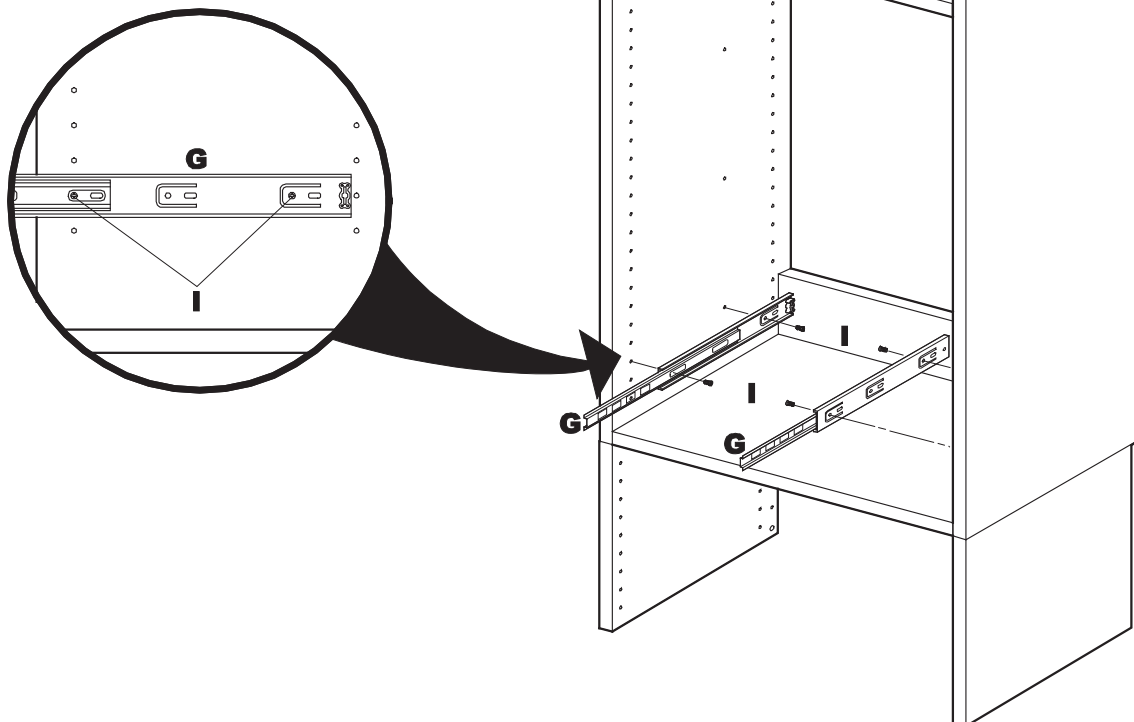
- 7.3** If desired, install Drawer Knob (H) on each Drawer and secure with one 1.5" Drawer Knob Screw (L). Alternatively, you can install a 96mm Drawer Pull (purchased separately).

8

8.1 For each Drawer, position Shelf Slide (G) over pre-drilled holes in shelf side panel, then secure with two 5/8" Shelf Slide Screws (I) at locations shown.

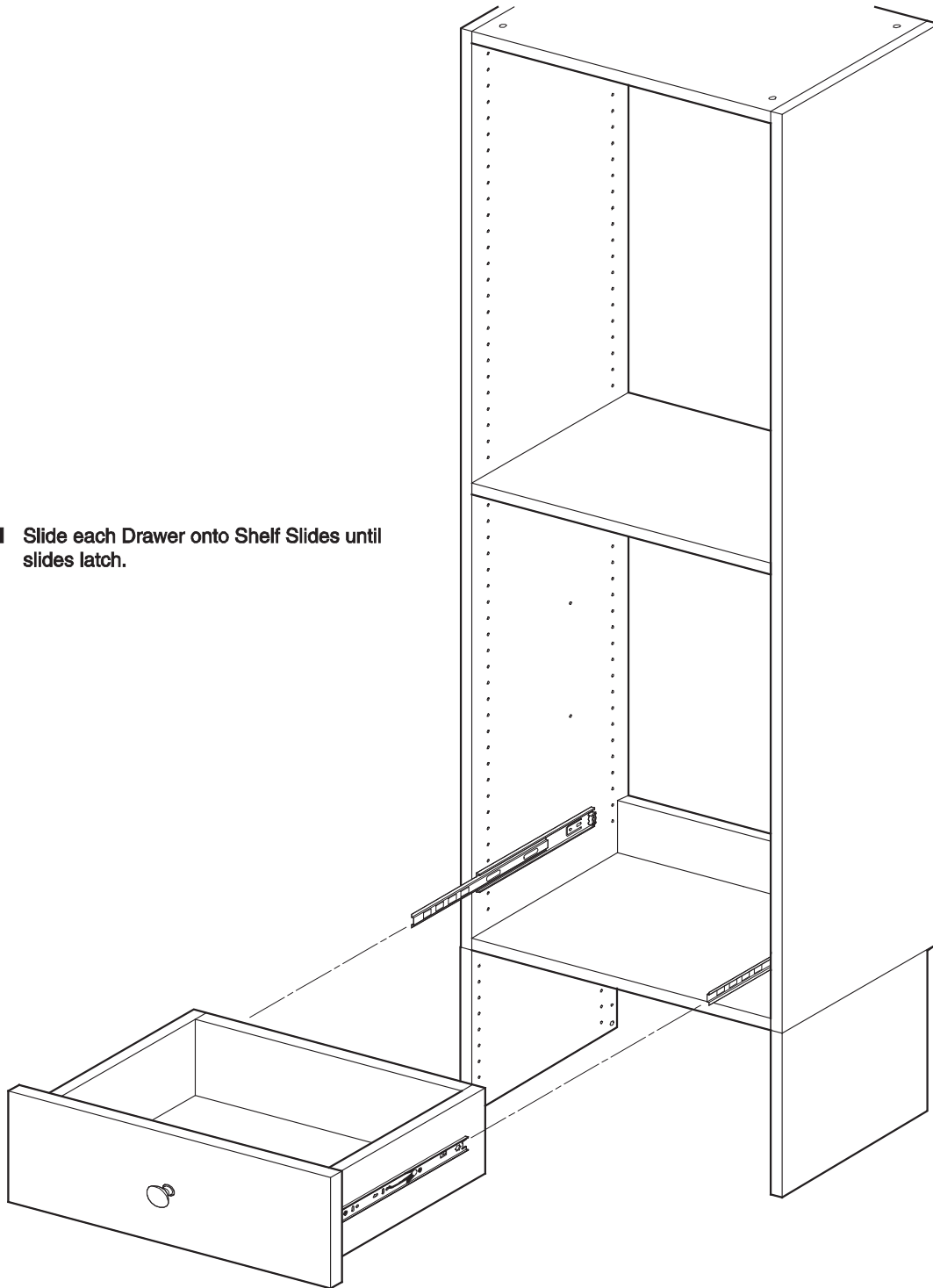
8.2 Repeat for second Shelf Slide (G).

Tip: For best results, use a small level to ensure Shelf Slides (G) are properly positioned before tightening.

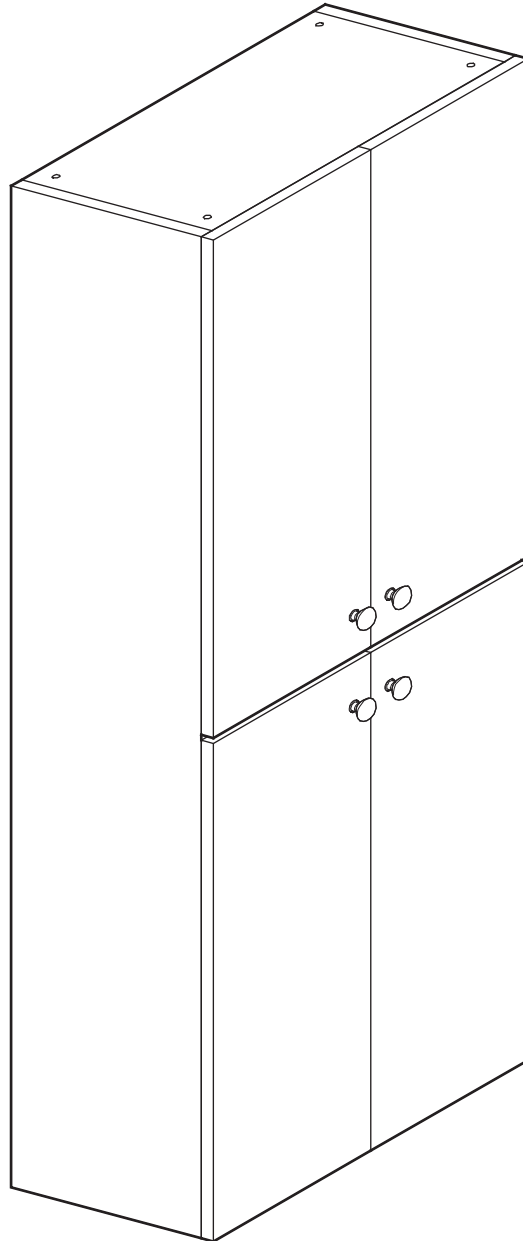


9

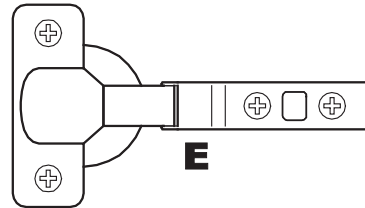
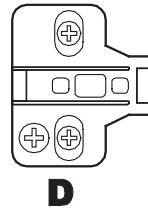
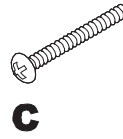
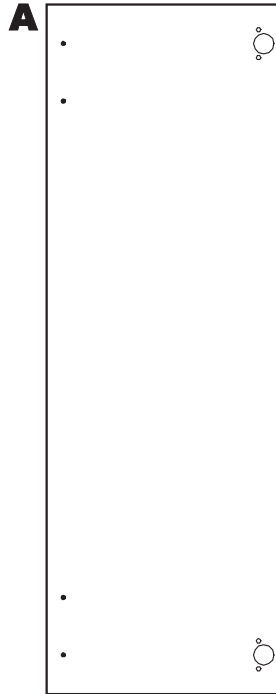
9.1 Slide each Drawer onto Shelf Slides until slides latch.



Door Kits

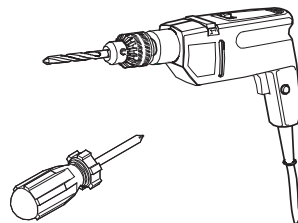
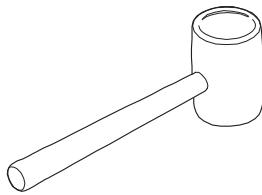


1



PARTS LIST

- A** Door (Qty 1)
- B** Door Knob (Qty 1)
- C** Screw, 1.5" (Qty 1)
- D** Hinge Plate (Qty 2)
- E** Hinge (Qty 2)



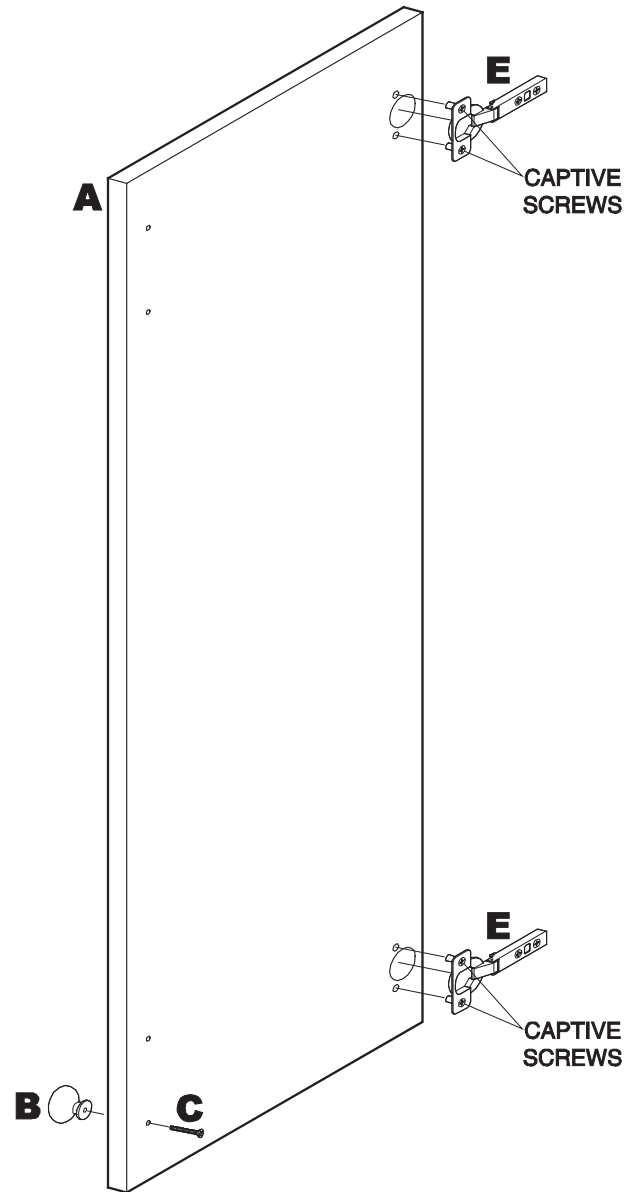
TOOLS REQUIRED (not included)

- Rubber Mallet
- Phillips Screwdriver
- Drill, 5/32" bit size

1.1 Lay parts out on a protective surface to prevent damage. *Tip: Spread out the cardboard packaging to use as a protective surface.*

1.2 Inventory parts against the Parts List. Make sure all parts are present before proceeding.

2

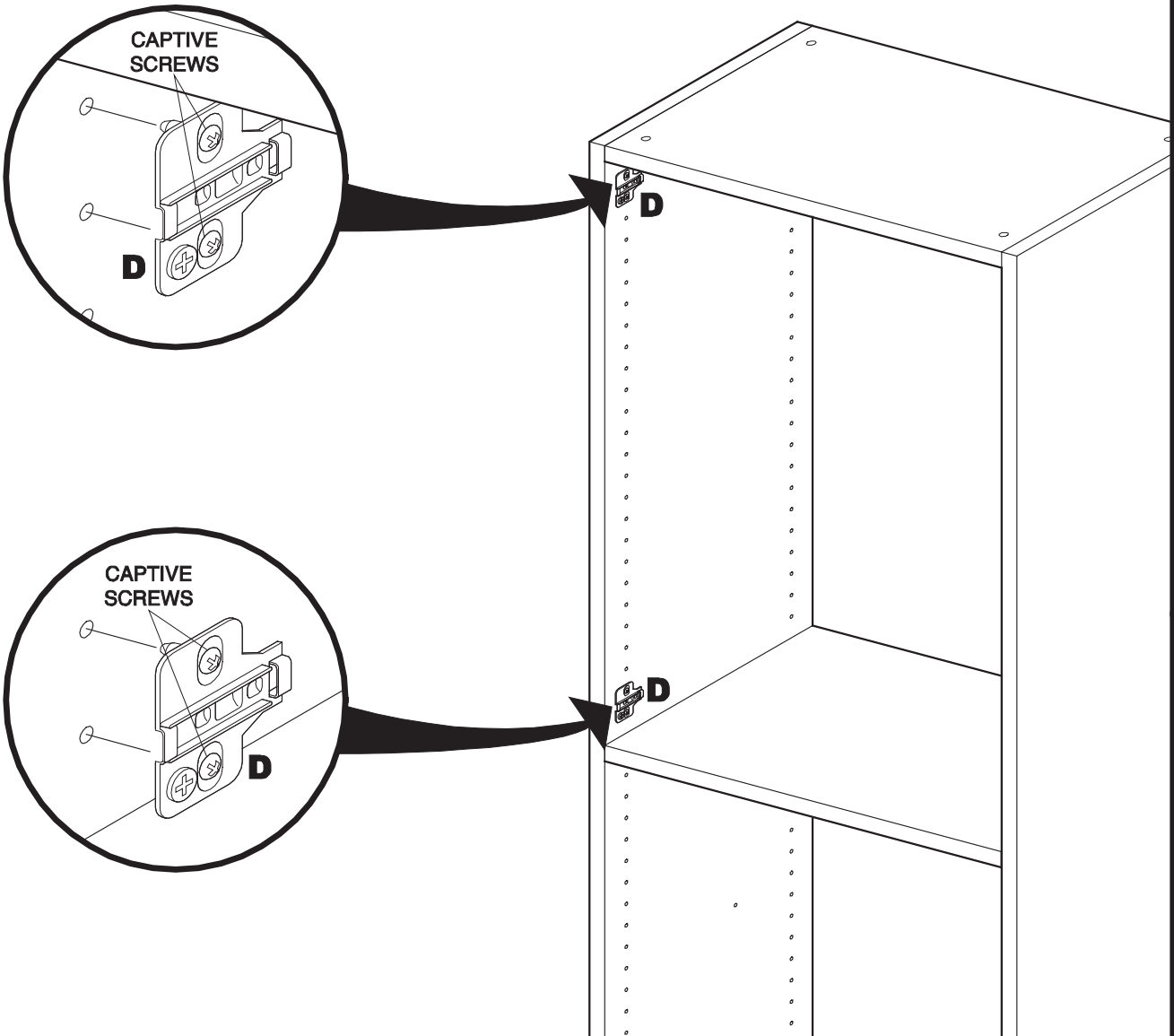


2.1 Align rear plugs and hinge cup on Hinge (E) with recesses in Door (A), then press Hinge onto Door until flush. Tighten captive screws to expand plugs and secure Hinge in place.

If necessary, use a rubber mallet to tap hinge into place before tightening captive screws.

2.2 Install Door Knob (B) on Door (A) and secure with one 1.5" Screw (C). Alternatively, you can install a 96mm Door Pull (purchased separately).

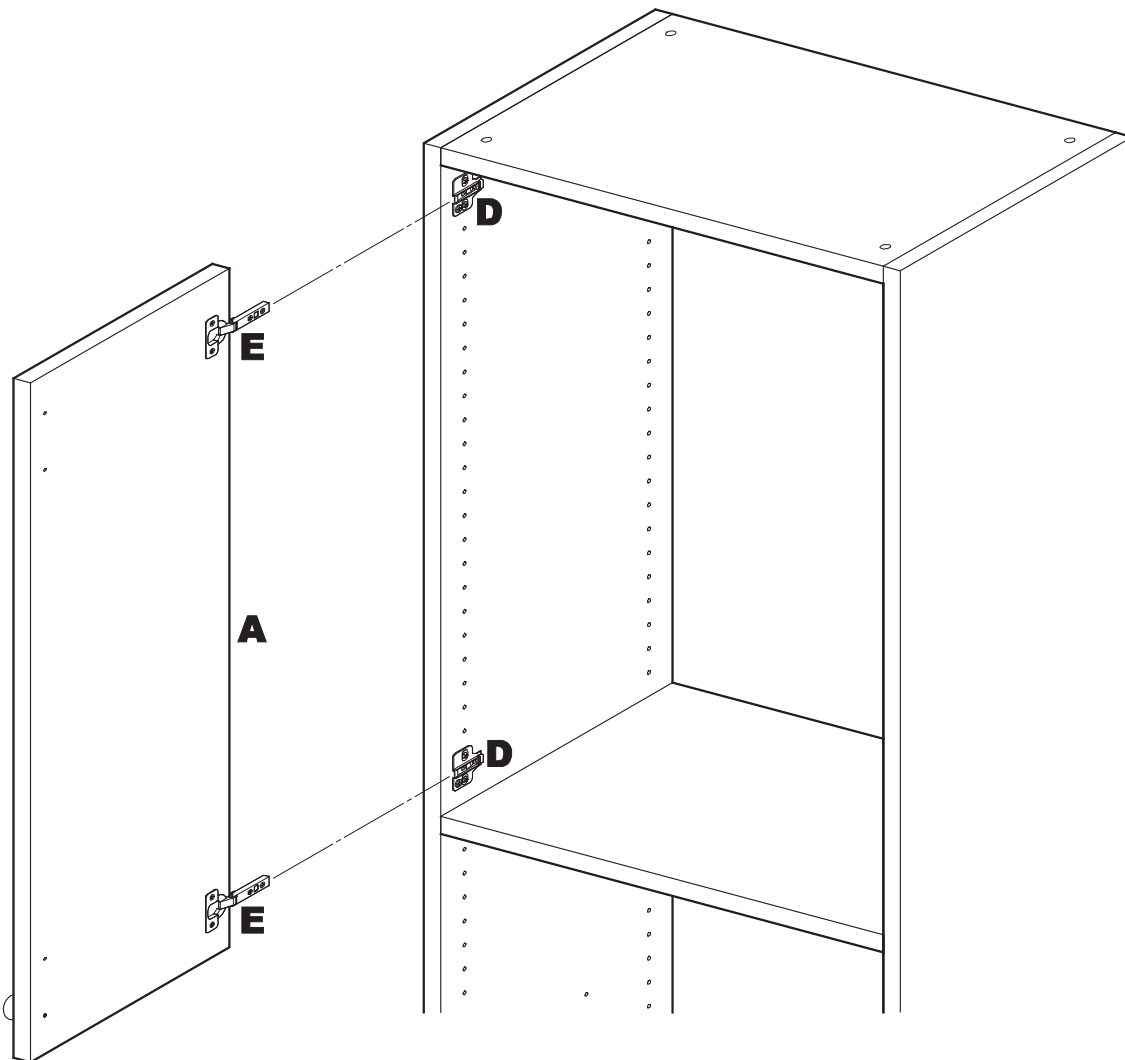
3



3.1 Align rear plugs on Hinge Plates (D) with two upper and lower holes in Tower, then press Hinge Plates onto Tower until flush. Tighten captive screws to expand plugs and secure Hinge Plates in place.

If necessary, use a rubber mallet to tap Hinge Plates into place before tightening captive screws.

4



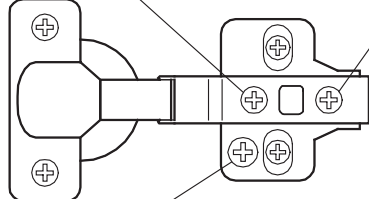
4.1 Align Hinges (E) on Door (A) with Hinge Plates (D) in Tower, then slide onto Hinge Plates. Make sure hook on bottom of each Hinge engages raised edge of Hinge Plate, then press Hinge onto Hinge Plate until Hinge snaps in place.

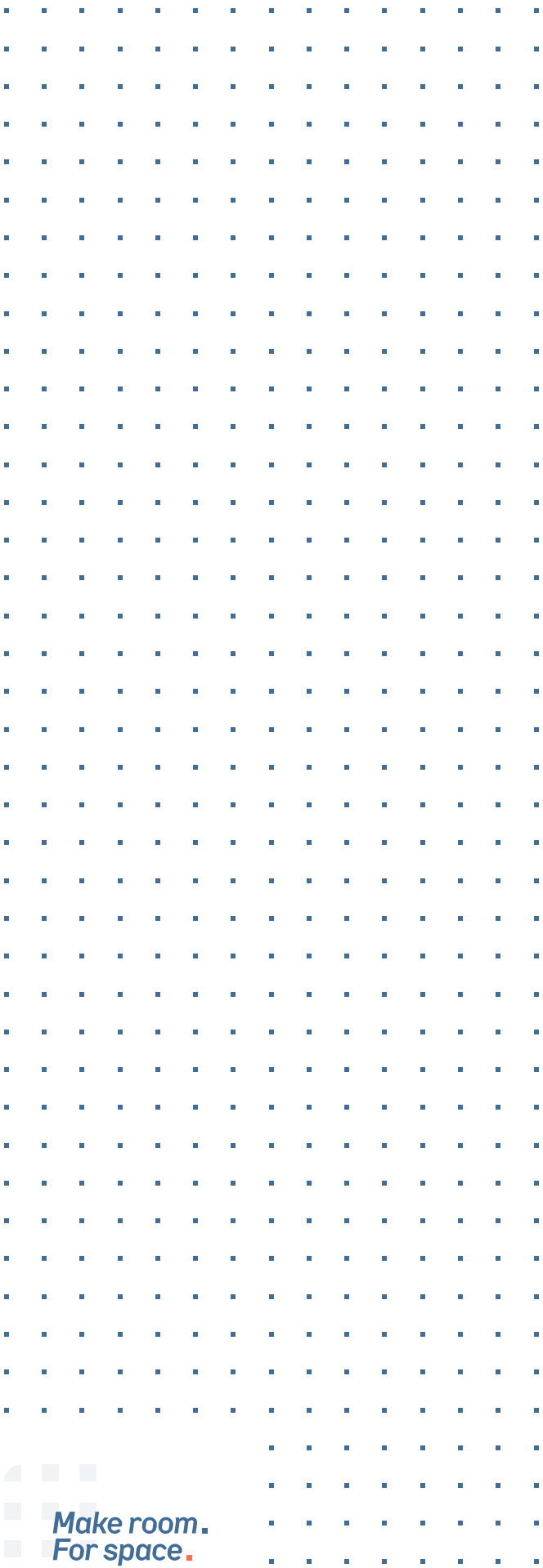
ADJUSTS POSITION OF HINGE
IN OR OUT (DEPTH)

ADJUSTS POSITION OF
HINGE SIDE TO SIDE

PRESS TO RELEASE HINGE
FROM HINGE PLATE

ADJUSTS POSITION OF
HINGE UP AND DOWN





 *Make room.
For space.*



MODULAR CLOSETS

(844) 969-4247
160 Airport Road, Suite 4
LAKEWOOD, NJ 08701

www.modularclosets.com