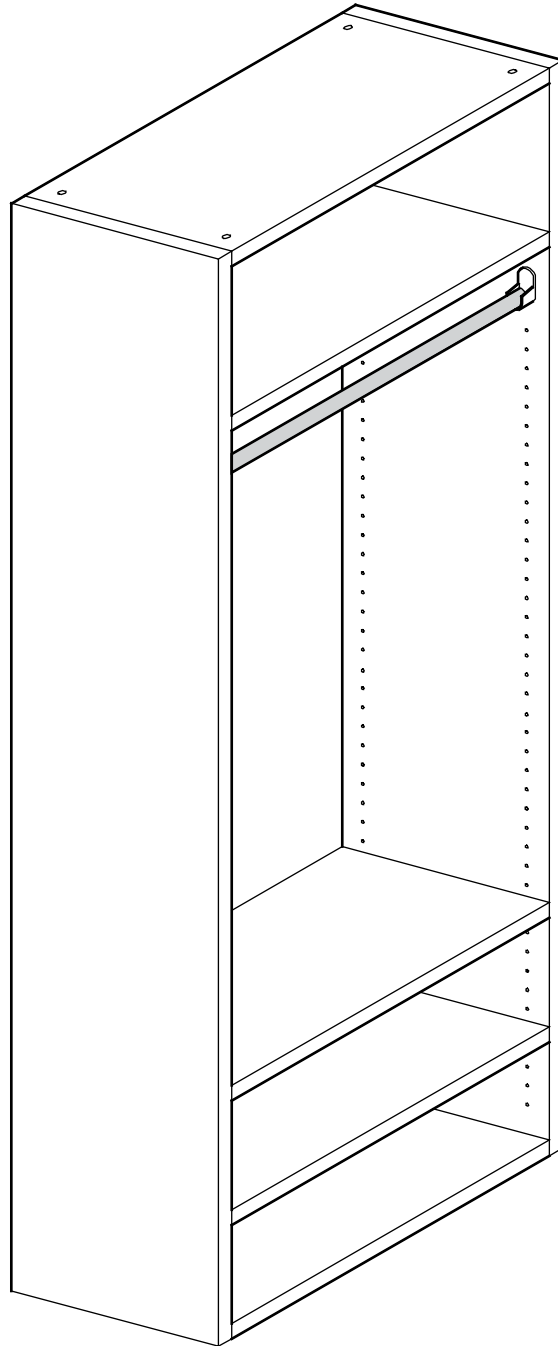


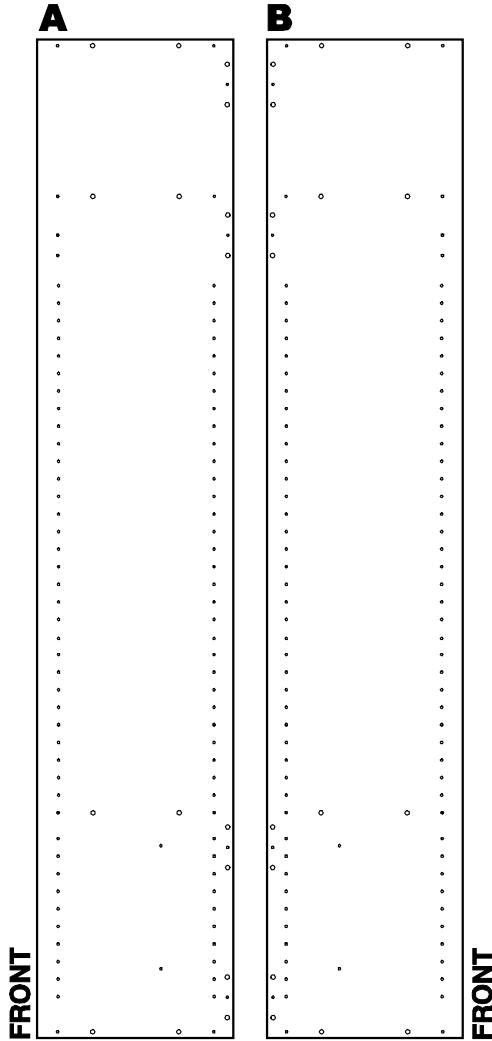
Hanging Tower Unit



1A

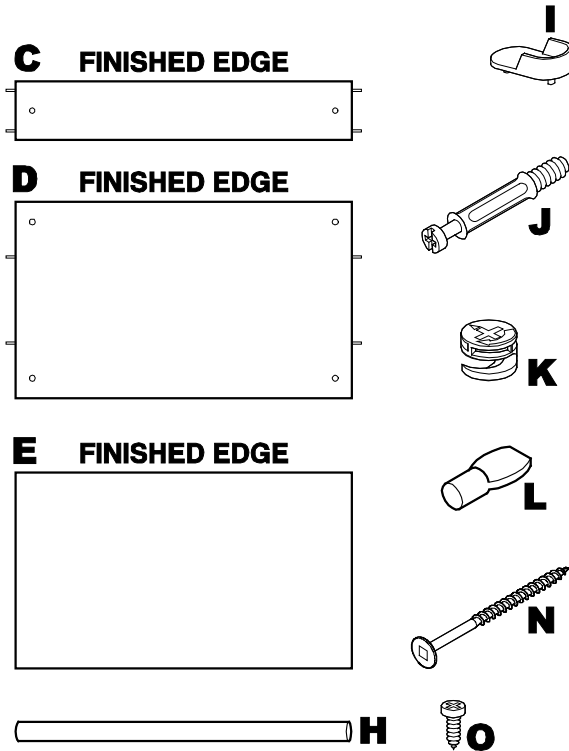
PARTS LIST

BOX 1



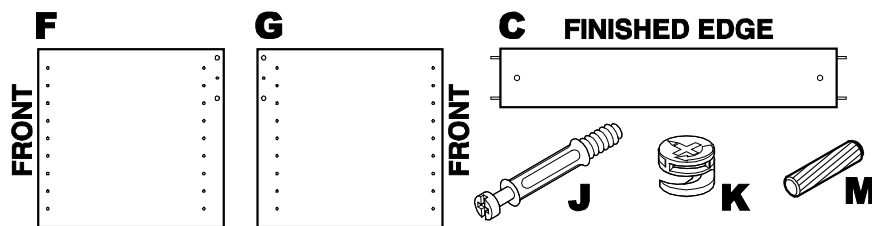
- A** Left Side Panel (Qty 1)
- B** Right Side Panel (Qty 1)

BOX 2



- C** Rear Hanging Cleat (Qty 4)
- D** Set Shelf (Qty 4)
- E** Adjustable Shelf (Qty 1)
- H** Hanging Rod (Qty 1)
- I** Rod Bracket (Qty 2)
- J** Cam Post (Qty 24)
- K** Camlock (Qty 24)
- L** Shelf Pins (Qty 4)
- N** Screw, Square Drive, 2.5" (Qty 8)

BOX 3 - Leg Extension Kit (Optional)



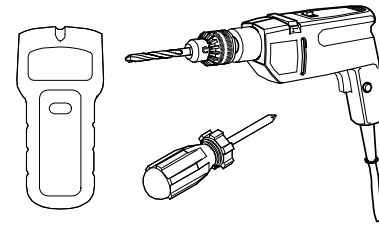
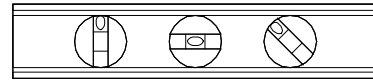
- C** Rear Hanging Cleat (Qty 1)
- F** Left Leg Extension (Qty 1)
- G** Right Leg Extension (Qty 1)
- J** Cam Post (Qty 2)
- K** Camlock (Qty 2)
- M** Wood Dowels (Qty 4)

1B

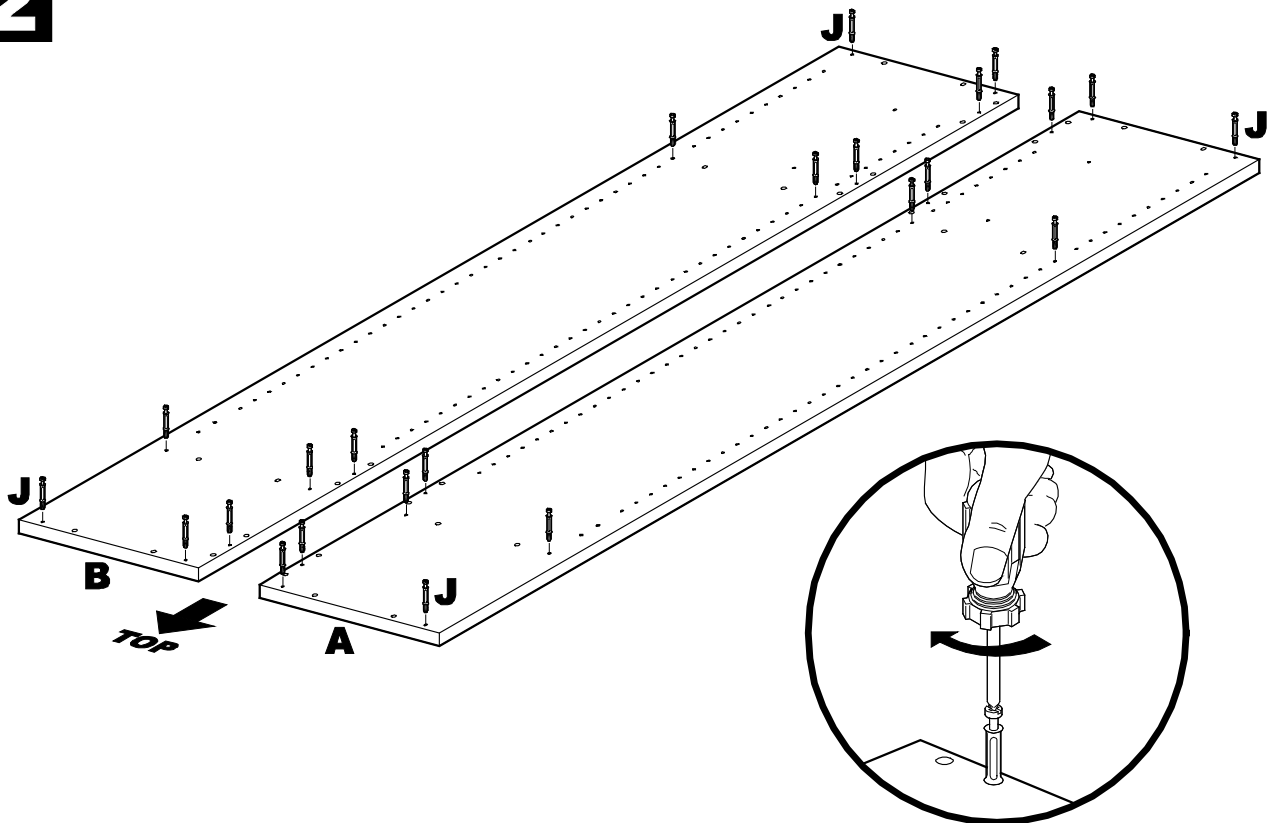
- 1.1** Lay parts out on a protective surface to prevent damage.
Tip: Spread out the cardboard packaging to use as a protective surface.
- 1.2** Inventory parts against the Parts List. Make sure all parts are present before proceeding.

TOOLS REQUIRED (not included unless noted)

- Level
- Stud Finder
- Drill, 3/32" bit size
- Phillips Screwdriver
- Drill Bit, Square, #2

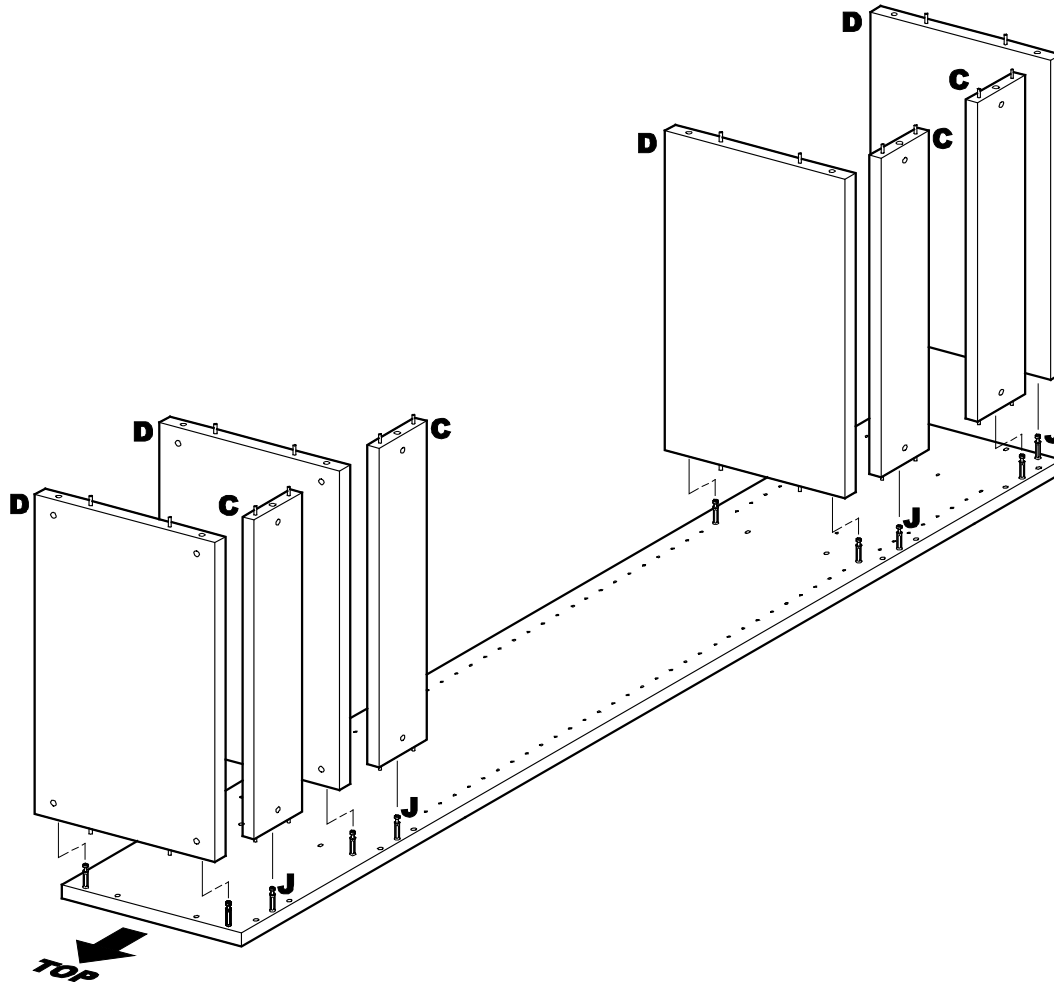


2



- 2.1** Install one Cam Post (J) into each of the 12 holes on Left Side Panel (A) and Right Side Panel (B). Tighten until Cam Posts are seated against Side Panels.

3



3.1 Assemble Set Shelves (D) and Rear Hanging Cleats (C) onto Right Side Panel (B) by sliding the Shelves and Cleats onto the Cam Posts (J) on Side Panel. BE SURE dowel pins in Shelves and Cleats engage drilled holes in Side Panel, and all parts are pressed flush against Side Panel.

IMPORTANT NOTES

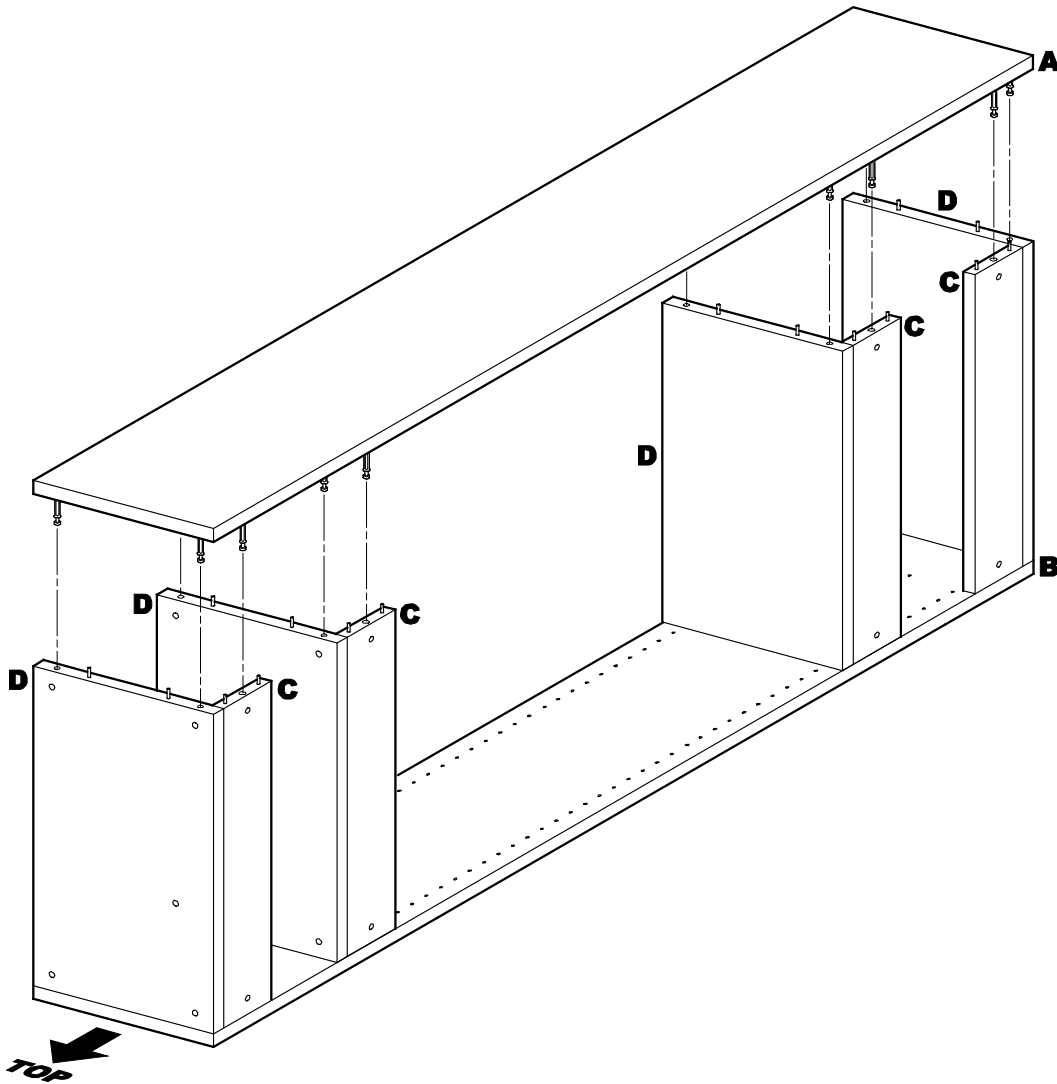
Install Set Shelves (D) with finished edges facing forward (toward front of unit).

Install Rear Hanging Cleats (C) with holes for Cam Locks facing the rear of the unit and the unfinished edge against the Set Shelf (D).

Install upper Set Shelves (D) with holes for Cam Locks facing the top of the unit.

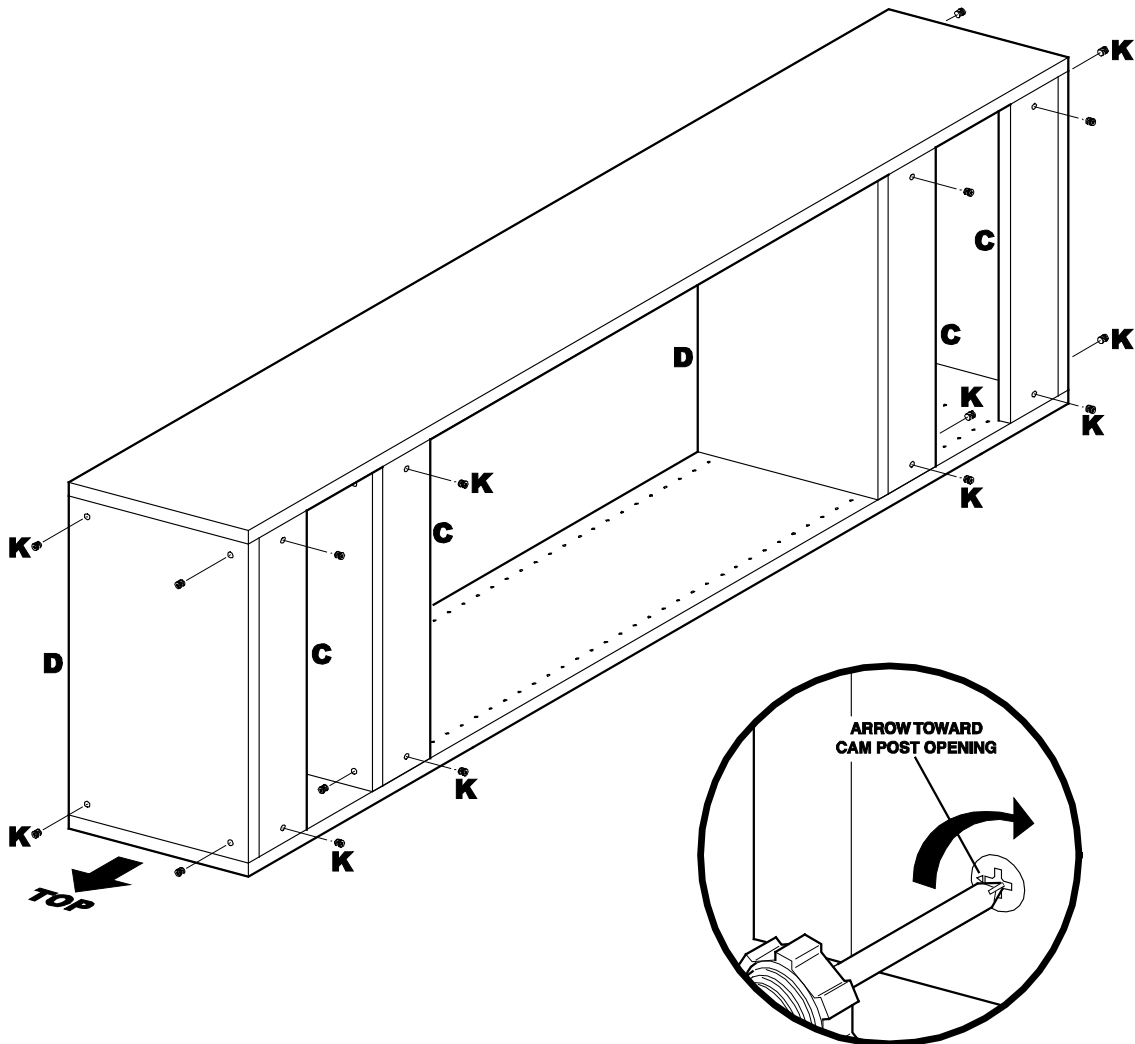
Install lower Set Shelves (D) with holes for Cam Locks facing the bottom of the unit.

4



4.1 Install Left Side Panel (A) onto assembled Set Shelves (D) and Rear Hanging Cleats (E). BE SURE dowel pins in Shelves and Cleats engage drilled holes in Side Panel, and Side Panel is pressed flush against Set Shelves and Cleats.

5

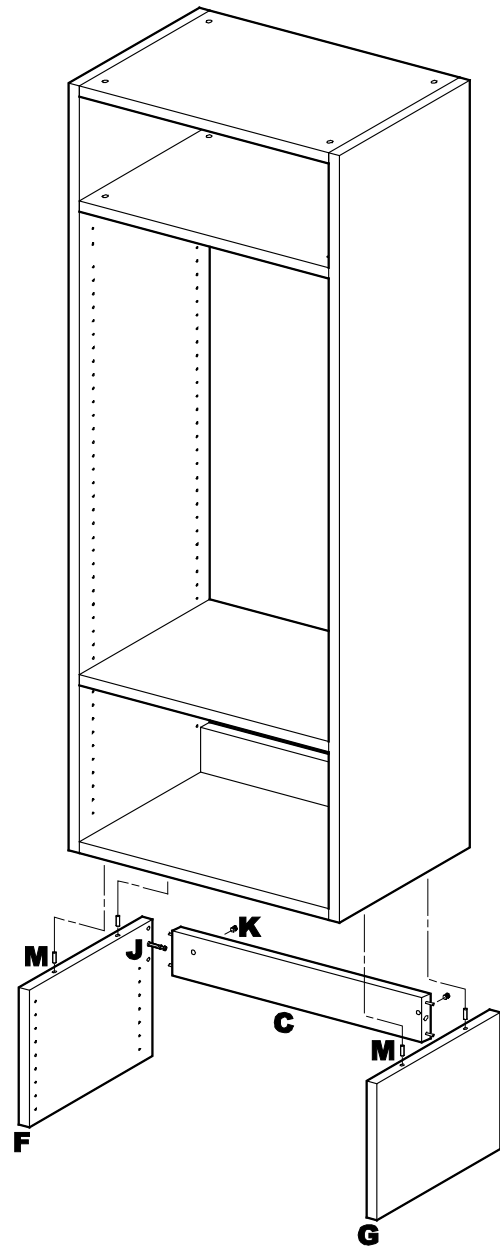
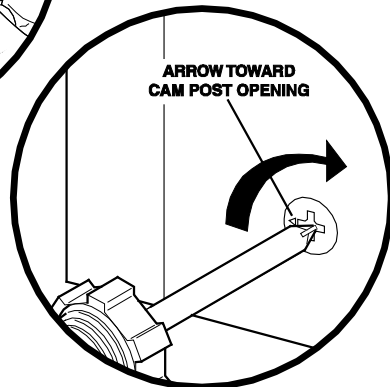
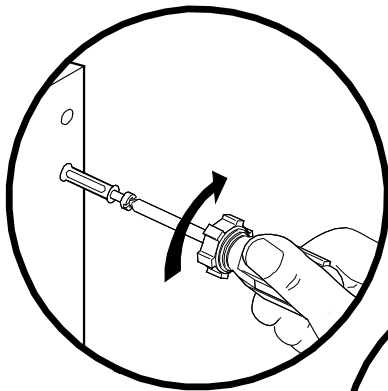


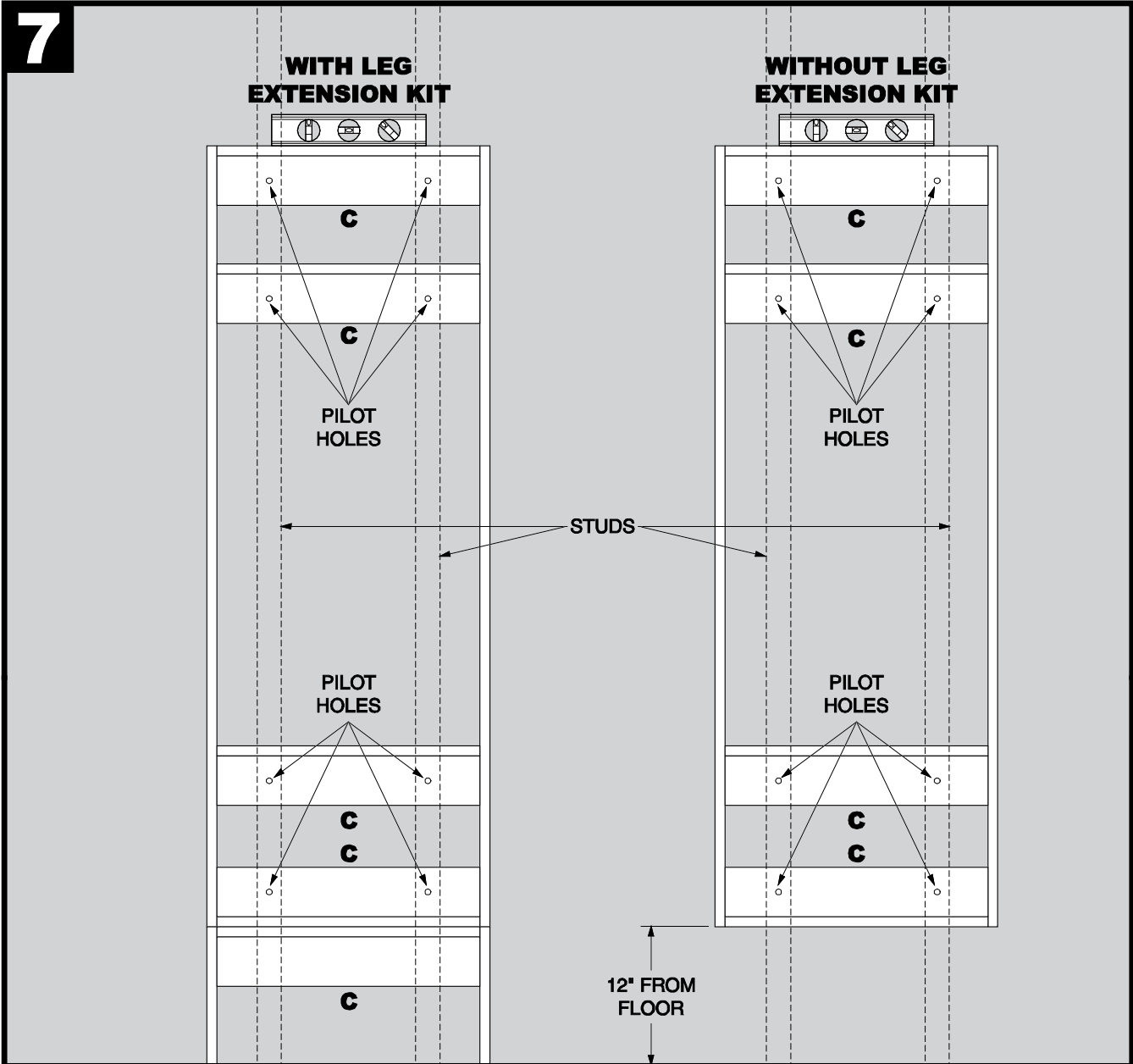
- 5.1** Insert Camlocks (K) in holes in Set Shelves (D) and Rear Hanging Cleats (C), with arrow pointing toward Cam Post opening. Be sure Camlocks engage Cam Posts, and are fully seated in Shelves and Cleats.
- 5.2** Tighten Camlocks (K) clockwise to lock.

6

FOR LEG EXTENSION KIT INSTALLATIONS ONLY
Leg Extension Kit purchased separately)

- 6.1** Insert four Wood Dowels (M) into holes in edges of Left Leg Extension (F) and Right Leg Extension (G).
- 6.2** Install one Cam Post (J) each into Left Leg Extension (F) and Right Leg Extension (G). Tighten until Cam Posts are seated against Leg Extensions.
- 6.3** Assemble Left Leg Extension (F) and Right Leg Extension (G) onto Rear Hanging Cleat (C) by sliding the Cam Posts (J) into Cleat. BE SURE wood dowels in Cleat engage drilled holes in Leg Extensions, and all parts are pressed flush against each other.
- 6.4** Insert Camlocks (K) in holes in Rear Hanging Cleat (C), with arrow pointing toward Cam Post opening. BE SURE Camlocks engage Cam Posts, and are fully seated in Cleat. Tighten Camlocks (K) clockwise to lock.
- 6.5** Align Wood Dowels (K) in assembled Leg Extensions with holes in Shelf Tower, and press Tower and Leg Extensions together.





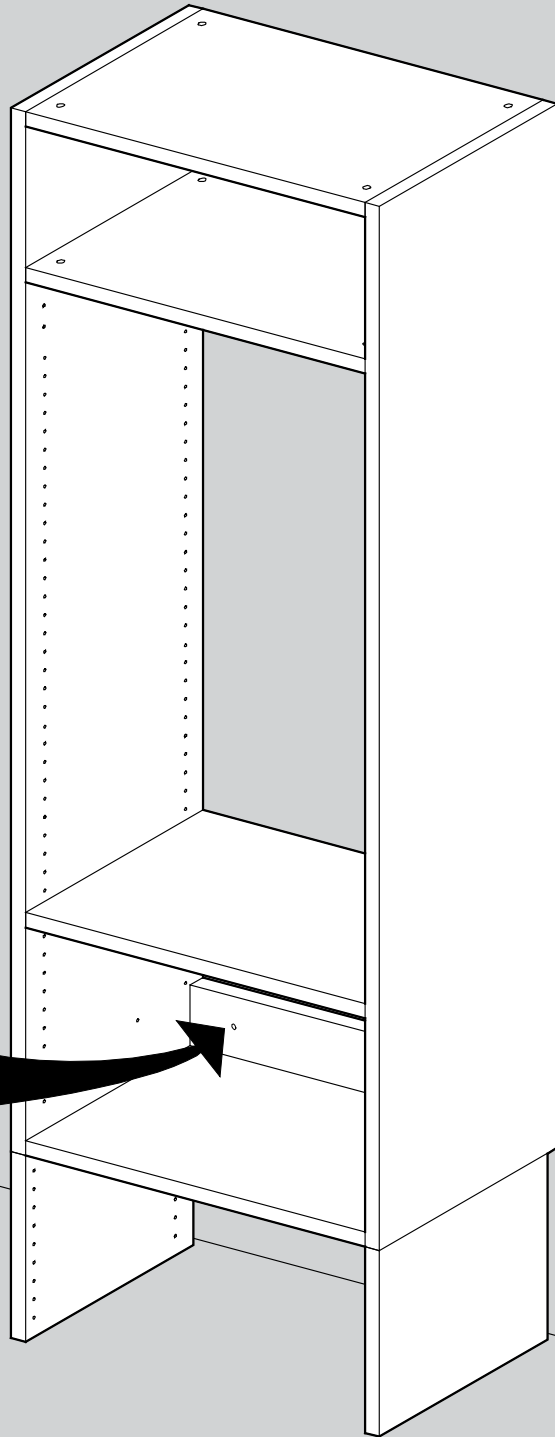
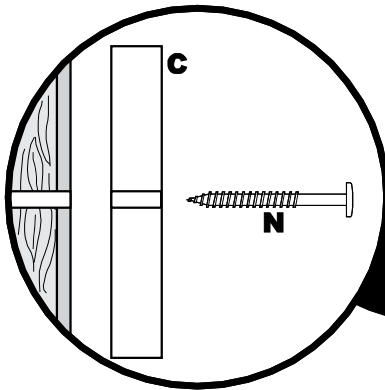
INSTALLATION

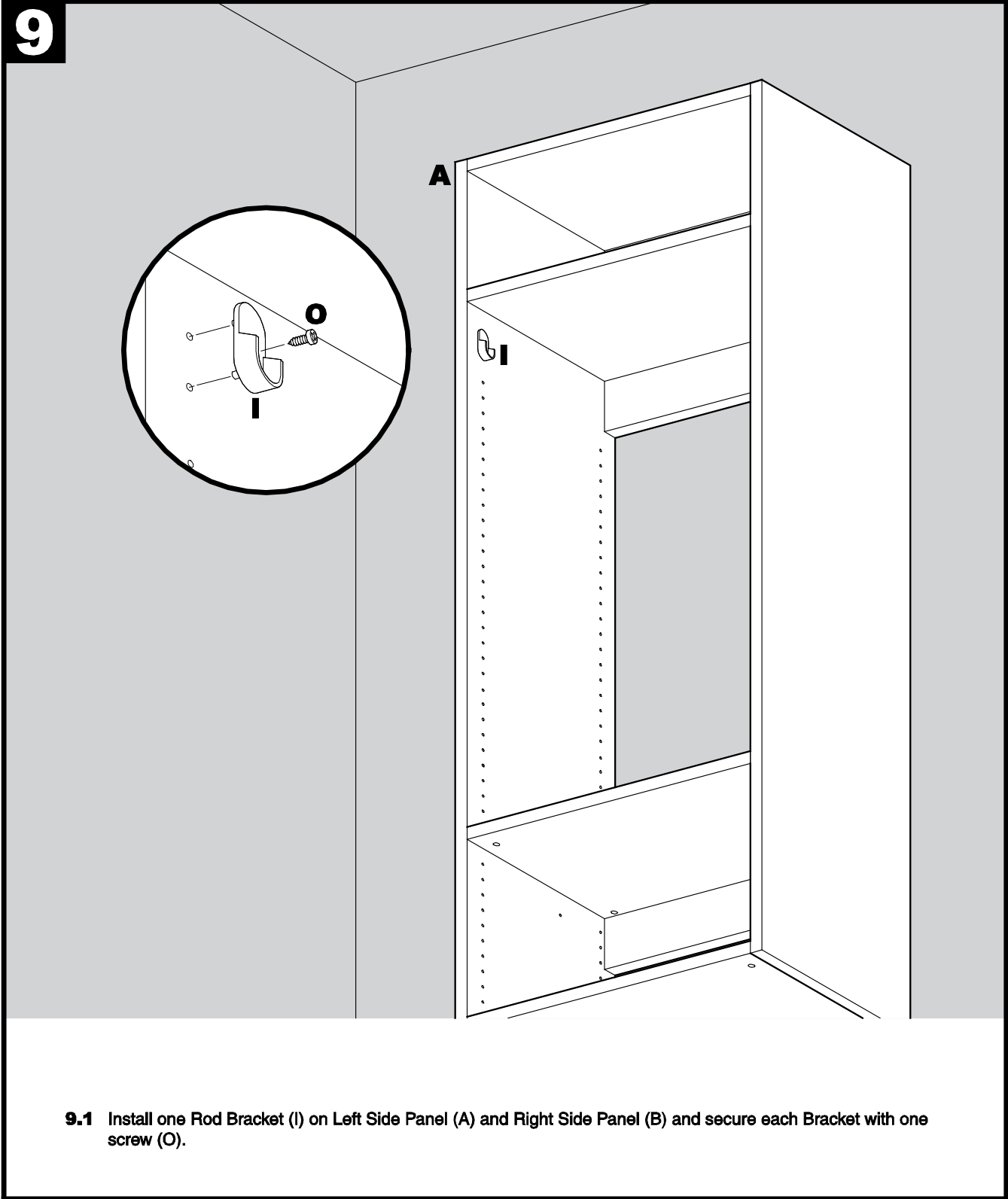
- 7.1** Determine the mounting location for the unit. The unit can be wall mounted or floor mounted (by installing the Floor Support Panels as shown in step 6).
- 7.2** Using a stud finder, locate studs to which the unit will be secured. Mark stud locations with a pencil.
- 7.3** With the unit positioned at the desired location, level the unit, then drill pilot holes through Rear Hanging Cleats (C),

NOTE: For units under 25-1/2 inches wide , it is likely that only one stud will pass through the unit. In these cases, use two screws through each Rear Hanging Cleat.

8

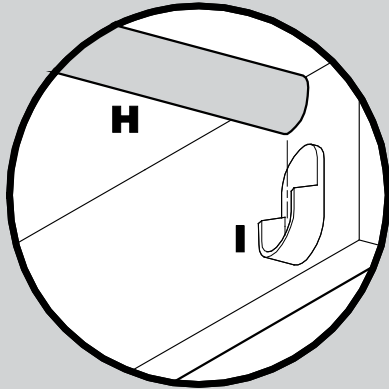
8.1 Secure Rear Hanging Cleats (C) to studs using 2.5" Screws (N). Tighten Screws using Square Drill Bit and Drill.



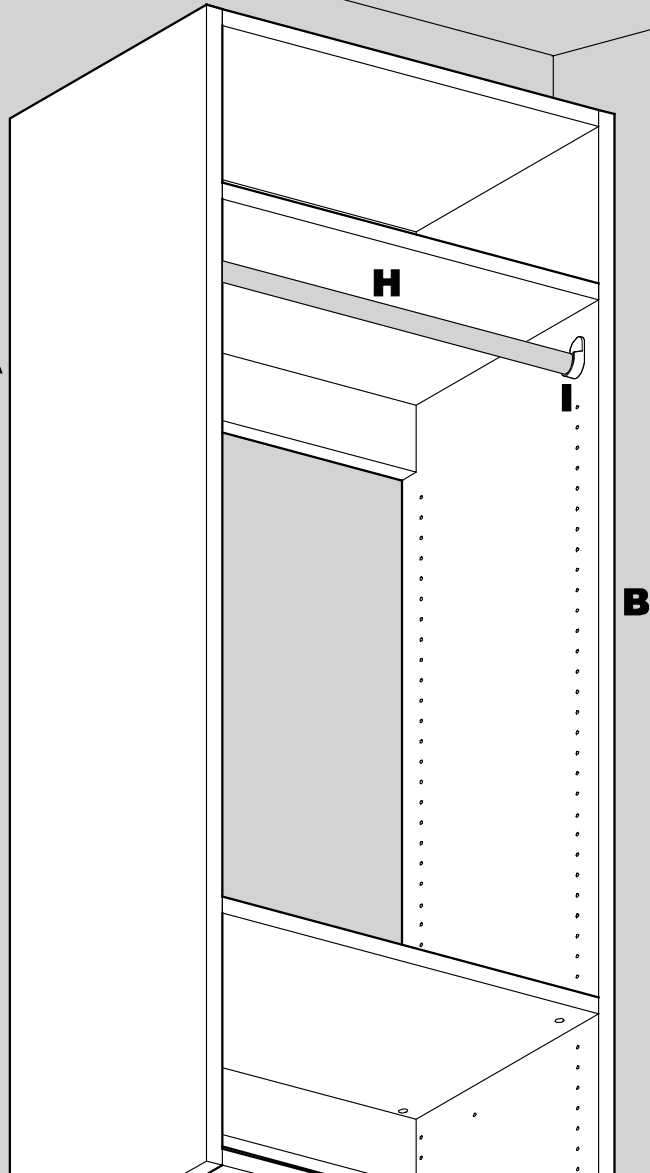


9.1 Install one Rod Bracket (I) on Left Side Panel (A) and Right Side Panel (B) and secure each Bracket with one screw (O).

10



A

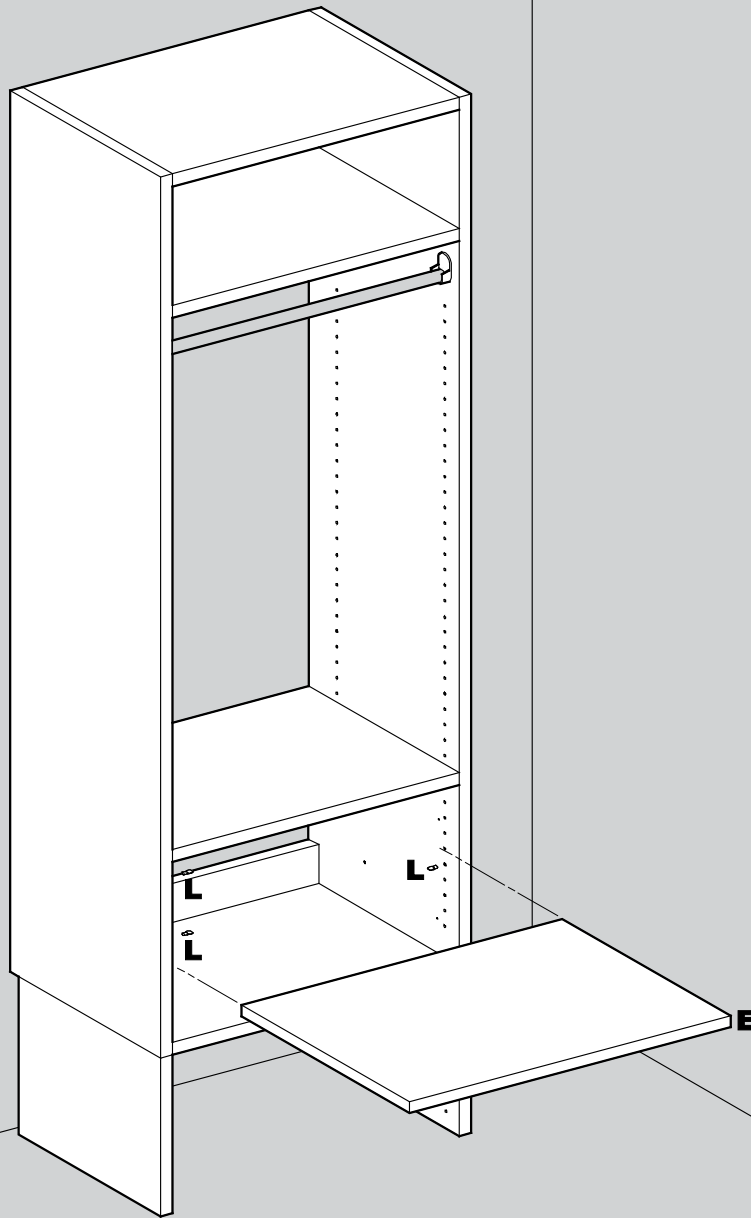


B

NOTE: Use care when installing Hanging Rod (H) to avoid scratching finish inside unit.

10.1 Lower Hanging Rod (H) into Rod Brackets (I) on Left Side Panel (A) and Right Side Panel (B).

11



11.1 Insert eight Shelf Pins (L) into pin holes inside the Tower at the desired height.

11.2 Rest Adjustable Shelves (E) on Shelf Pins (L).