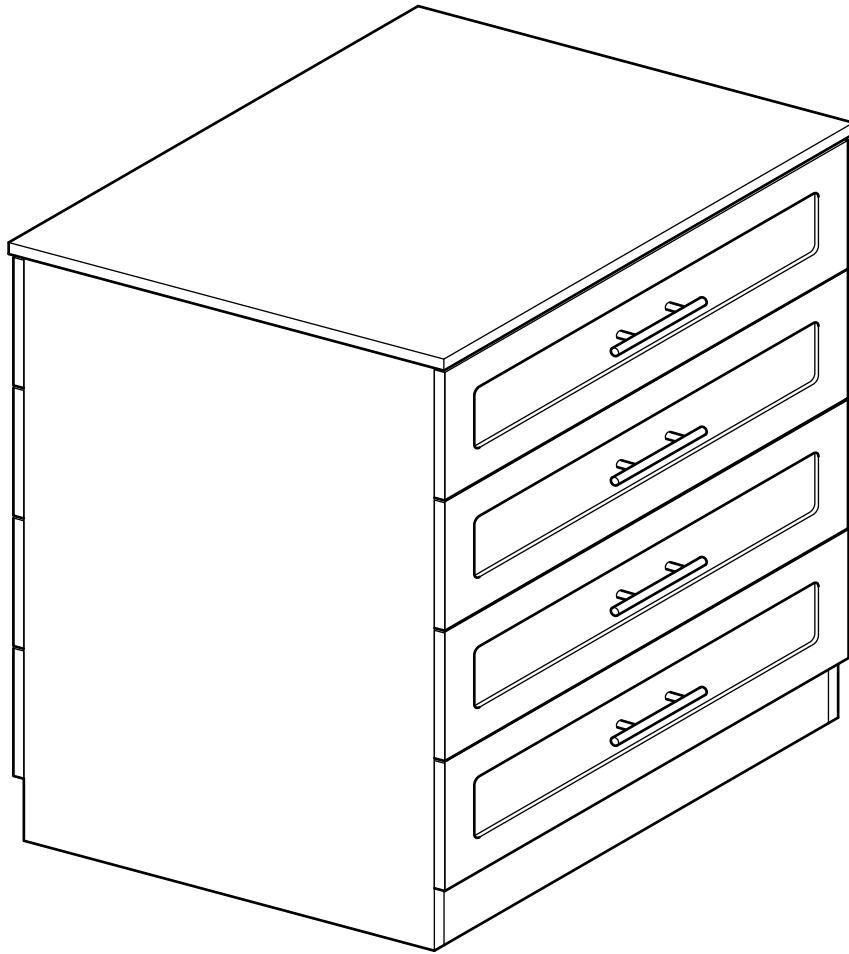
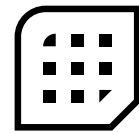


ISLAND



ASSEMBLY AND INSTALLATION INSTRUCTIONS

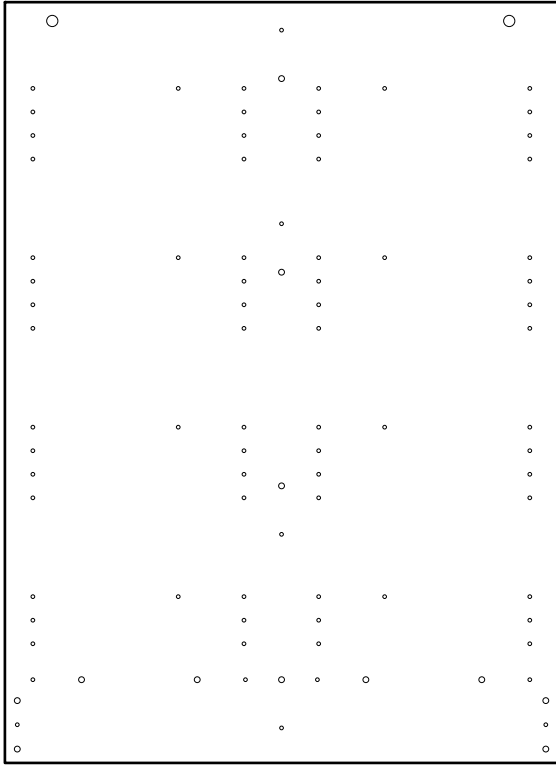
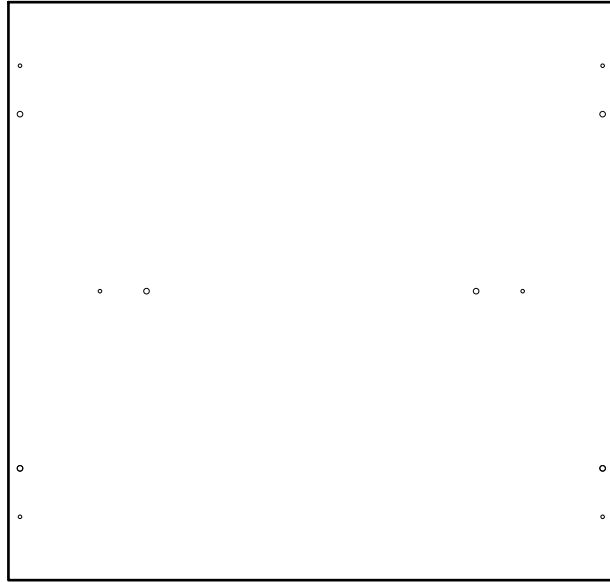
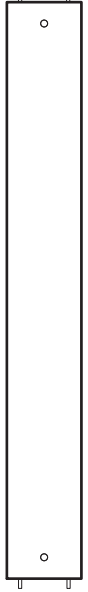
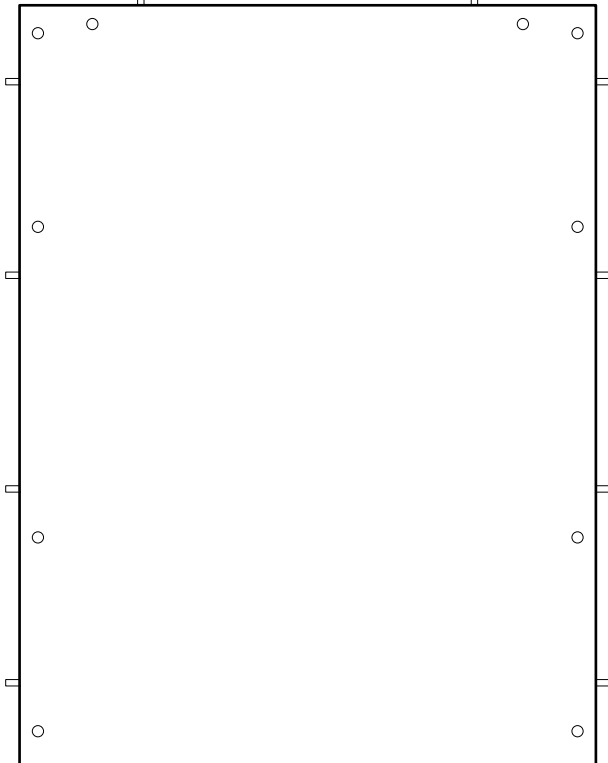
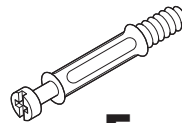
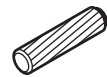
ASSEMBLY AND INSTALLATION INSTRUCTIONS ISLAND



modular
closets.

1A

BOX 1

A**C****E****B****D****F****G****H**

PARTS LIST - BOX 1

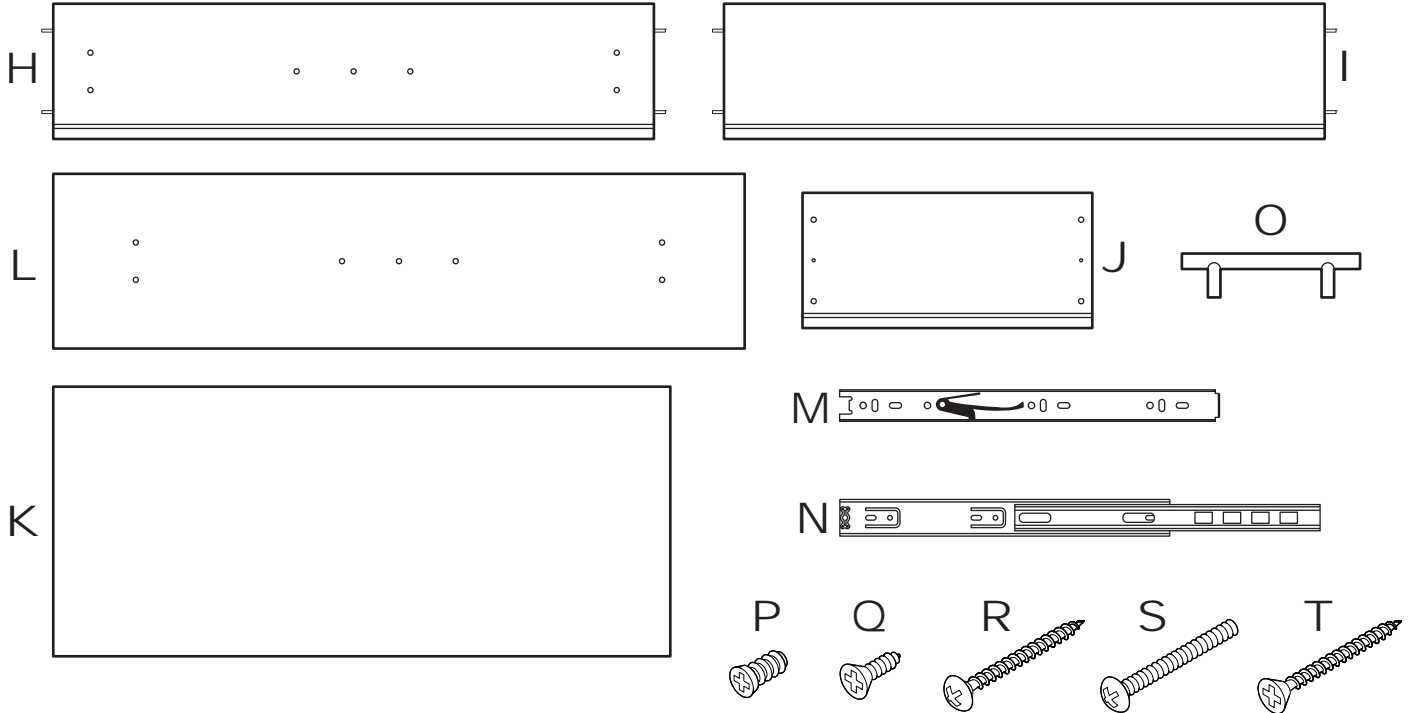
- A** Side Panel (Qty 2)
- B** Vertical Panel (Qty 1)
- C** Top Panel (Qty 1)
- D** Fixed Shelf (Qty 2)
- E** Cleat (Qty 2)
- F** Cam Post (Qty 26)
- G** Camlock (Qty 26)
- H** Wood Dowels (Qty 4)

ASSEMBLY AND INSTALLATION INSTRUCTIONS ISLAND



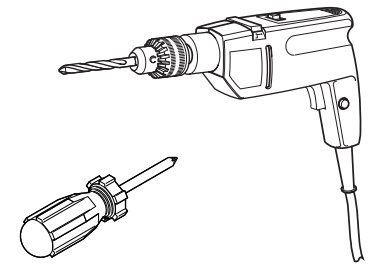
1B

BOX 2 - 5



PARTS LIST (each box)

- | | |
|-------------------------------|-------------------------------------|
| H Drawer Panel, Front (Qty 2) | O Drawer Pull (2) |
| I Drawer Panel, Rear (Qty 2) | P Screw, Shelf Slide, 5/8" (Qty 8) |
| J Drawer Panel, Side (Qty 4) | Q Screw, Drawer Slide, 5/8" (Qty 8) |
| K Drawer Bottom (Qty 2) | R Screw, Drawer Front, 1.0" (Qty 8) |
| L Drawer Front (Qty 2) | S Screw, Drawer Pull, 1.5" (Qty 4) |
| M Drawer Slide (Qty 4) | T Screw, Drawer Side, 1.0" (Qty 8) |
| N Shelf Slide (Qty 4) | |



TOOLS REQUIRED (not included)

Drill, 5/32" bit size
Phillips Screwdriver

1C

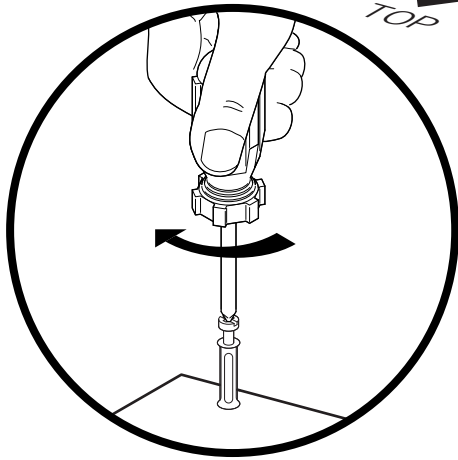
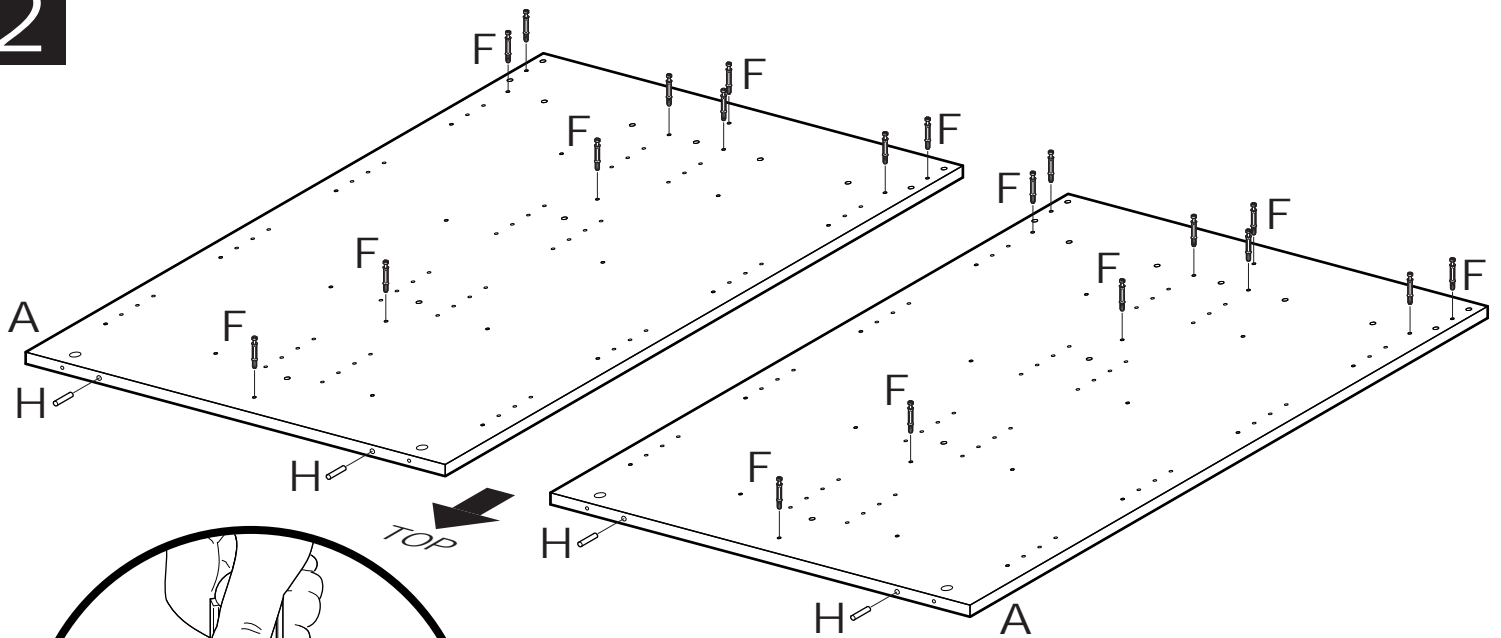
NOTE: Each set of Drawer Slides (M) and Shelf Slides (N) are shipped assembled. To separate, lift the plastic catch on the Drawer Slide (M) and pull the Slide out of the Shelf Slide (N).

- 1.1 Lay parts out on a protective surface to prevent damage. **Tip:** Spread out the cardboard packaging to use as a protective surface.
- 1.2 Inventory parts against the Parts List. Make sure all parts are present before proceeding.

ASSEMBLY AND INSTALLATION INSTRUCTIONS ISLAND

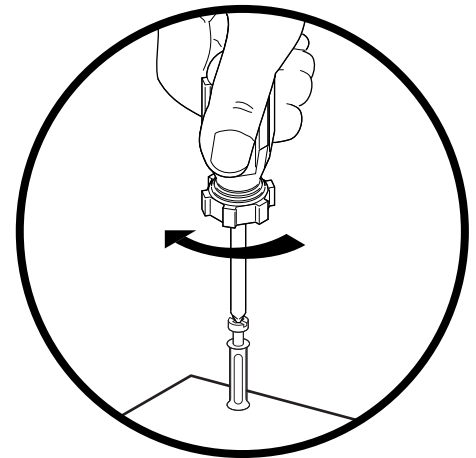
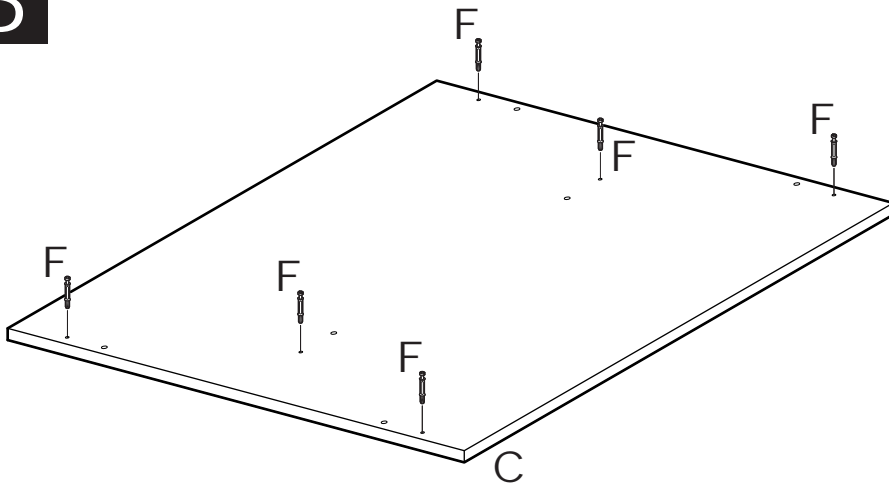


2



- 2.1 Install one Cam Post (F) into each of the ten holes on two Side Panels (A). Tighten until Cam Posts are seated against Side Panels.
- 2.2 Insert four Wood Dowels (H) into holes in top edges of two Side Panels (A).

3

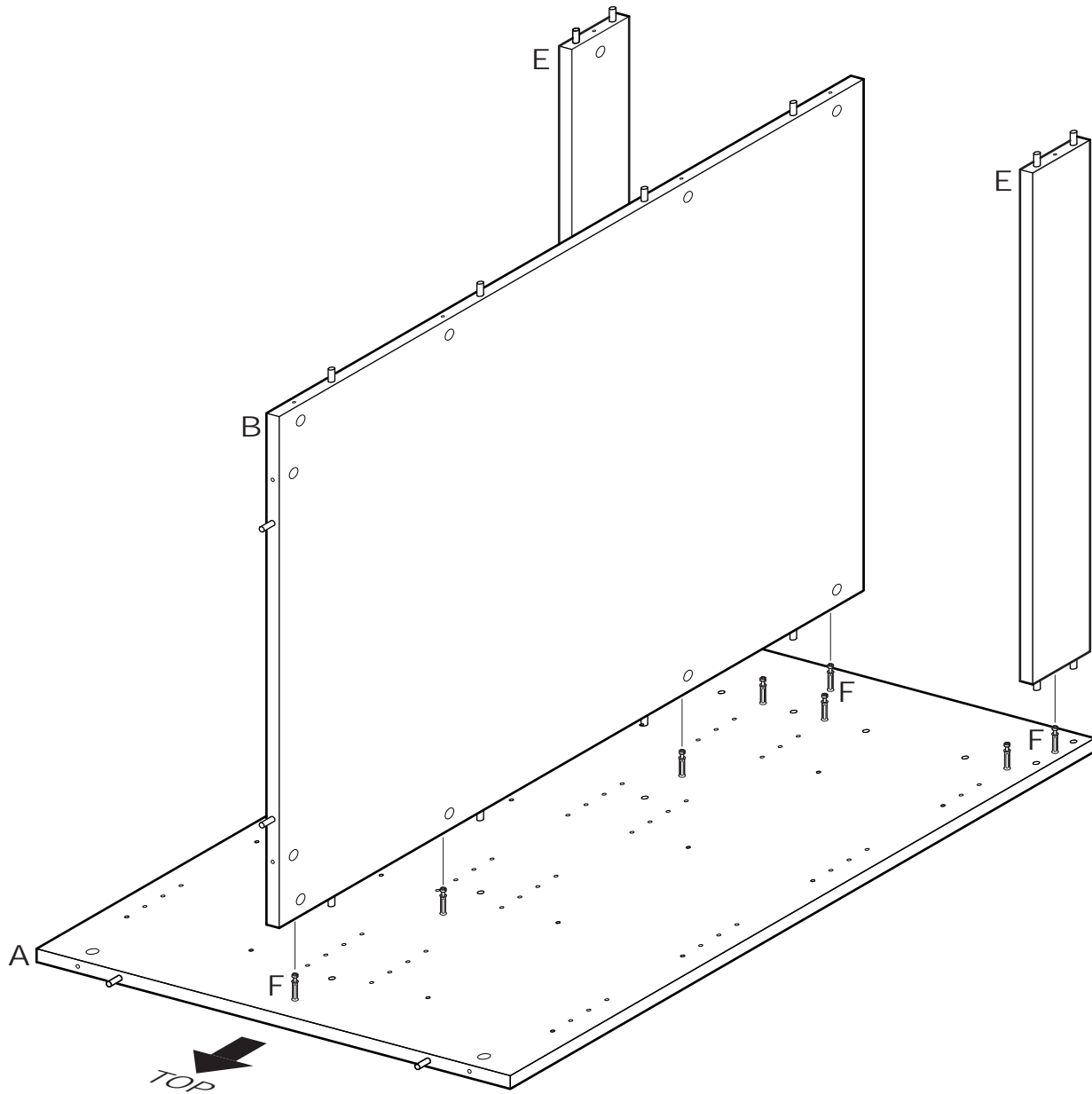


- 3.1 Install one Cam Post (F) into each of the six holes on Top Panel (C). Tighten until Cam Posts are seated against Top Panel.

ASSEMBLY AND INSTALLATION INSTRUCTIONS ISLAND



4



- 4.1 Assemble Vertical Panel (B) and two Cleats (E) onto Side Panel (A) by sliding the Vertical Panel and Cleats onto the Cam Posts (F) on Side Panel (A). BE SURE dowel pins in Vertical Panel and Cleats engage drilled holes in Side Panel, and all parts are pressed flush against Side Panel.

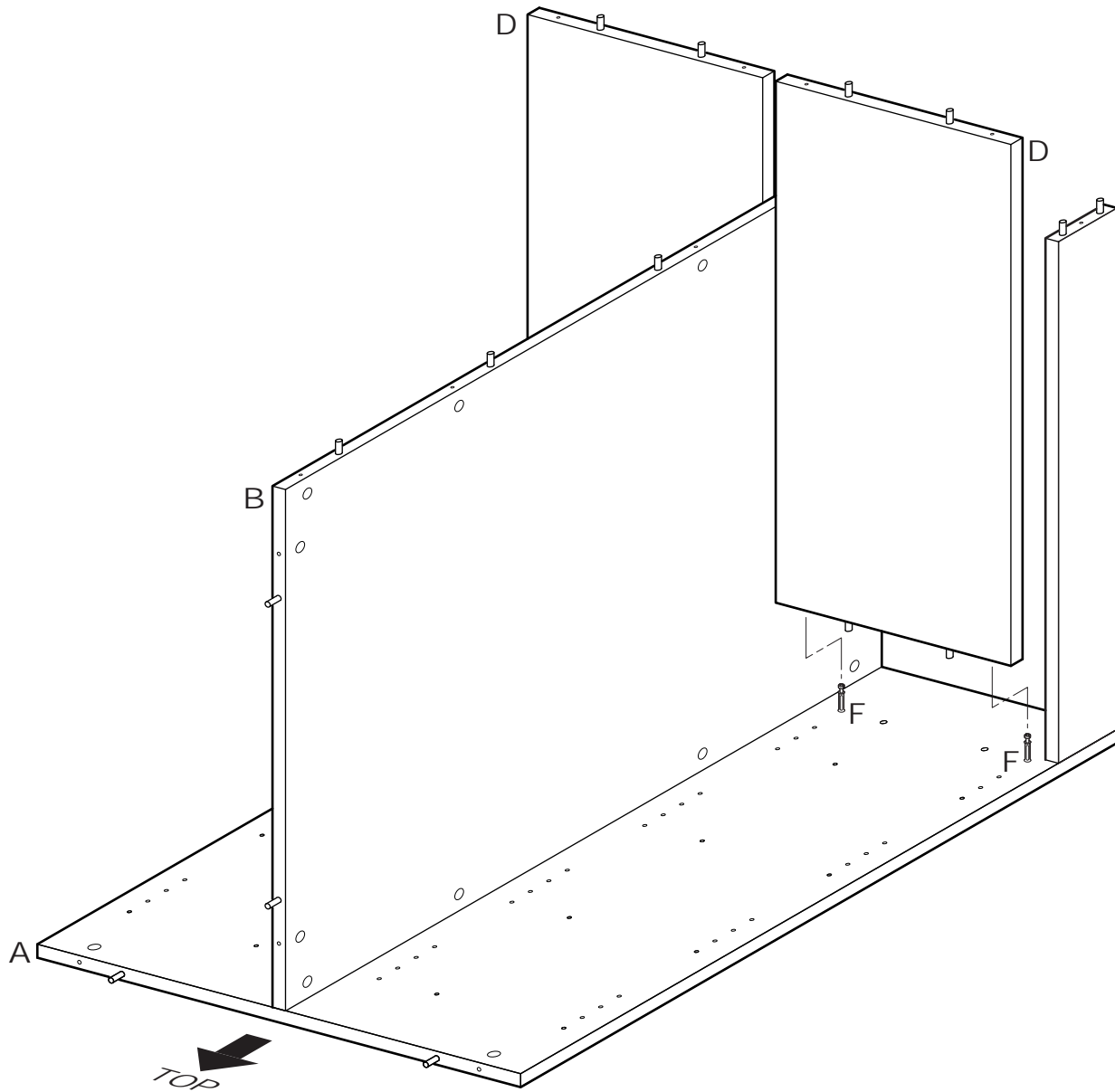
IMPORTANT NOTE

Install Cleats (E) with holes for Cam Locks facing the center of the unit and the unfinished edge facing the top of the unit.

ASSEMBLY AND INSTALLATION INSTRUCTIONS ISLAND



5



- 5.1 Assemble two Fixed Shelves (D) onto Side Panel (A) by sliding the Shelves onto the Cam Posts (F) on Side Panel (A). BE SURE dowel pins in Shelves engage drilled holes in Side Panel, and all parts are pressed flush against Side Panel.

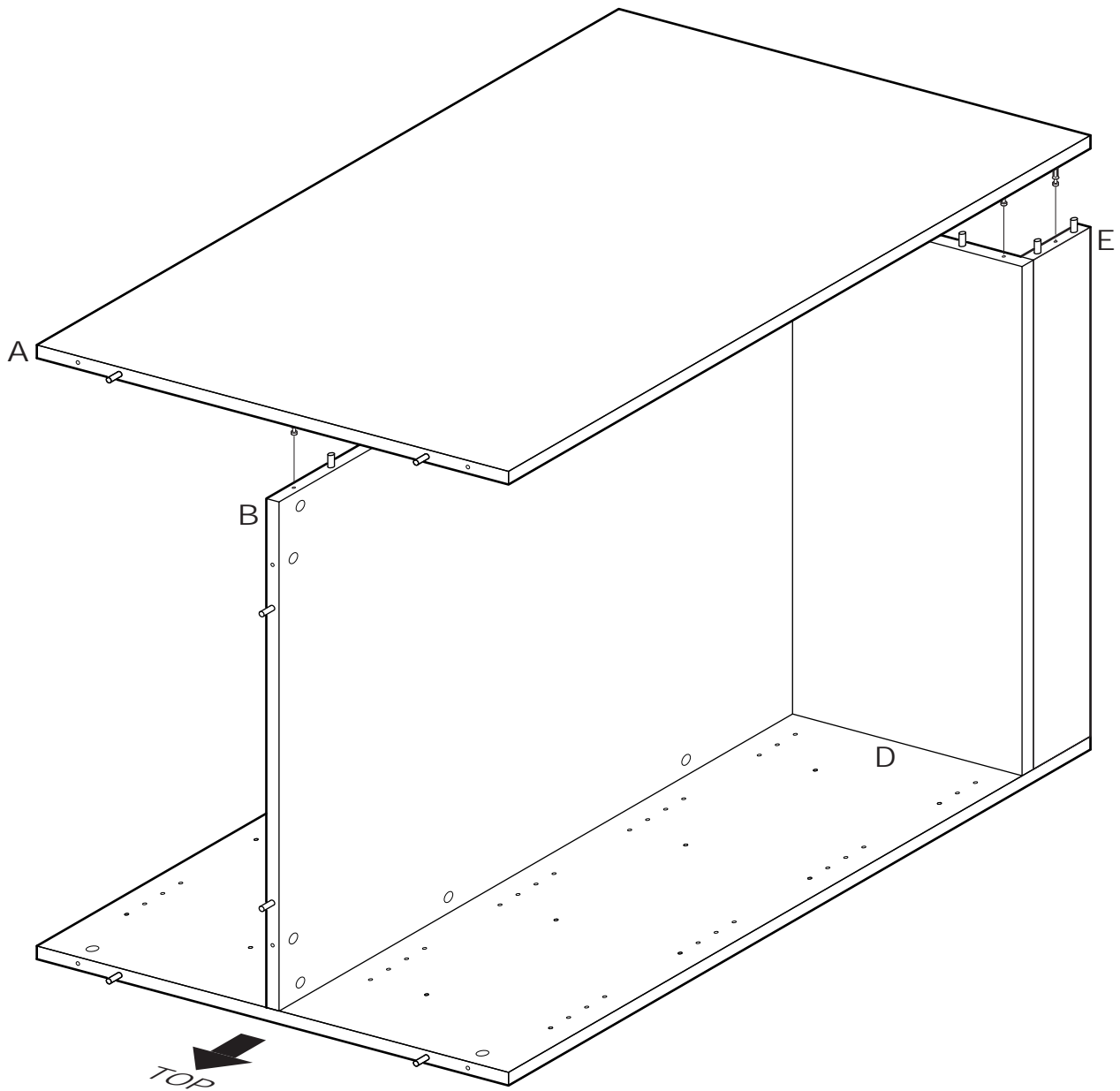
IMPORTANT NOTE

Install Fixed Shelves (D) with holes for Cam Locks facing the bottom of the unit and the unfinished edge facing Vertical Panel (B).

ASSEMBLY AND INSTALLATION INSTRUCTIONS ISLAND



6

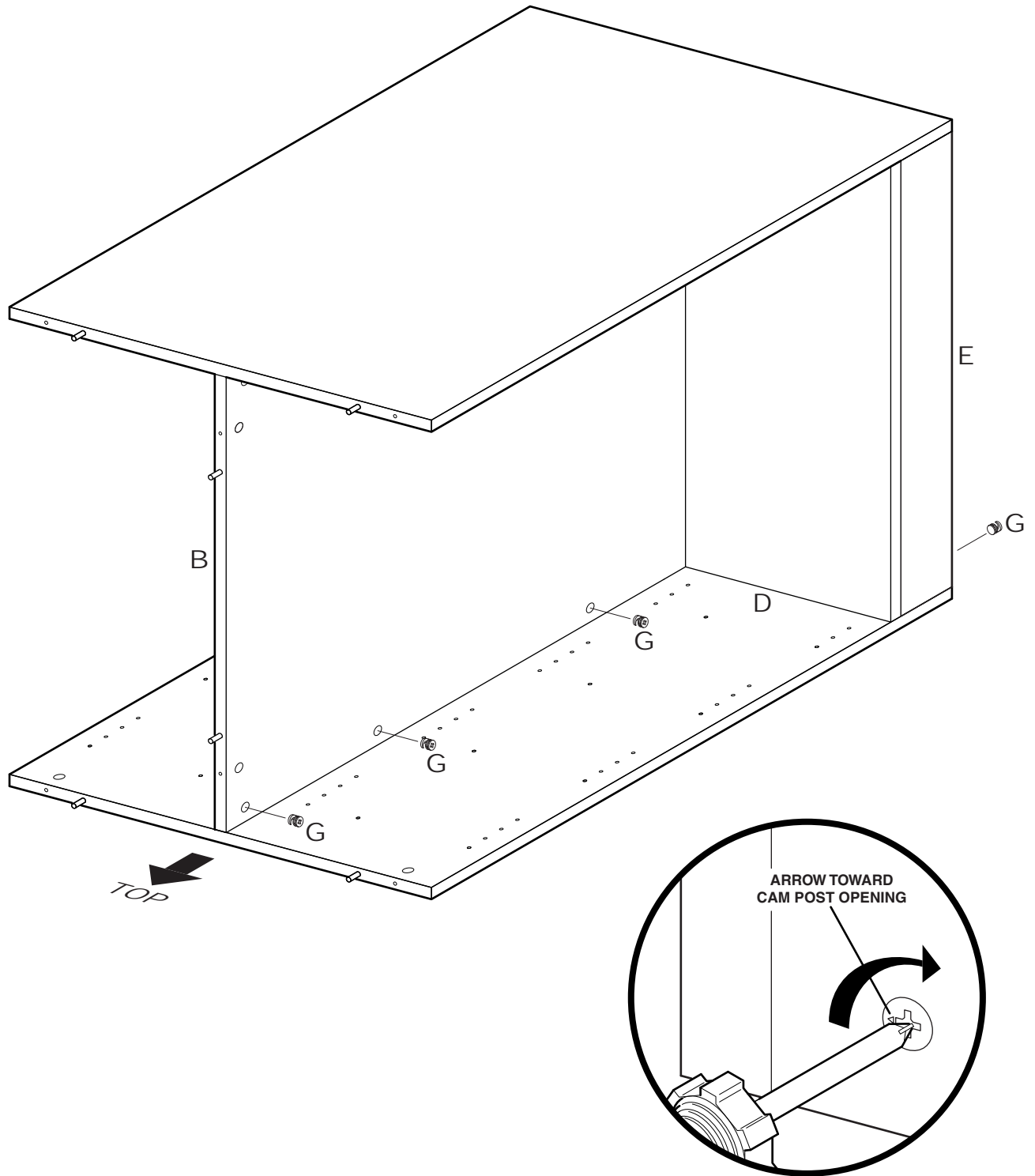


- 6.1 Install second Side Panel (A) onto assembled Vertical Panel (B), Fixed Shelves (D) and Cleats (E). BE SURE dowel pins in Vertical Panel, Shelves and Cleats engage drilled holes in Side Panel, and Side Panel is pressed flush against Panel, Shelves and Cleats.

ASSEMBLY AND INSTALLATION INSTRUCTIONS ISLAND



7

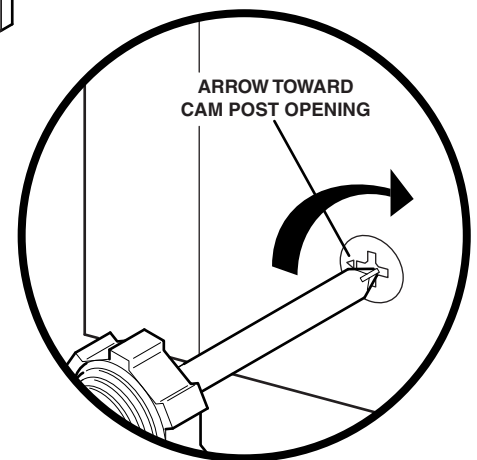
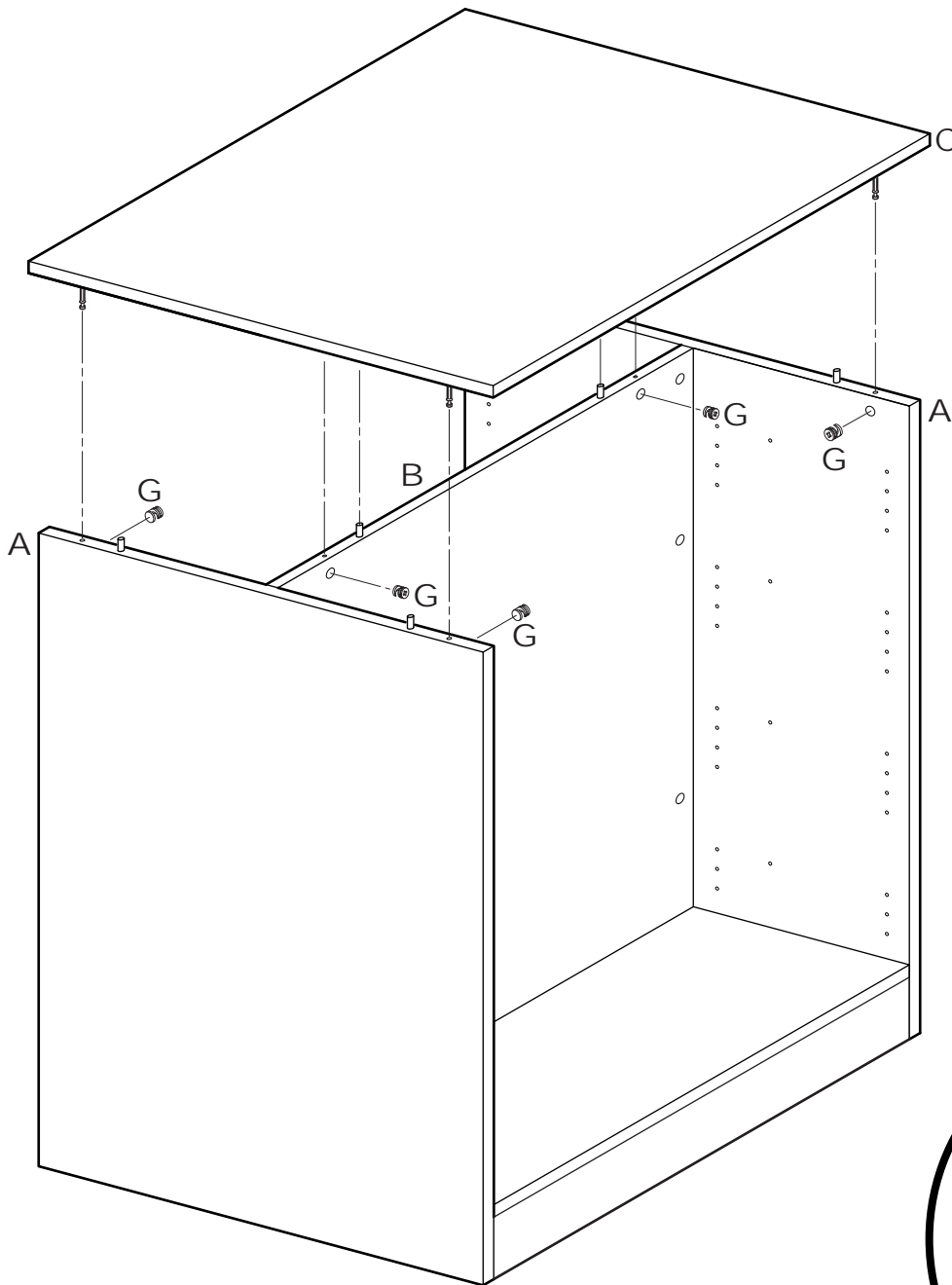


- 7.1 Insert Camlocks (G) in holes in Vertical Panel (B), Fixed Shelves (D) and Cleats (E), with arrow pointing toward Cam Post opening. Be sure Camlocks engage Cam Posts, and are fully seated in Panel, Shelves and Cleats.
- 7.2 Tighten Camlocks (G) clockwise to lock.

ASSEMBLY AND INSTALLATION INSTRUCTIONS ISLAND



8

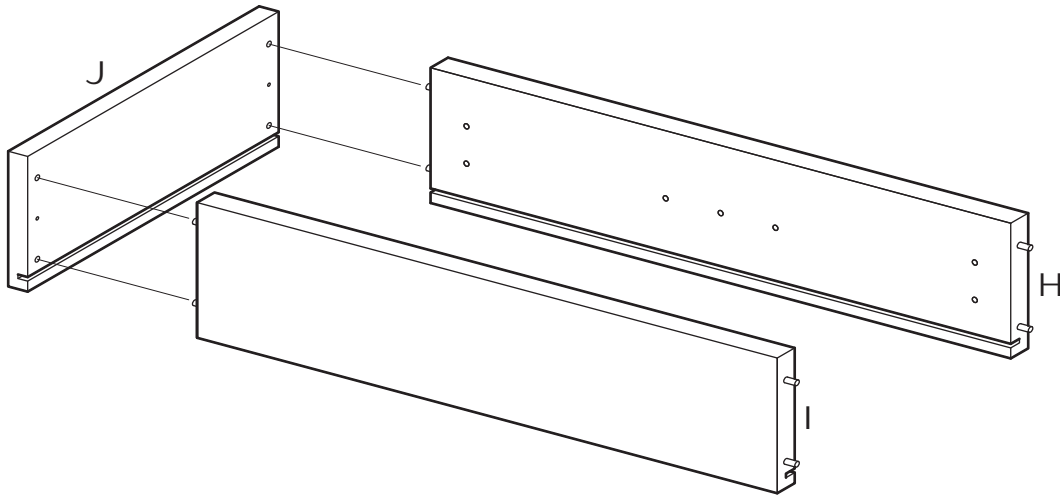


- 8.1 Stand the Island frame upright.
- 8.2 Lower the Top Panel (C) onto the Island frame. BE SURE dowel pins in Side Panels (A) and Vertical Panel (B) engage drilled holes in Top Panel, and Top Panel is pressed flush against Side Panels and Vertical Panel.
- 8.3 Insert Camlocks (G) in holes in Vertical Panel (B) with arrow pointing toward Cam Post opening. Be sure Camlocks engage Cam Posts, and are fully seated in Panel.
- 8.4 Tighten Camlocks (G) clockwise to lock.

ASSEMBLY AND INSTALLATION INSTRUCTIONS ISLAND

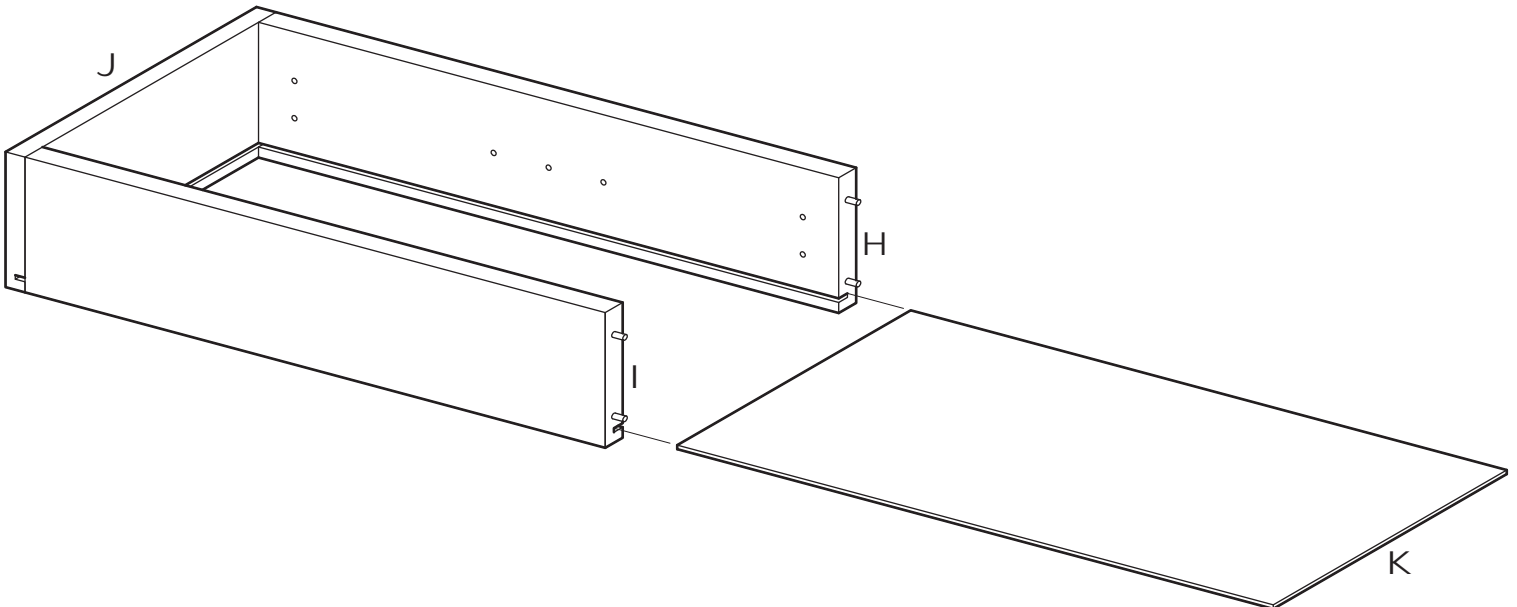


9



- 9.1 Align Wood Dowels (pre-installed) in Front Drawer Panel (H) and Rear Drawer Panel (I) with holes in one Side Drawer Panel (J), and press components together until flush.

10



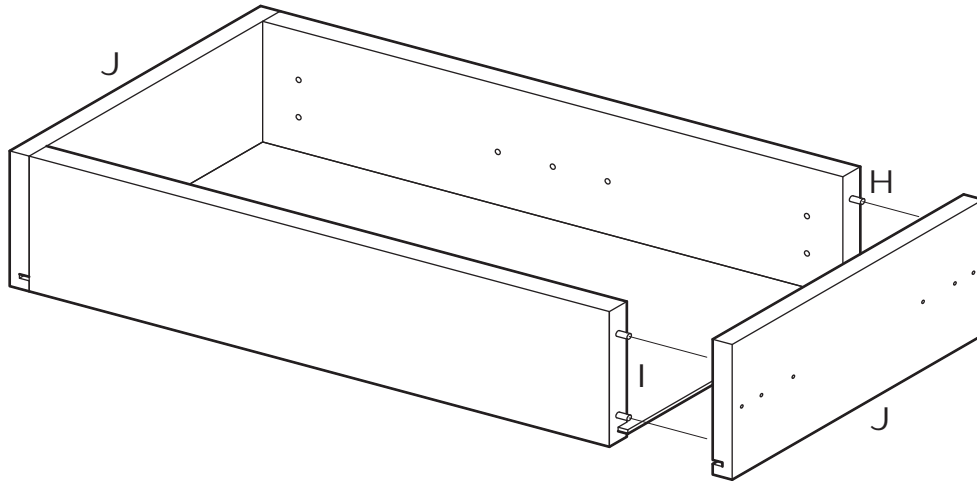
NOTE: Be sure to install Drawer Bottom (K) with finished side facing up.

- 3.1 Align Drawer Bottom (K) with slots in Front Drawer Panel (H) and Rear Drawer Panel (I) then slide Drawer Bottom into assembled Drawer Panels until Drawer Bottom is seated against Side Drawer Panel (J).

ASSEMBLY AND INSTALLATION INSTRUCTIONS ISLAND

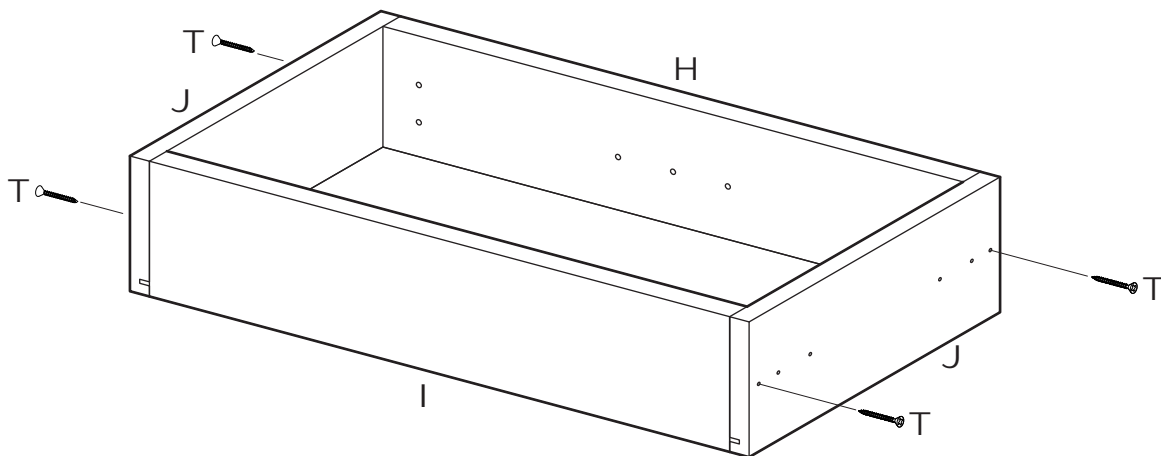


11



11.1 Align Side Drawer Panel (J) with Wood Dowels (pre-installed) in Front Drawer Panel (H) and Rear Drawer Panel (I) and press Side Drawer Panel (J) onto assembled components until flush.

12

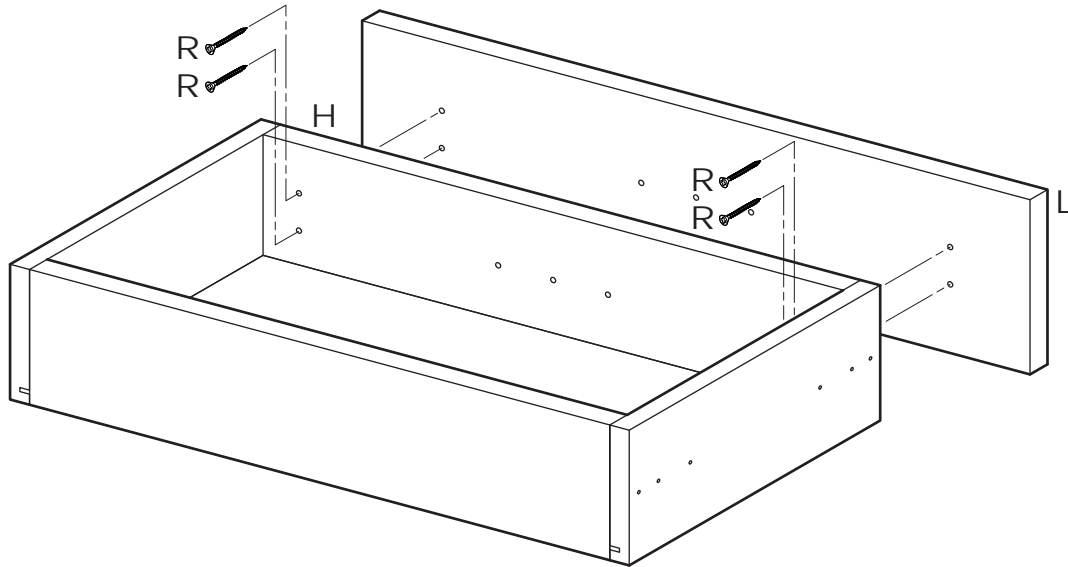


12.1 Secure Side Drawer Panels (J) to Front Drawer Panel (H) and Rear Drawer Panel (I) using four 1.0" Drawer Side Screws (T).

ASSEMBLY AND INSTALLATION INSTRUCTIONS ISLAND



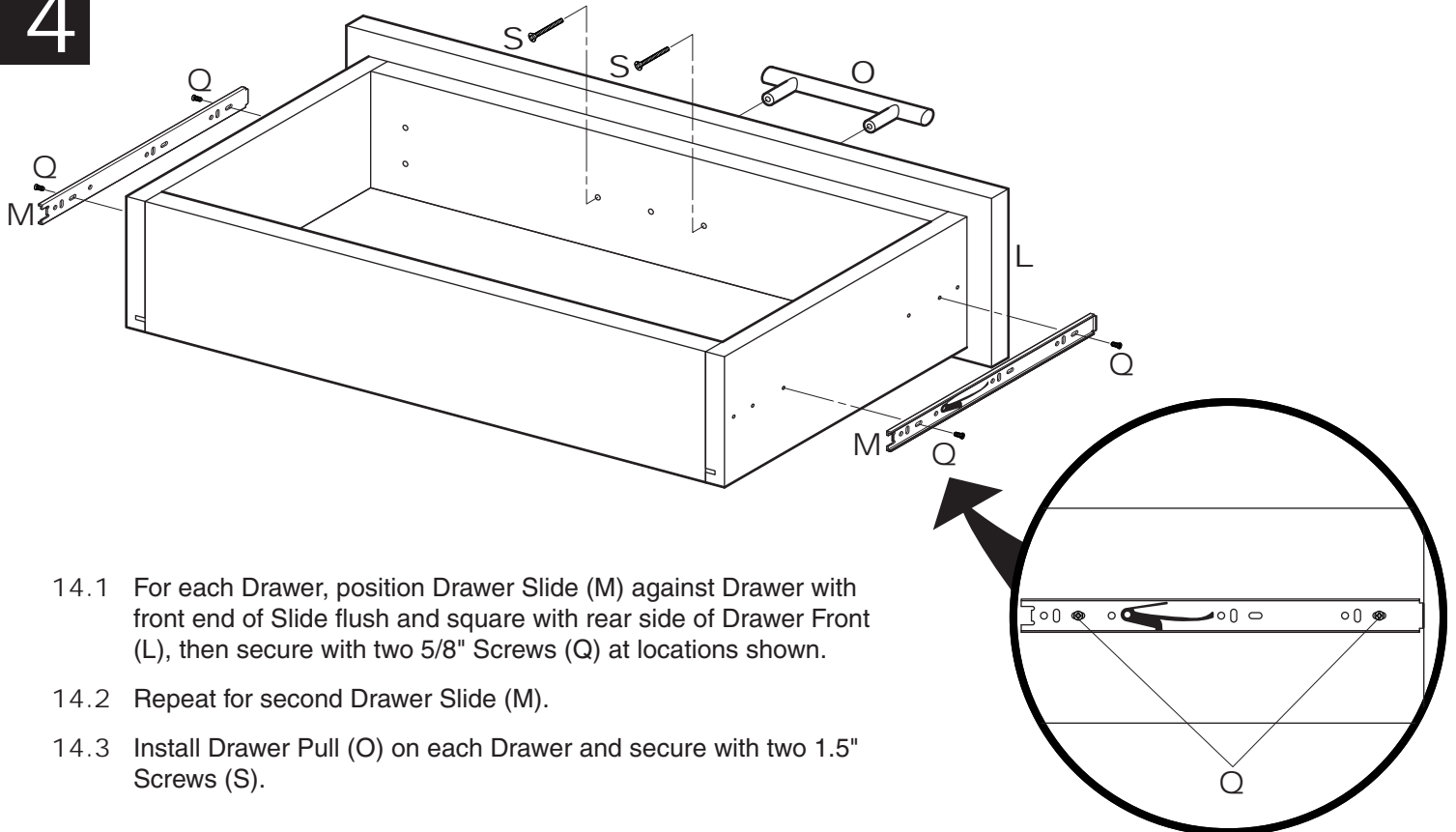
13



NOTE: DO NOT overtighten Screws (R) or surface of Drawer Front (L) may become dimpled.

- 13.1 Position Drawer Front (L) on each assembled Drawer and secure to Front Drawer Panel (H) with four 1.0" Screws (R).

14

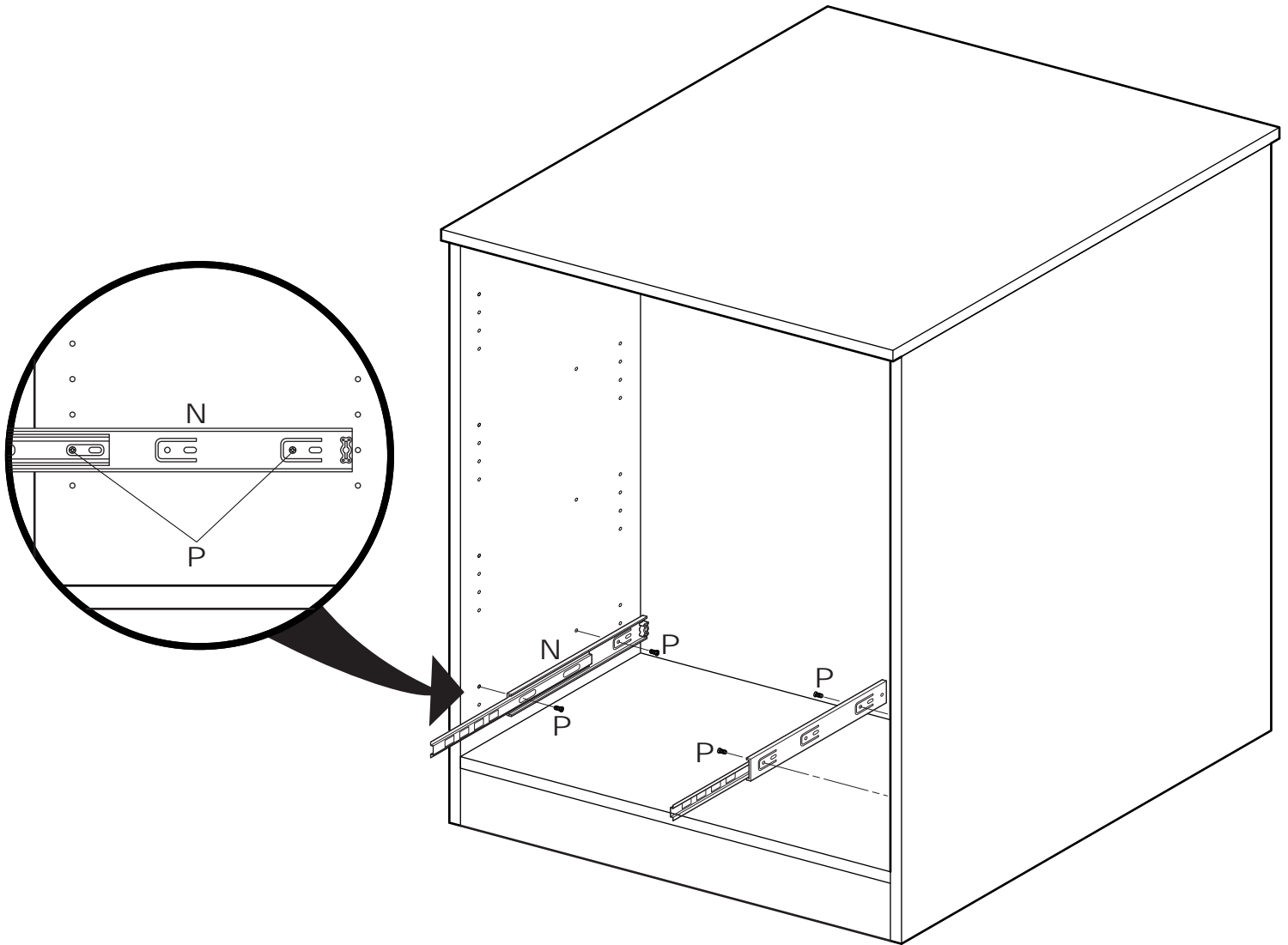


- 14.1 For each Drawer, position Drawer Slide (M) against Drawer with front end of Slide flush and square with rear side of Drawer Front (L), then secure with two 5/8" Screws (Q) at locations shown.
- 14.2 Repeat for second Drawer Slide (M).
- 14.3 Install Drawer Pull (O) on each Drawer and secure with two 1.5" Screws (S).

ASSEMBLY AND INSTALLATION INSTRUCTIONS ISLAND



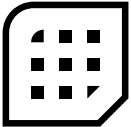
15



- 15.1 For each Drawer, position Shelf Slide (N) over pre-drilled holes in shelf side panel, then secure with two 5/8" Shelf Slide Screws (P) at locations shown.
- 15.2 Repeat for second Shelf Slide (N).

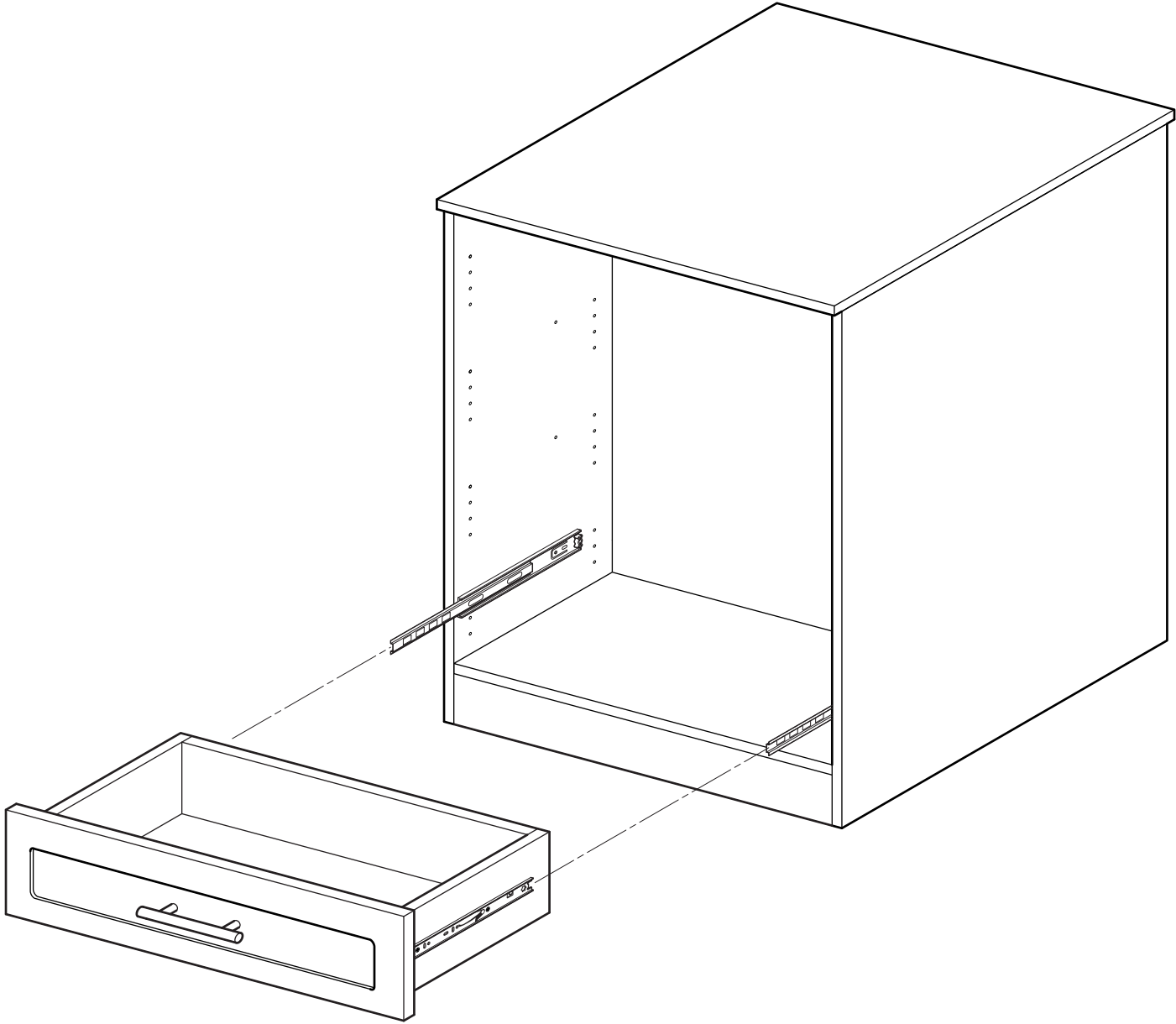
Tip: For best results, use a small level to ensure Shelf Slides (N) are properly positioned before tightening.

ASSEMBLY AND
INSTALLATION INSTRUCTIONS
ISLAND



modular
closets.

16



16.1 Slide each Drawer onto Shelf Slides until slides latch.