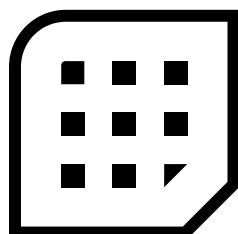
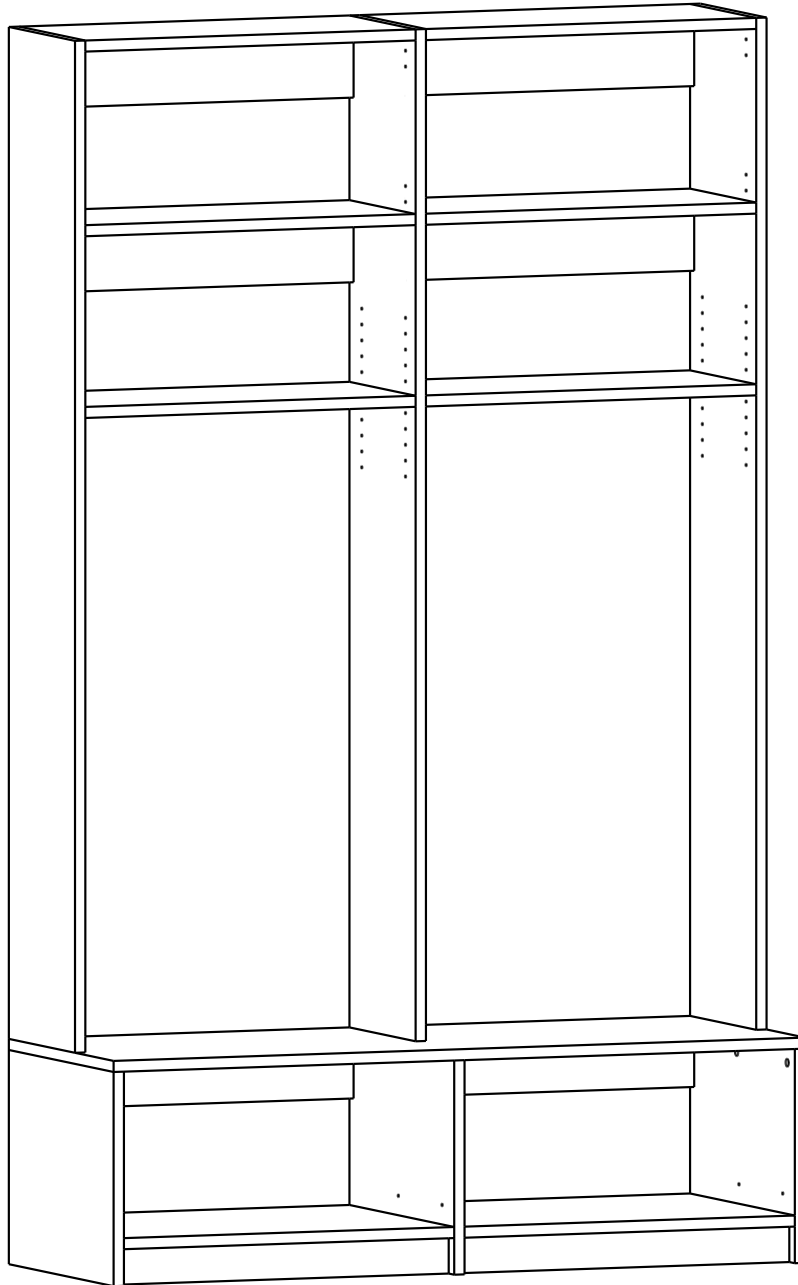


MUDROOM

ASSEMBLY INSTRUCTIONS



**modular
closets.**



Congratulations on your purchase!

For any questions reach out to support@modularclosets.com or call 844-969-4247

Thank you for choosing Modular Closets and our Mudroom system!

We are committed to providing you with a seamless and efficient storage solution that enhances the organization and functionality of your space. Before you embark on assembling your new Mudroom system, we want to emphasize a crucial step to ensure a smooth and successful installation.

Important: Understanding Your Components

Before you begin the assembly process, it is essential to familiarize yourself with the components provided in your package. Our Mudroom system includes various boxes containing different parts designated for specific towers. Properly identifying and organizing these components will prevent confusion and streamline the installation.

What You Need to Do

- 1. Inventory Check:** Begin by unpacking all the boxes and verifying the contents against the parts list provided. Ensure that you have all the necessary components and hardware.
- 2. Label and Sort:** Carefully read the labels on each box and sort the components according to the designated towers. This step is critical as it will help you avoid mixing parts that belong to different sections of the closet system.
- 3. Check Sizes:** Verify the sizes of the components against the measurements specified in your design PDF. Ensuring that each part matches the intended dimensions is crucial for a proper fit and installation.
- 4. Reference Your Design PDF:** Use the design PDF provided with your order to map out the correct placement of each component. This document will guide you in matching the parts to their specific locations within the closet system.
- 5. Read the Instructions:** Thoroughly read through the entire instruction manual before starting the assembly. Understanding the overall process and the sequence of steps will save you time and effort.

By taking the time to carefully organize, understand your components, and reference your design PDF, you set the stage for a successful and stress-free installation. We are confident that with a little preparation, you will find the assembly process straightforward and rewarding.

Thank you for your attention to these important details.

Now, let's get started on transforming your space with your new Mudroom closet system from Modular Closets!



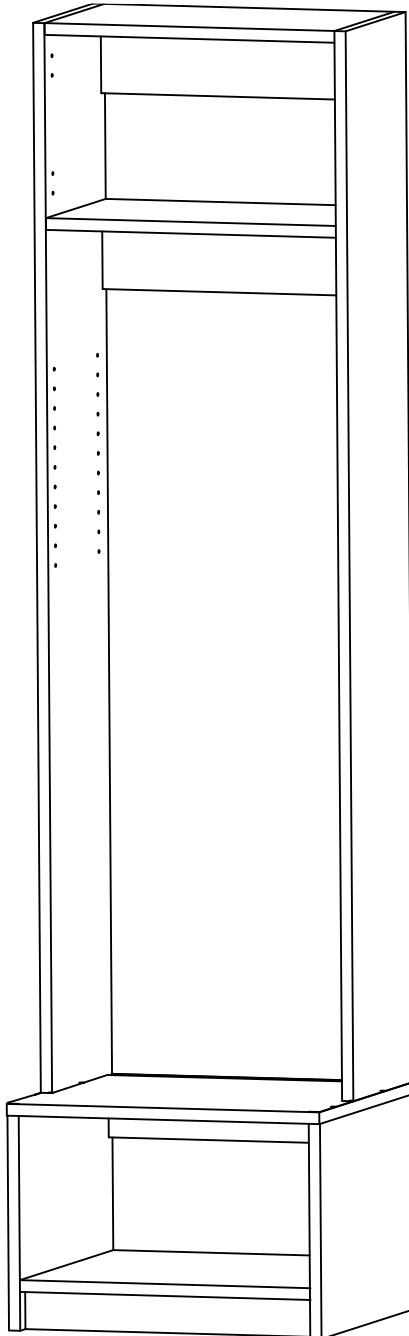
Table of Contents

Single Mudroom	4
Double Mudroom	27
Single Bench	57
Double Bench	70

Sub-Assemblies

Drawer Boxes	87
Doors	102

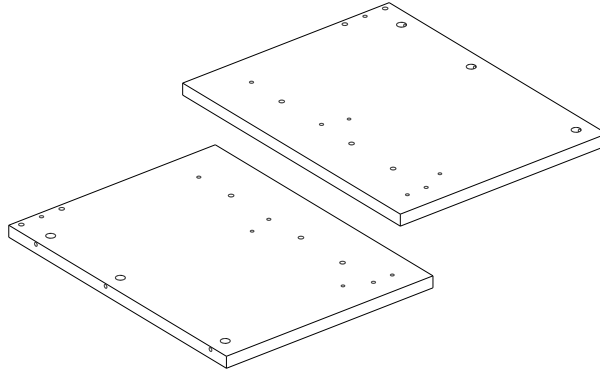
Single Mudroom



Boxes Needed

MDR-BSP

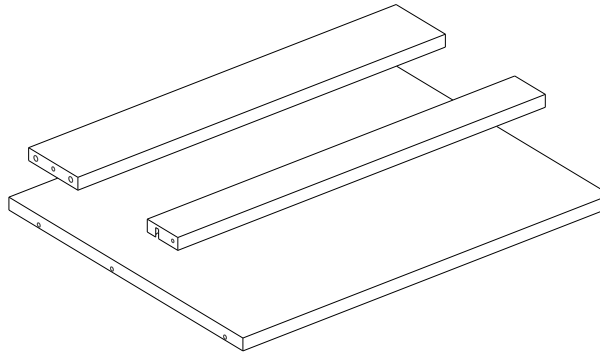
Mudroom bench side
panel pack



MDR-BFS

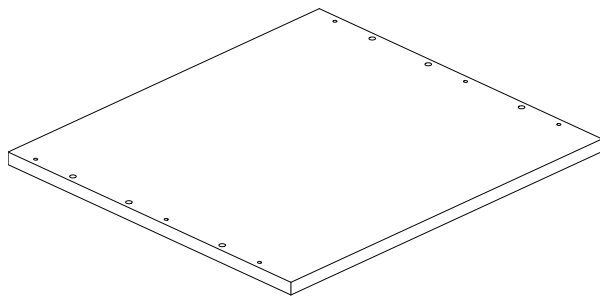
Mudroom Bench Shelf
Pack

Single pack



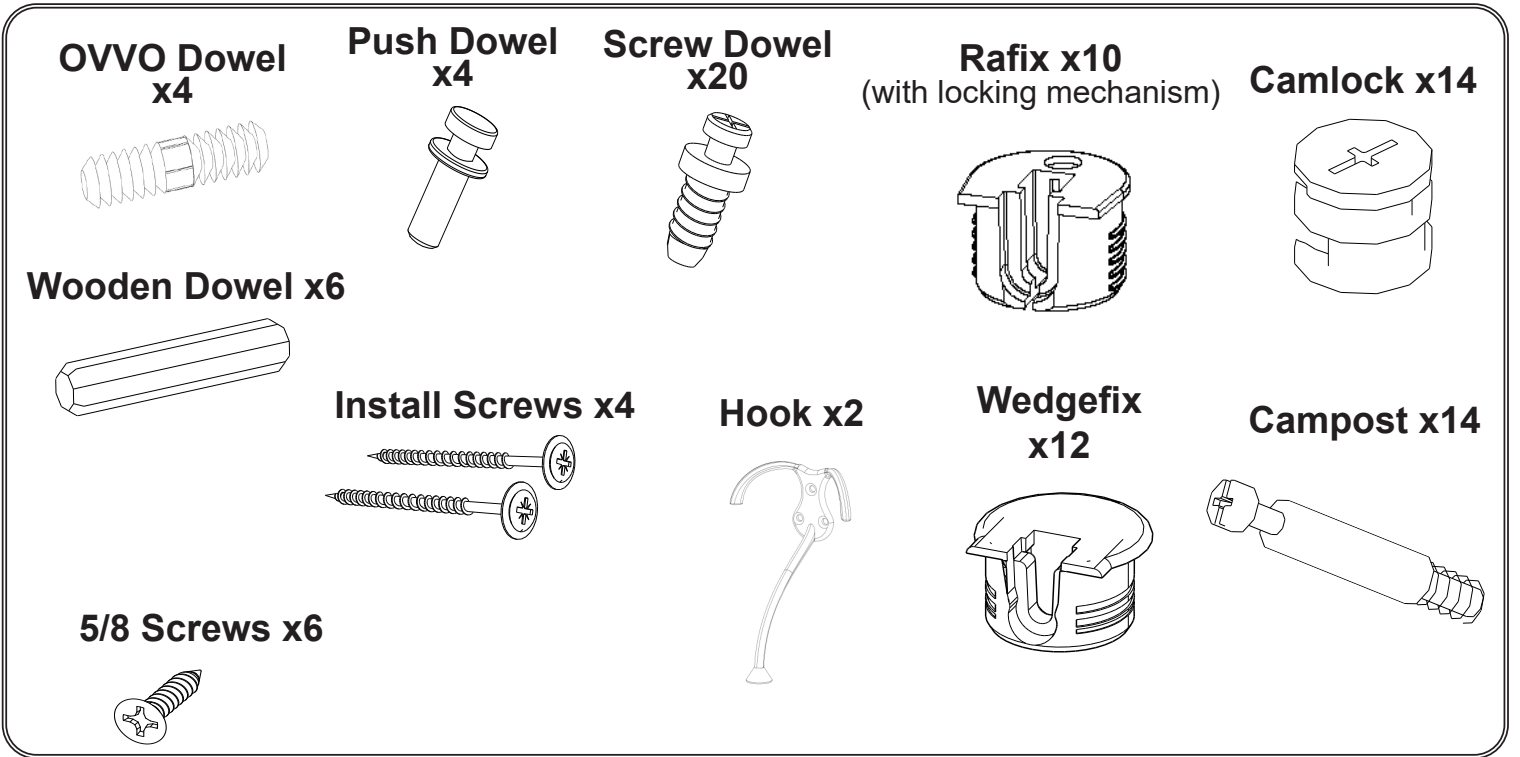
MDR-MBT (BTP)

Mudroom Top

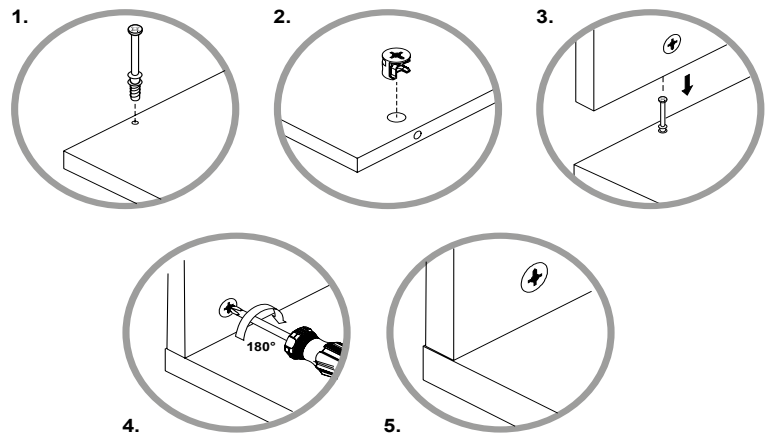




Hardware Packs Needed
HRDP-MDR1



How to use the
Cam lock system:

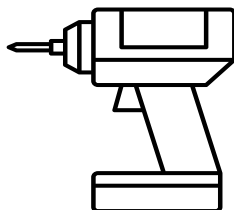


Tools needed

Rubber mallet



Drill



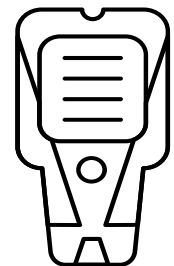
Level



Philips
screw
driver



Stud finder



2 person assembly suggested

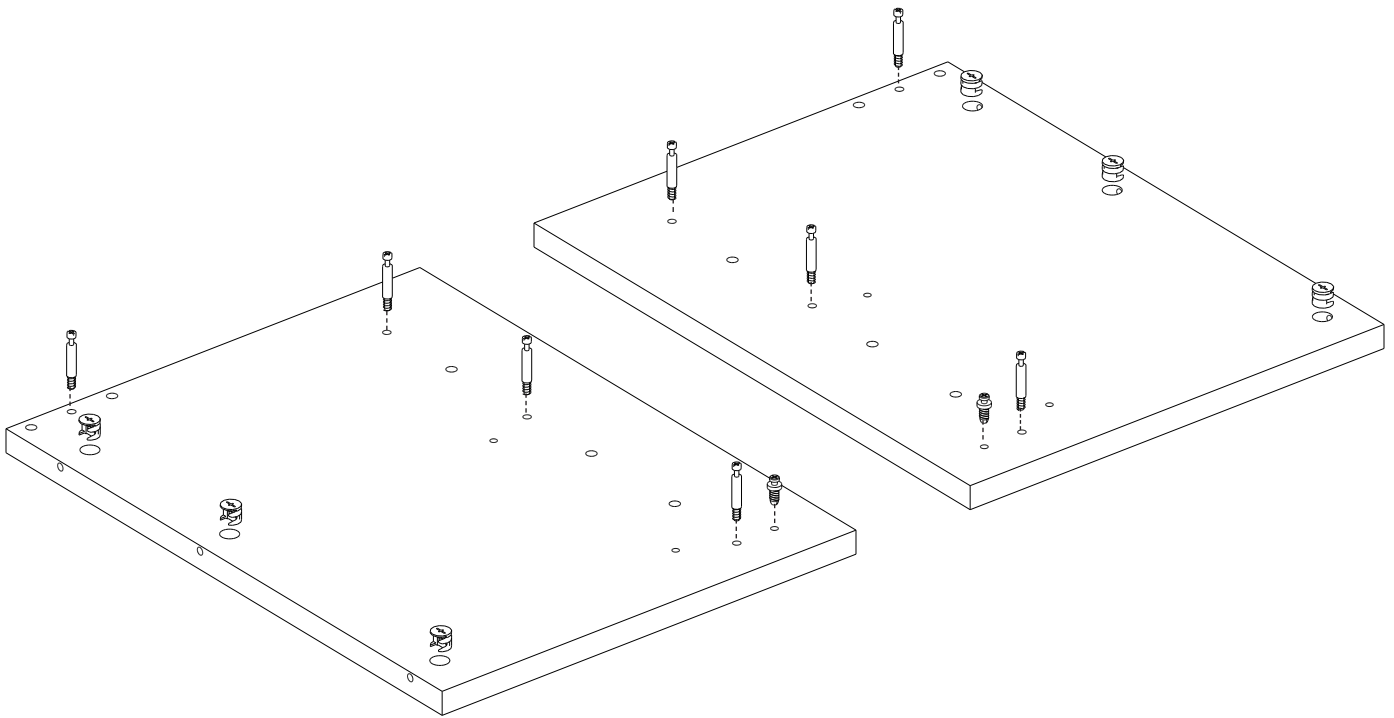
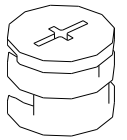
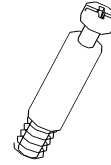
Step 1

From Box MDR-BSP take the bench side panels and insert the hardware as shown.

Screw Dowel

Campost

Camlock

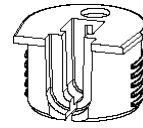




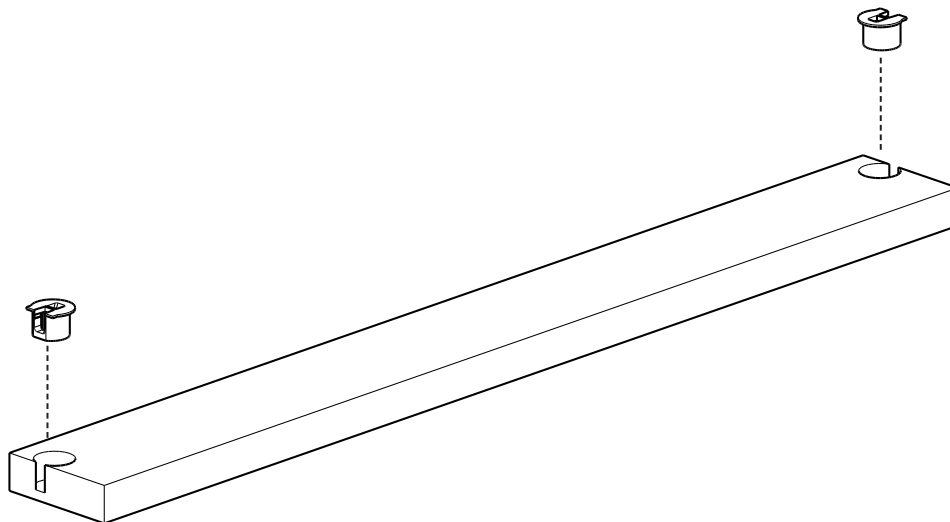
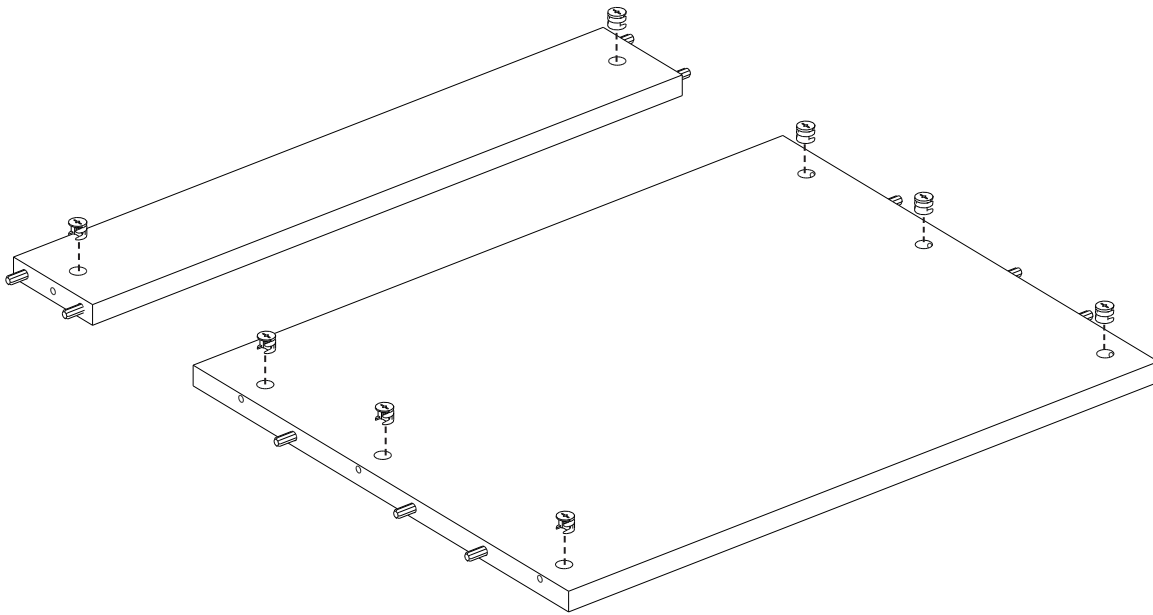
Step 2

From the box MDR-BFS, insert camlocks in to the shelves and cleats, and rafixes into the toekicks.

Rafix



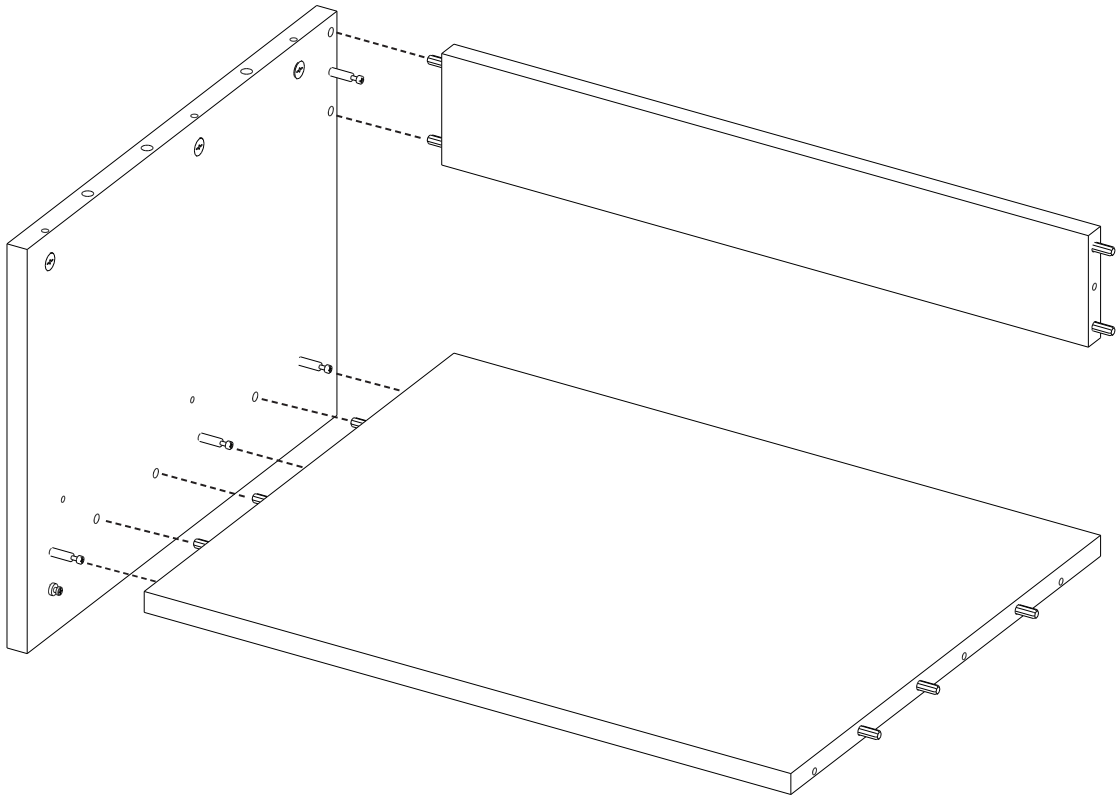
Camlock



Repeat Steps 2-3 for all the Mudroom Bench Shelf packs

Step 3

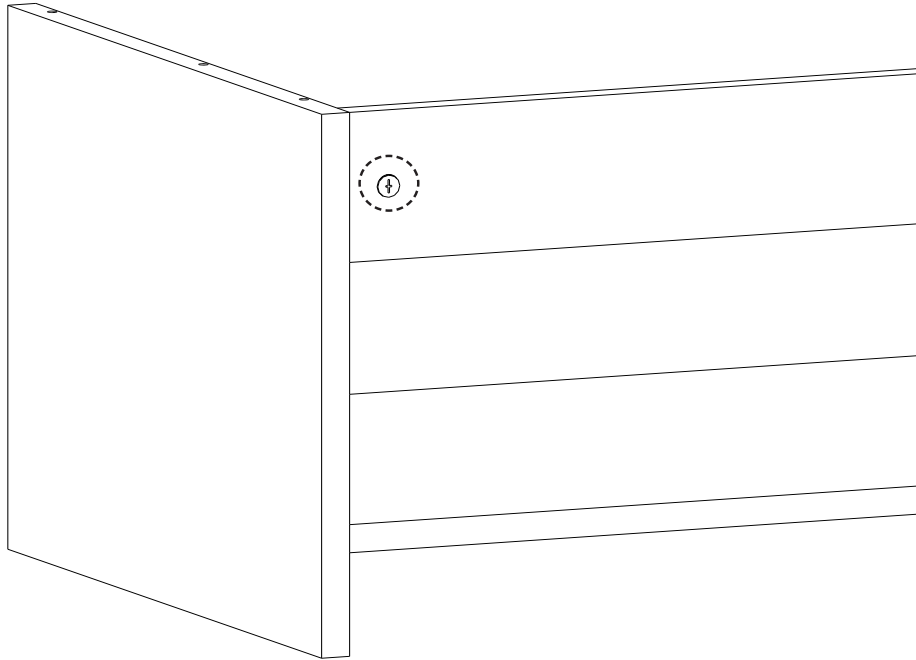
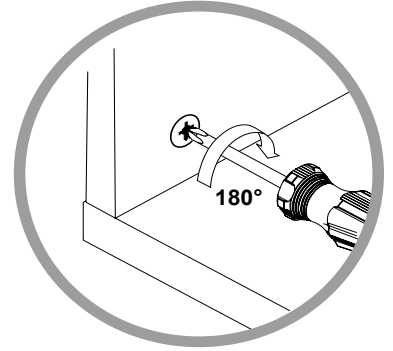
Connect the cleats and shelves to the left side panel.





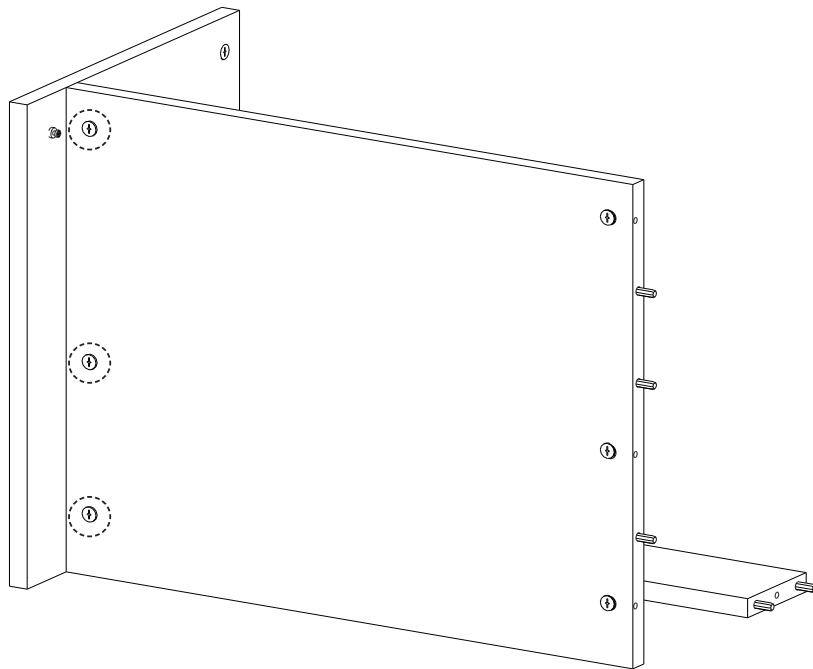
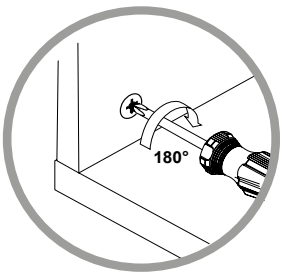
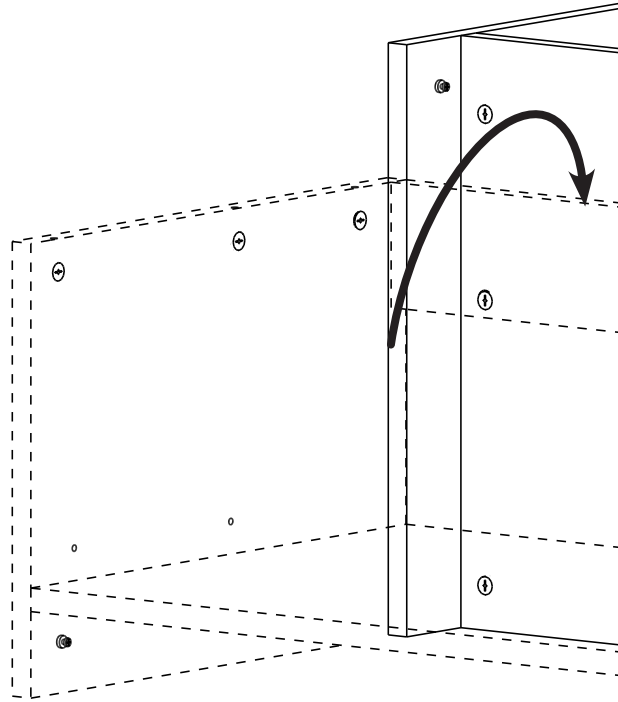
Step 4

Tighten the camlock from the back of the unit.



Step 5

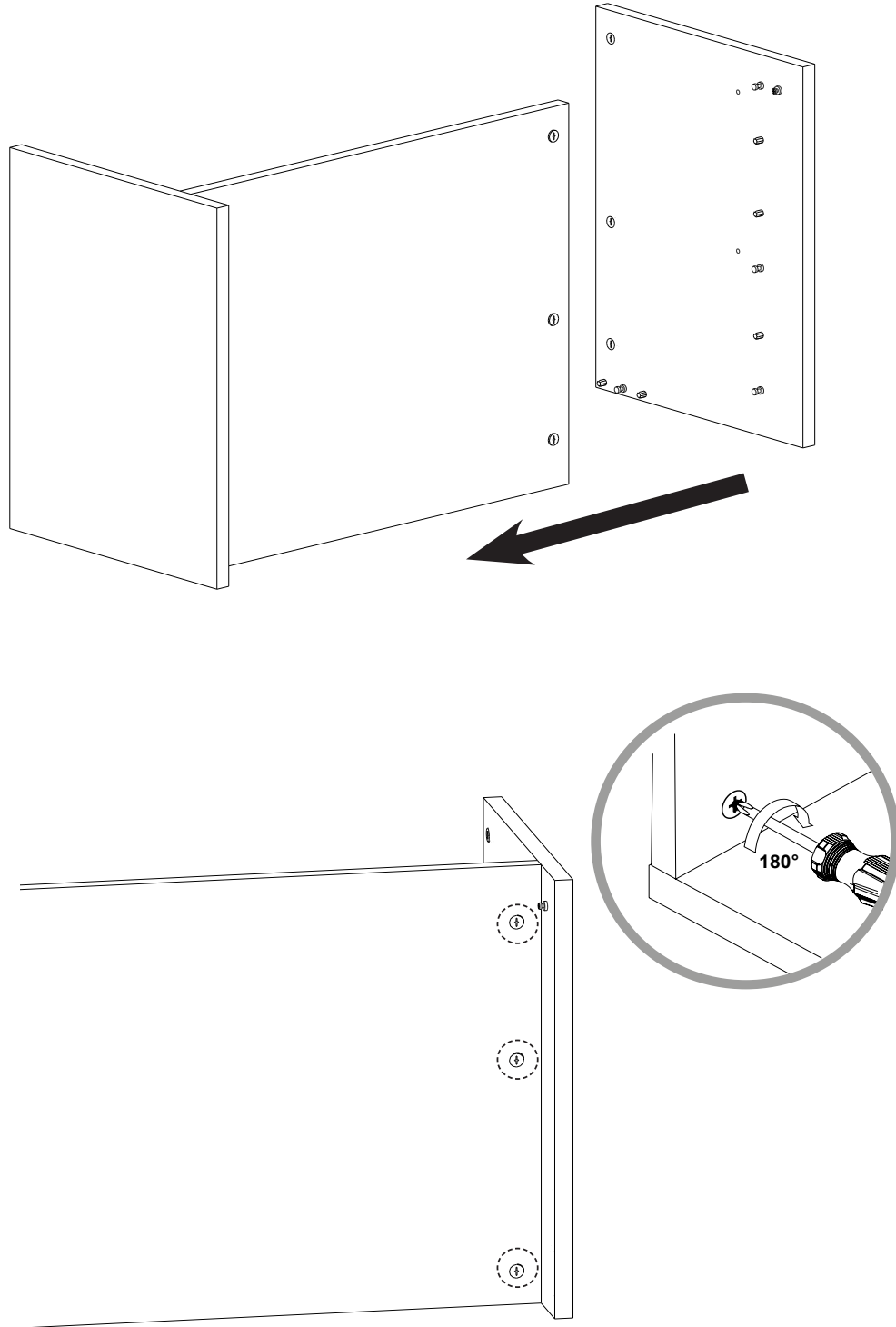
Carefully, flip the unit to the side and tighten the camlocks on the underside. (We recommend you line your floor to prevent scratches.)





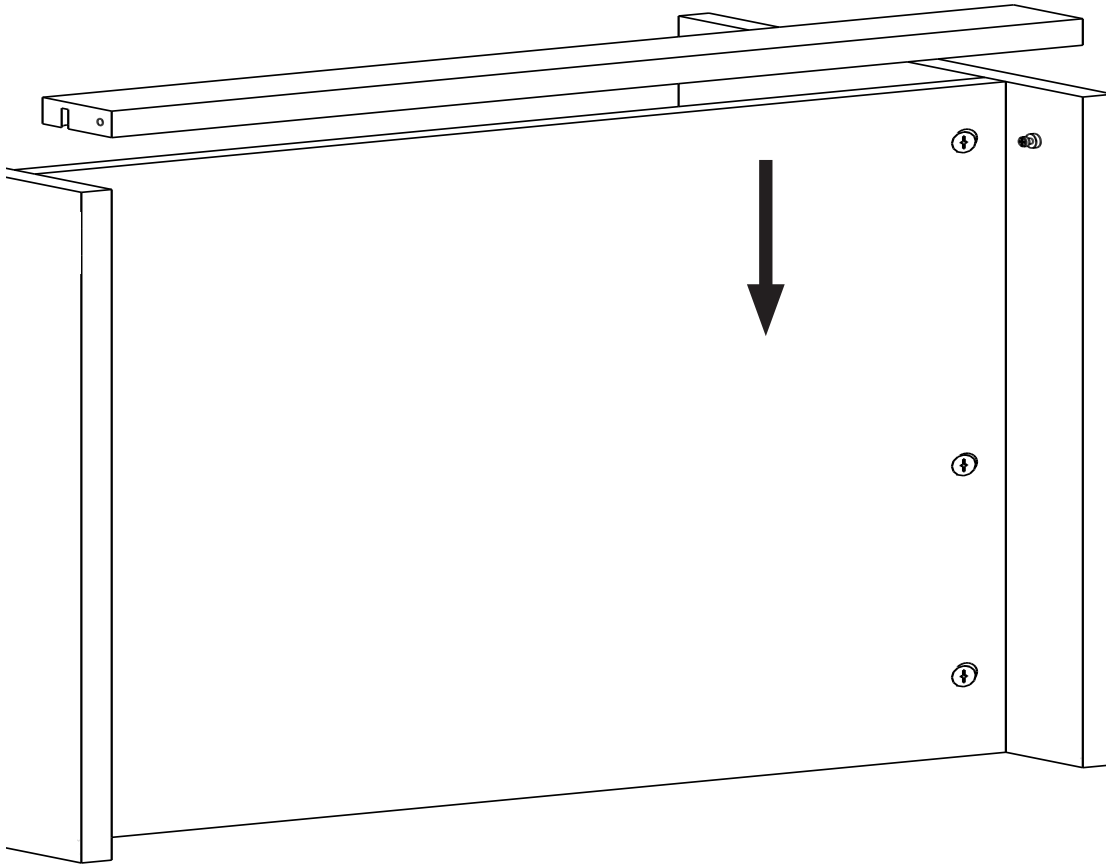
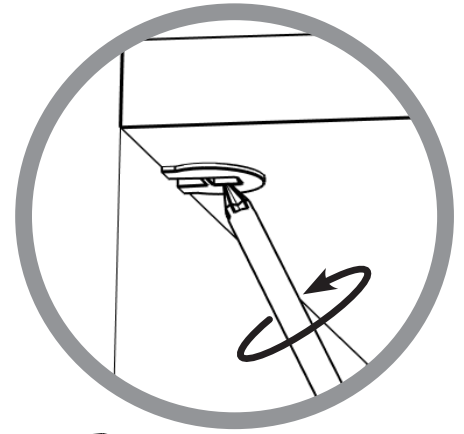
Step 6

Connect the right side panel and tighten the camlocks.



Step 7

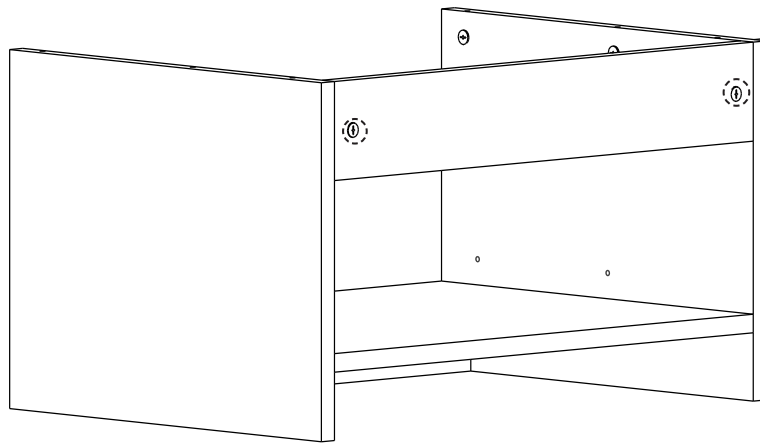
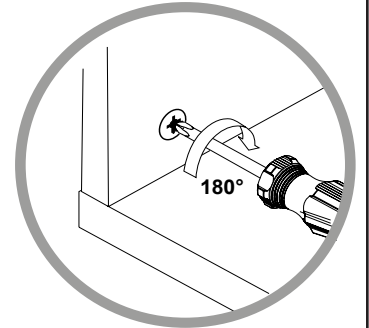
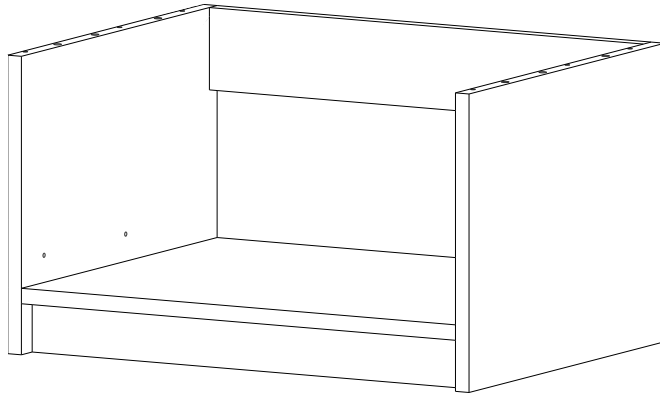
Connect the toe kicks to the screw dowels, then tighten the rafixes shown.





Step 12

Very carefully, flip the unit back upright and then tighten the camlocks for the cleats in the back



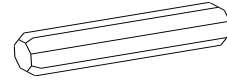
Step 13

Insert the hardware into the bench top

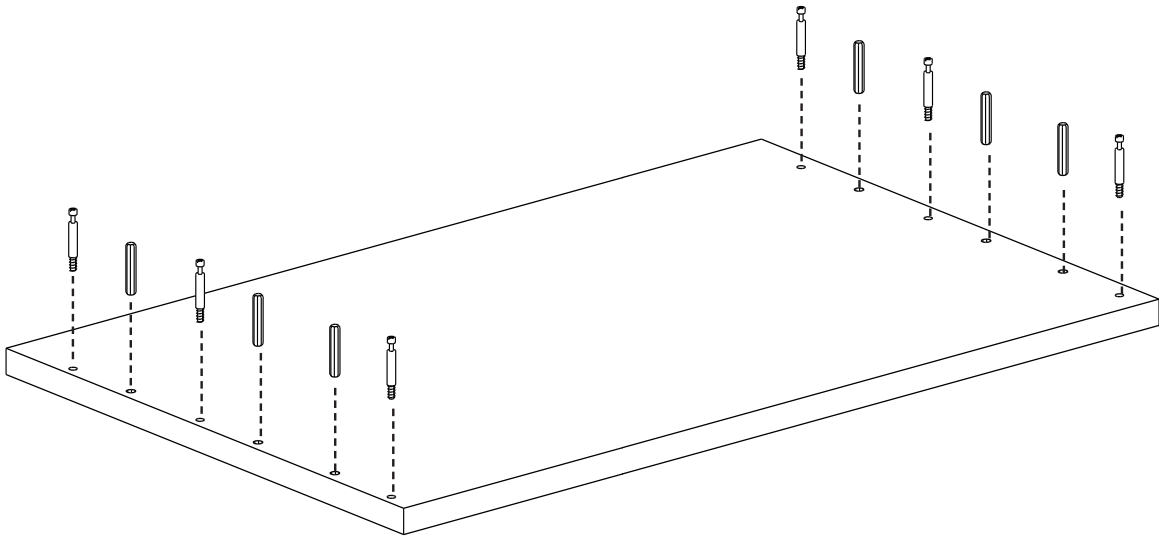


This step requires the 'shorter' wooden dowels previously set aside. Please ensure you are using the correct size variant for this step.

Wooden Dowel



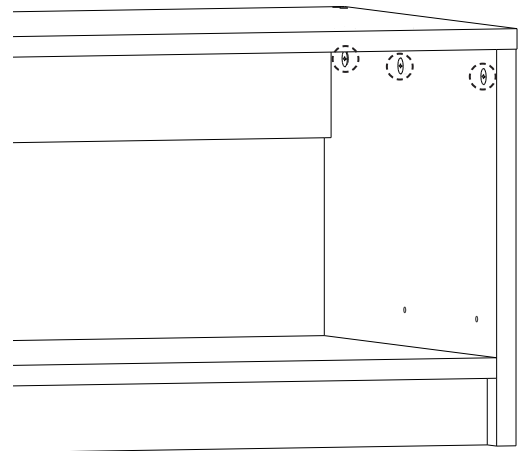
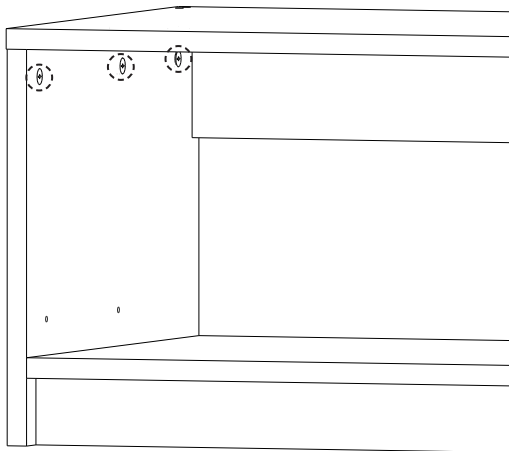
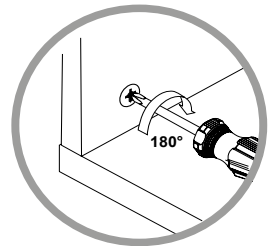
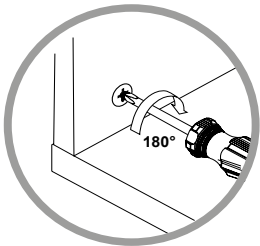
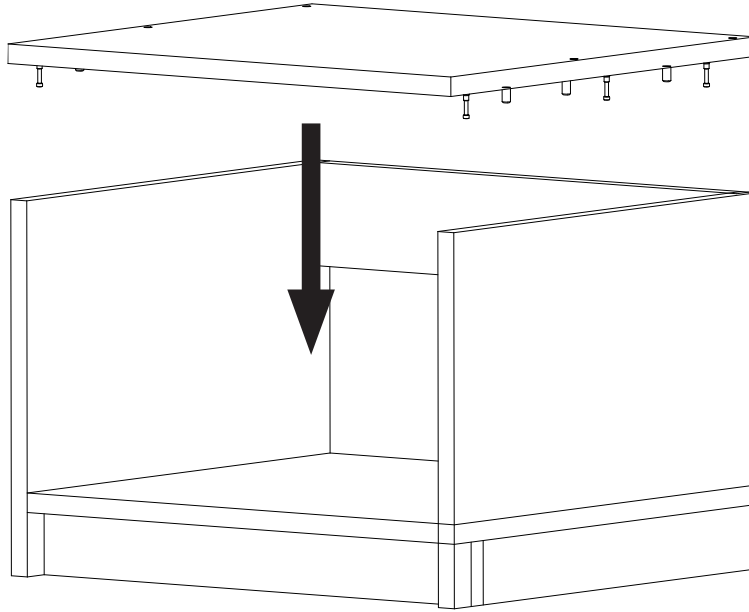
Campost



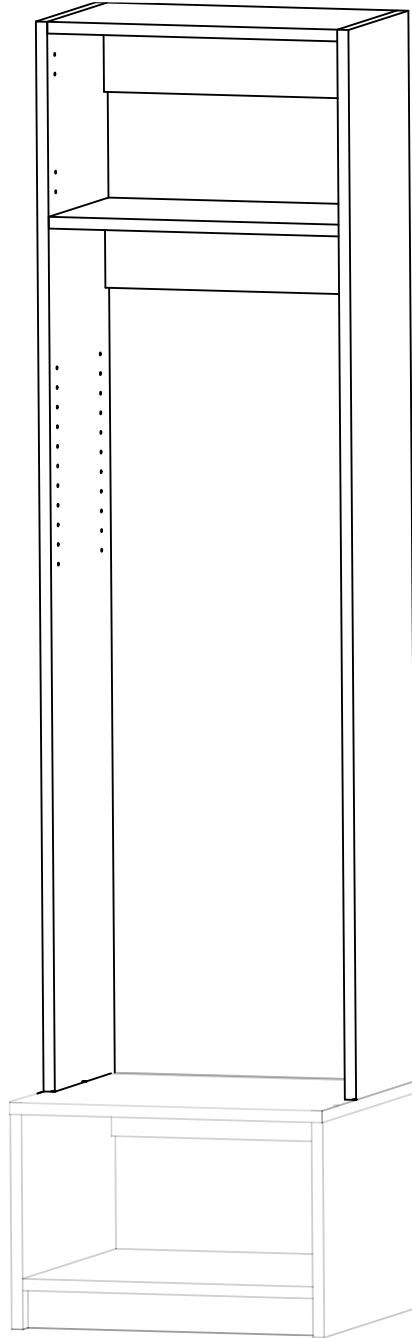


Step 14

Flip over and insert, then tighten the camlocks shown.



The upper shelves assembly will begin now.

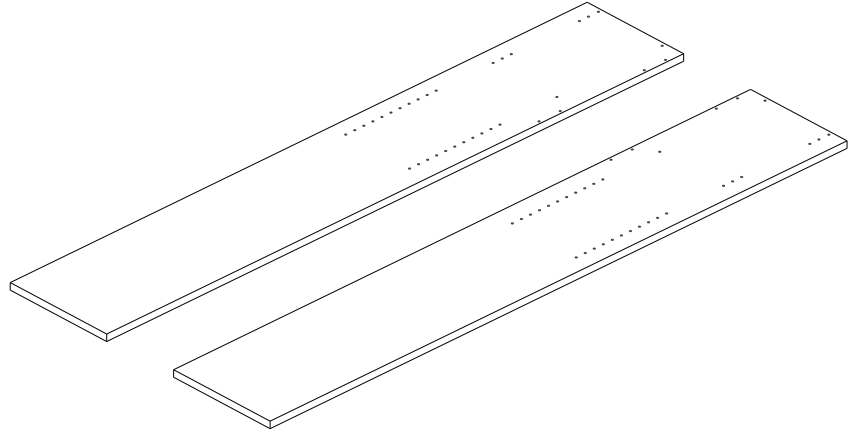




Boxes Needed

MDR-USP

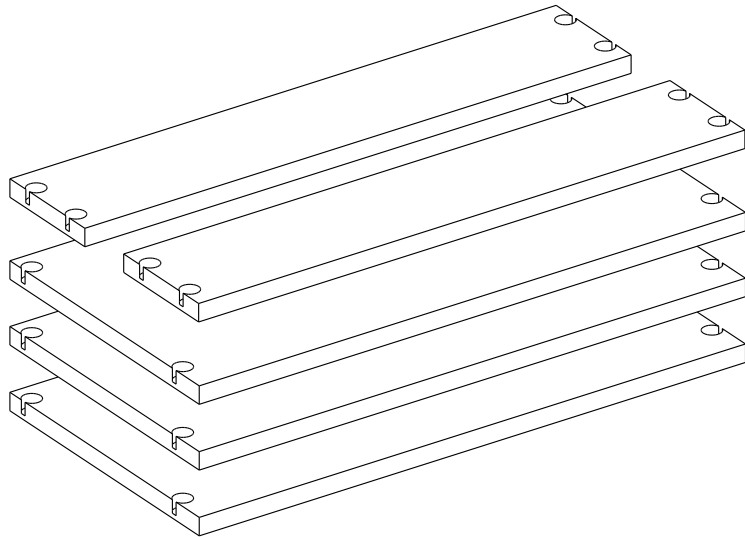
Mudroom Upper side panel pack



MDR-UFS (19.5 / 25)

Mudroom Upper Shelf Pack-(19.5" / 25")

Single pack

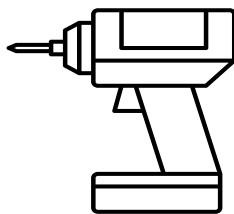


Tools needed

Rubber mallet



Drill



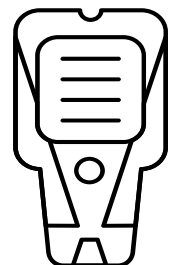
Level



Philips screw driver



Stud finder

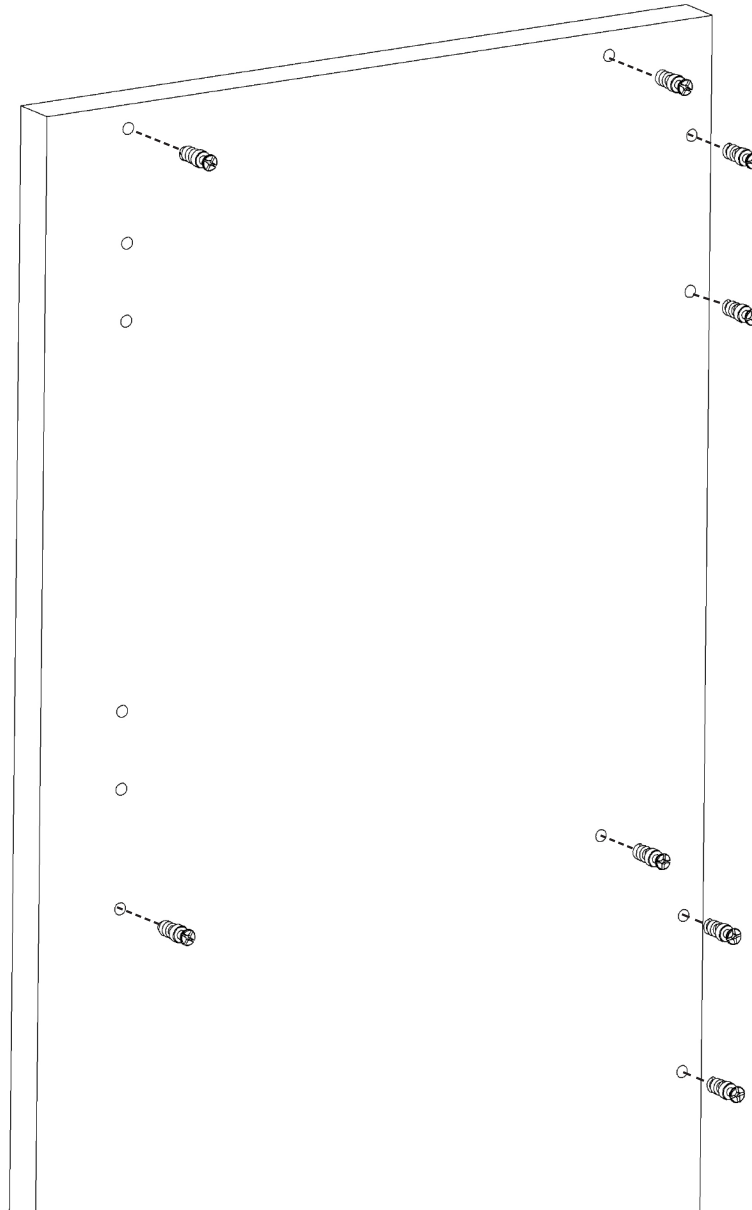
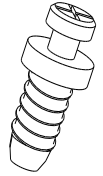


2 person assembly suggested

Step 1

Insert hardware into Side Panels and Center Panels. Use the screw dowel in the spots shown.

Screw Dowel



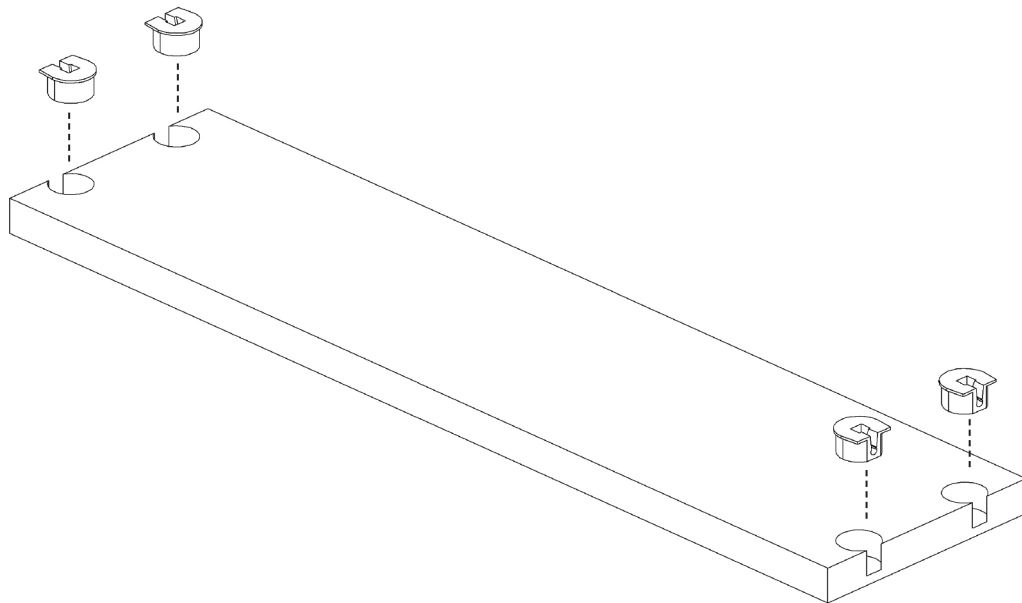
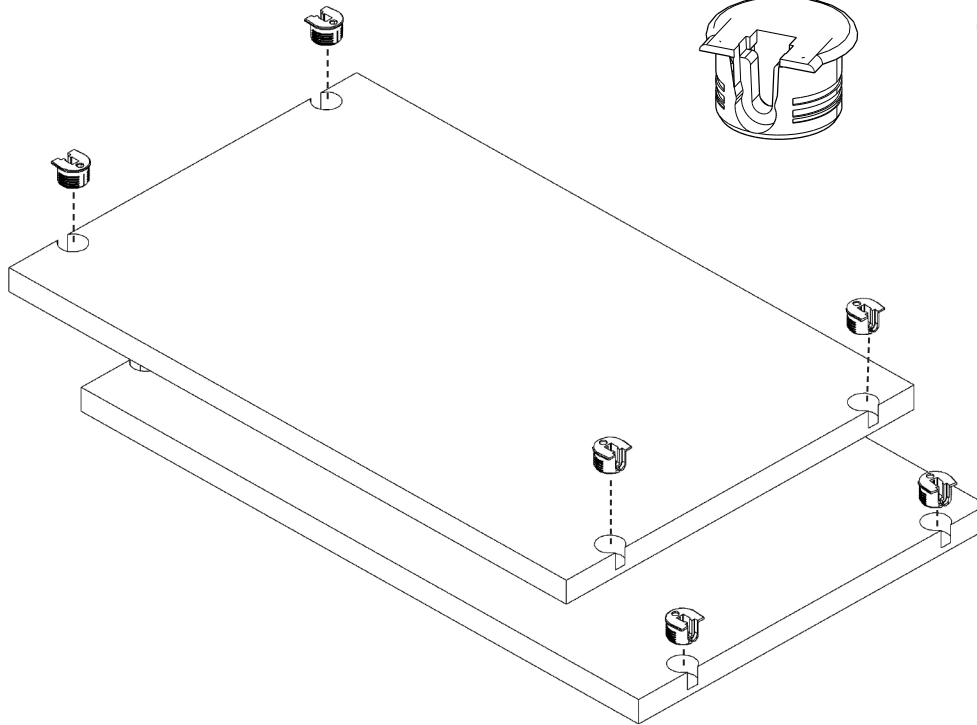
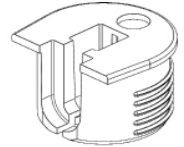
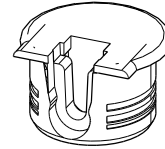


Step 2

Insert rafix clips into a fixed shelf and wedgexes into a cleat. (Supplied third shelf will be used later as an adjustable shelf.)

Wedgex

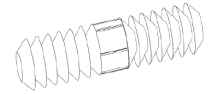
Rafix
(with locking mechanism)



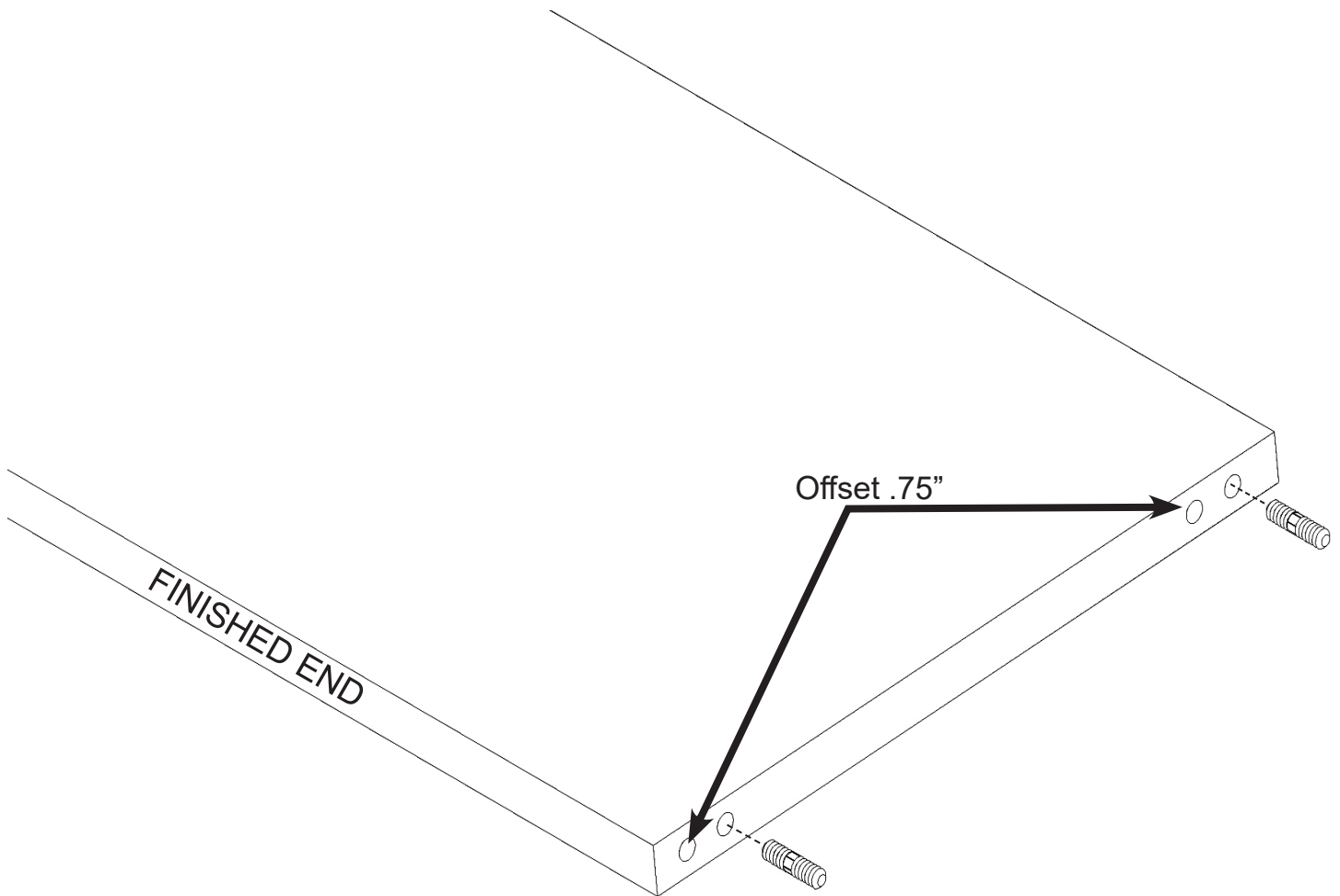
Step 3

Insert OVVO dowels into the appropriate bottoms of both side panels.

OVVO Dowel



Please note that the second set of pre-drilled dowel holes at the bottom of the panel can be used when offsetting the unit from the wall to account for standard baseboards



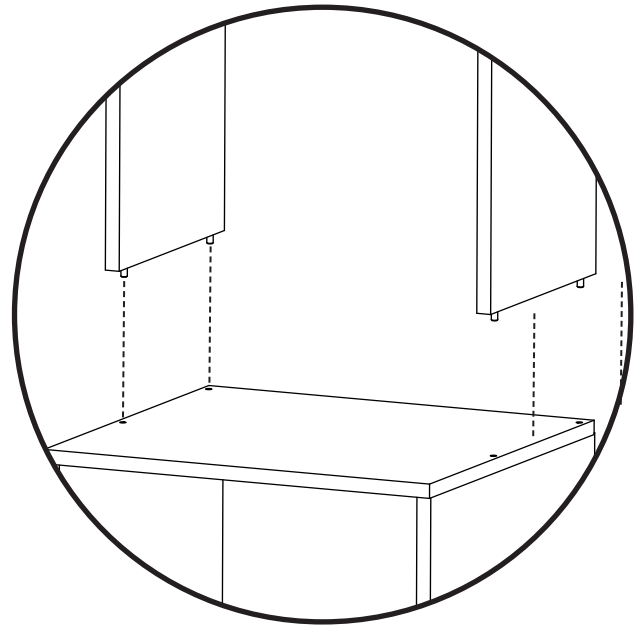
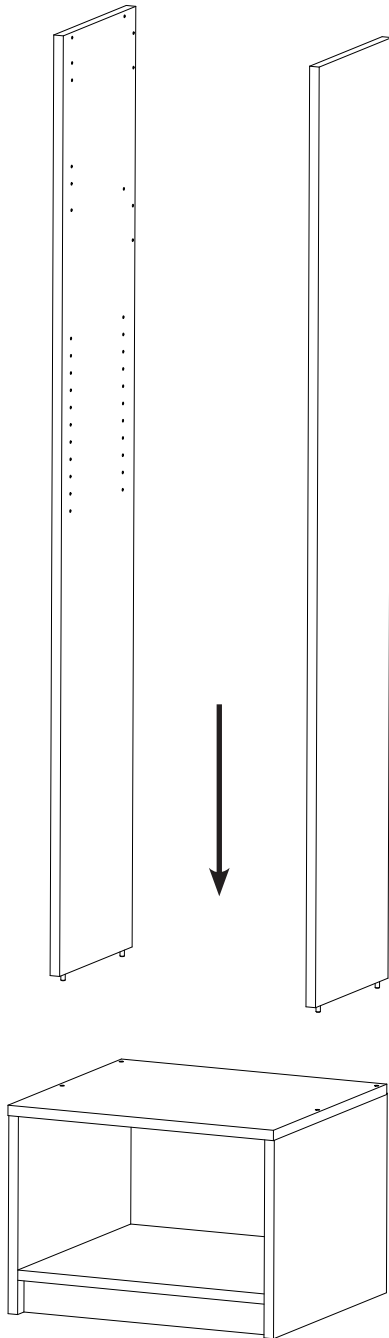


Step 4

Take one side panel and one side/center panel (if applicable) and insert them into the top of the previously assembled mudbench (at this point, two people are recommended to help keep the panels steady and upright).



2 Person
Recommended

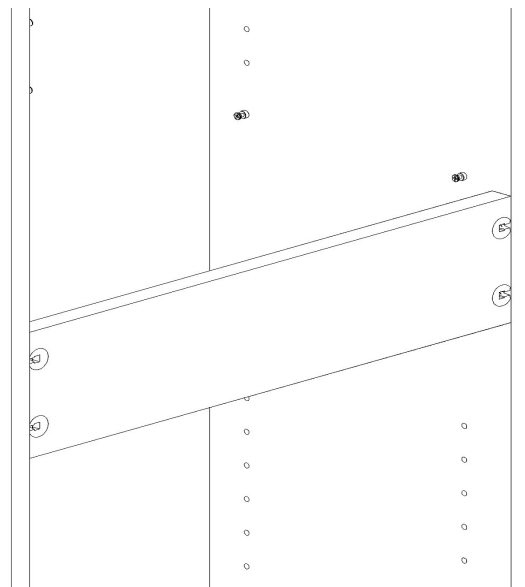
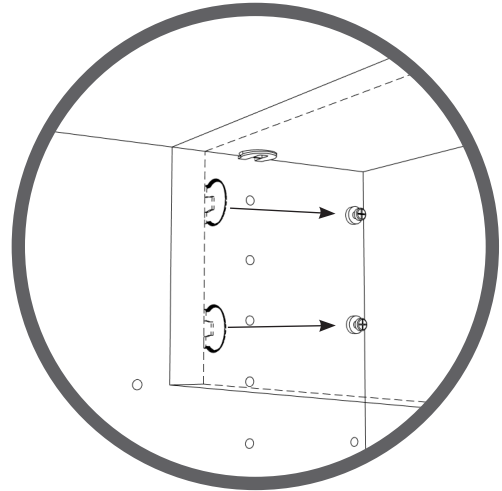
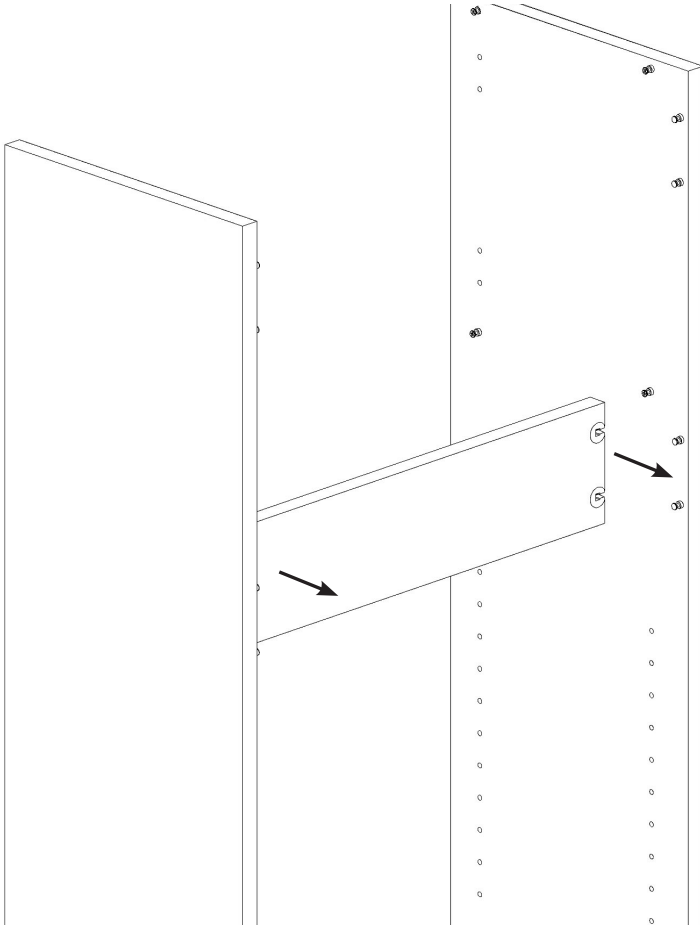


Step 5

Slide the cleat into the 4 lower screw dowels installed on the panels.



2 Person
Recommended



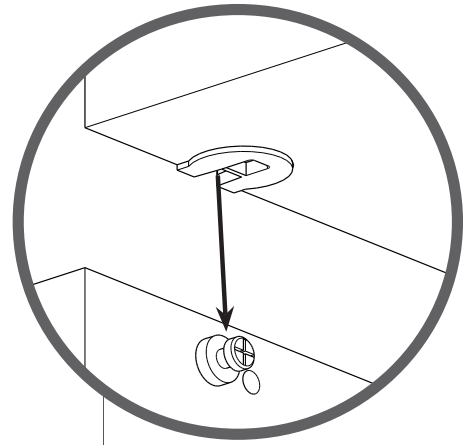
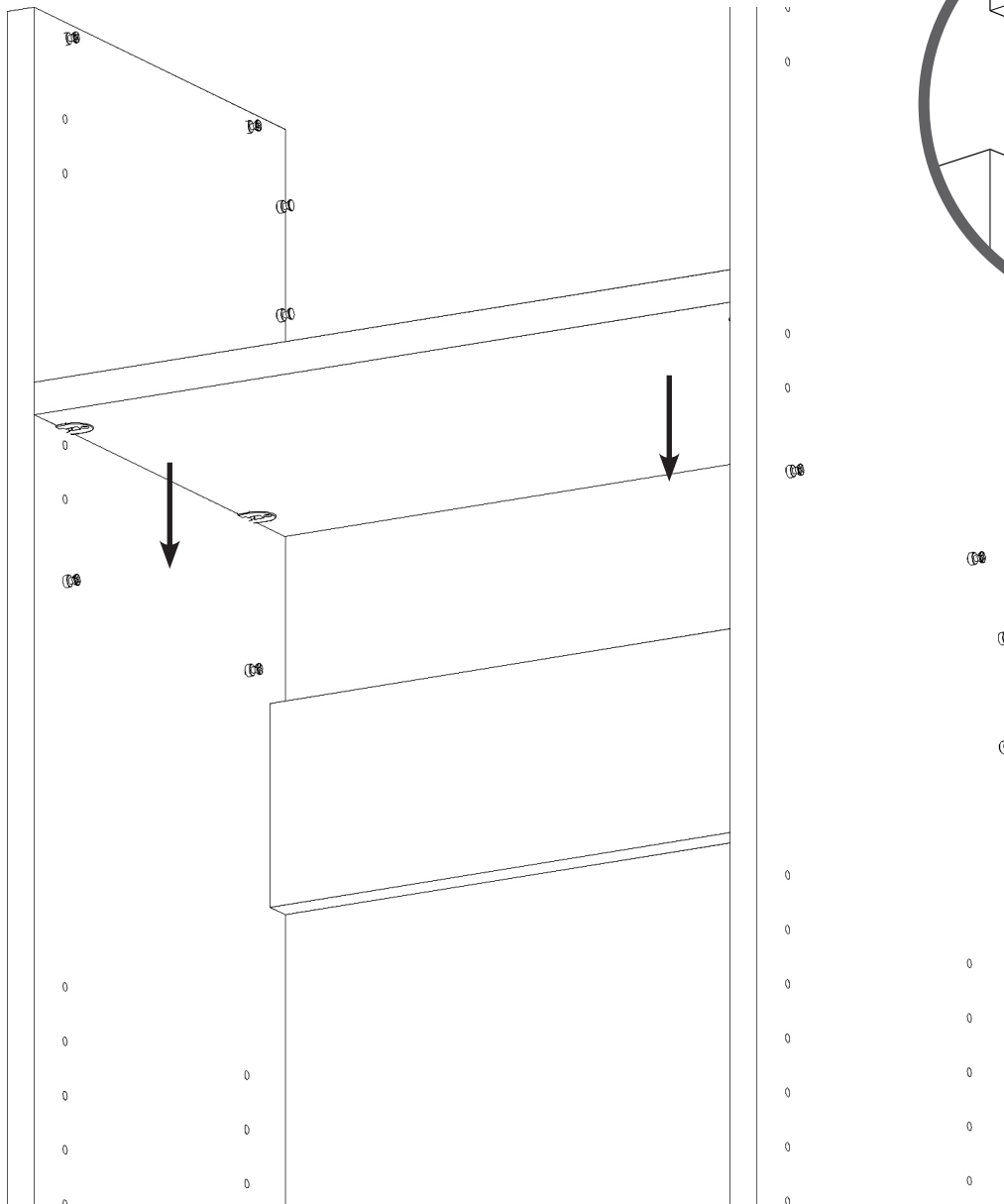


Step 6

Connect the fixed shelf above the four lower screw dowels directly above the cleat.



2 Person Recommended

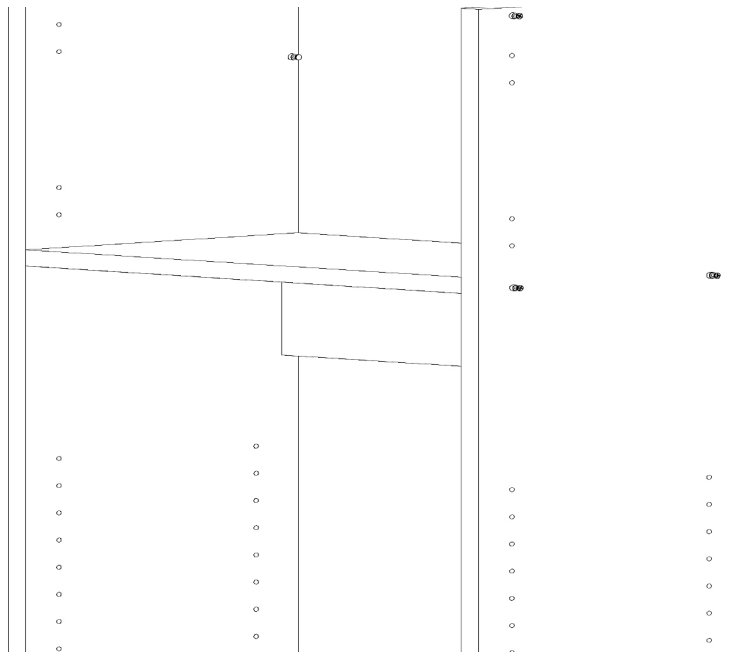
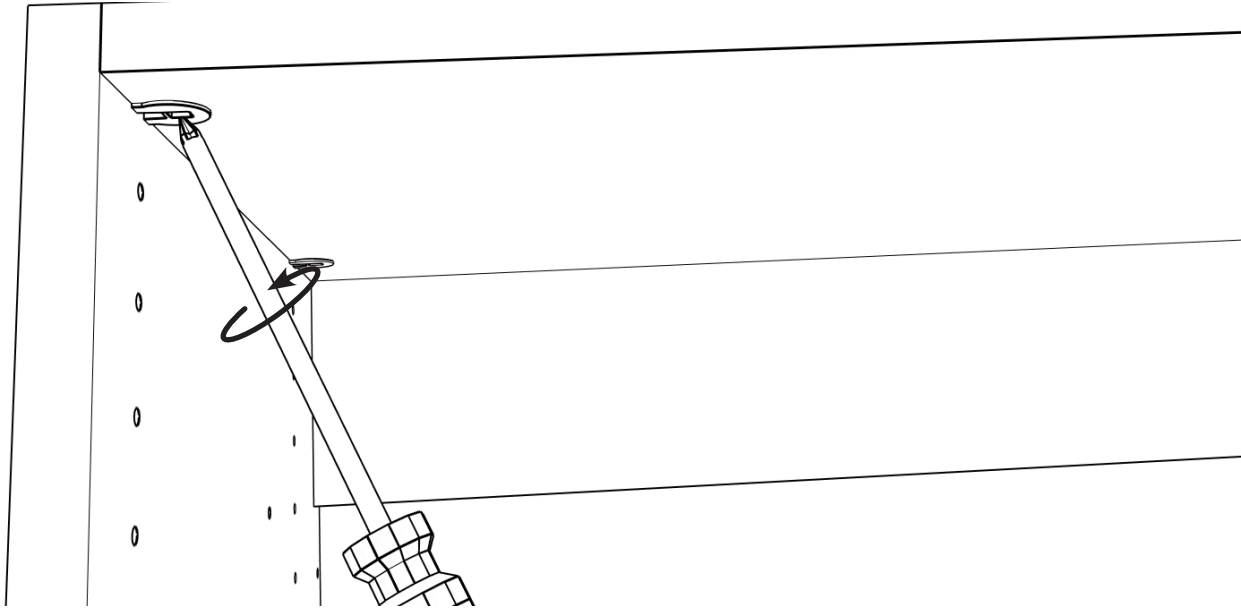


Step 7

Using a Philips screw driver, tighten and secure all 4 rafxes



2 Person
Recommended



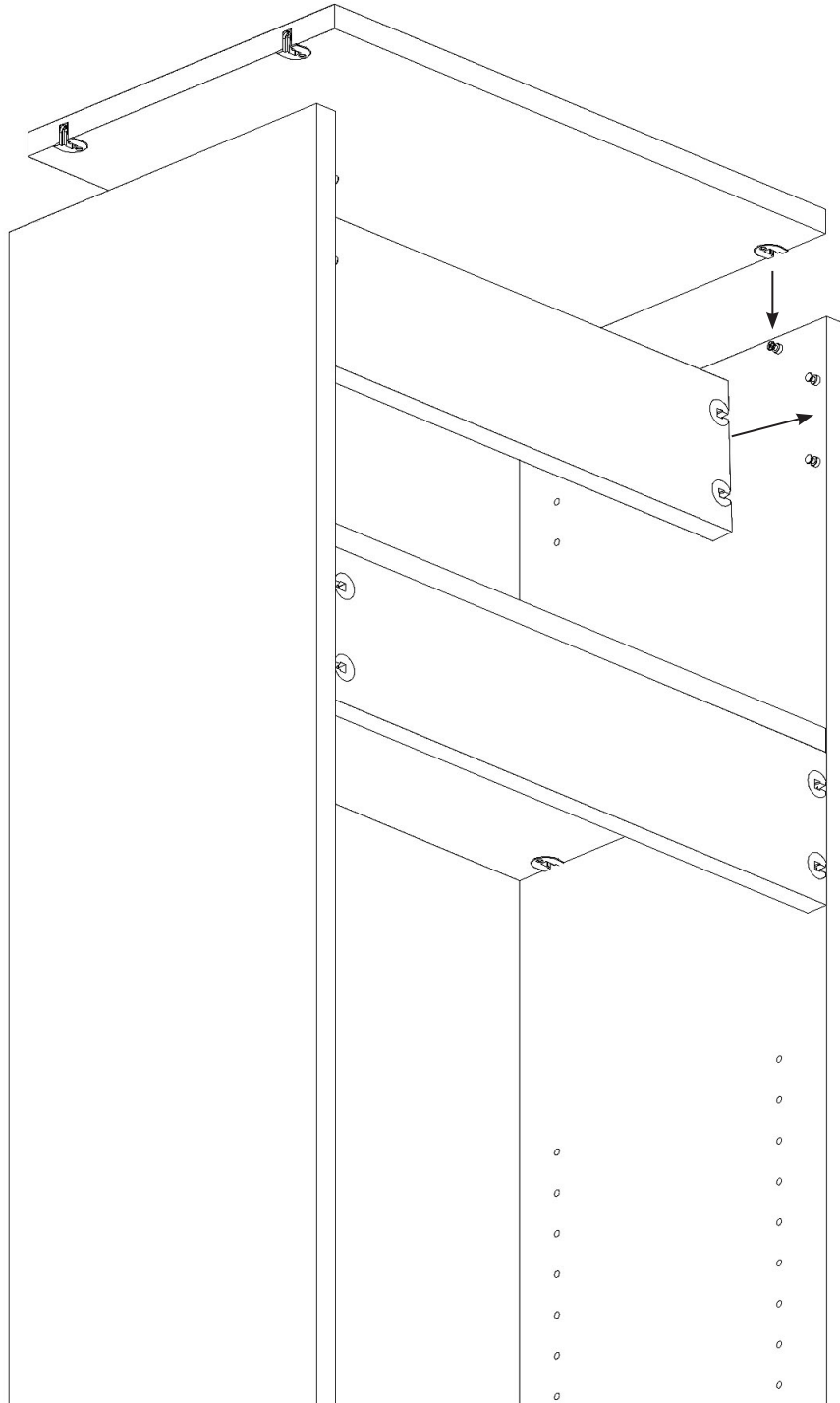


Step 8

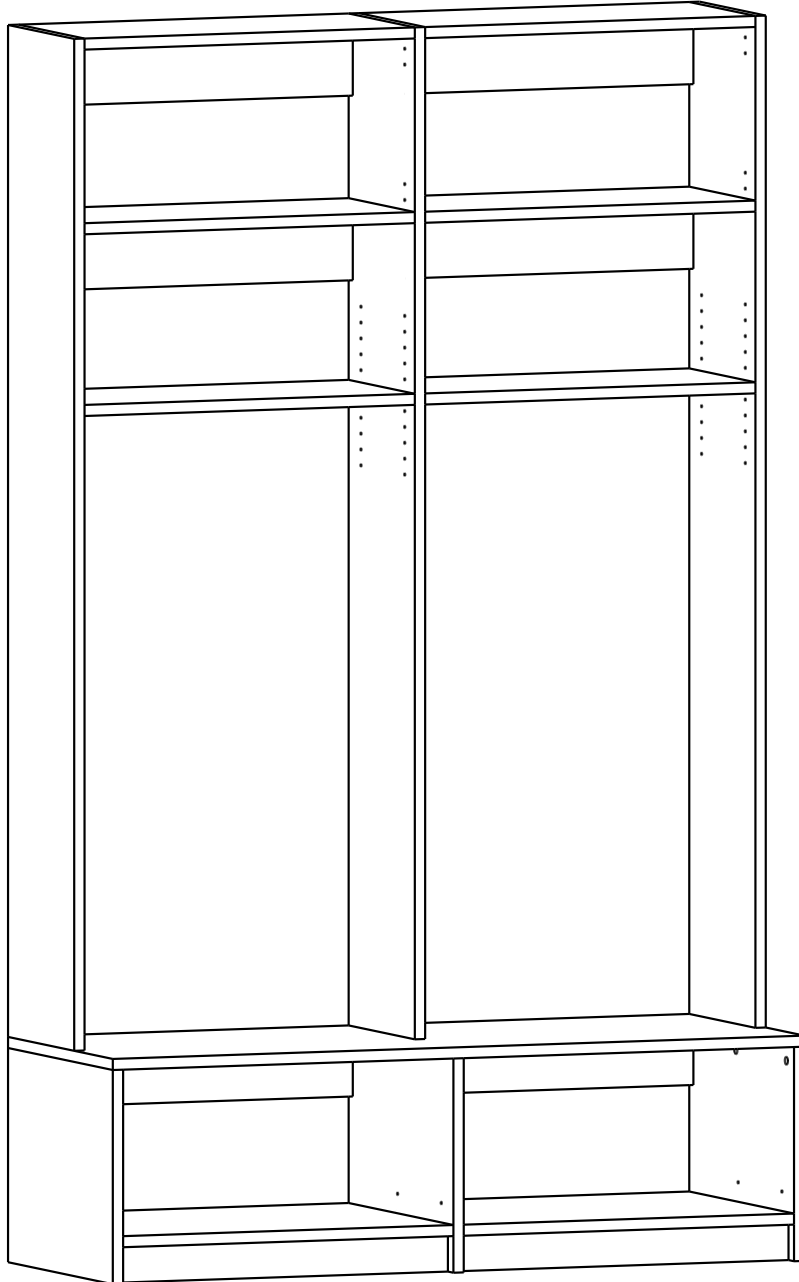
Repeat steps 4-7 for the upper fixed shelf and cleat between the two side panels.



2 Person Recommended



Double Mudroom

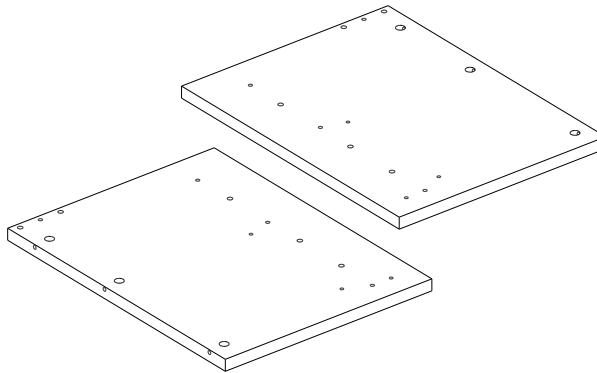




Boxes Needed

MDR-BSP

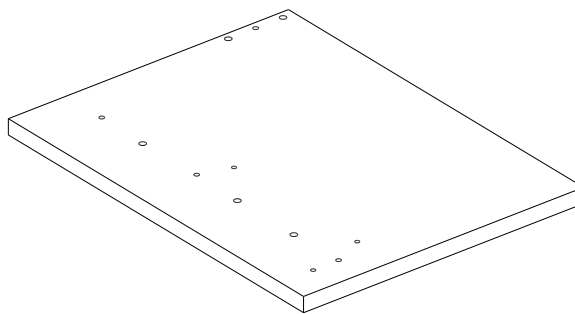
Mudroom bench side panel pack



MDR-BCP

Mudroom Bench Center Panel Pack
(1 or 2 Pack)

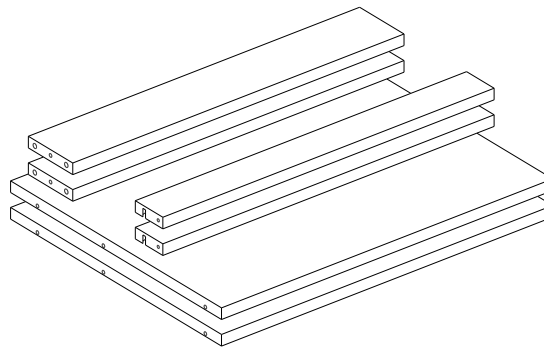
Single pack or double pack or both depending on mudroom size



MDR-BFS

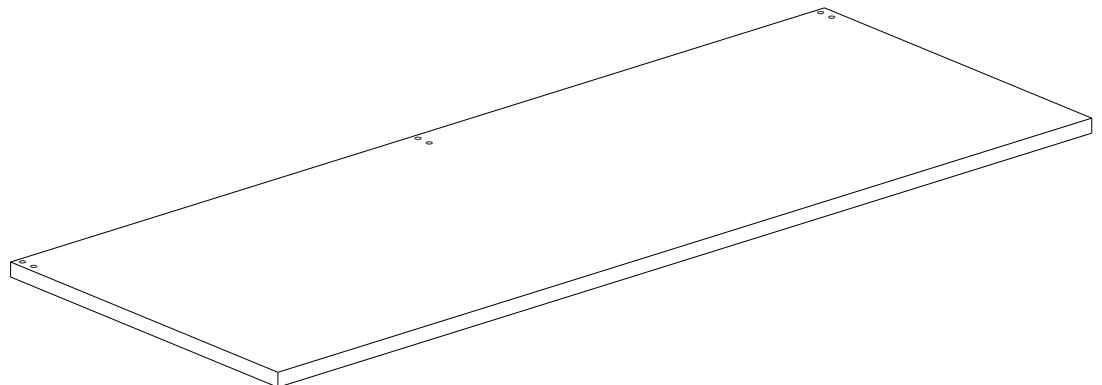
Mudroom Bench Shelf Pack

Single pack or double pack or both depending on mudroom size



MDR-MBT (BTP)

Mudroom Top

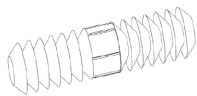

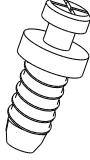
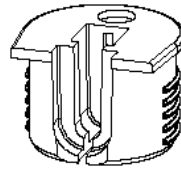
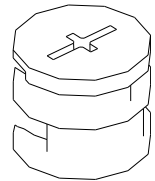
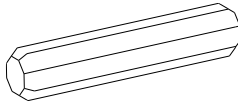
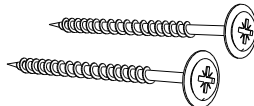

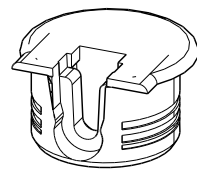
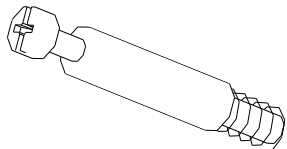



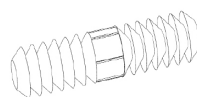

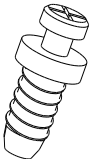
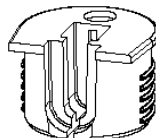
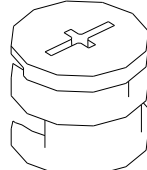
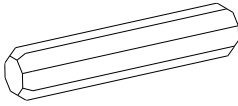

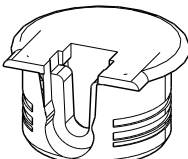
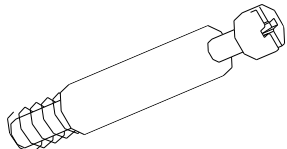
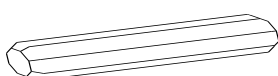
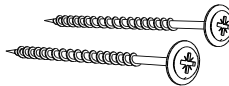
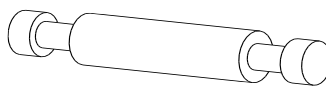



Hardware Packs Needed:

HRDP-MDR1

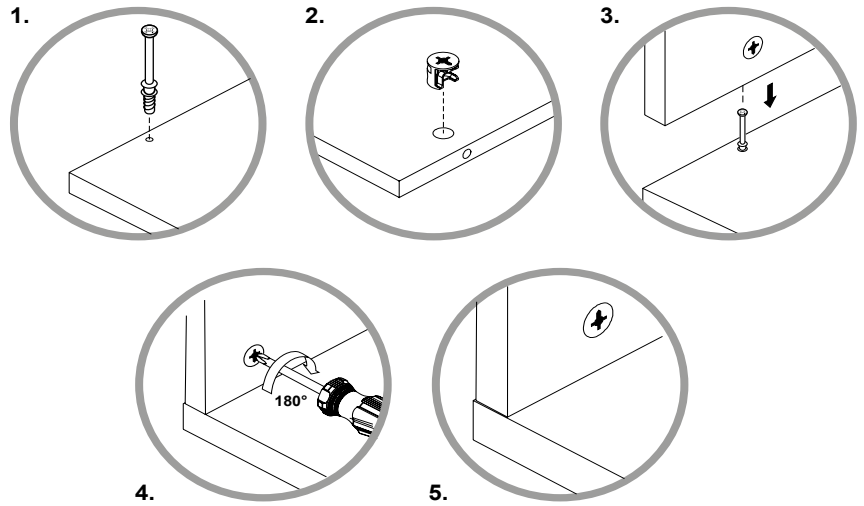
HRDP-MDR2

<p>OVVO Dowel x4</p> 	<p>Push Dowel x4</p> 	<p>Screw Dowel x20</p> 	<p>Rafix x18 (with locking mechanism)</p> 	<p>Camlock x14</p> 
<p>Wooden Dowel x6</p> 	<p>Install Screws x4</p> 	<p>Hook x2</p> 	<p>Wedgex x4</p> 	<p>Campost x14</p> 
<p>5/8 Screws x6</p> 				

<p>OVVO Dowel x2</p> 	<p>Push Dowel x4</p> 	<p>Screw Dowel x20</p> 	<p>Rafix x18 (with locking mechanism)</p> 	<p>Camlock x11</p> 
<p>Wooden Dowel x3</p> 	<p>Hook x2</p> 	<p>Wedgex x4</p> 	<p>Campost x3</p> 	
<p>Wooden Dowel 50mm x5</p> 	<p>Install Screws x4</p> 	<p>Double Campost x4</p> 	<p>5/8 Screws x6</p> 	



How to use the Cam lock system:

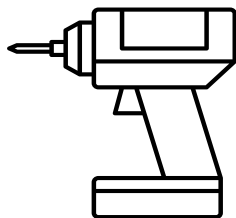


Tools needed

Rubber mallet



Drill



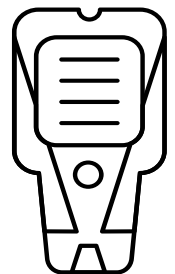
Level



Philips screw driver



Stud finder

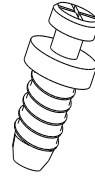


2 person assembly suggested

Step 1

From Box MDR-BSP take the bench side panels and insert the hardware as shown.

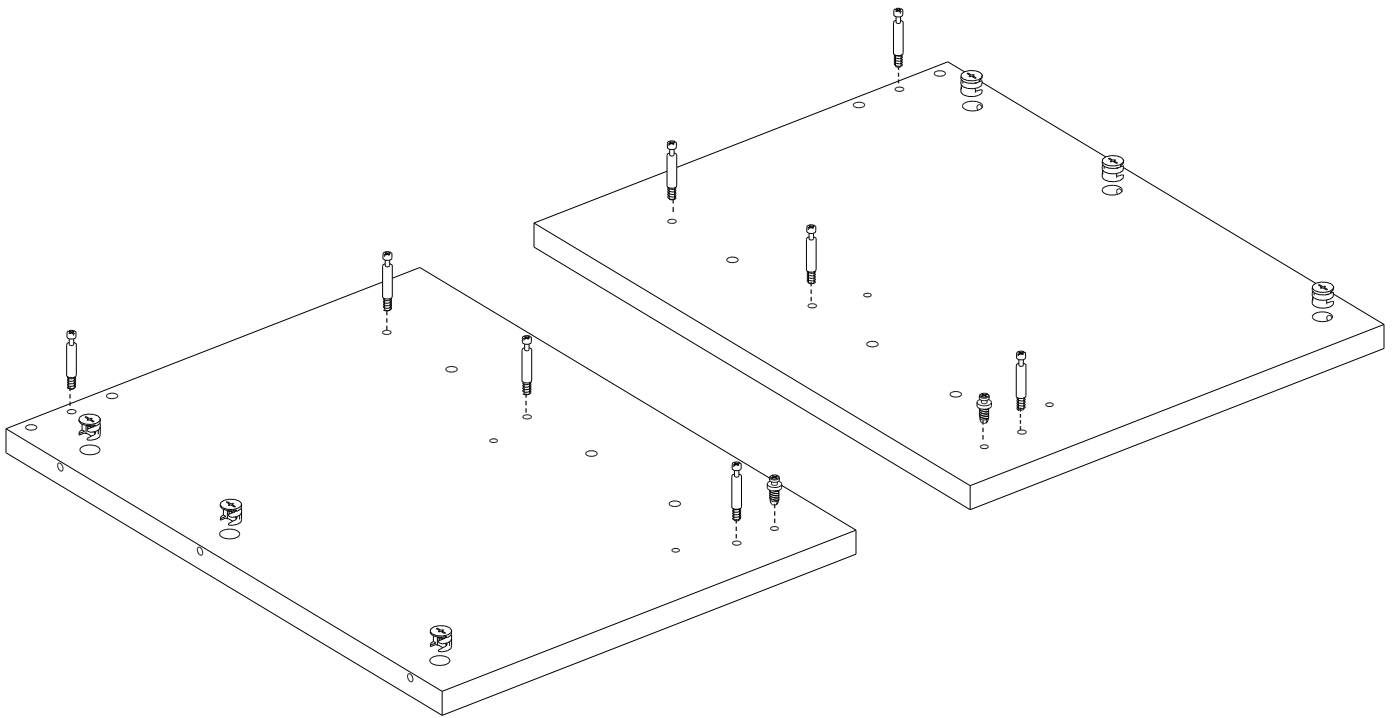
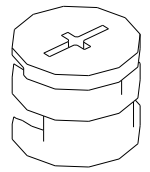
Screw Dowel



Campost



Camlock





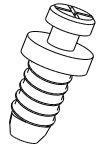
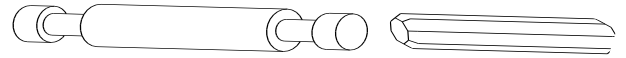
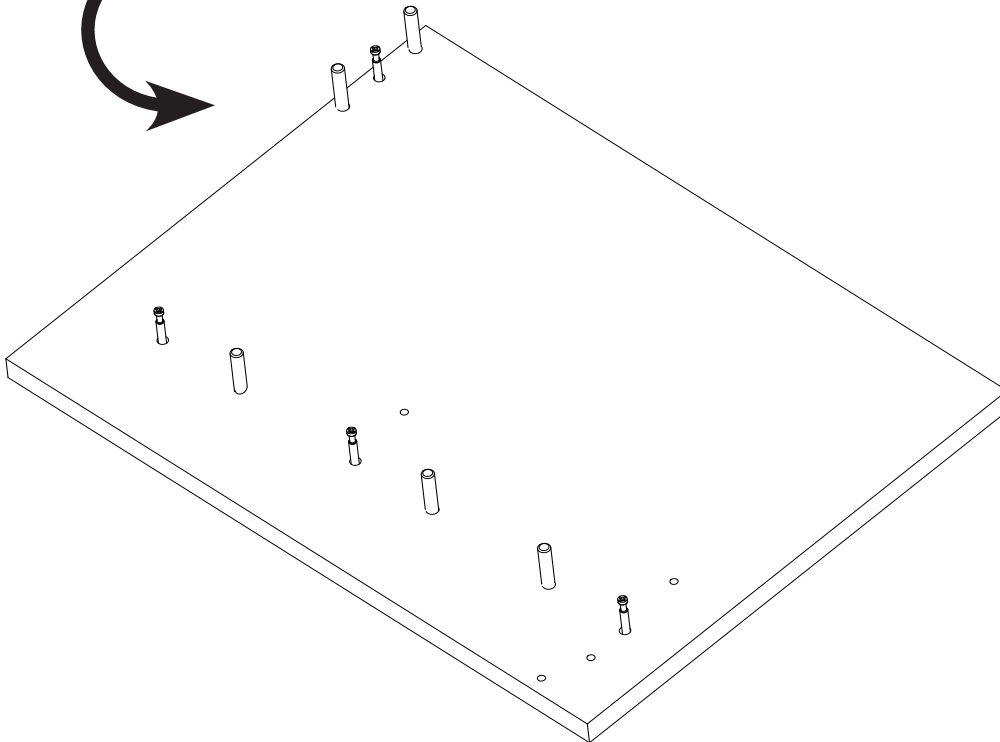
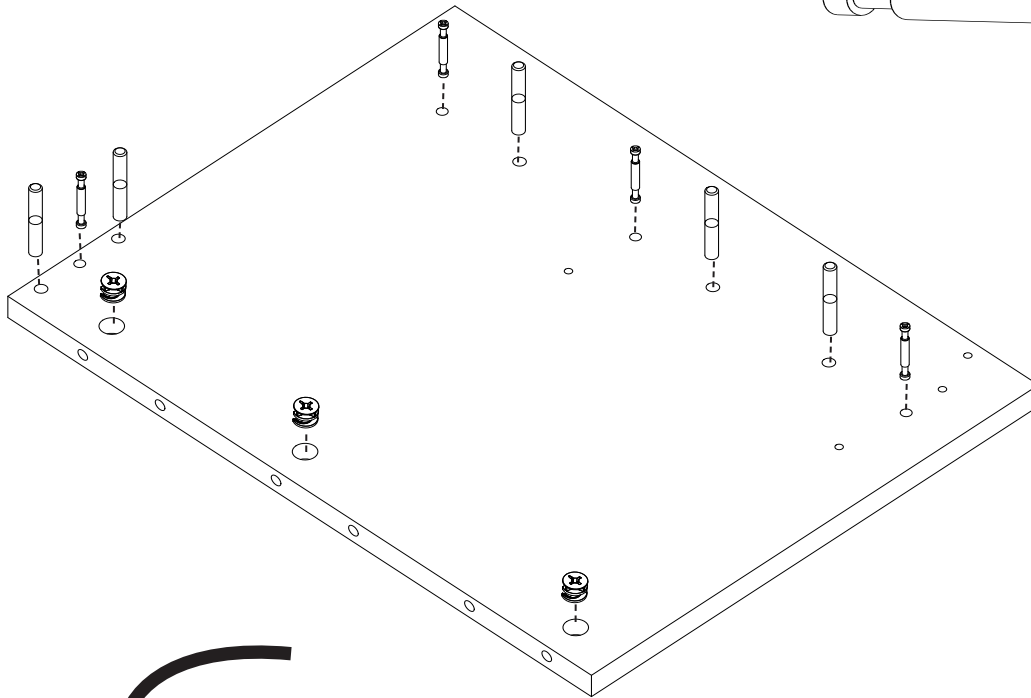
Step 2

For all center panels in boxes MDR-BCP insert the double camposts and longer wood dowels until about halfway. Insert the screw dowel. Flip over and insert second screw dowel.

Double Campost

Long Wooden Dowel

Screw dowel

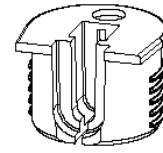


Please ensure to measure both supplied wooden dowels against each other to make sure you are using the correct 'longer' variant here. Please mark and set aside the shorter dowels for a future step.

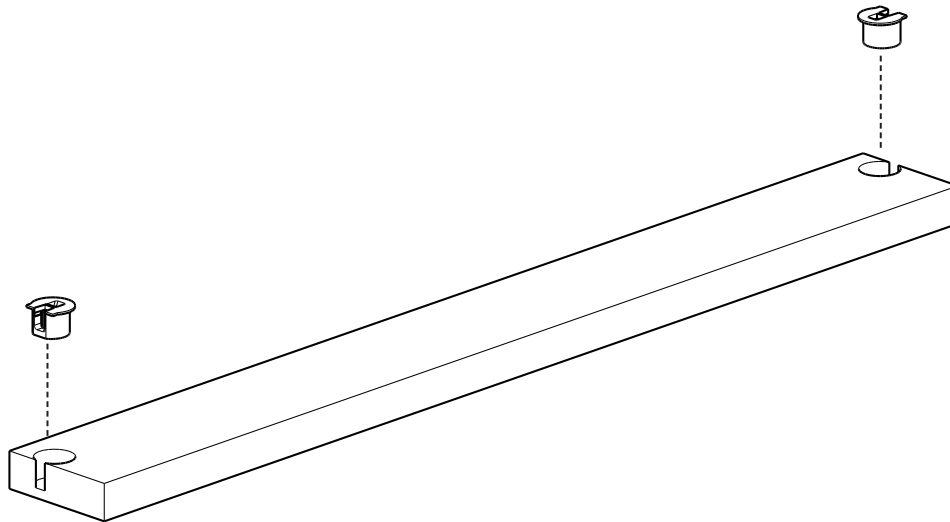
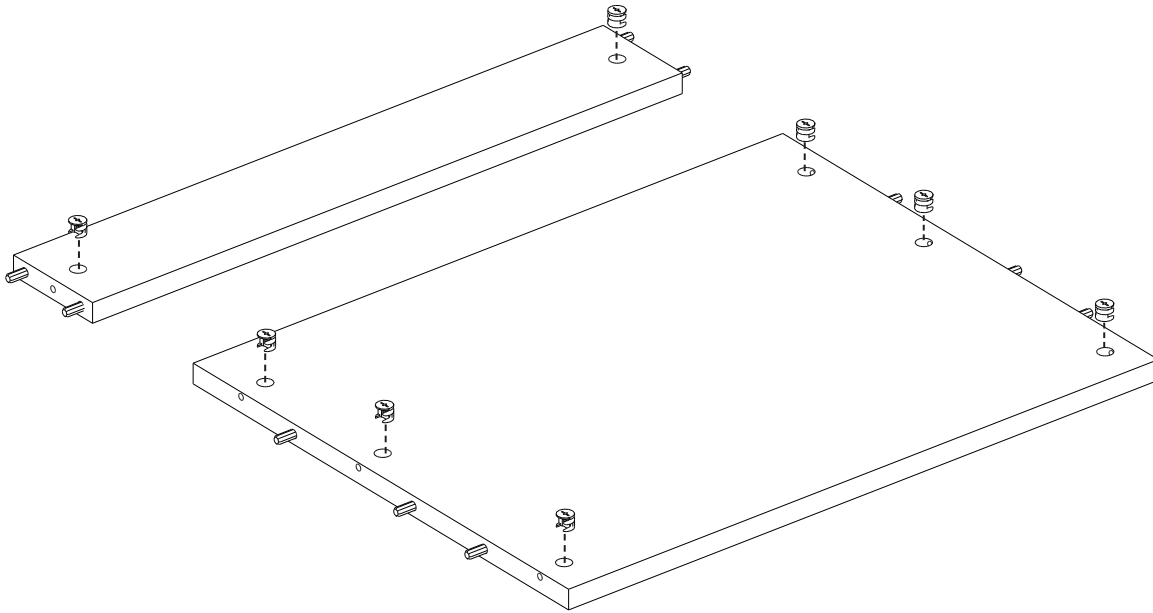
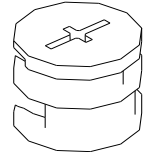
Step 3

From the box MDR-BFS, insert camlocks in to the shelves and cleats, and rafixes into the toekicks.

Rafix



Camlock

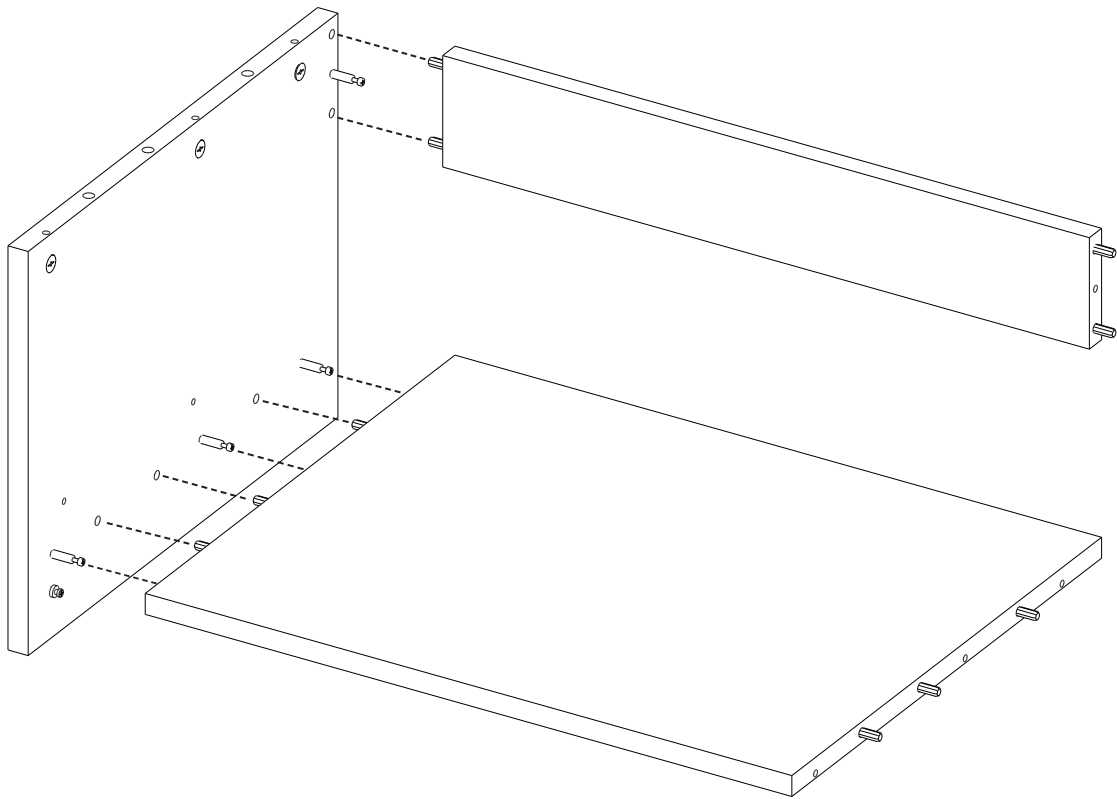


Repeat Steps 2-3 for all the Mudroom Bench Shelf packs



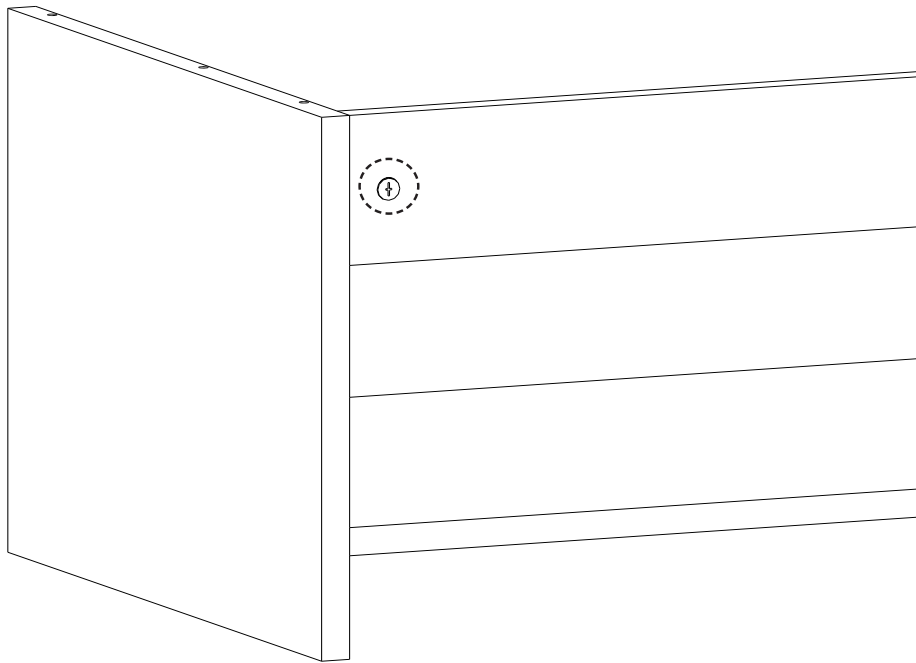
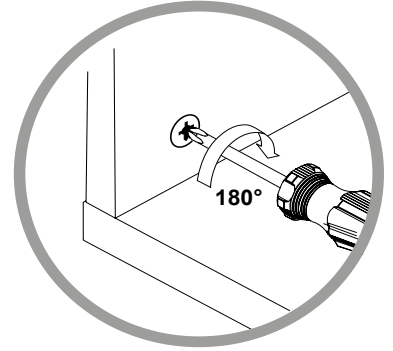
Step 4

Connect the cleats and shelves to the left side panel.



Step 5

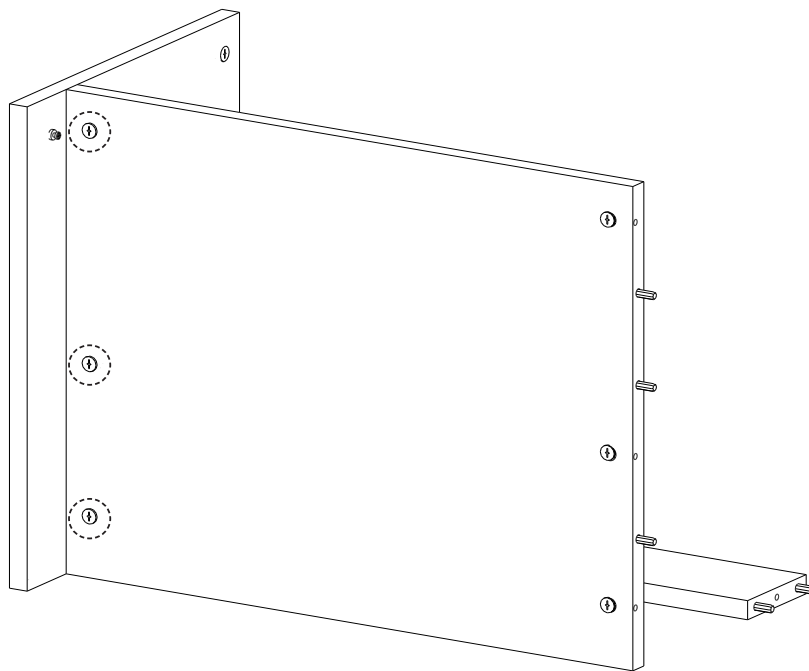
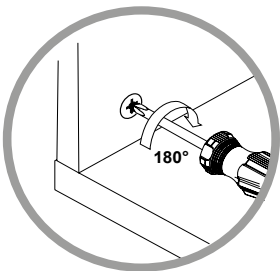
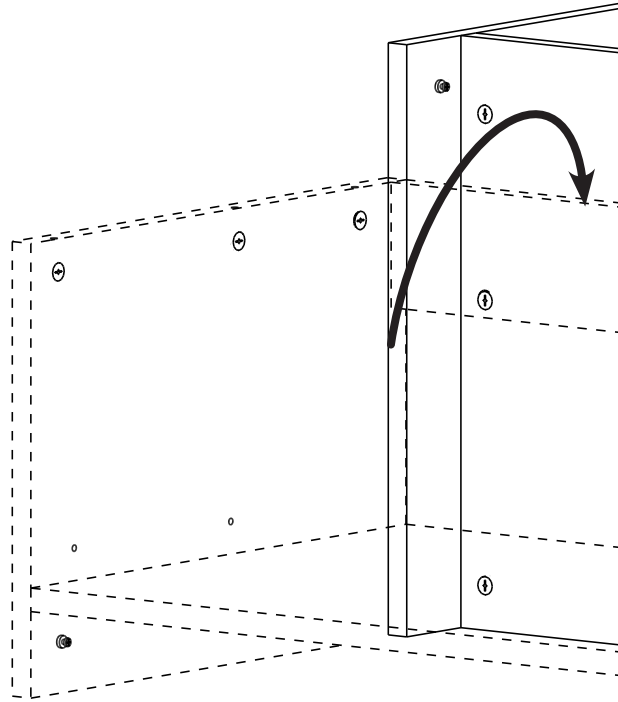
Tighten the camlock from the back of the unit.





Step 6

Carefully, flip the unit to the side and tighten the camlocks on the underside. (We recommend you line your floor to prevent scratches.)

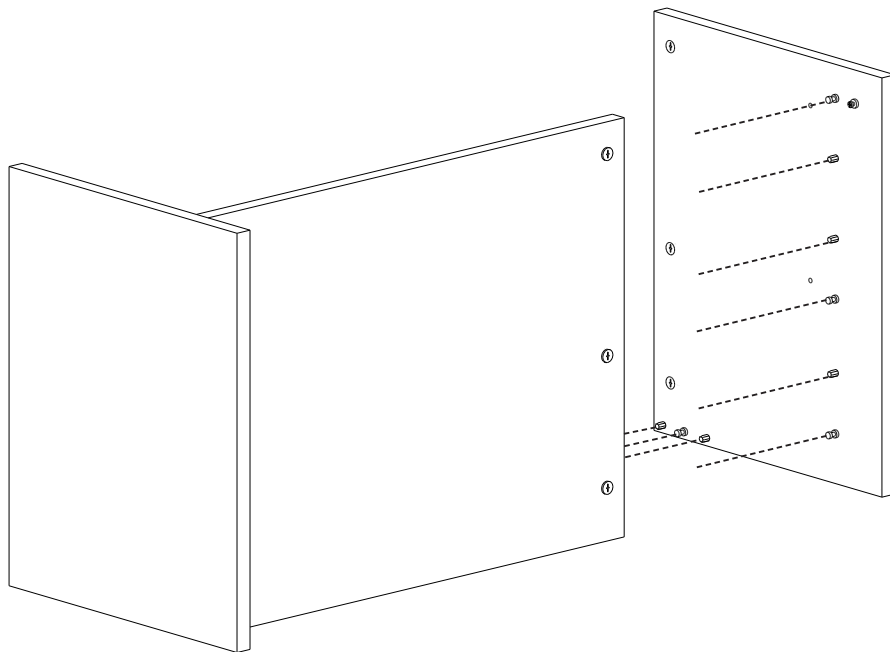
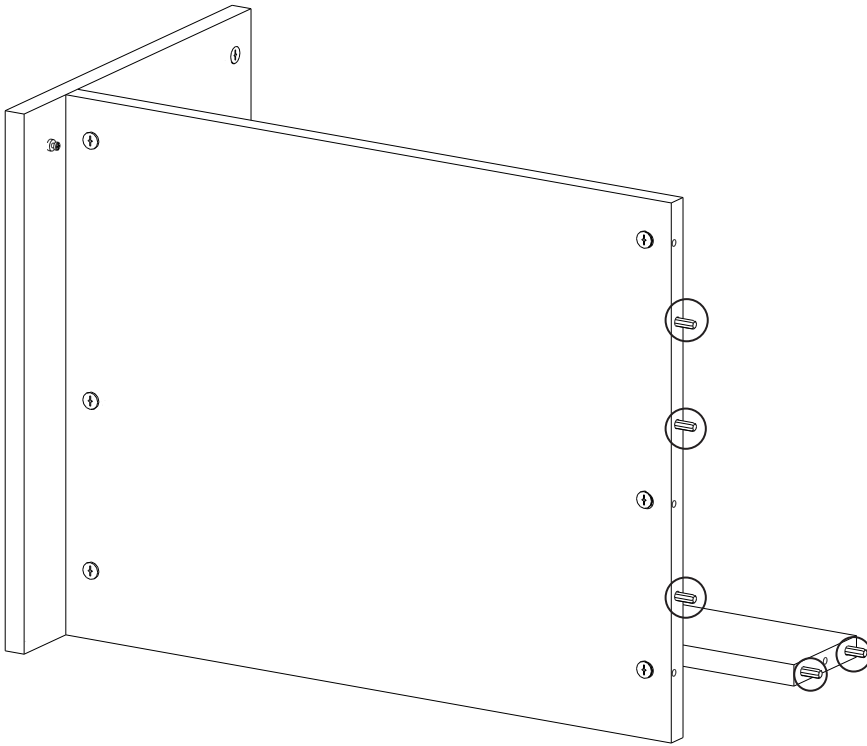
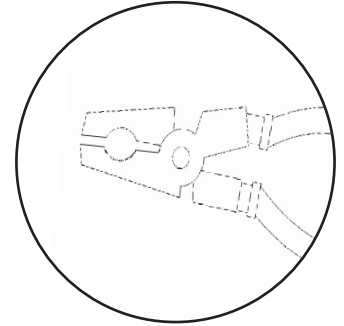


For Center Panels continue to step 7, for Side Panel continue to step 10.

Step 7

Remove the pre-installed wooden dowels from cleat and shelf. Once removed, connect the center panel to the shelf and cleat.

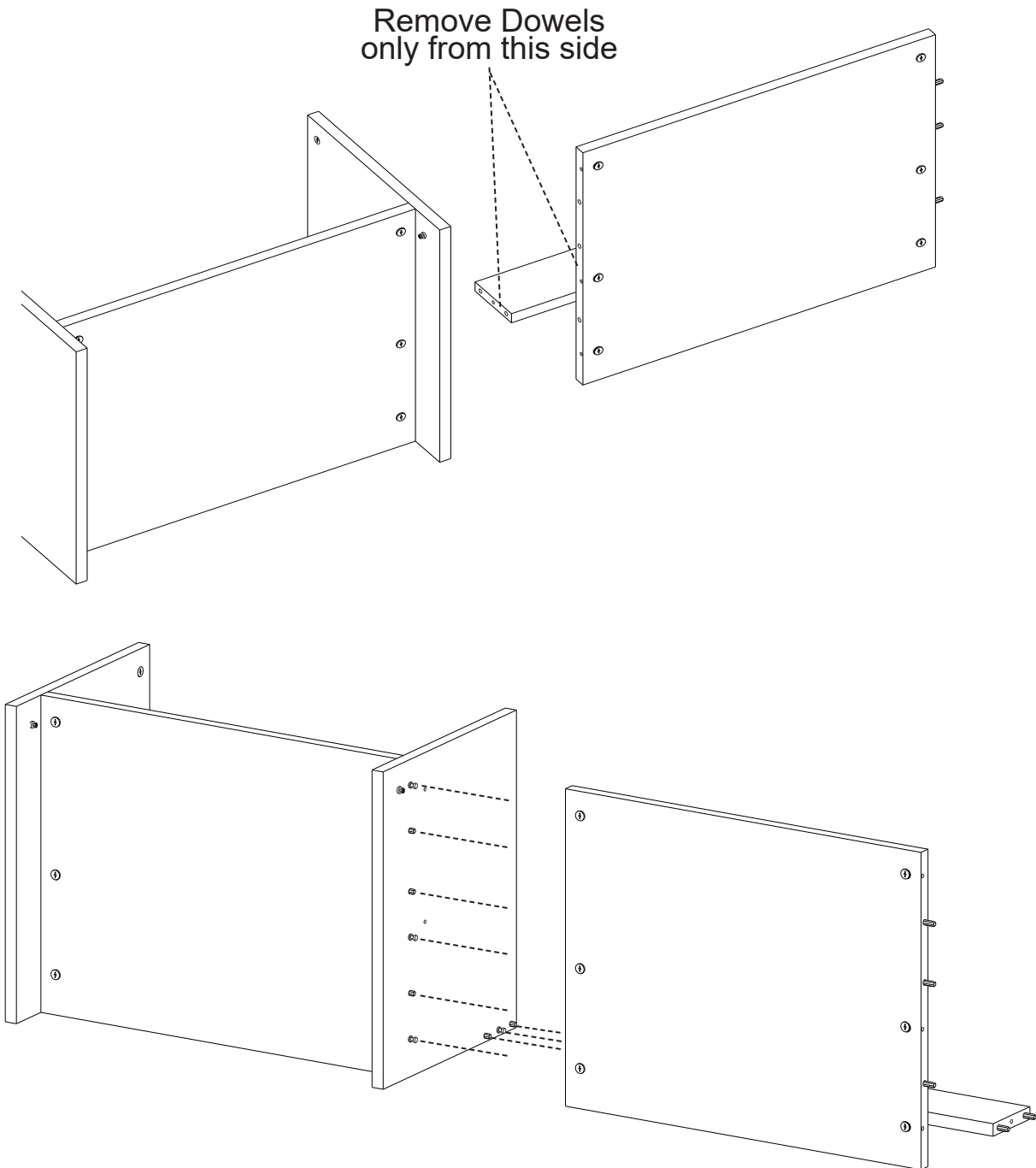
Note:
The use of pliers
might be necessary
to remove the default
dowels





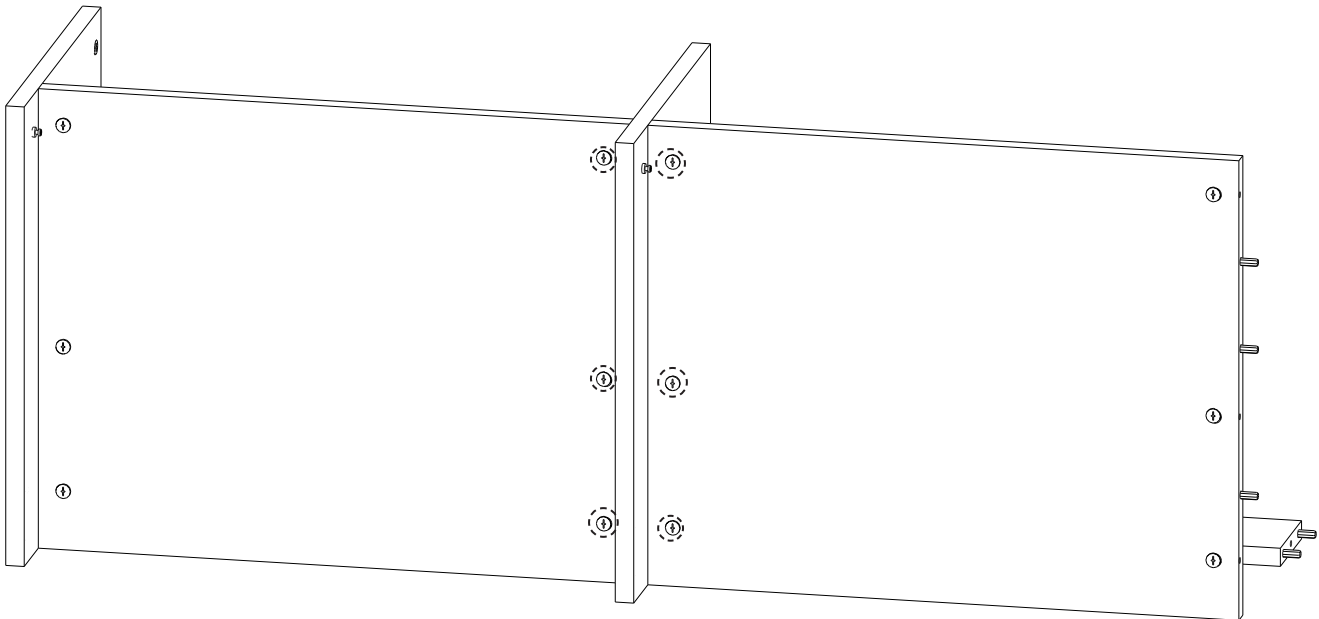
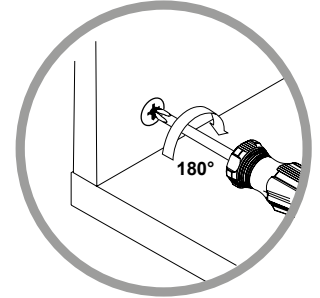
Step 8

After removing the pre-installed dowels on one side, connect a shelf and cleat to the center panel. Do not remove any dowels from the other side of the cleat and shelf unless connecting to another center panel.



Step 9

Tighten the camlocks from the underside

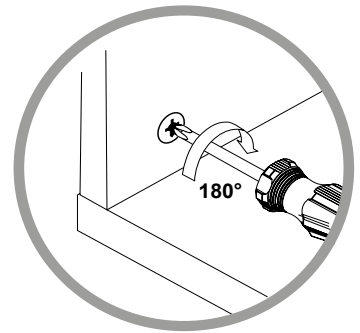
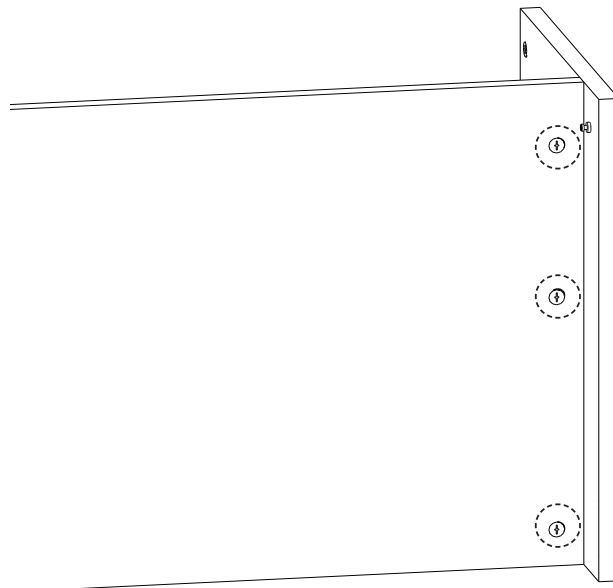
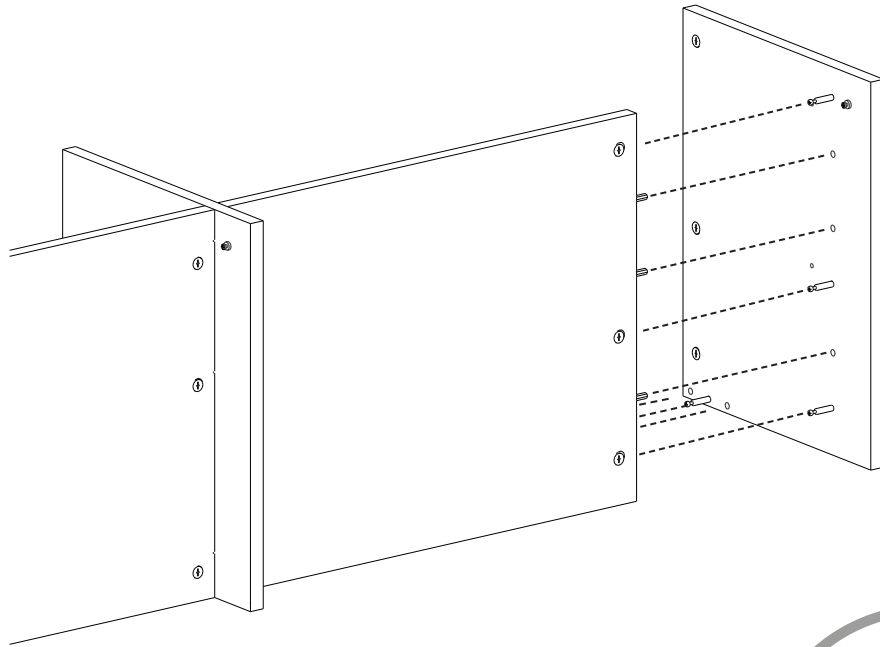


Repeat steps 7-9 for each Center Panel.



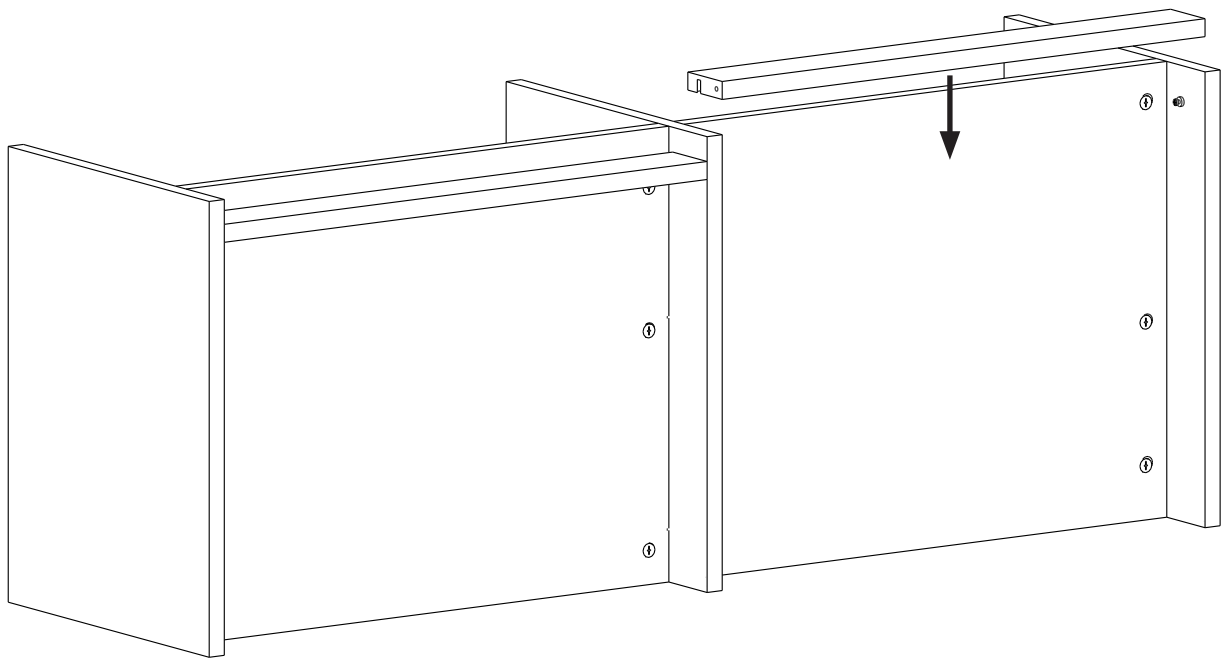
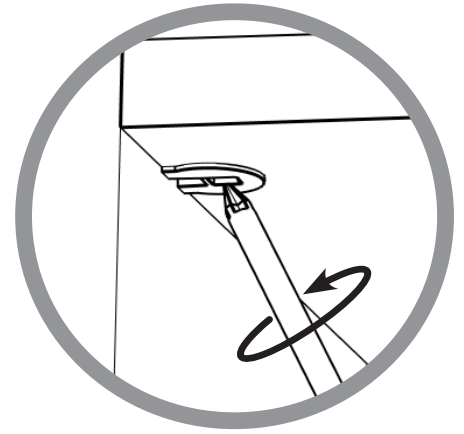
Step 10

Connect the right side panel and tighten the camlocks.



Step 11

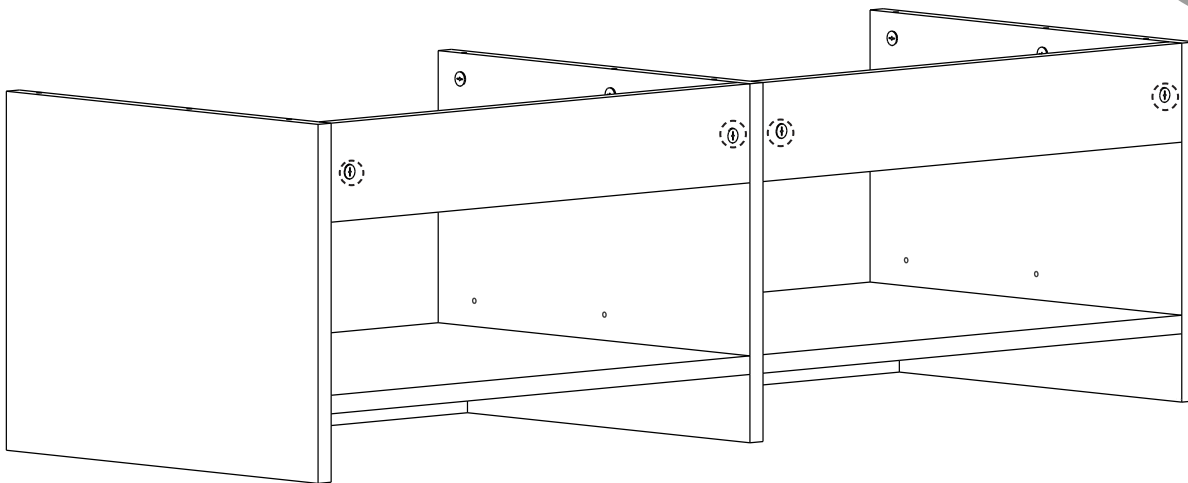
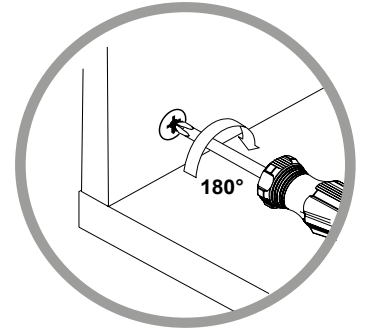
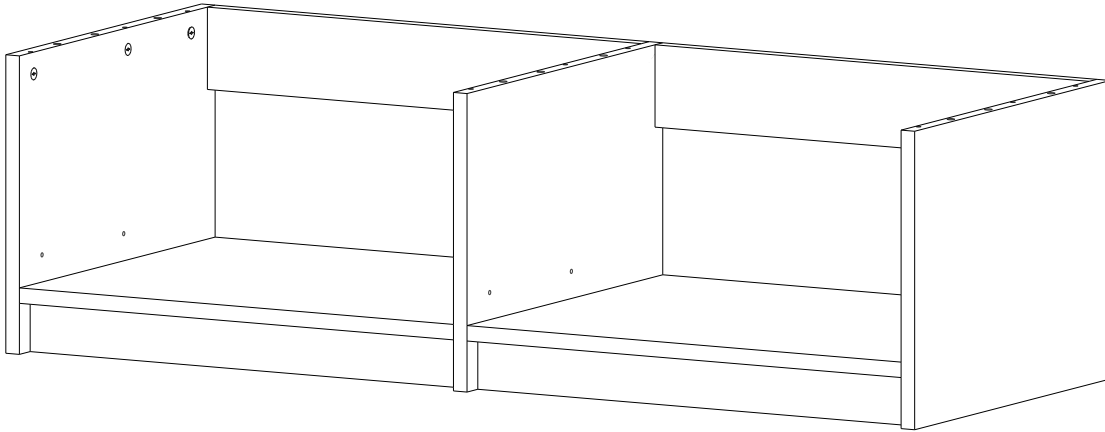
Connect the toe kicks to the screw dowels, then tighten the rafixes shown.





Step 12

Very carefully, flip the unit back upright and then tighten the camlocks for the cleats in the back



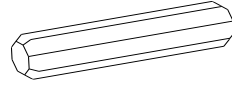
Step 13

Insert the hardware into the bench top

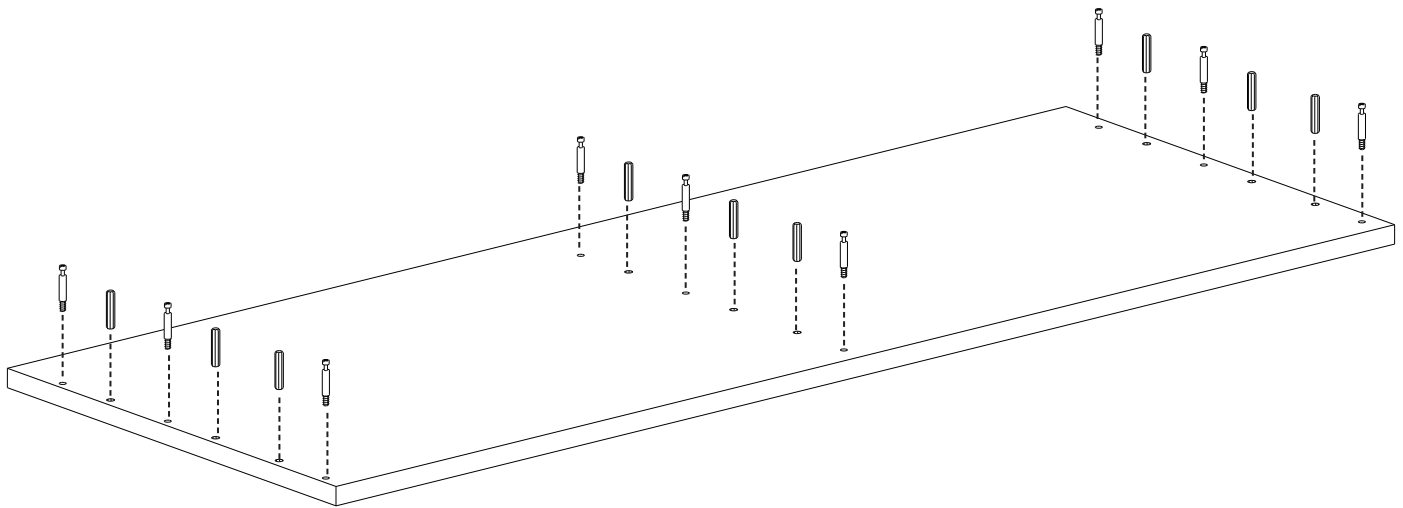
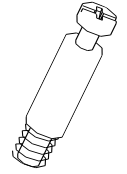


This step requires the 'shorter' wooden dowels previously set aside. Please ensure you are using the correct size variant for this step.

Wooden Dowel



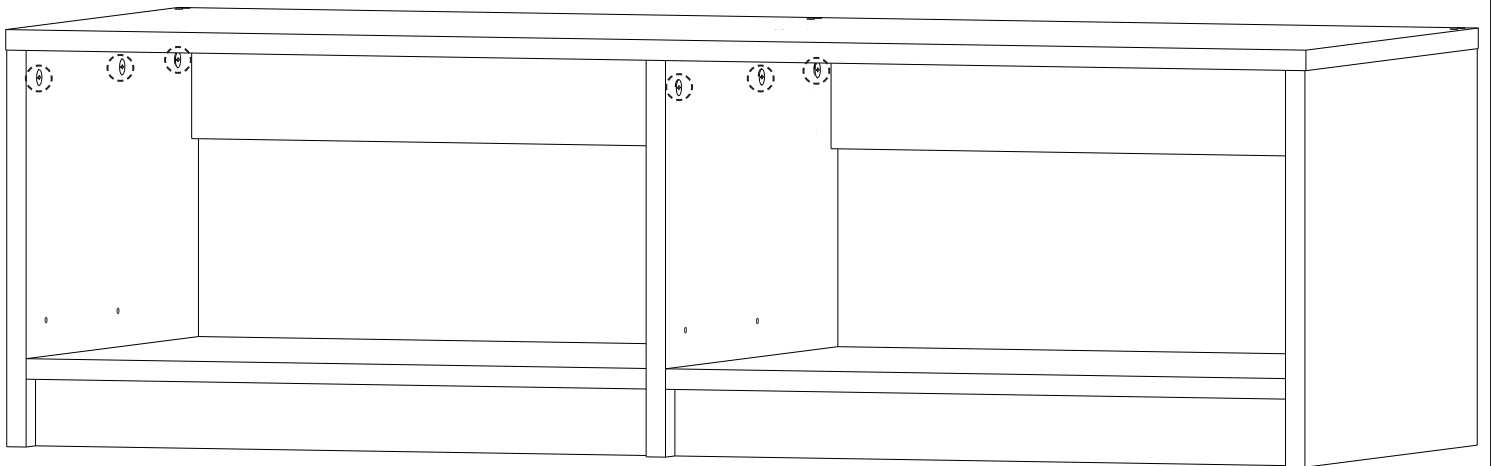
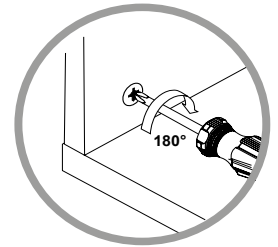
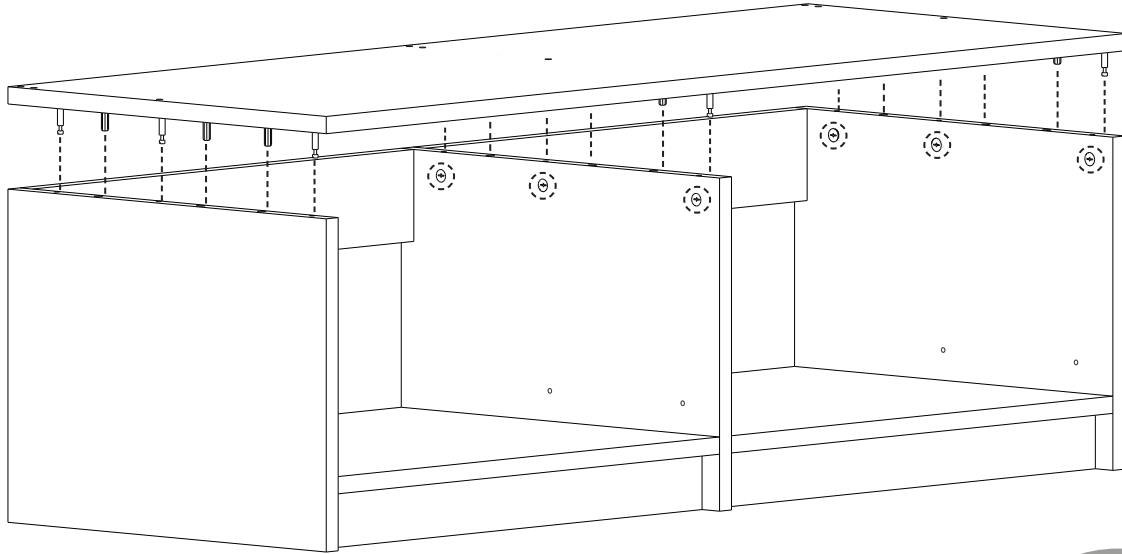
Campost



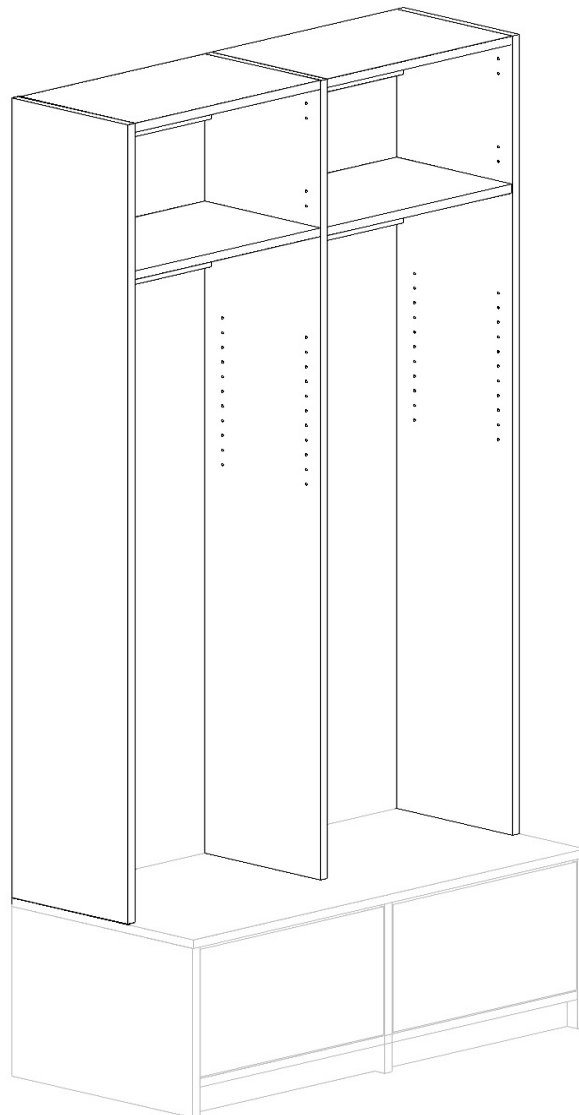


Step 14

Flip over and insert, then tighten the camlocks shown.



The upper shelves assembly will begin now

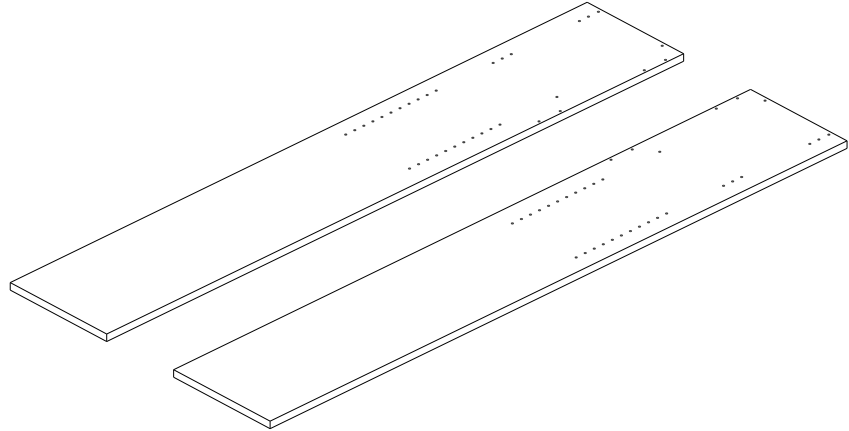




Boxes Needed

MDR-USP

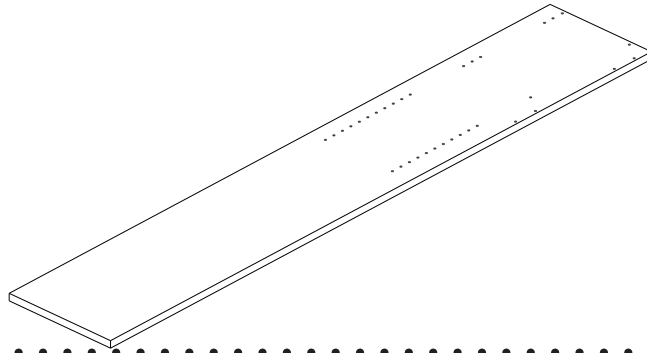
Mudroom Upper side panel pack



MDR-UCP

Mudroom Upper Center Panel Pack(1 or 2 Pack)

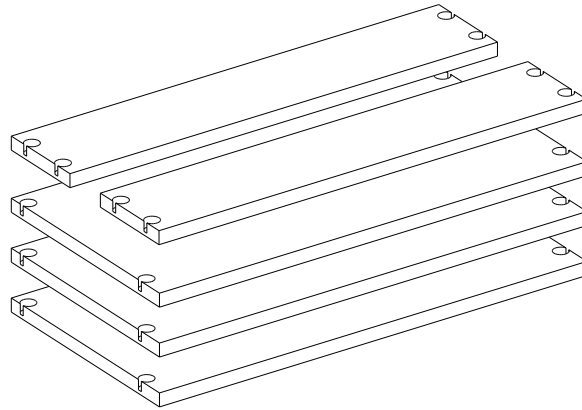
Single pack or double pack or both depending on mudroom size



MDR-UFS (19.5 / 25)

Mudroom Upper Shelf Pack-(19.5" / 25")

Single pack or double pack or both depending on mudroom size

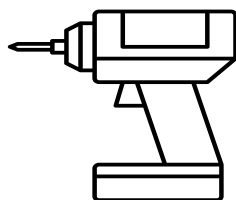


Tools needed

Rubber mallet



Drill



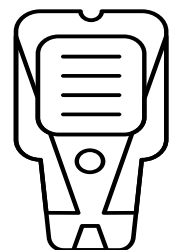
Level



Philips screw driver



Stud finder

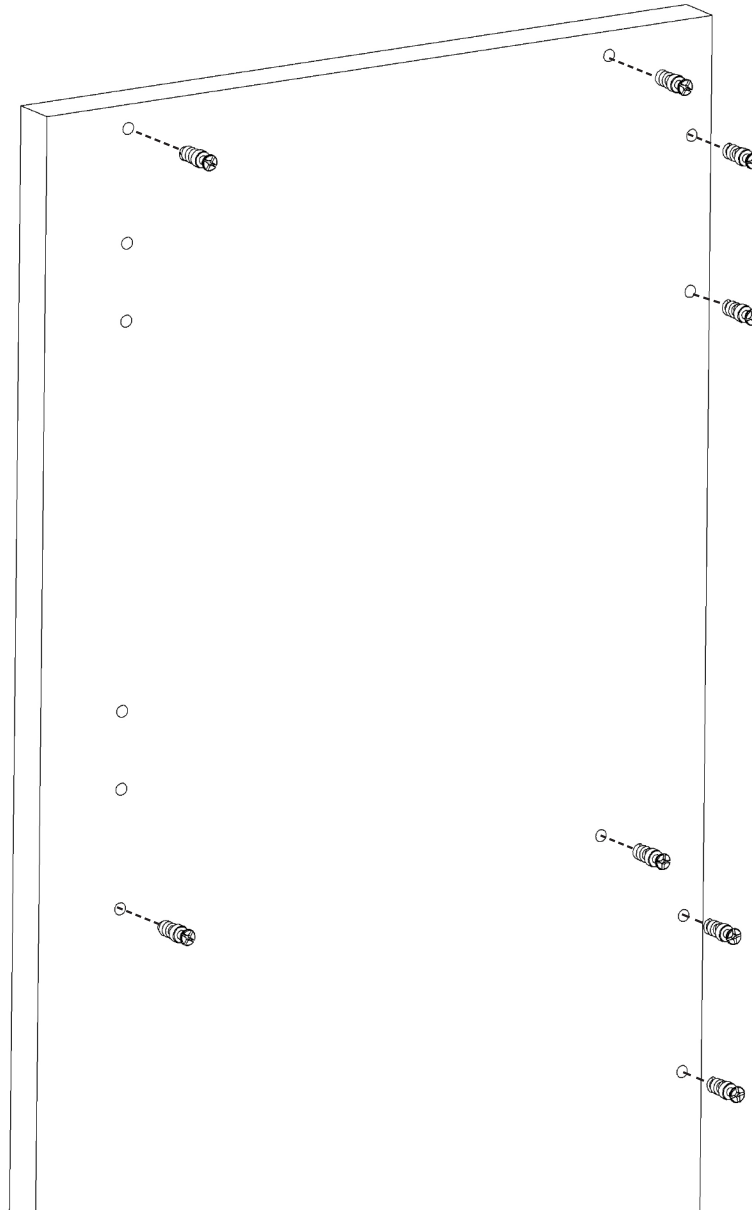
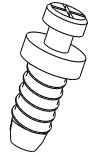


2 person assembly suggested

Step 1

Insert hardware into Side Panels and Center Panels. Use the screw dowel in the spots shown.

Screw Dowel

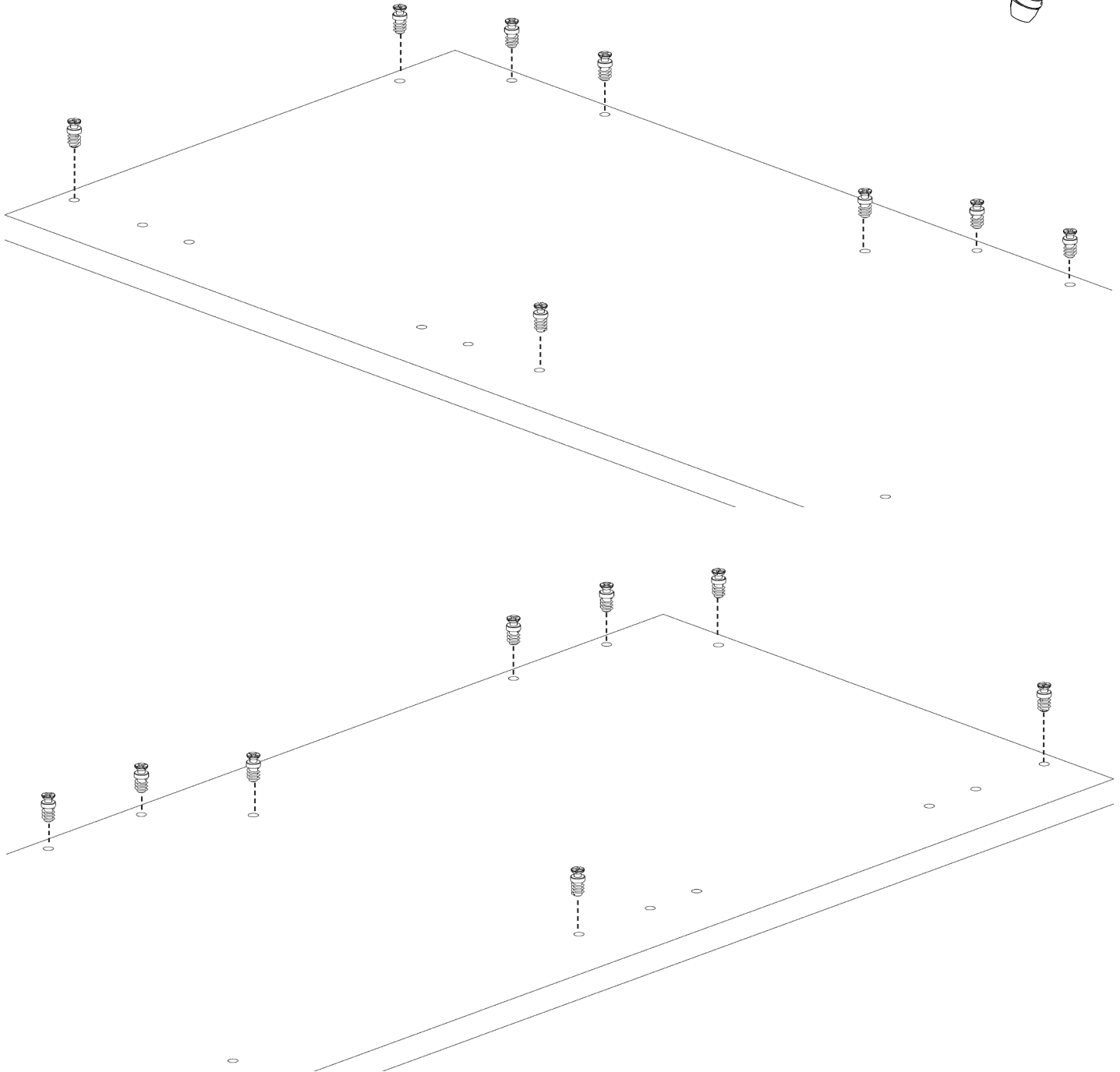
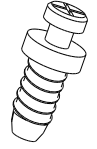




Step 1 (continued)

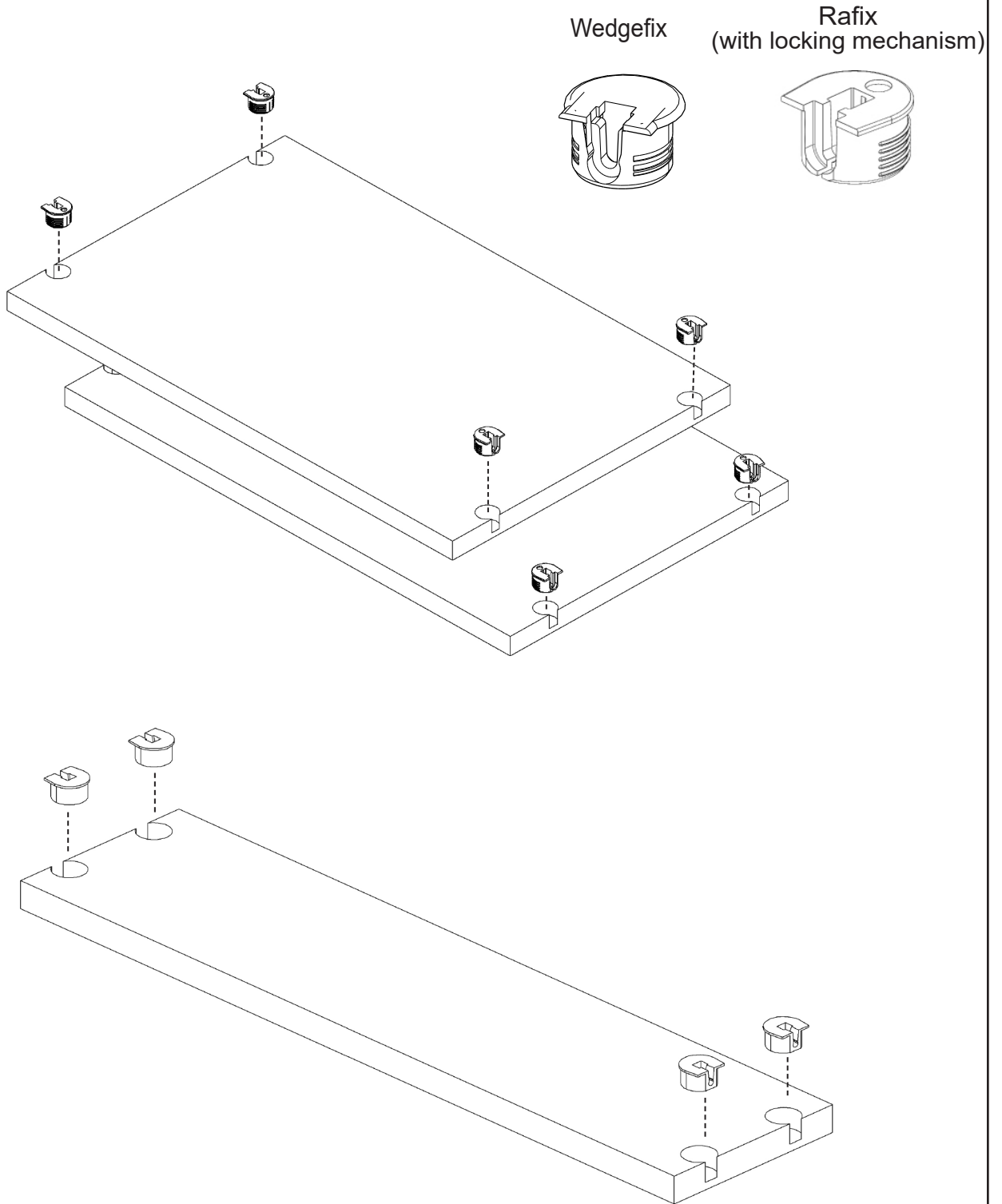
For Center Panels (if applicable), flip the panel over and insert the hardware into the corresponding spots.

Screw Dowel



Step 2

Insert rafix clips into a fixed shelf and wedgexes into a cleat. (Supplied third shelf will be used later as an adjustable shelf.)



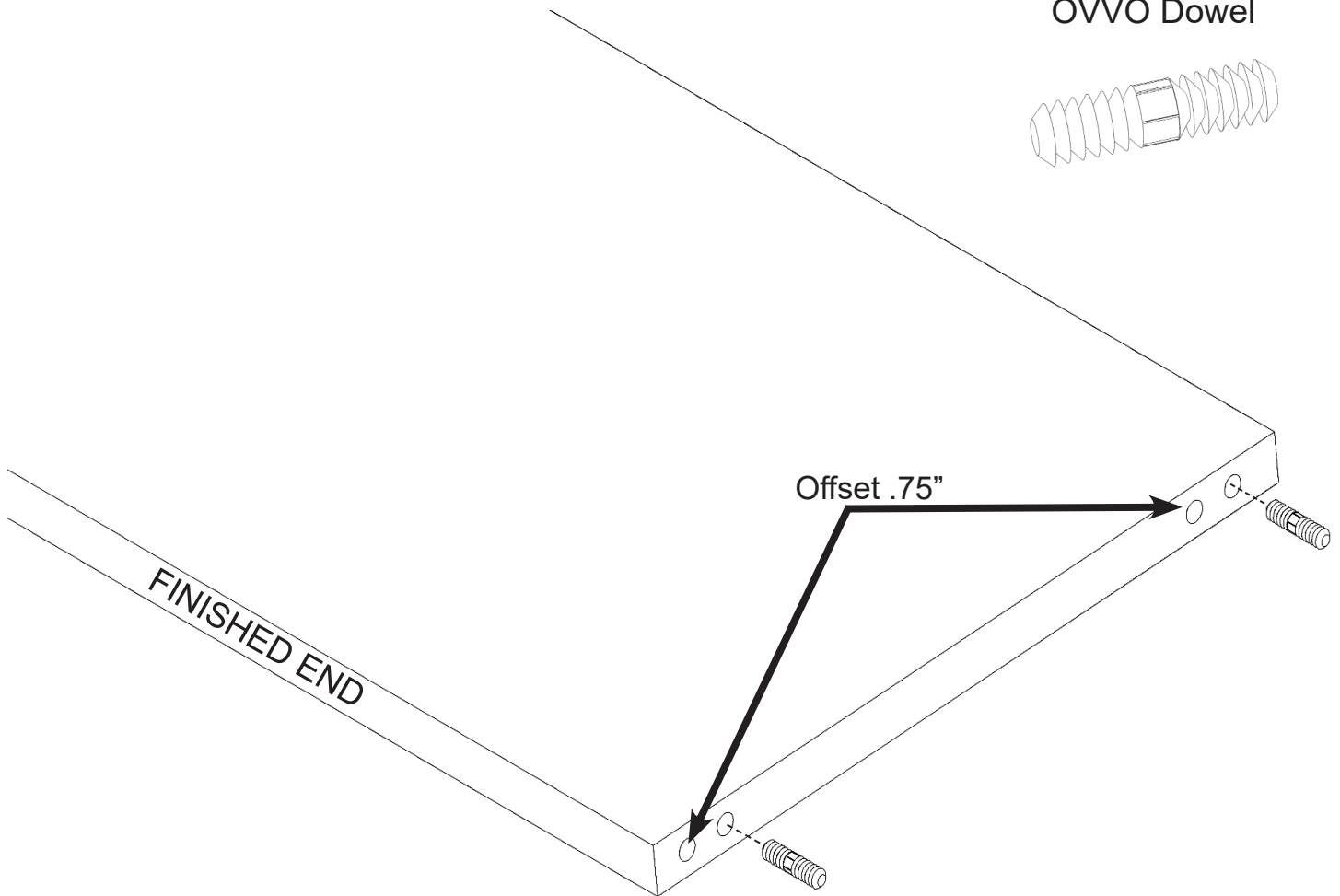
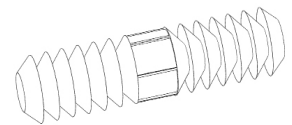


Step 3

Insert OVVO dowels into the appropriate bottoms of all side and center panels

Please note that the second set of pre-drilled dowel holes at the bottom of the panel can be used when offsetting the unit from the wall to account for standard baseboards

OVVO Dowel

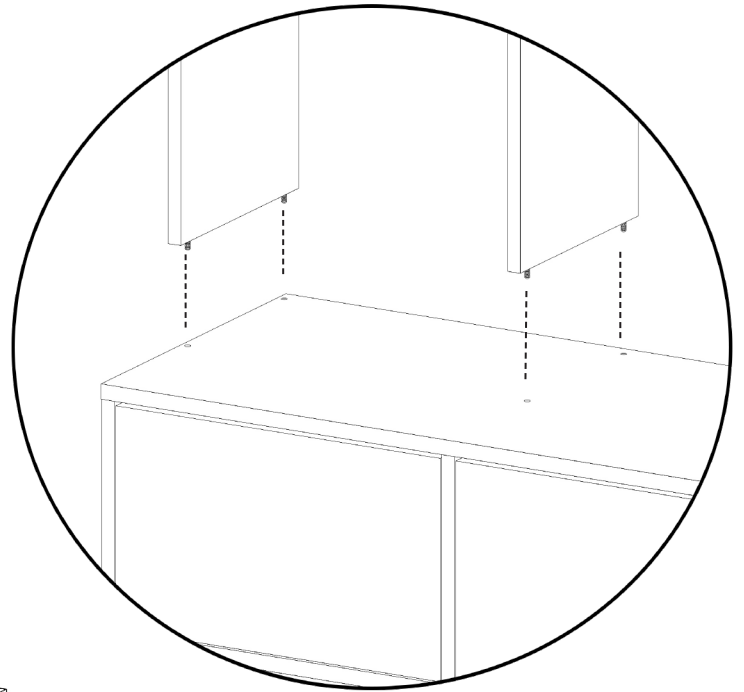
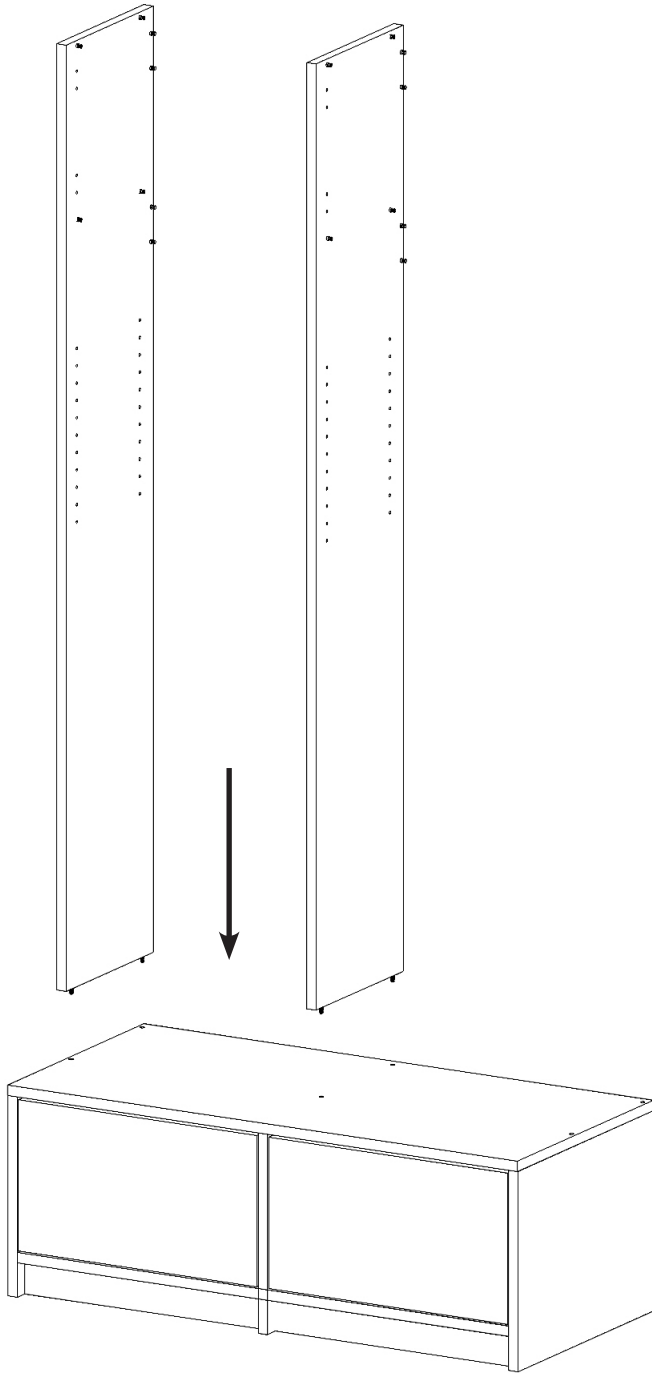


Step 4

Take one side panel and one side/center panel (if applicable) and insert them into the top of the previously assembled mudbench (at this point, two people are recommended to help keep the panels steady and upright).



2 Person
Recommended



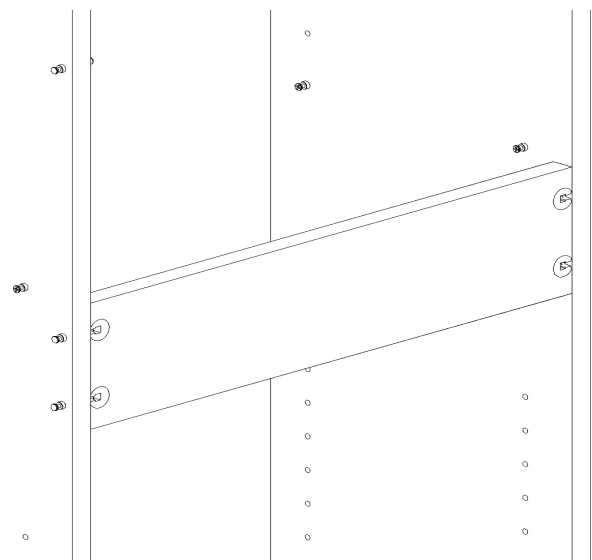
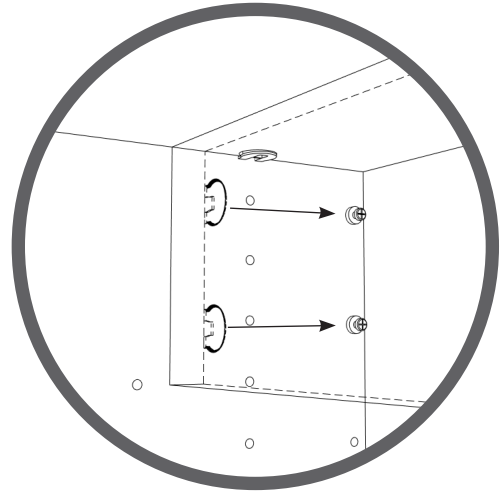
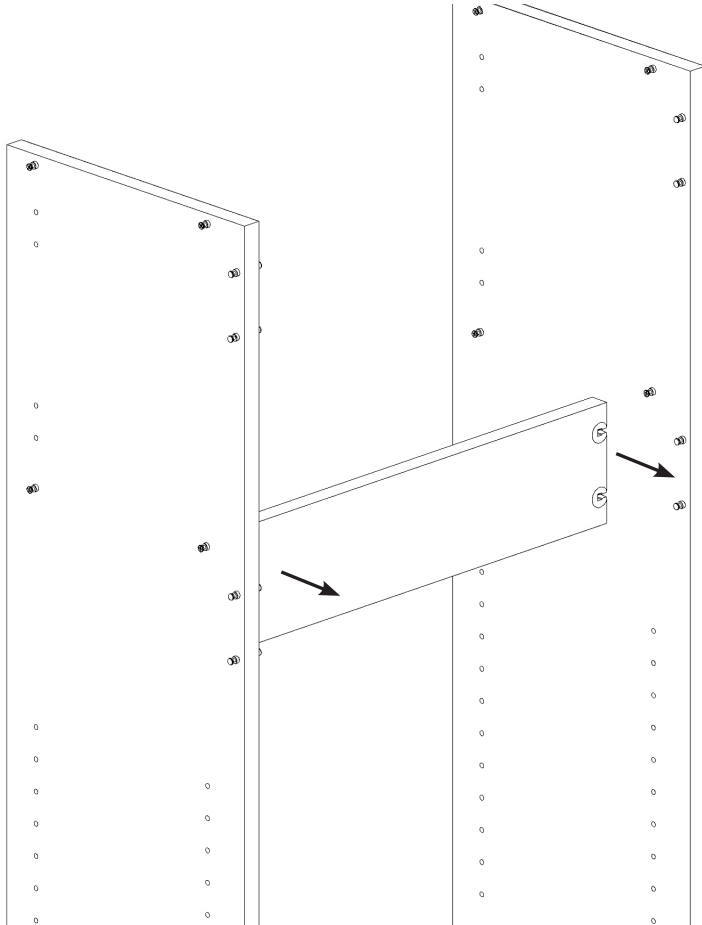


Step 5

Slide the cleat into the 4 lower screw dowels installed on the panels.



2 Person Recommended

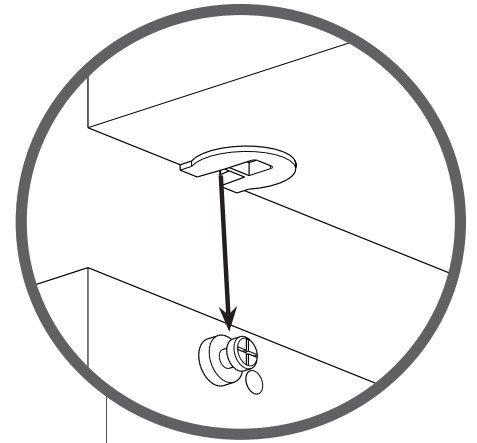
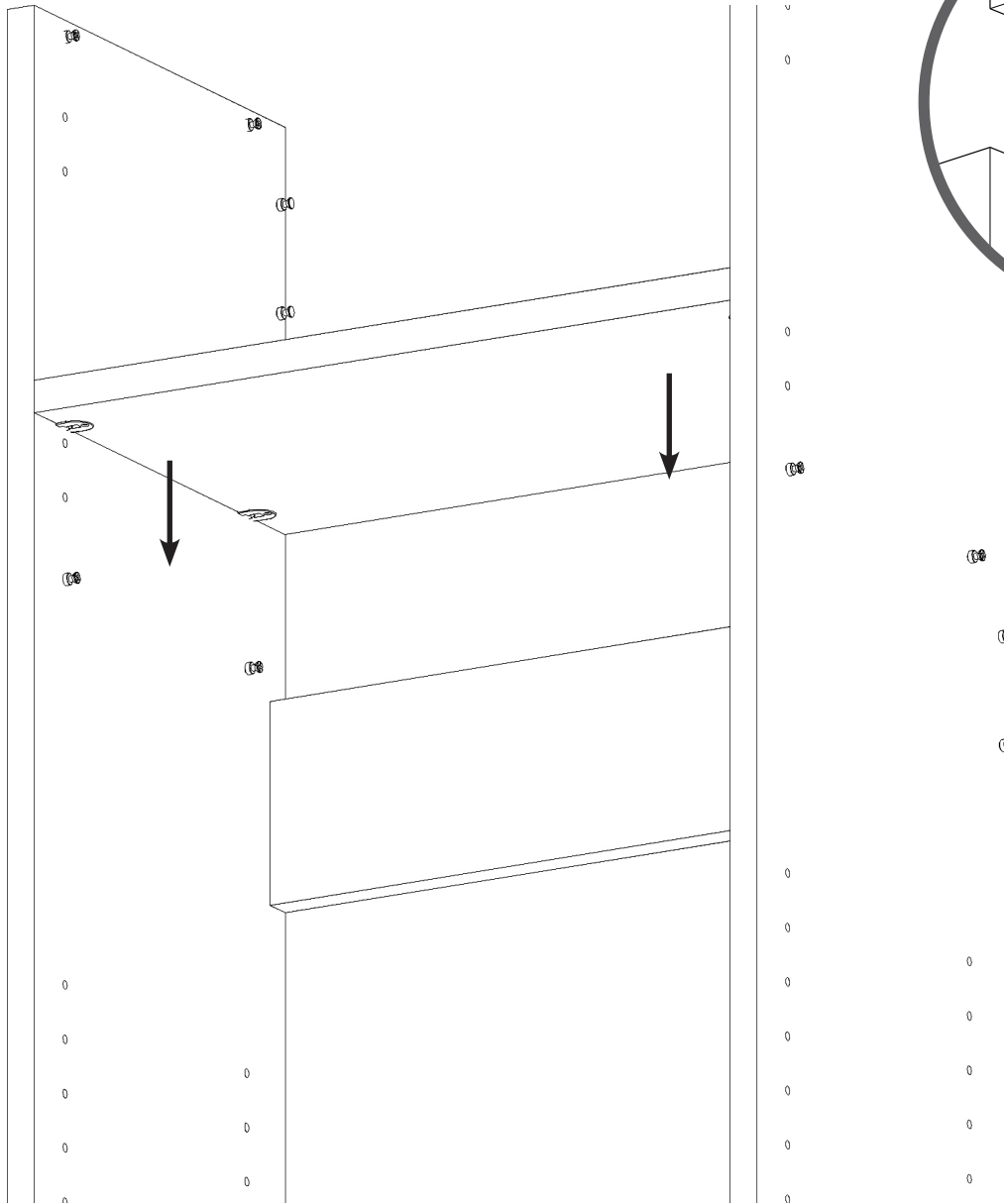




2 Person
Recommended

Step 6

Connect the fixed shelf above the four lower screw dowels directly above the cleat.



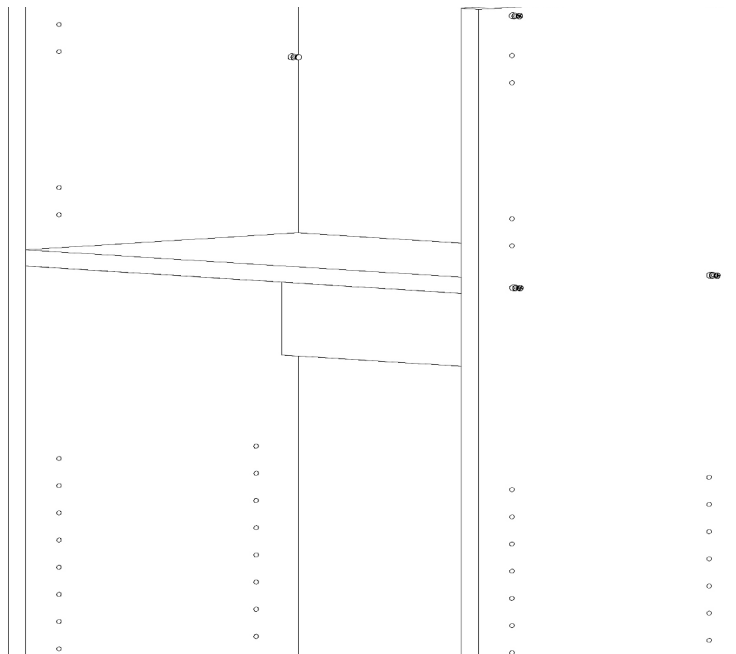
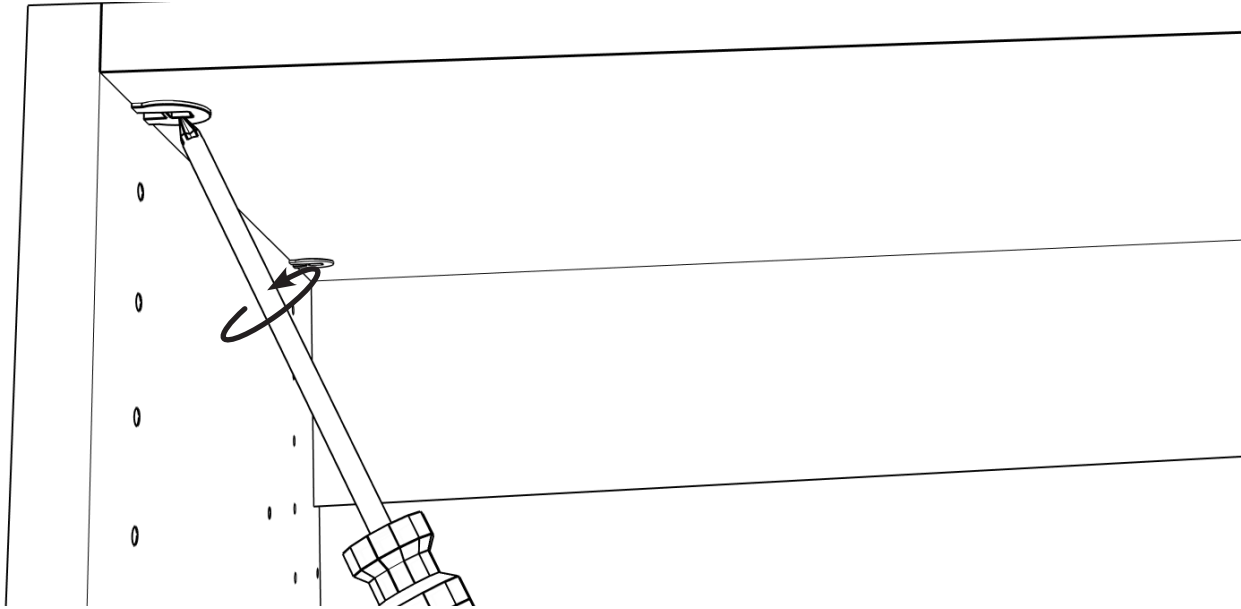


Step 7

Using a Philips screw driver, tighten and secure all 4 rafxes



2 Person Recommended



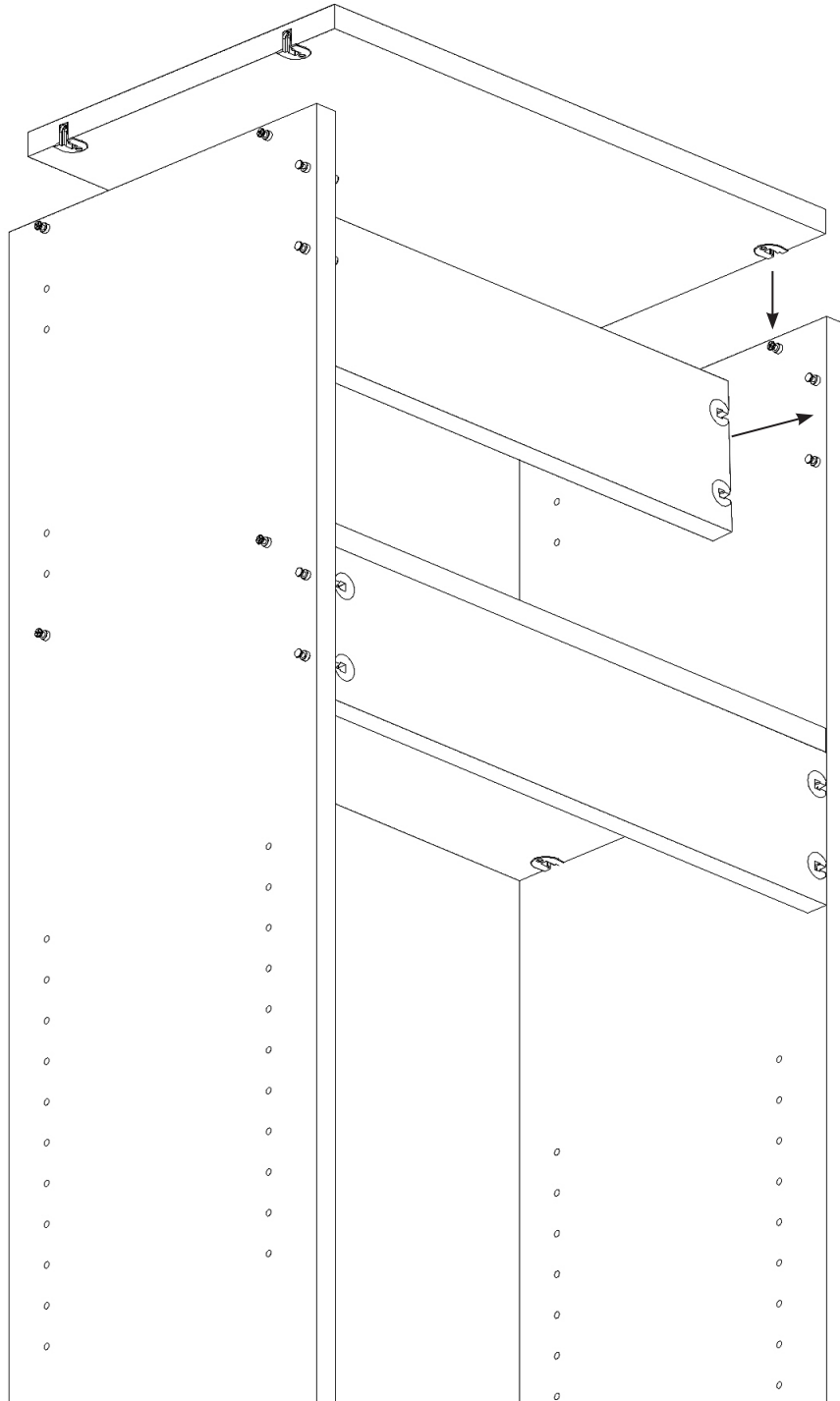


Step 8

Repeat steps 4-7 for the upper fixed shelf and cleat between the two side/center panels.



2 Person Recommended



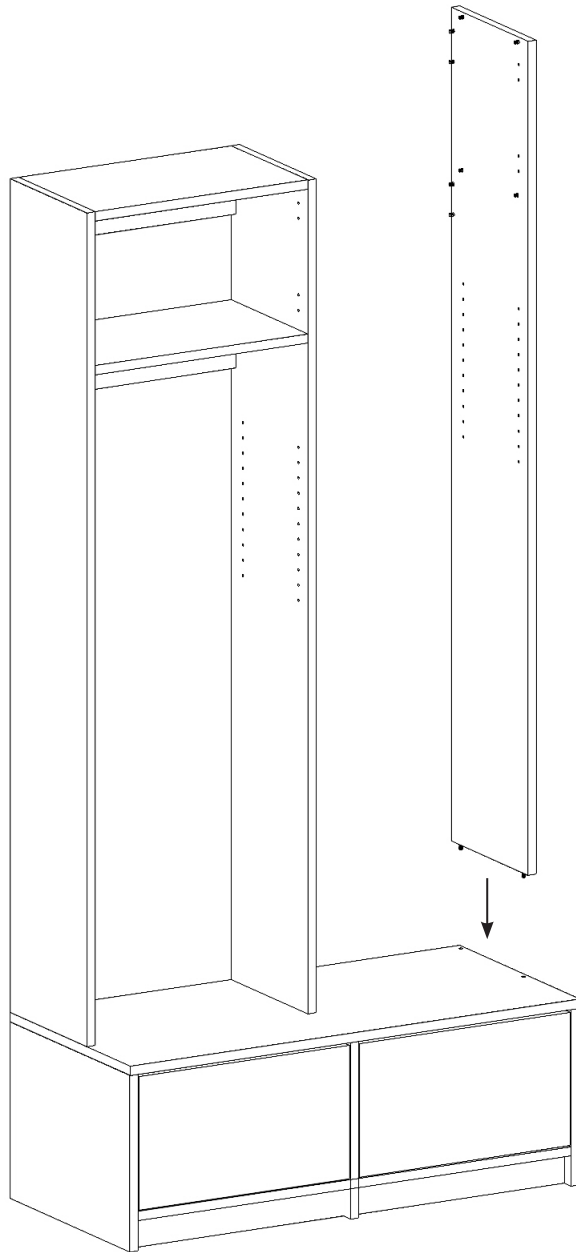


Step 9

Connect next center/side panel on top of the bench (all center panels should be used before the remaining side panel).

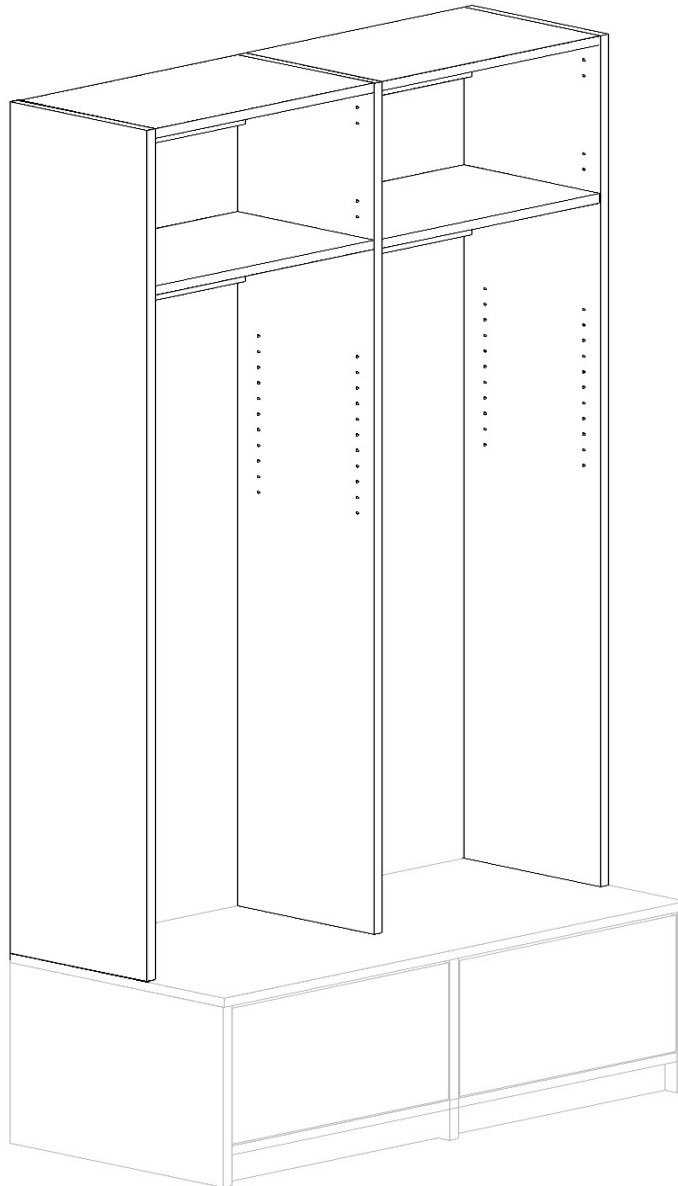


2 Person
Recommended

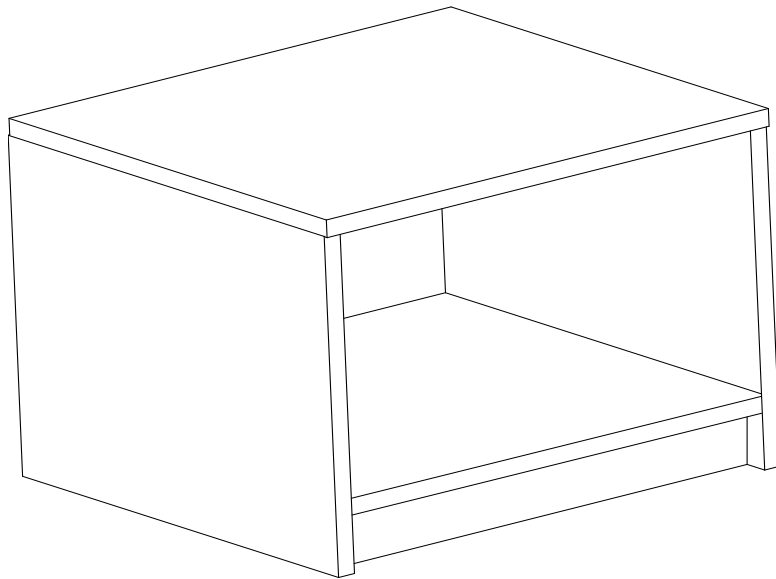


Step 10

Repeat steps 5-9 for all remaining sections.



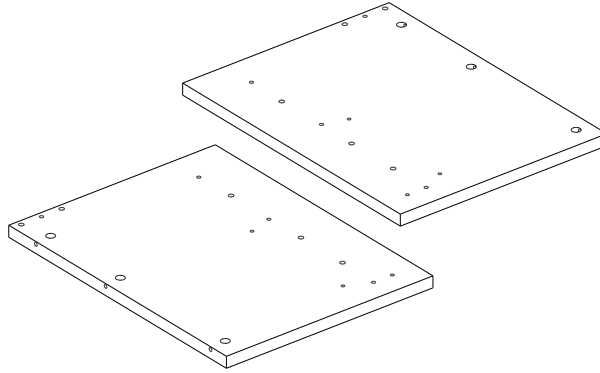
Single Bench



Boxes Needed

MDR-BSP

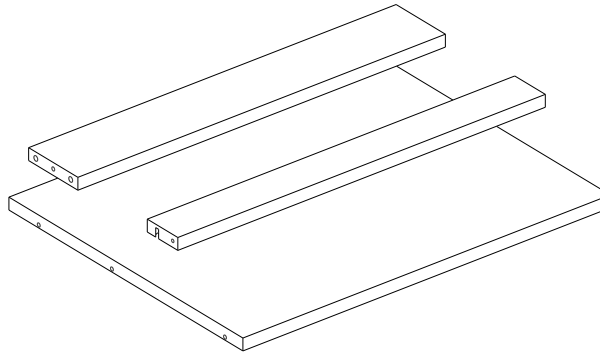
Mudroom bench side
panel pack



MDR-BFS

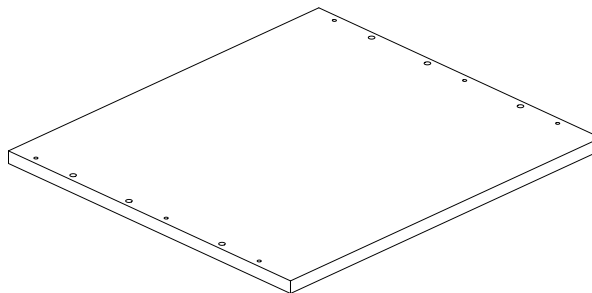
Mudroom Bench Shelf
Pack

Single pack



MDR-MBT (BTP)

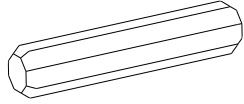
Mudroom Top



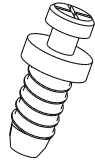


Hardware Pack Needed:
HRDP-BNCH1

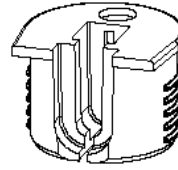
Wooden Dowel x6



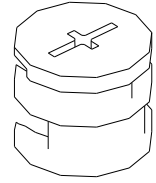
Screw Dowel
x4



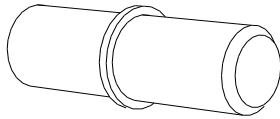
Rafix x2
(with locking mechanism)



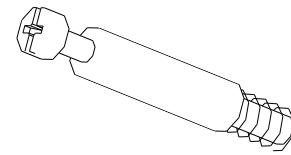
Camlock x14



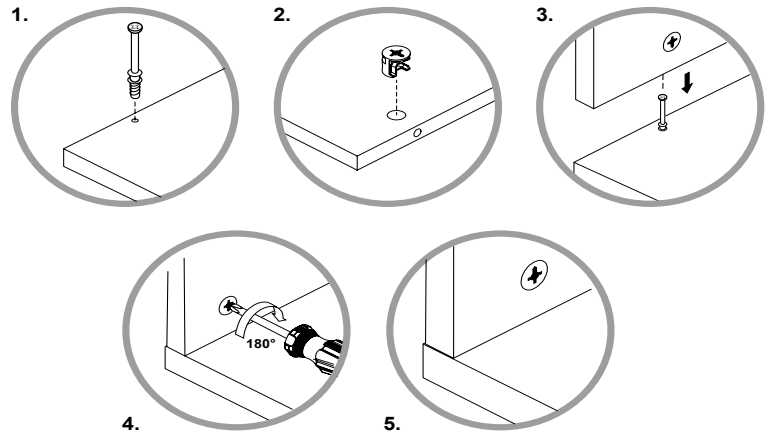
Shelf Pin
x2



Campost x14



How to use the
Cam lock system:

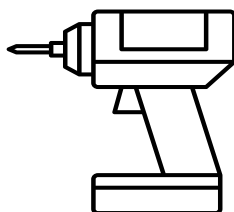


Tools needed

Rubber mallet



Drill



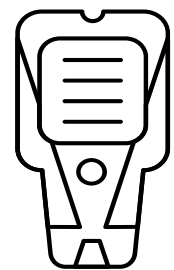
Level



Philips
screw
driver



Stud finder

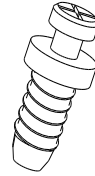


2 person assembly suggested

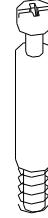
Step 1

From Box MDR-BSP take the bench side panels and insert the hardware as shown.

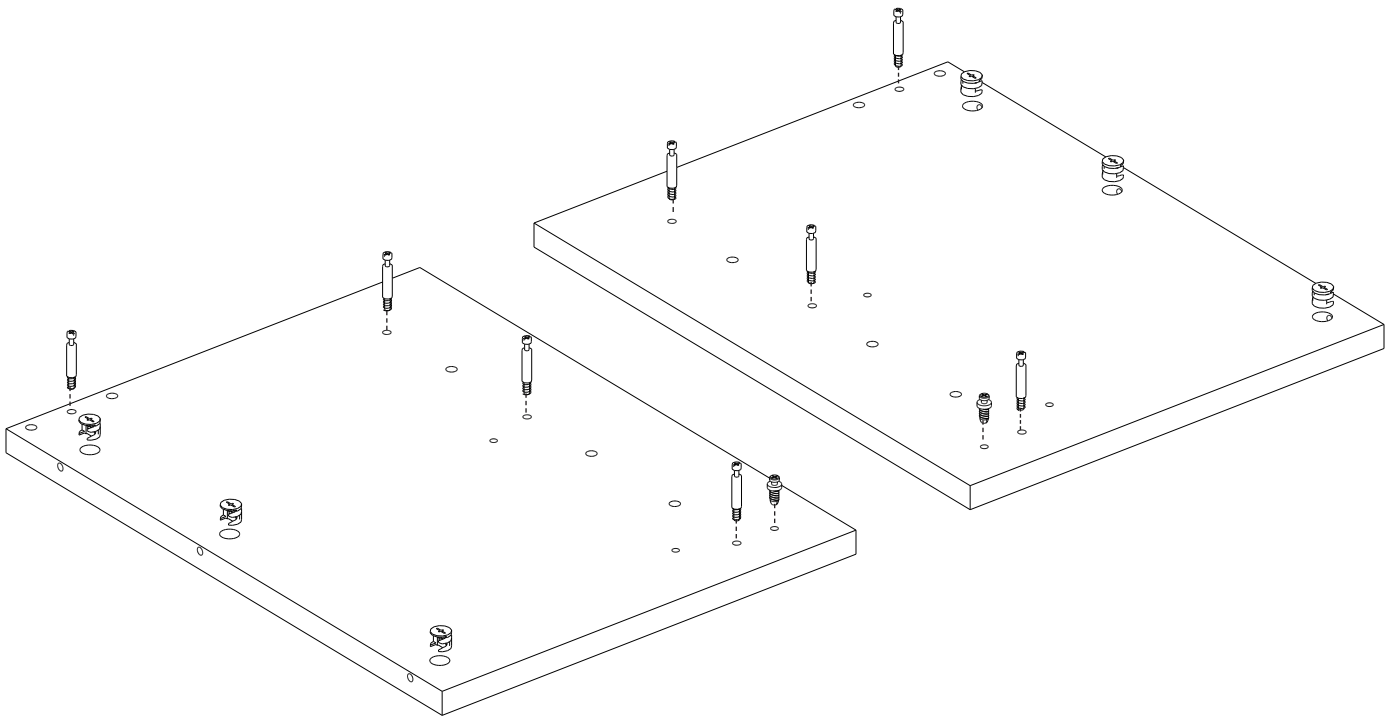
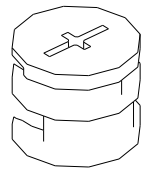
Screw Dowel



Campost



Camlock

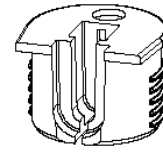




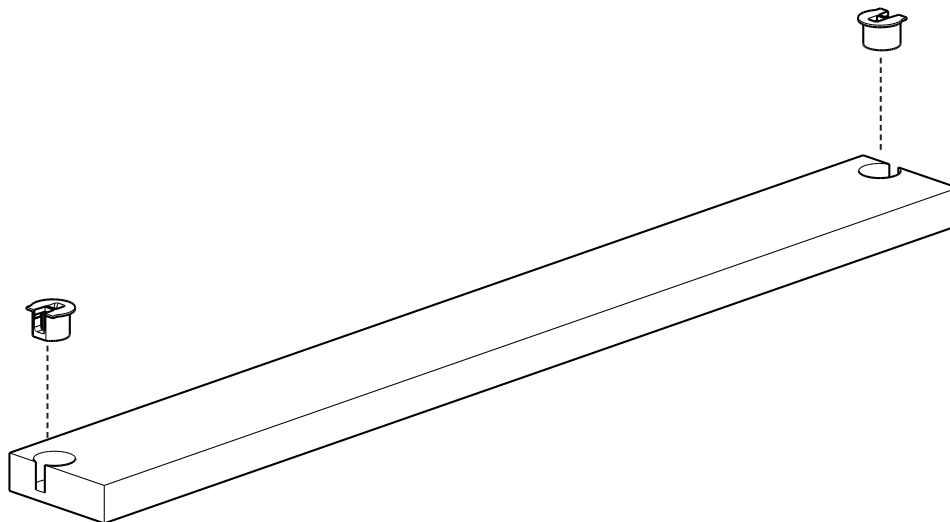
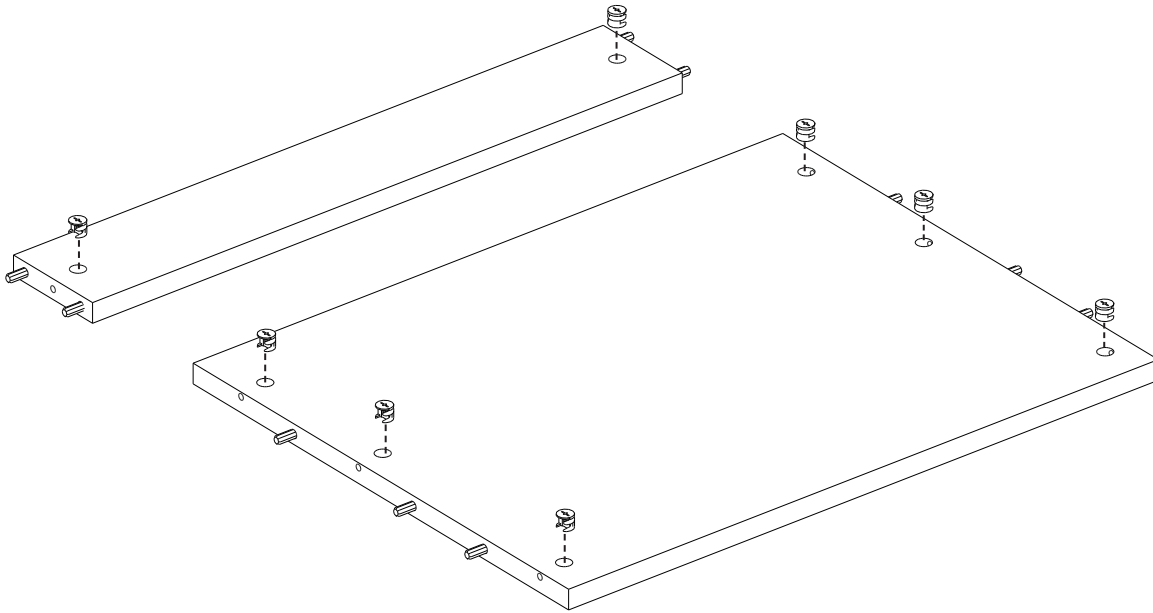
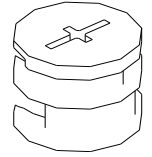
Step 2

From the box MDR-BFS, insert camlocks in to the shelves and cleats, and rafixes into the toekicks.

Rafix



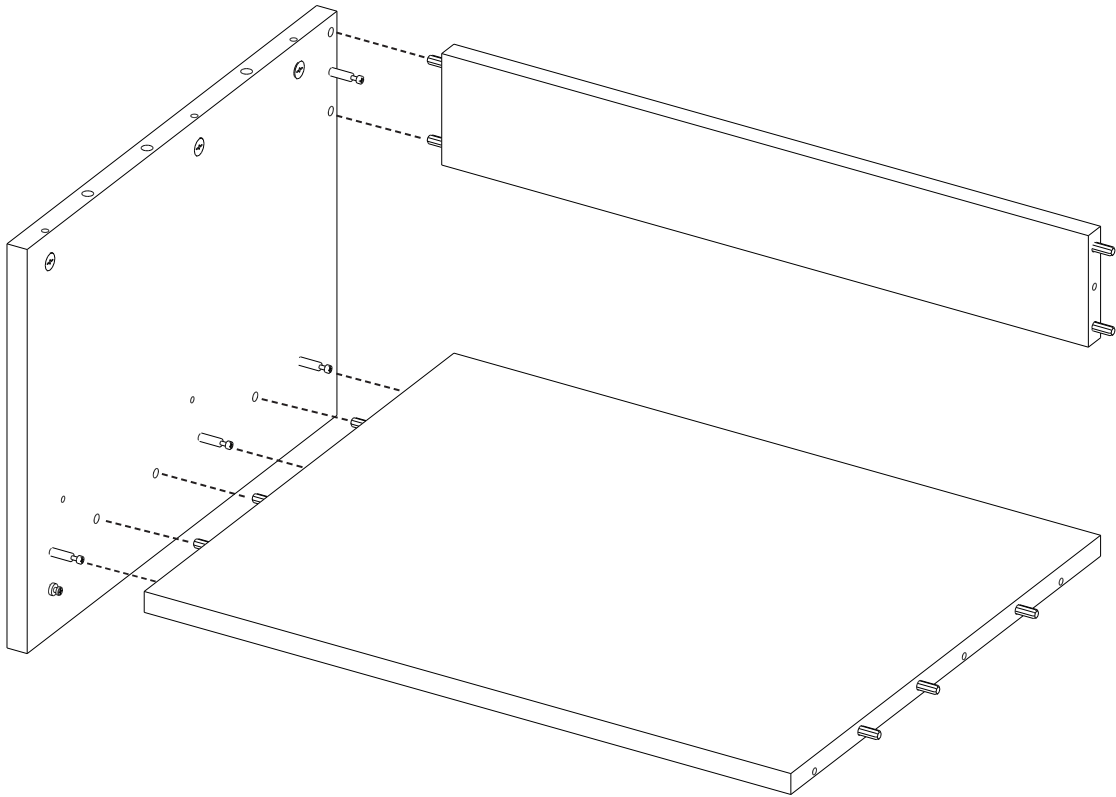
Camlock



**Repeat Steps 2-3 for all the Mudroom
Bench Shelf packs**

Step 3

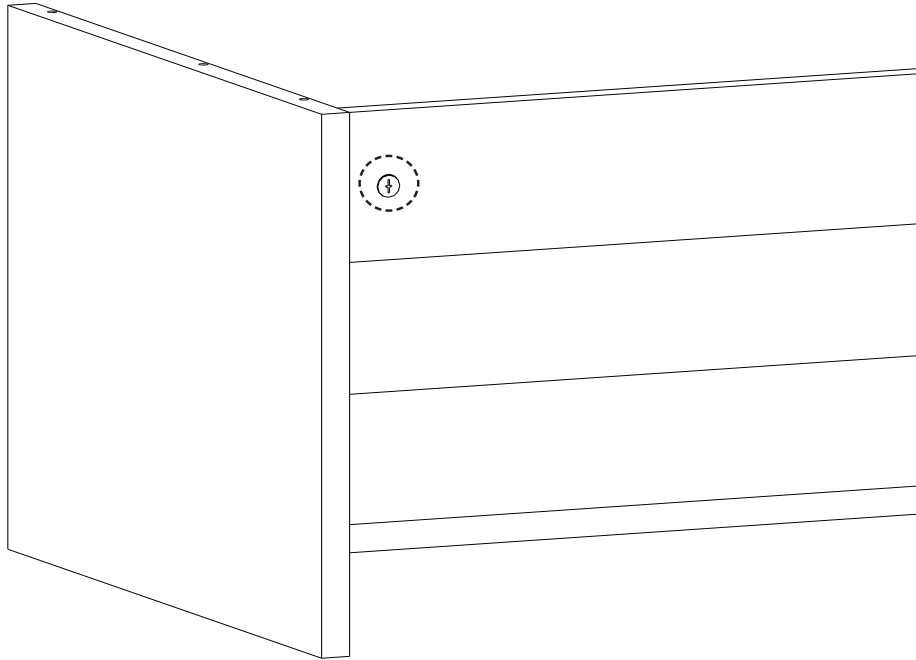
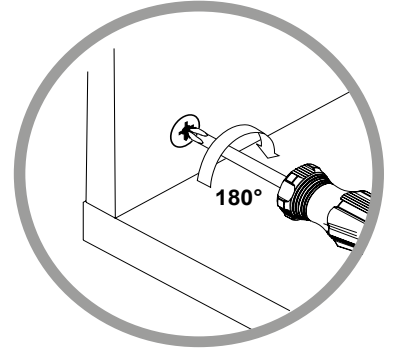
Connect the cleats and shelves to the left side panel.





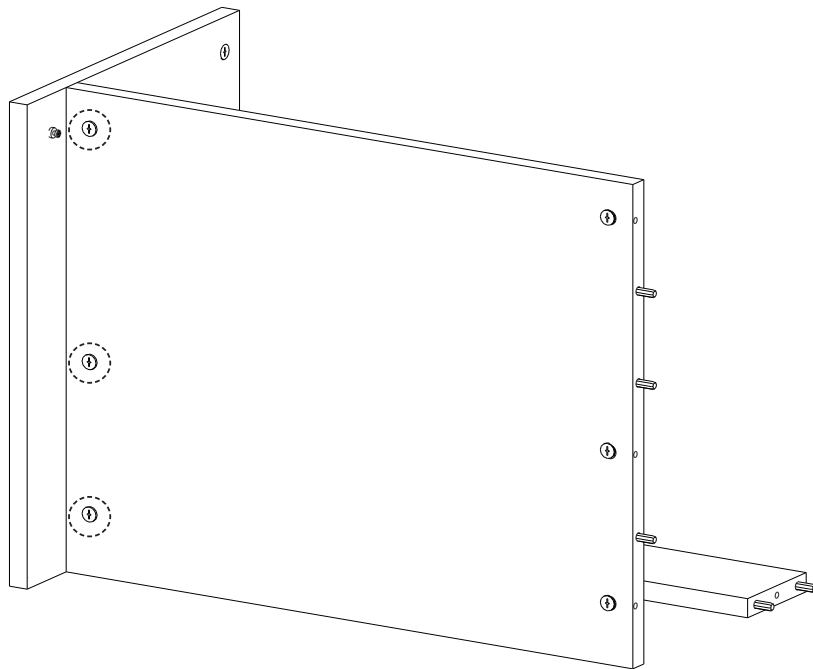
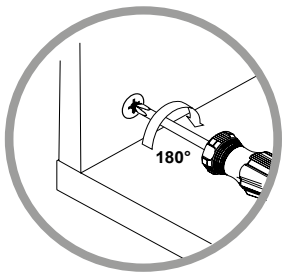
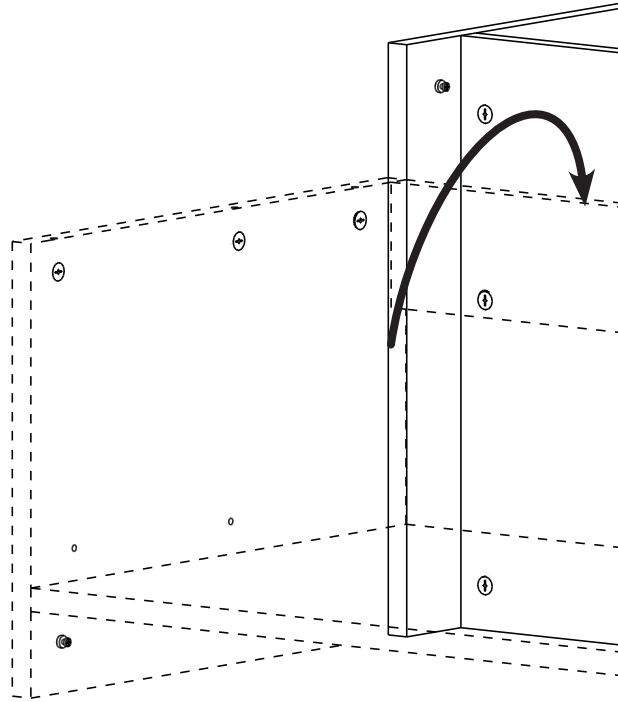
Step 4

Tighten the camlock from the back of the unit.



Step 5

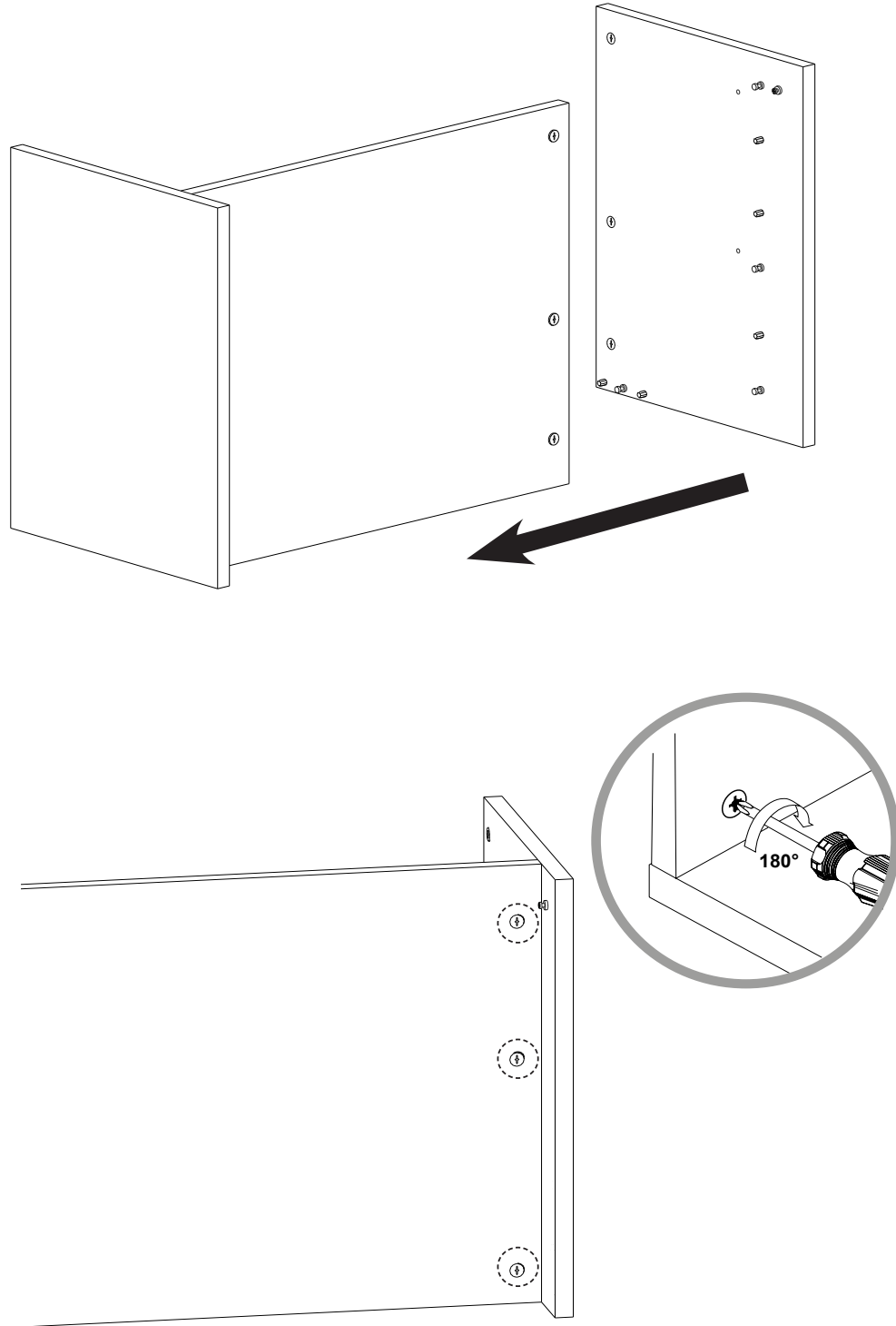
Carefully, flip the unit to the side and tighten the camlocks on the underside. (We recommend you line your floor to prevent scratches.)





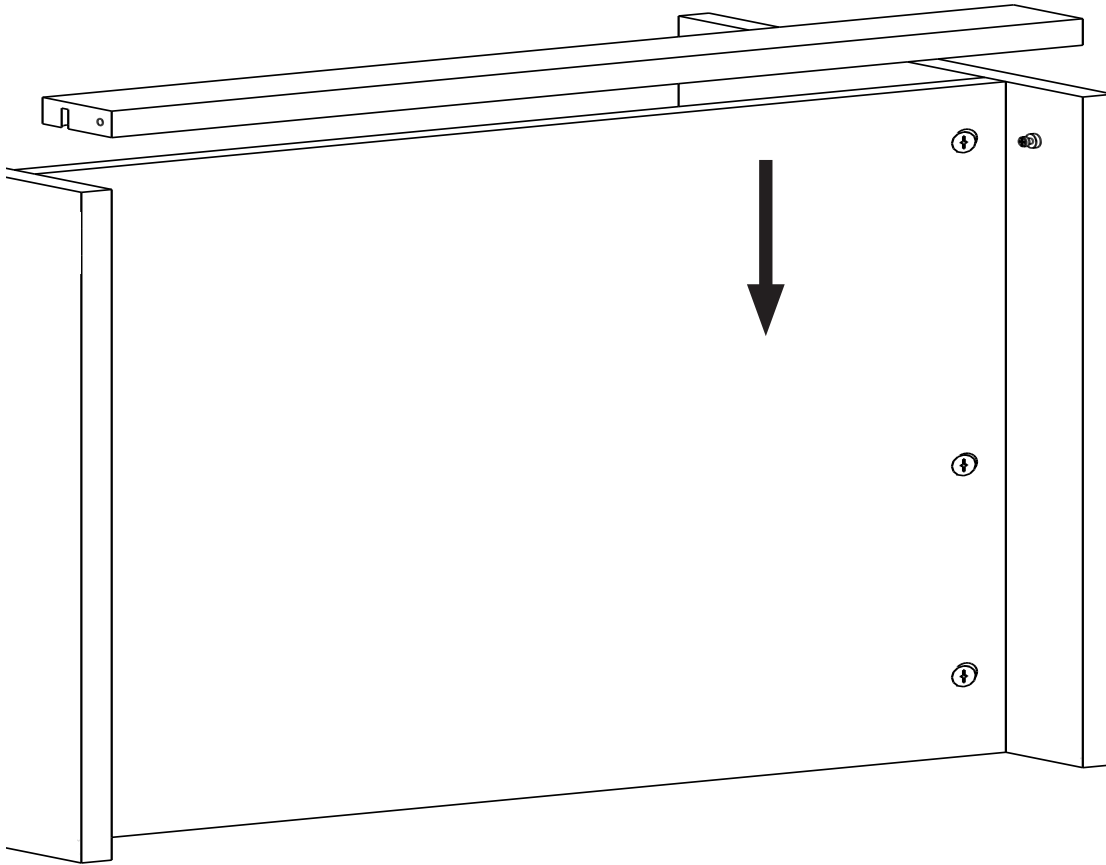
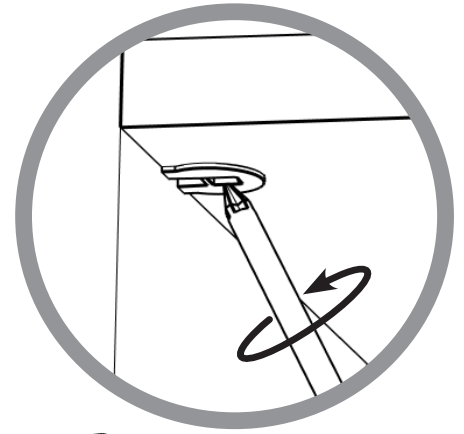
Step 6

Connect the right side panel and tighten the camlocks.



Step 7

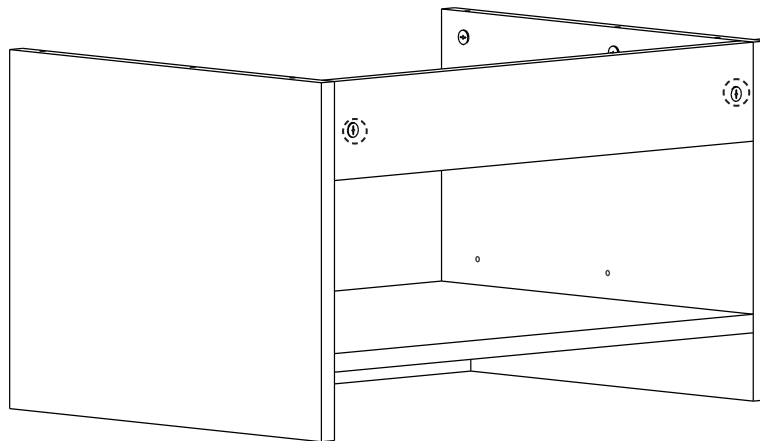
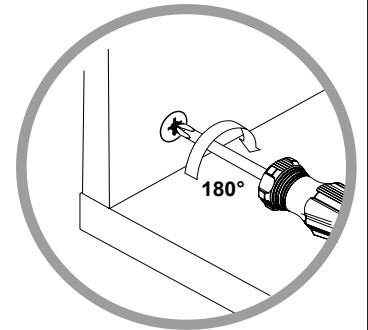
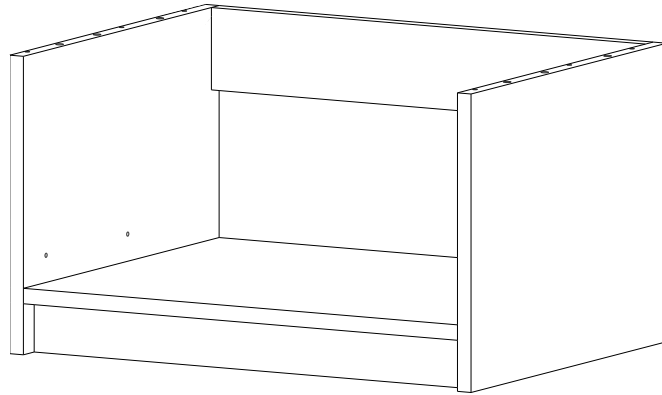
Connect the toe kicks to the screw dowels, then tighten the rafixes shown.





Step 12

Very carefully, flip the unit back upright and then tighten the camlocks for the cleats in the back



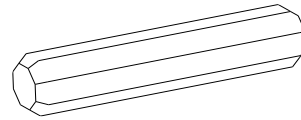
Step 13

Insert the hardware into the bench top

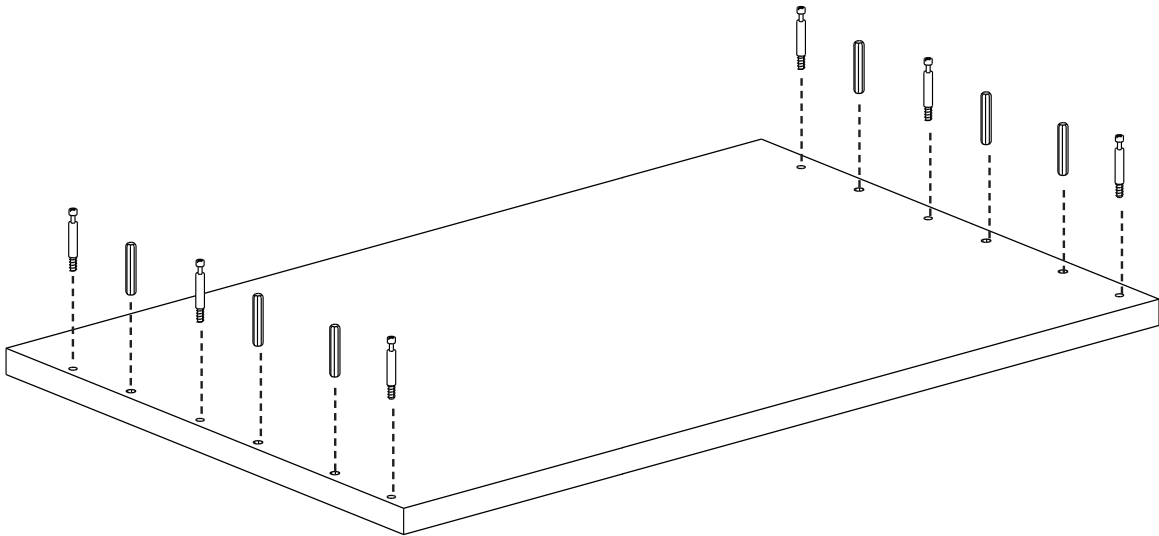


This step requires the 'shorter' wooden dowels previously set aside. Please ensure you are using the correct size variant for this step.

Wooden Dowel



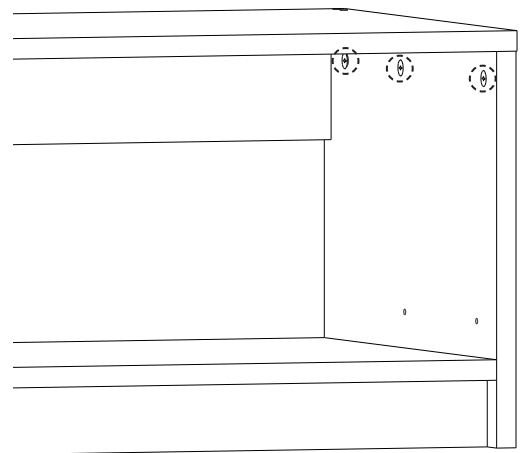
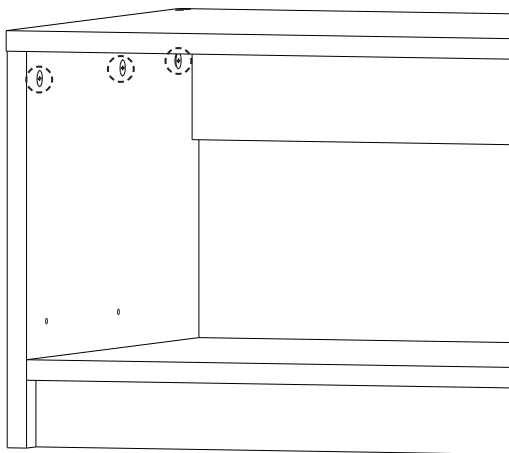
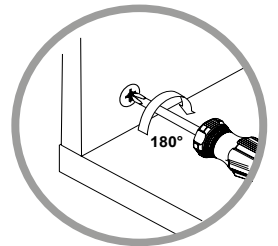
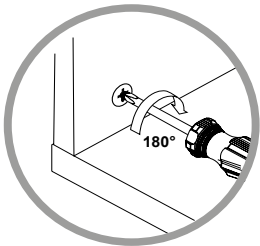
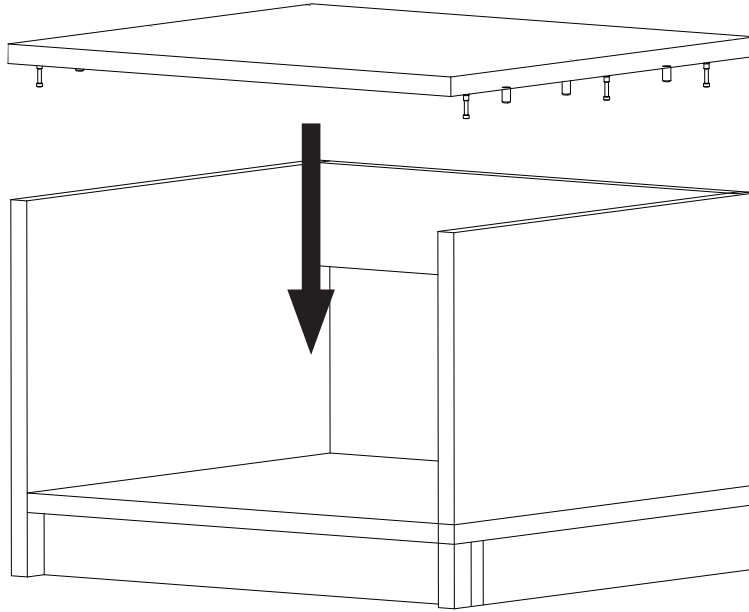
Campost



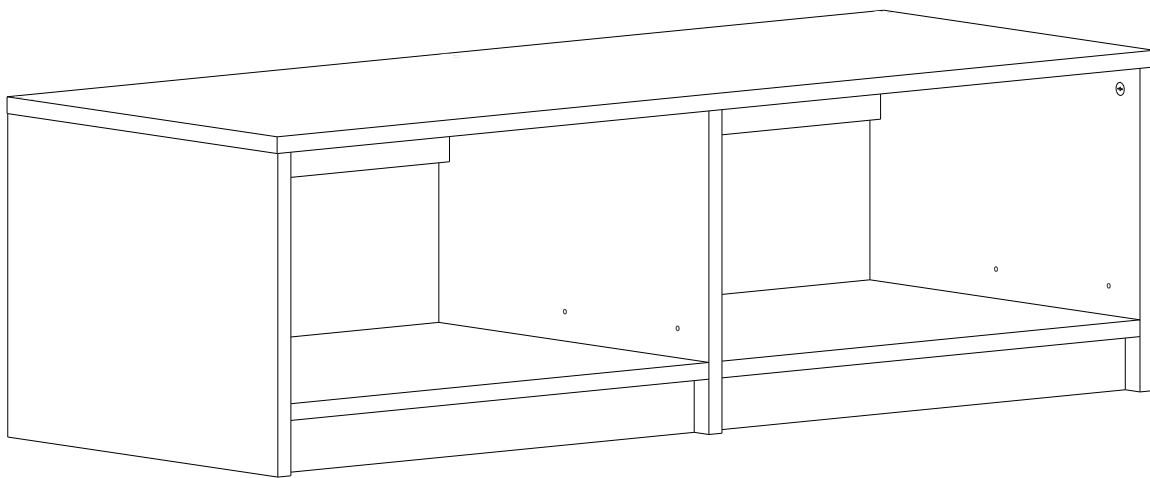


Step 14

Flip over and insert, then tighten the camlocks shown.



Double Mudroom Bench

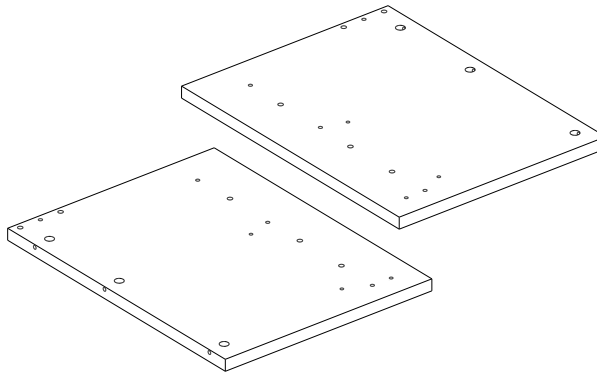




Boxes Needed

MDR-BSP

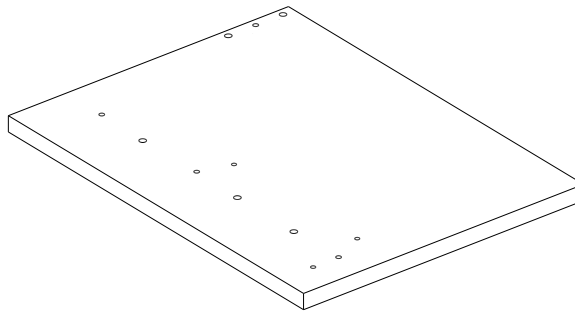
Mudroom bench side panel pack



MDR-BCP

Mudroom Bench Center Panel Pack
(1 or 2 Pack)

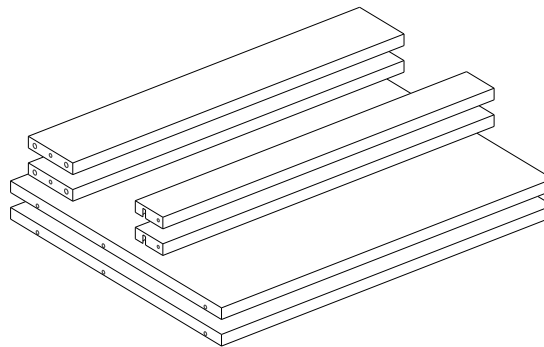
Single pack or double pack or both depending on mudroom size



MDR-BFS

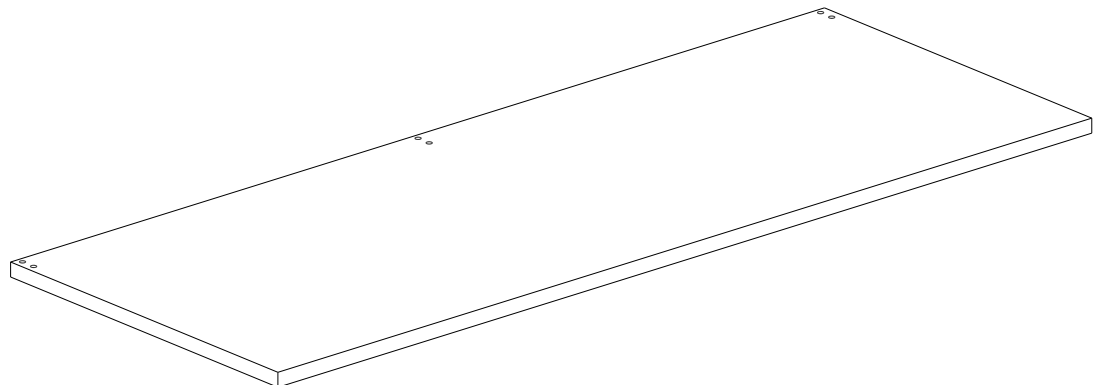
Mudroom Bench Shelf Pack

Single pack or double pack or both depending on mudroom size



MDR-MBT (BTP)

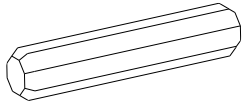
Mudroom Top





Hardware Packs Needed:
HRDP-BNCH1
HRDP-BNCH2

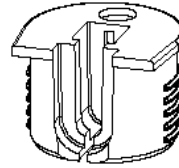
Wooden Dowel x6



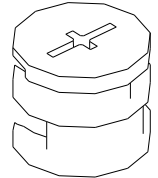
Screw Dowel x4



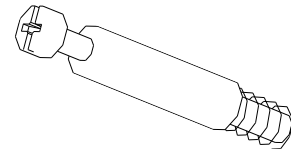
Rafix x2
(with locking mechanism)



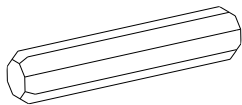
Camlock x14



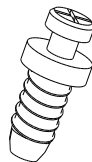
Campost x14



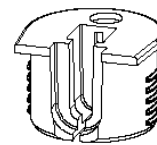
Wooden Dowel x3



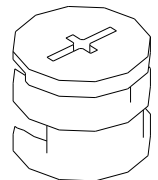
Screw Dowel x4



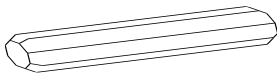
Rafix x2
(with locking mechanism)



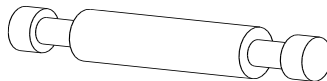
Camlock x11



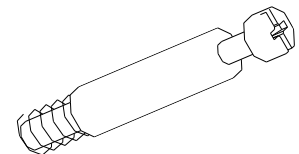
**Wooden Dowel
50mm x5**

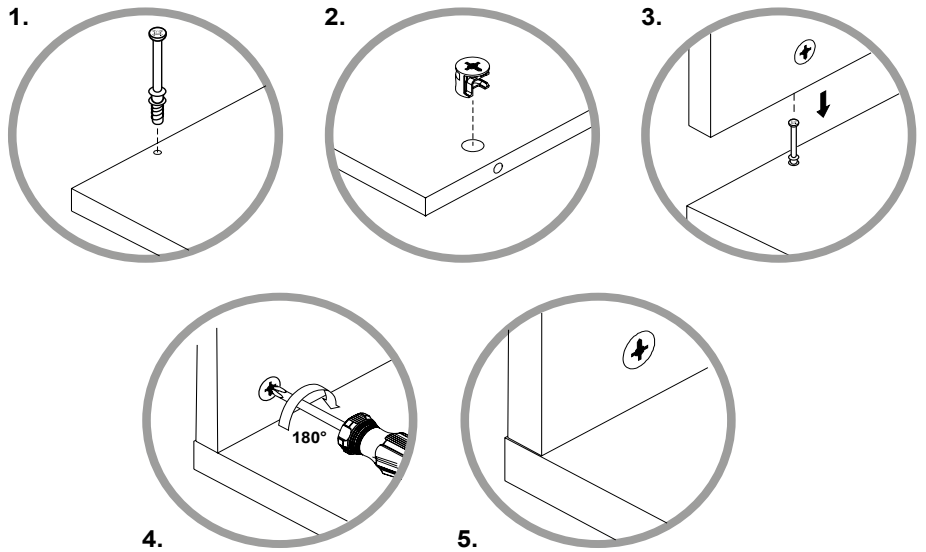


**Double Campost
x4**



Campost x3





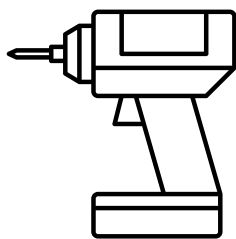
How to use the Cam lock system:

Tools needed

Rubber mallet



Drill



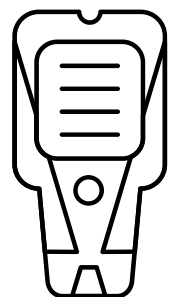
Level



Philips screw driver



Stud finder

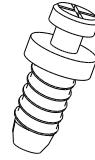


2 person assembly suggested

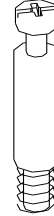
Step 1

From Box MDR-BSP take the bench side panels and insert the hardware as shown.

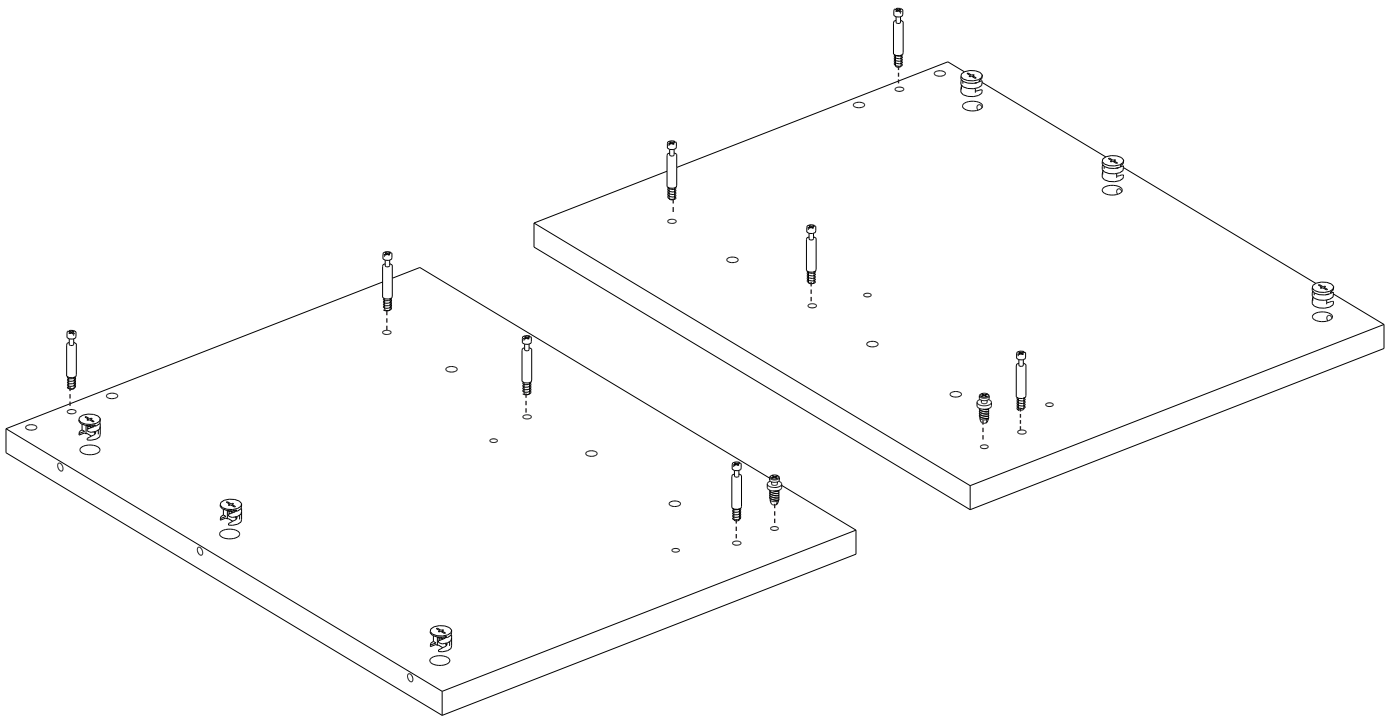
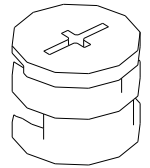
Screw Dowel



Campost



Camlock



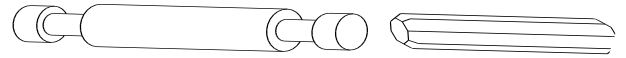


Step 2

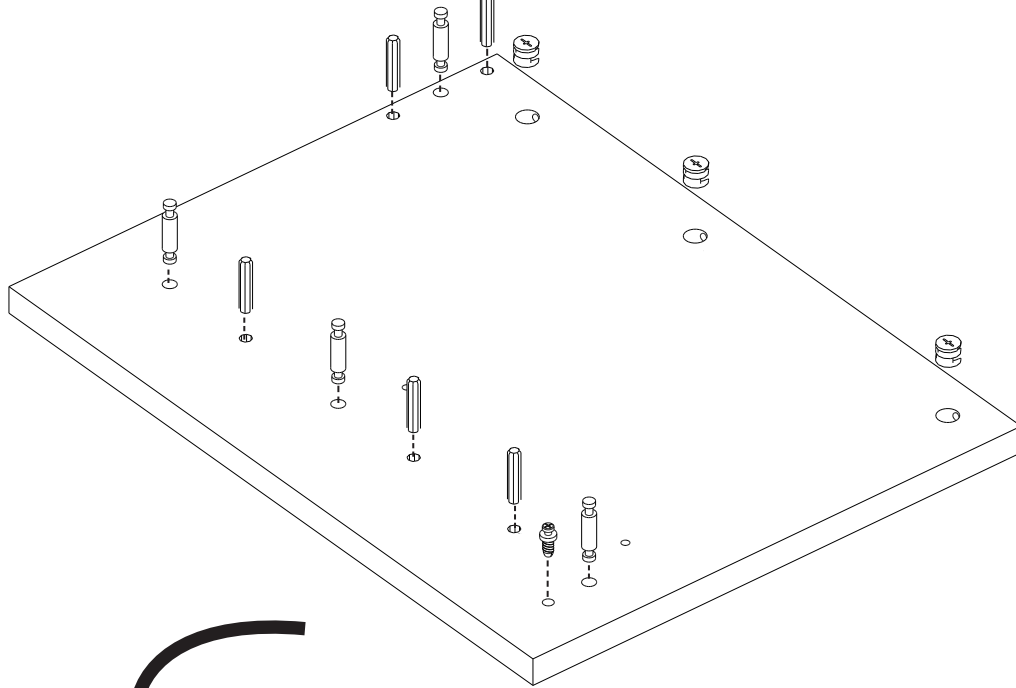
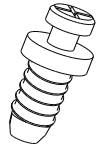
For all center panels in boxes MDR-BCP insert the double camposts and longer wood dowels until about halfway. Insert the screw dowel. Flip over and insert second screw dowel.

Double Campost

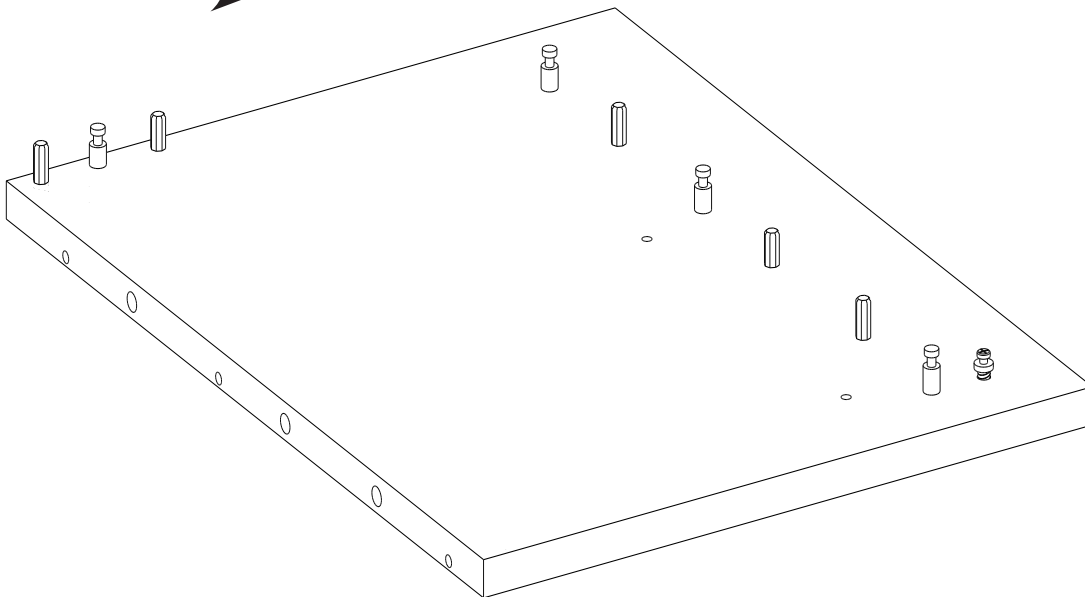
Long Wooden Dowel



Screw dowel



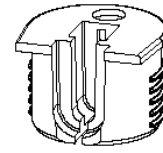
Please ensure to measure both supplied wooden dowels against each other to make sure you are using the correct 'longer' variant here. Please mark and set aside the shorter dowels for a future step.



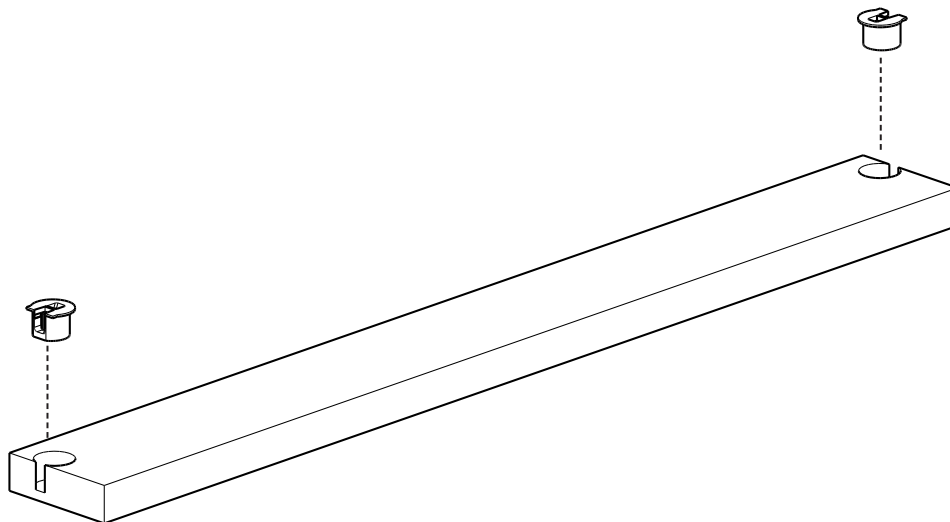
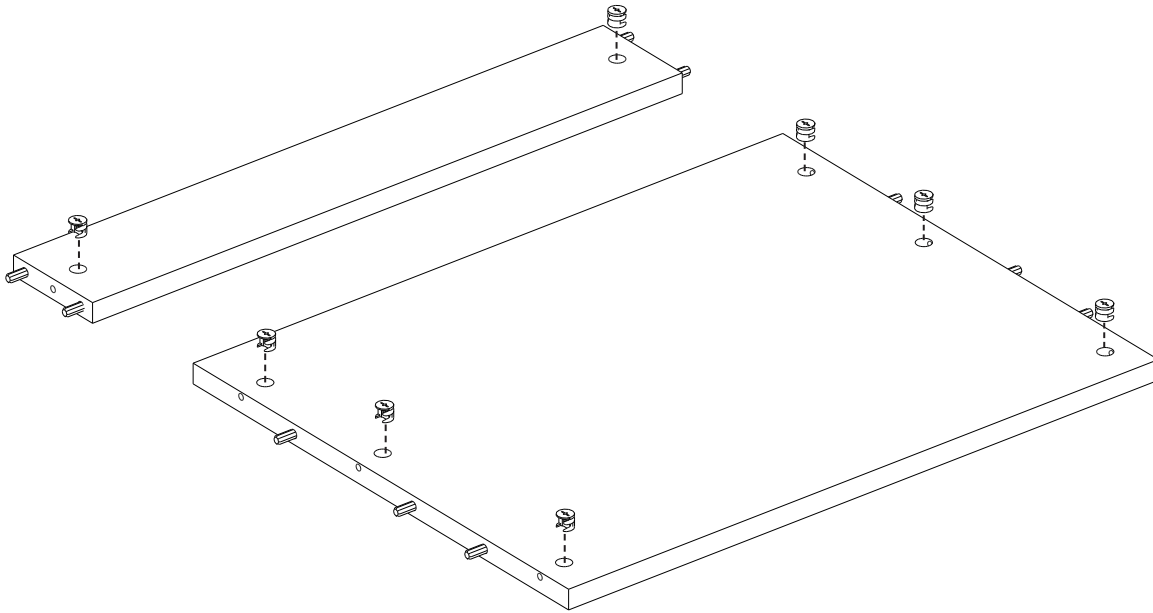
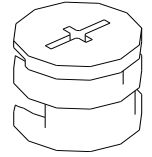
Step 3

From the box MDR-BFS, insert camlocks in to the shelves and cleats, and rafixes into the toekicks.

Rafix



Camlock

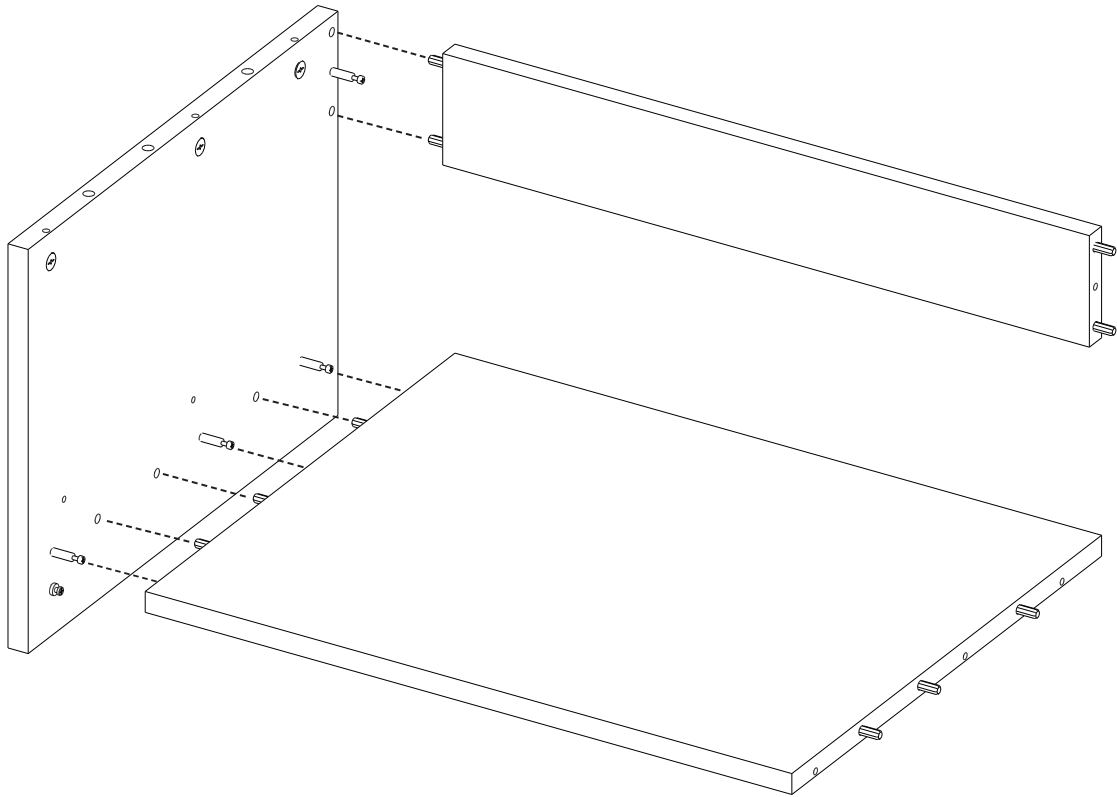


Repeat Steps 2-3 for all the Mudroom Bench Shelf packs



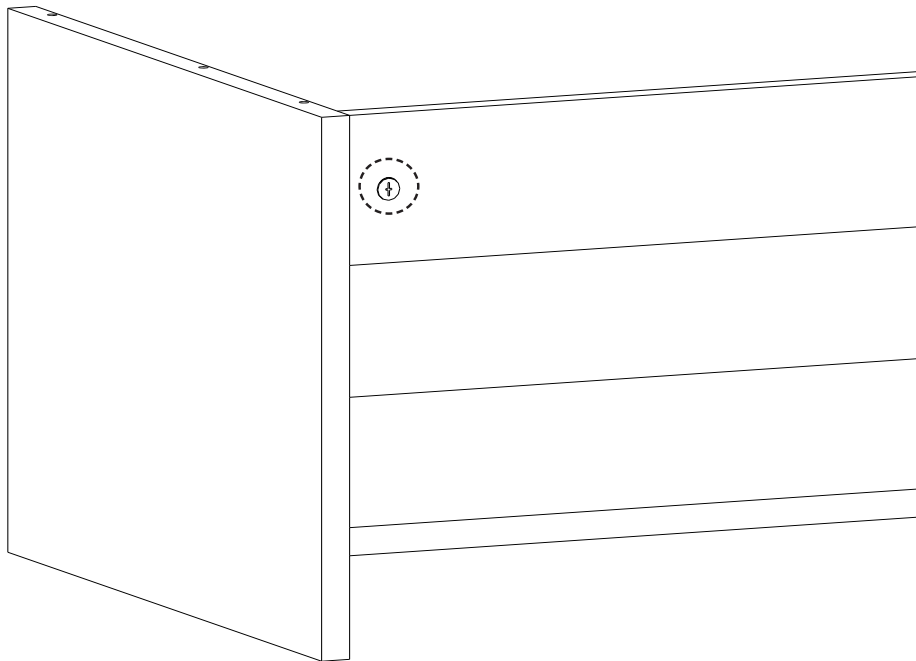
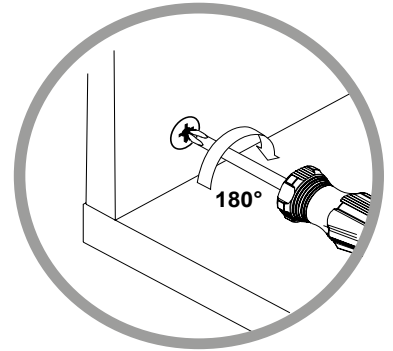
Step 4

Connect the cleats and shelves to the left side panel.



Step 5

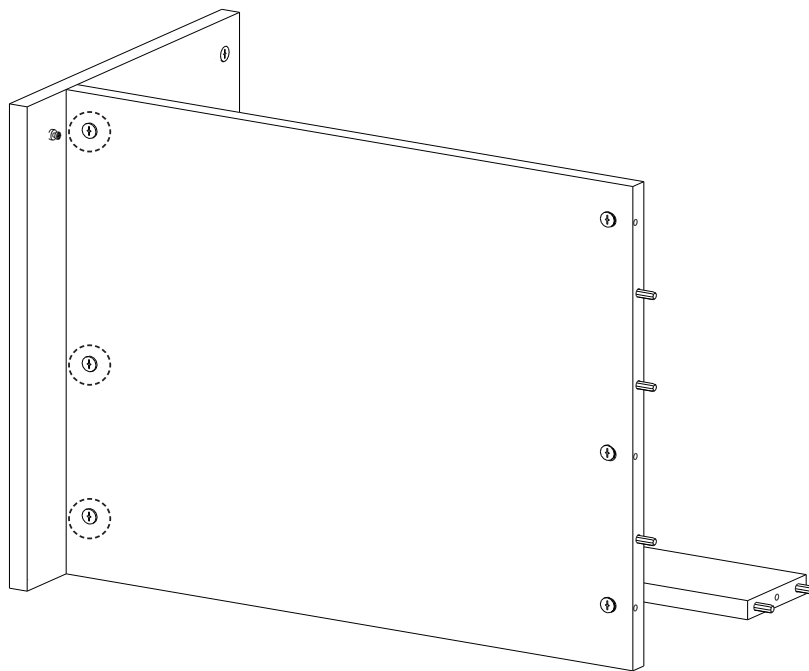
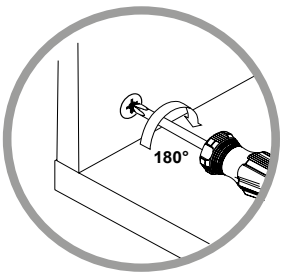
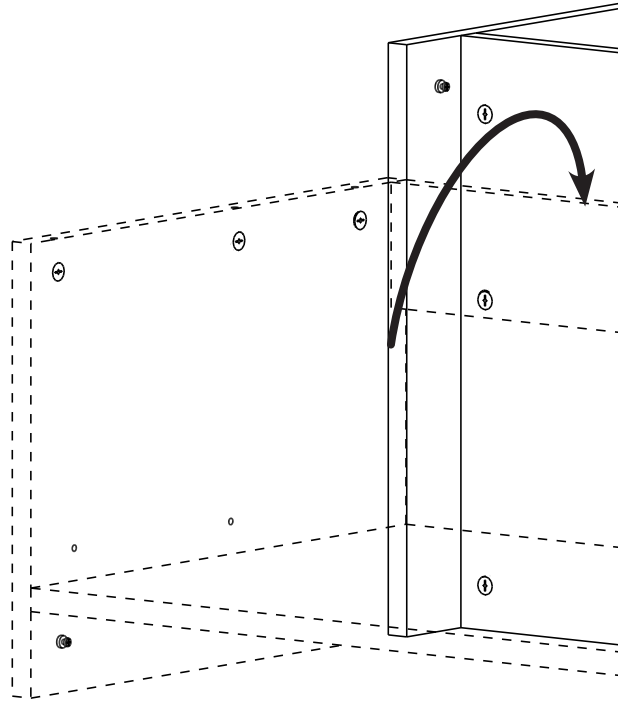
Tighten the camlock from the back of the unit.





Step 6

Carefully, flip the unit to the side and tighten the camlocks on the underside. (We recommend you line your floor to prevent scratches.)

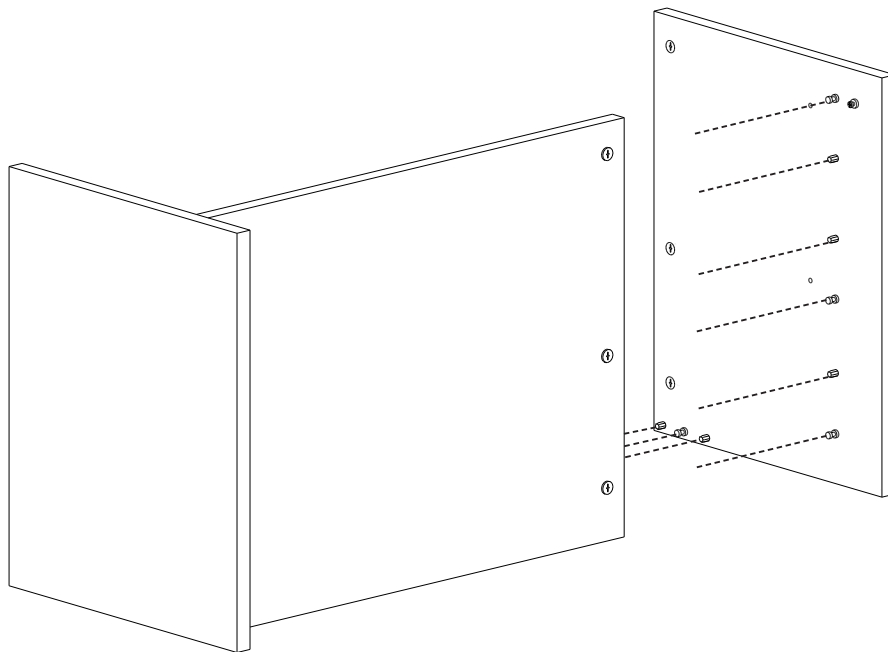
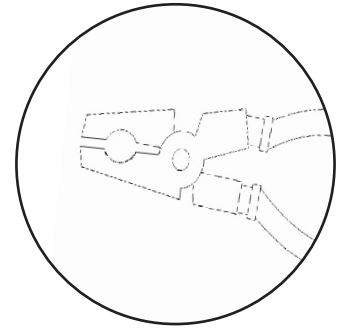
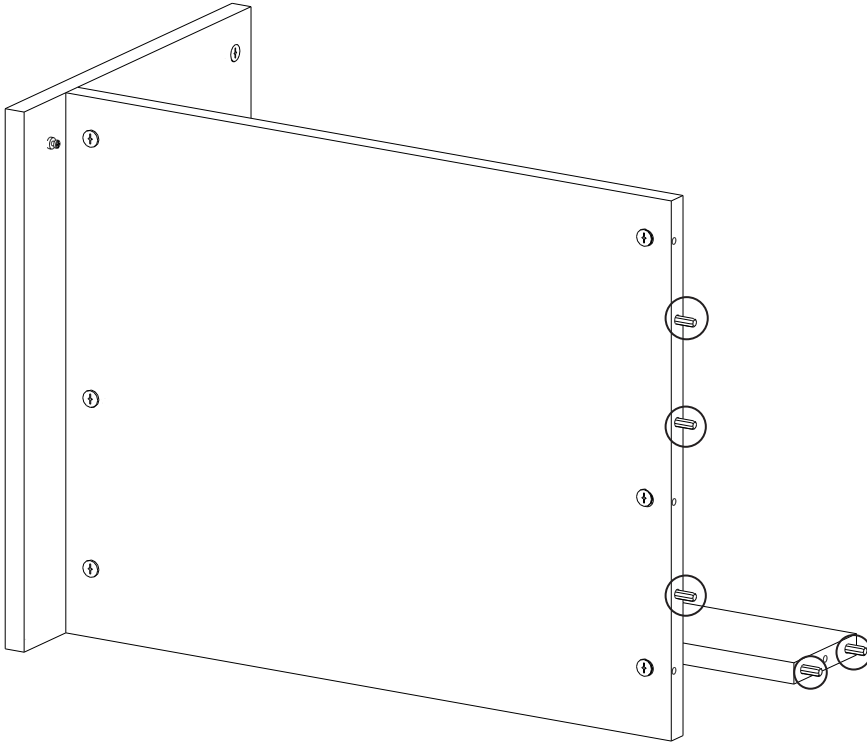


For Center Panels continue to step 7, for Side Panel continue to step 10.

Step 7

Remove the pre-installed wooden dowels from cleat and shelf. Once removed, connect the center panel to the shelf and cleat.

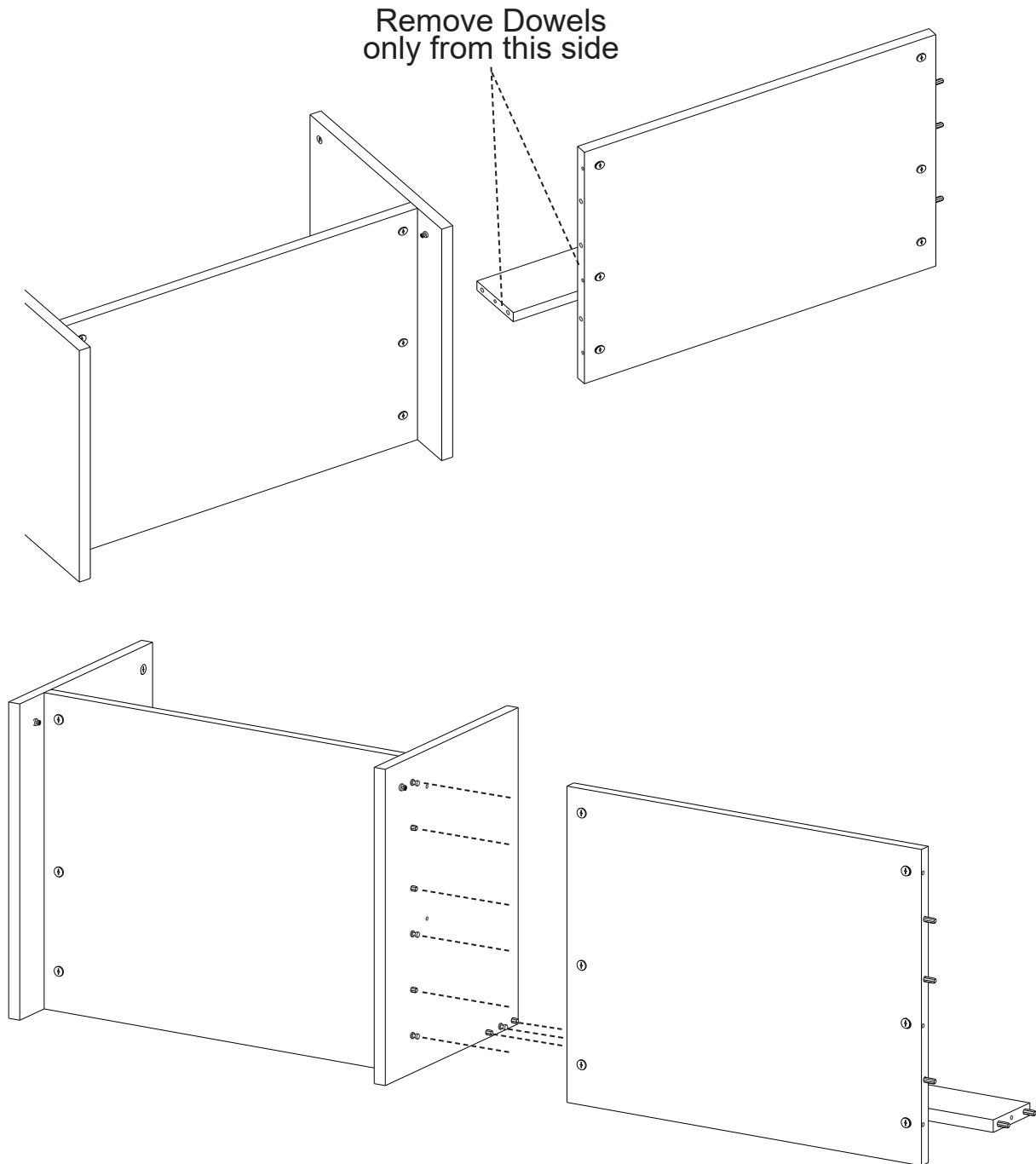
Note:
The use of pliers
might be necessary
to remove the default
dowels





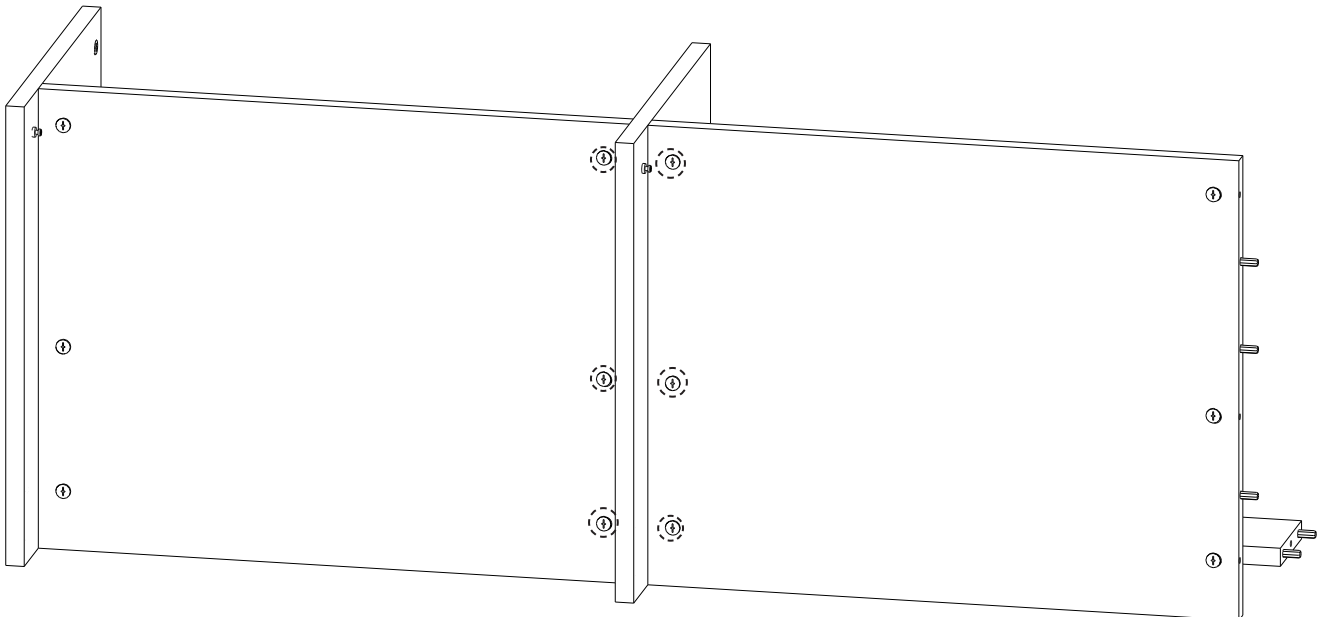
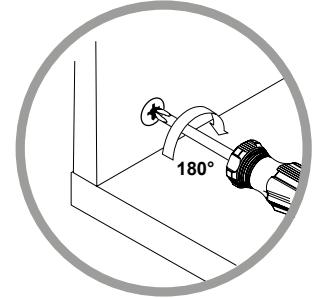
Step 8

After removing the pre-installed dowels on one side, connect a shelf and cleat to the center panel. Do not remove any dowels from the other side of the cleat and shelf unless connecting to another center panel.



Step 9

Tighten the camlocks from the underside

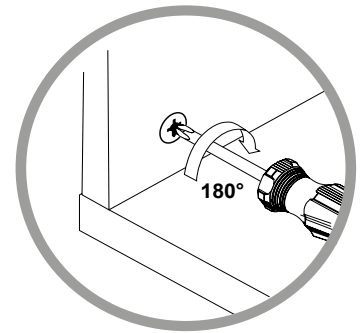
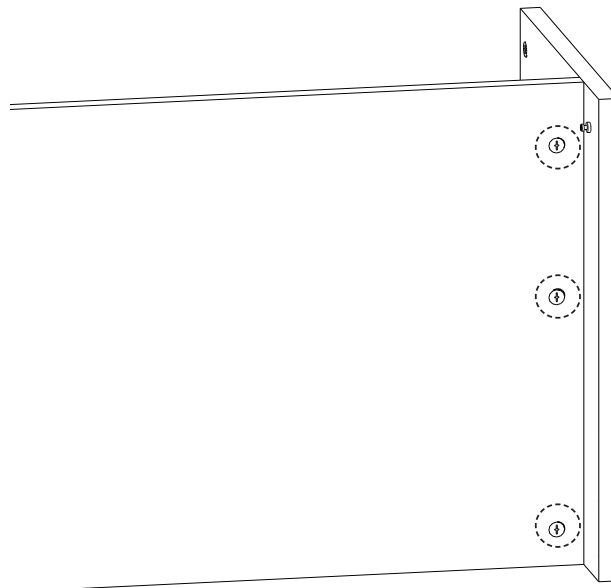
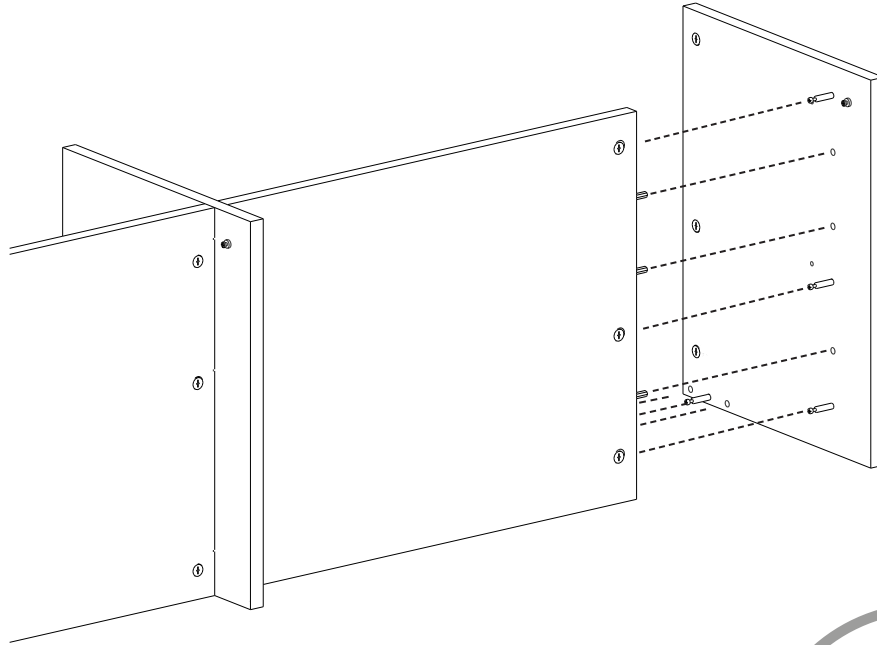


Repeat steps 7-9 for each Center Panel.



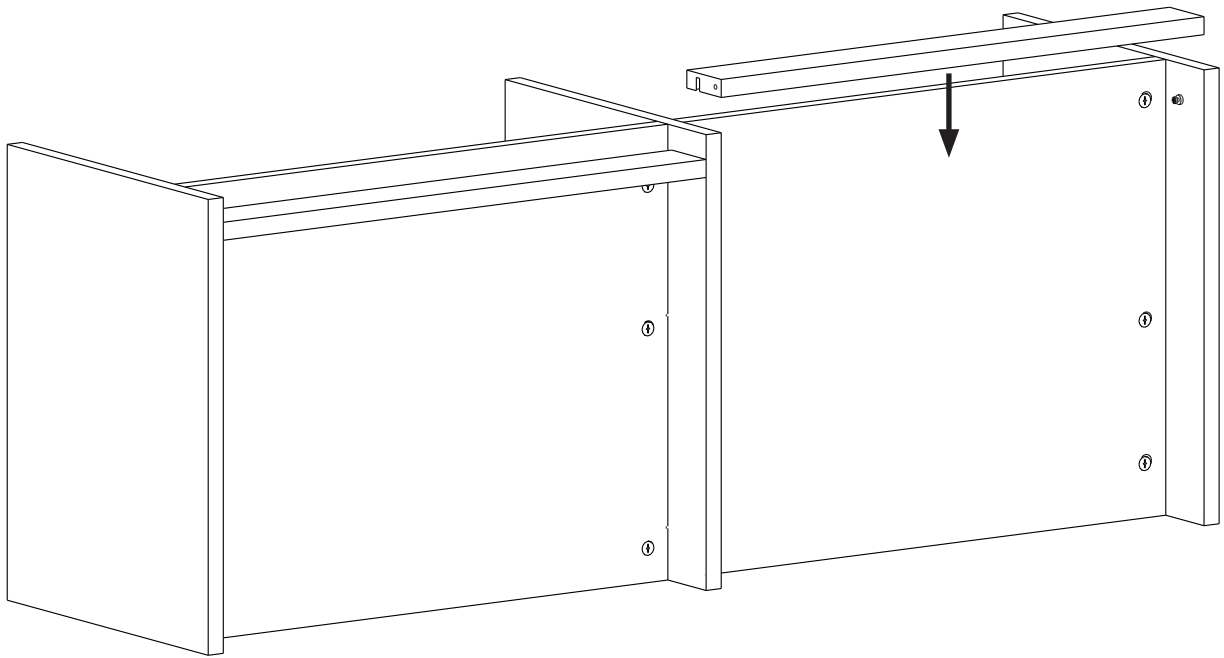
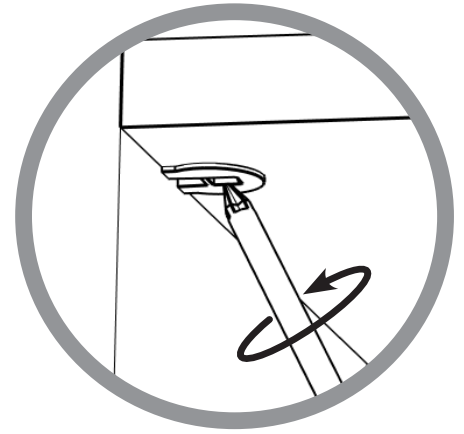
Step 10

Connect the right side panel and tighten the camlocks.



Step 11

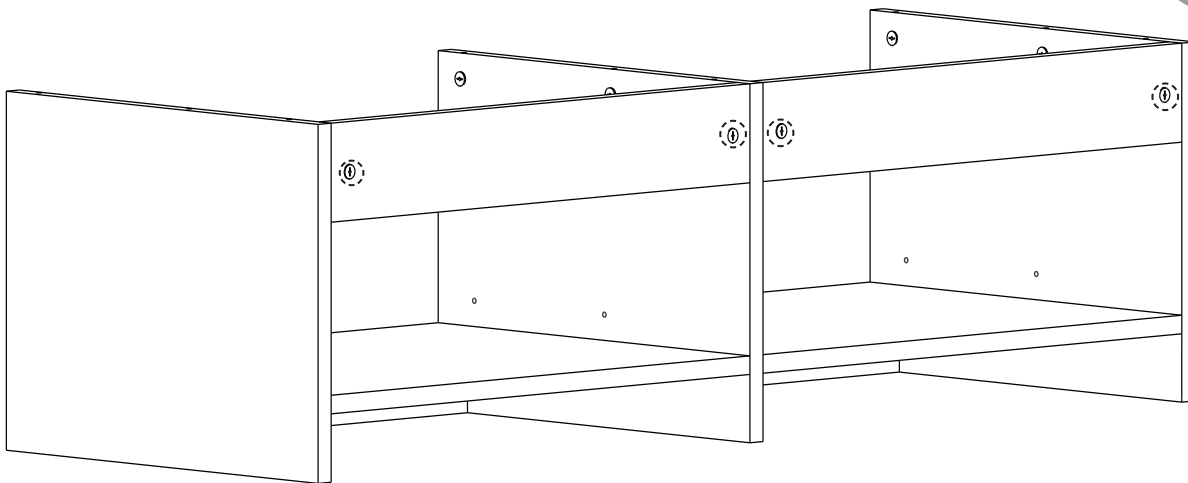
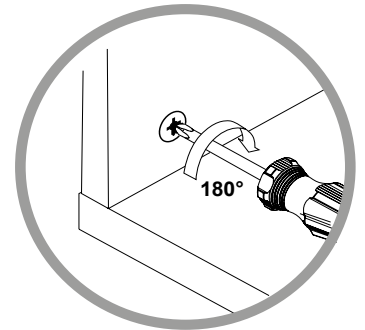
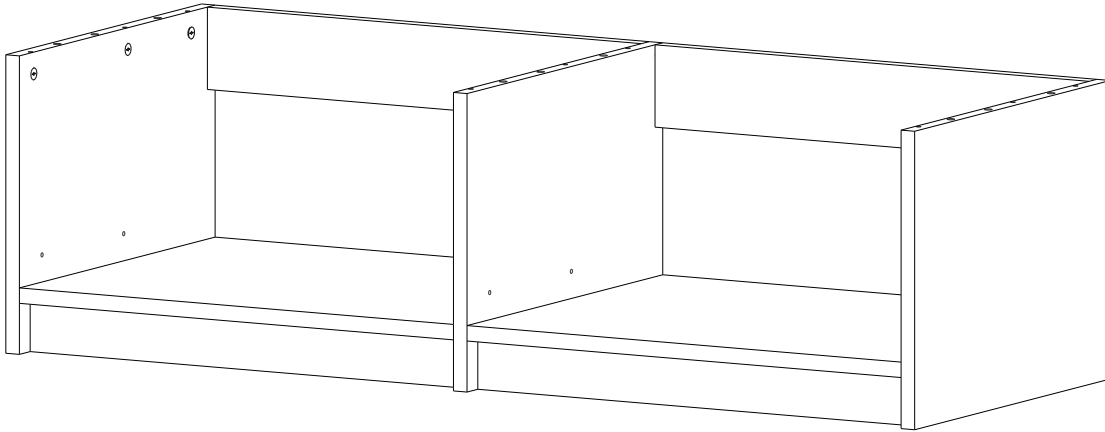
Connect the toe kicks to the screw dowels, then tighten the rafixes shown.





Step 12

Very carefully, flip the unit back upright and then tighten the camlocks for the cleats in the back



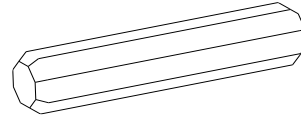
Step 13

Insert the hardware into the bench top

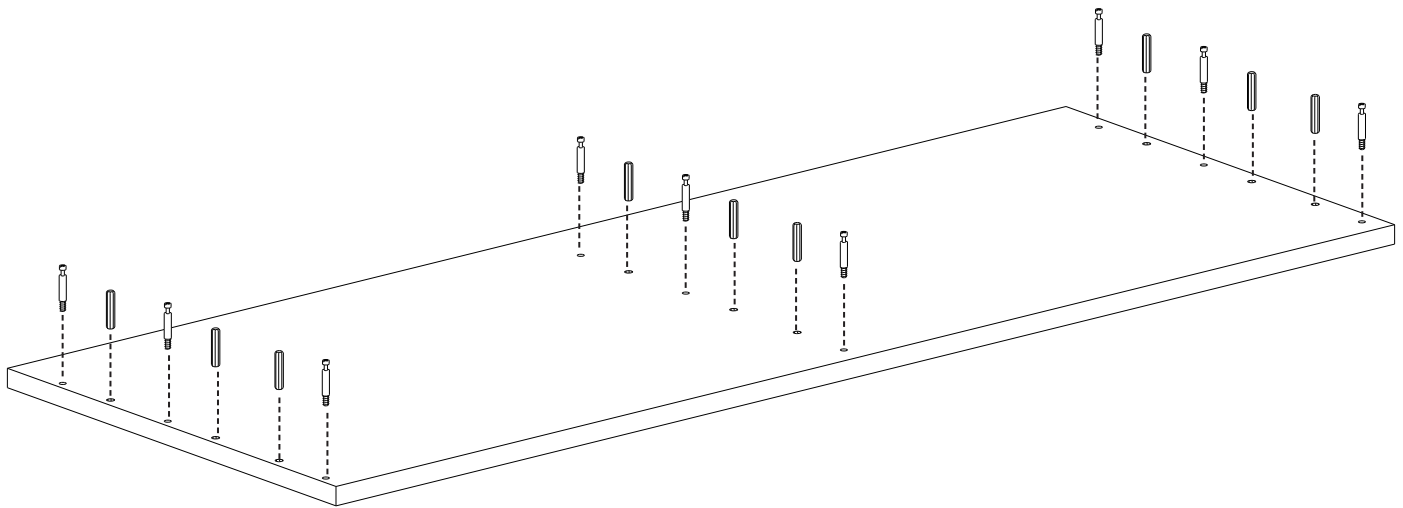


This step requires the 'shorter' wooden dowels previously set aside. Please ensure you are using the correct size variant for this step.

Wooden Dowel



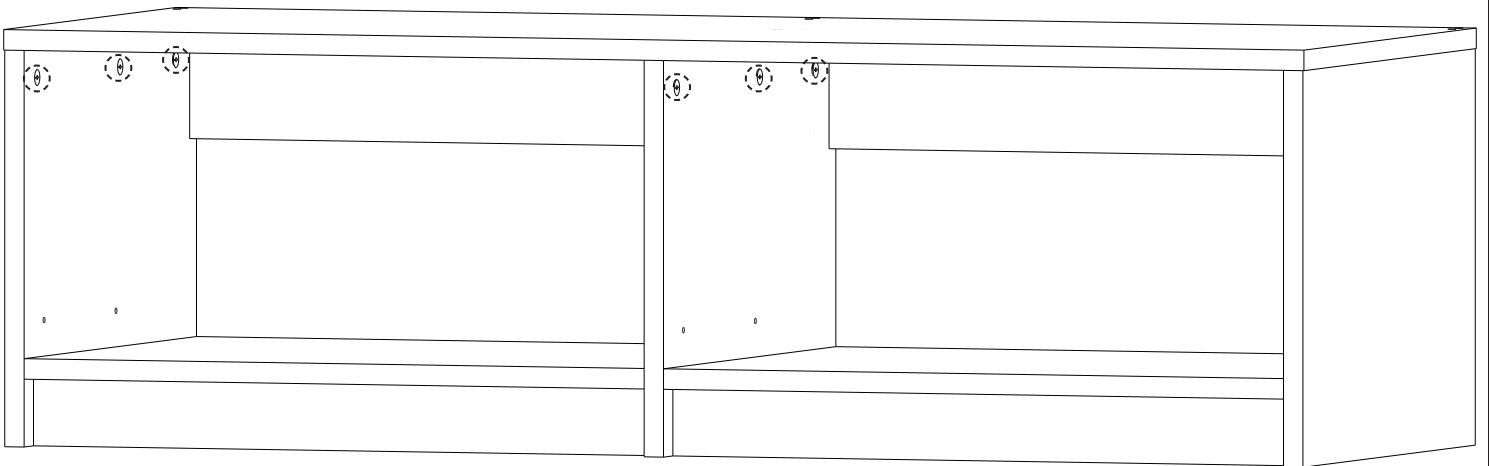
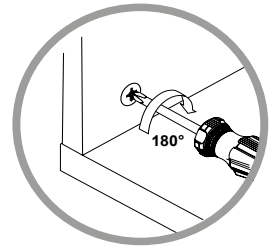
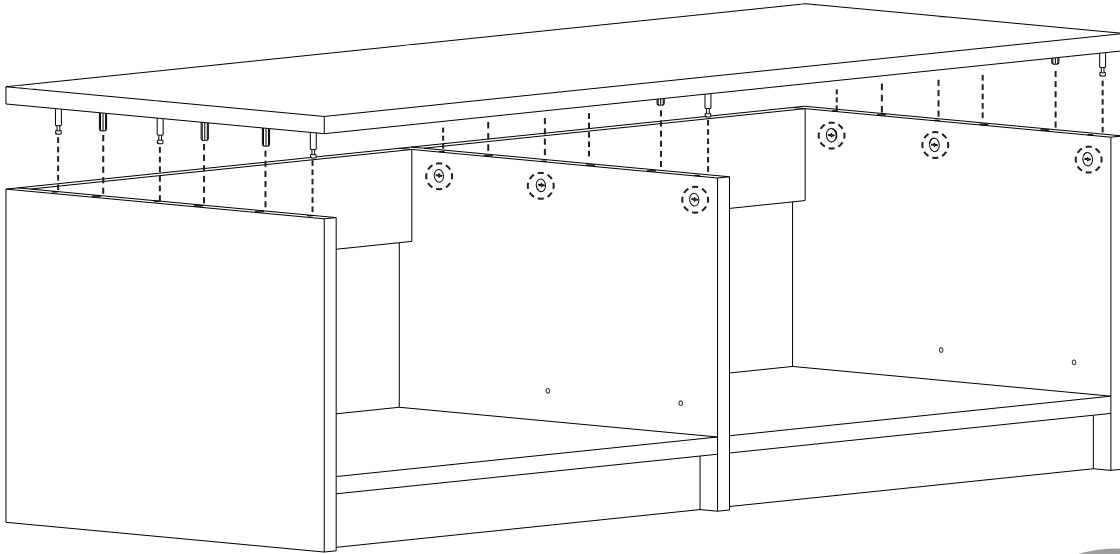
Campost



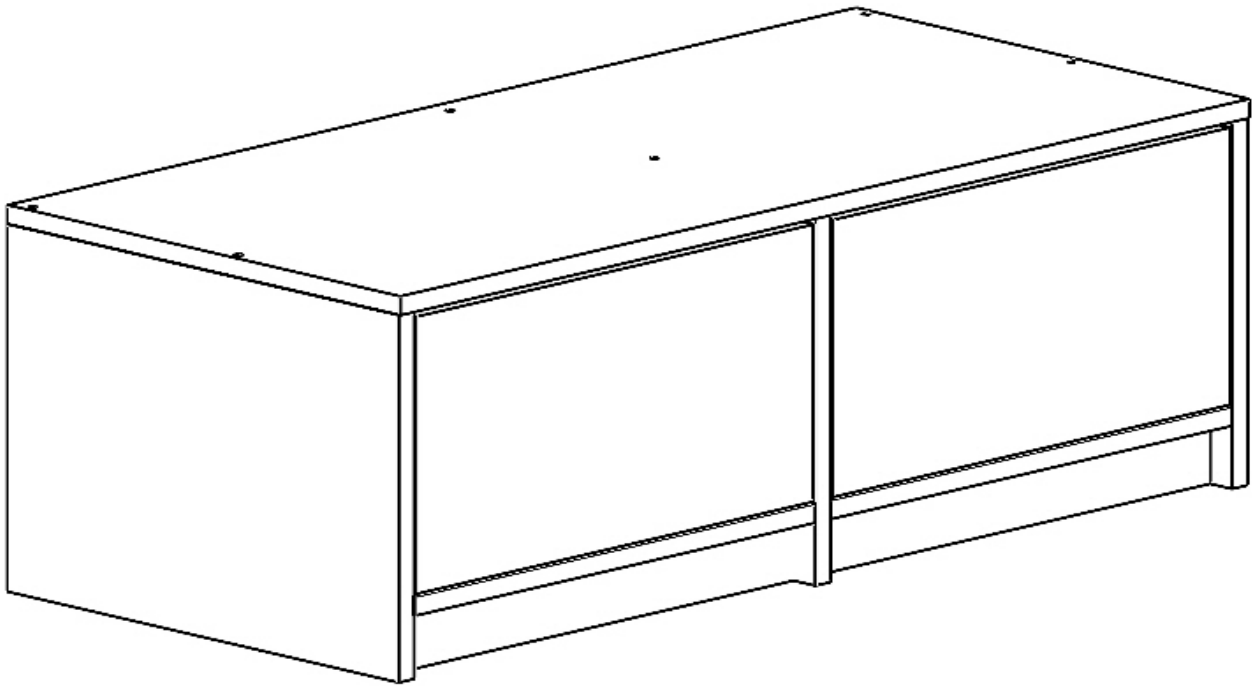


Step 14

Flip over and insert, then tighten the camlocks shown.



The drawer boxes will be built next.

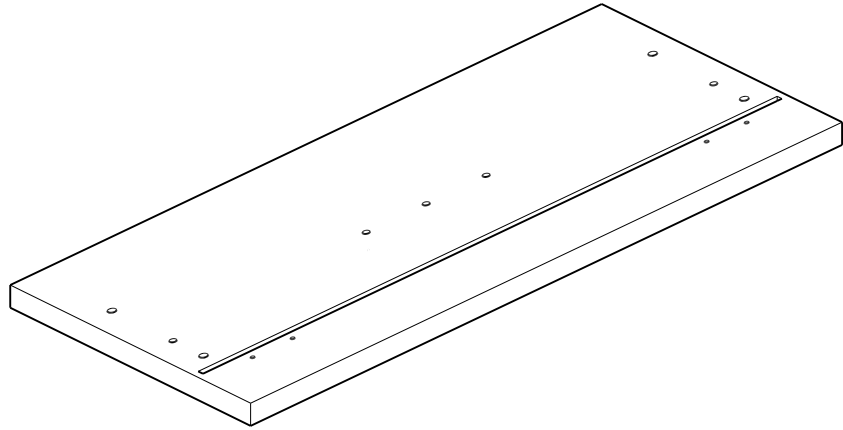




Drawer assembly Boxes Needed

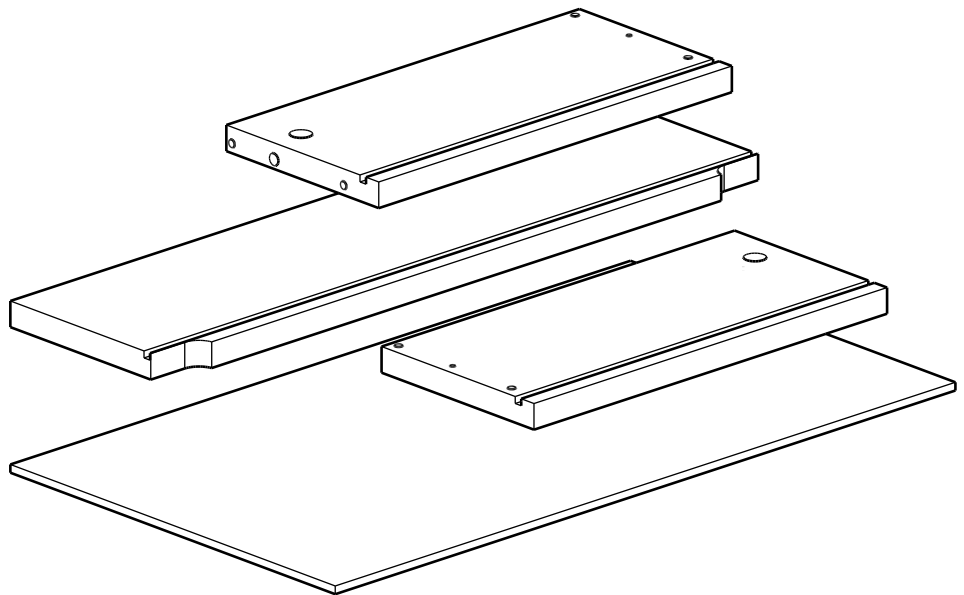
MDR-DF
Mudroom Drawer Front

(There is a 1 per pack and 2 per pack box)



MDR-DRB
Mudroom Drawer Boxes

(There is a 1 per pack and 2 per pack box)

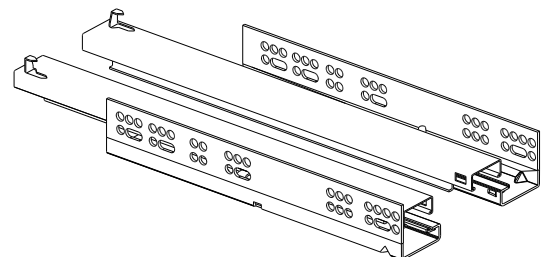


Tools needed

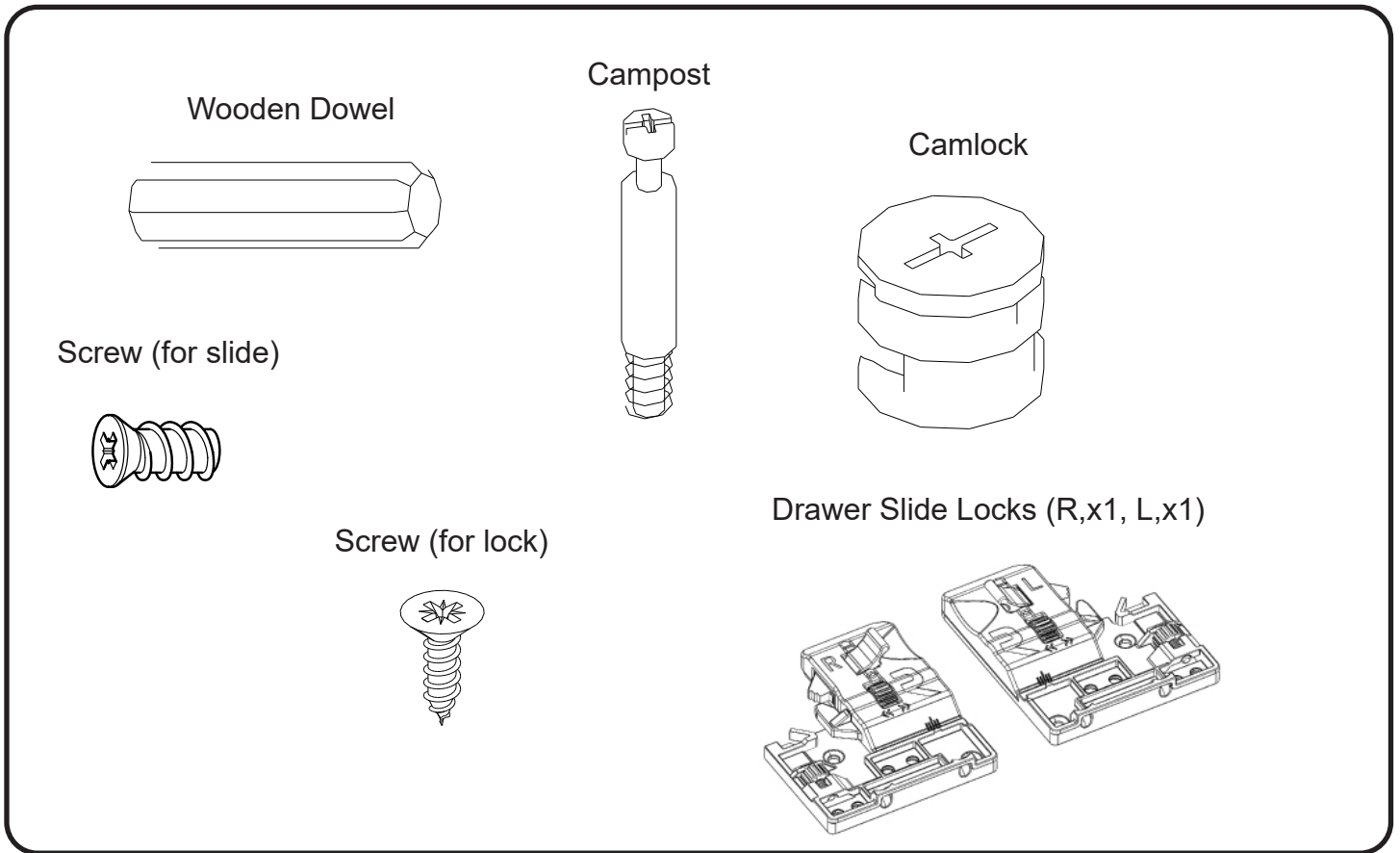
Philips screw driver

Rubber mallet

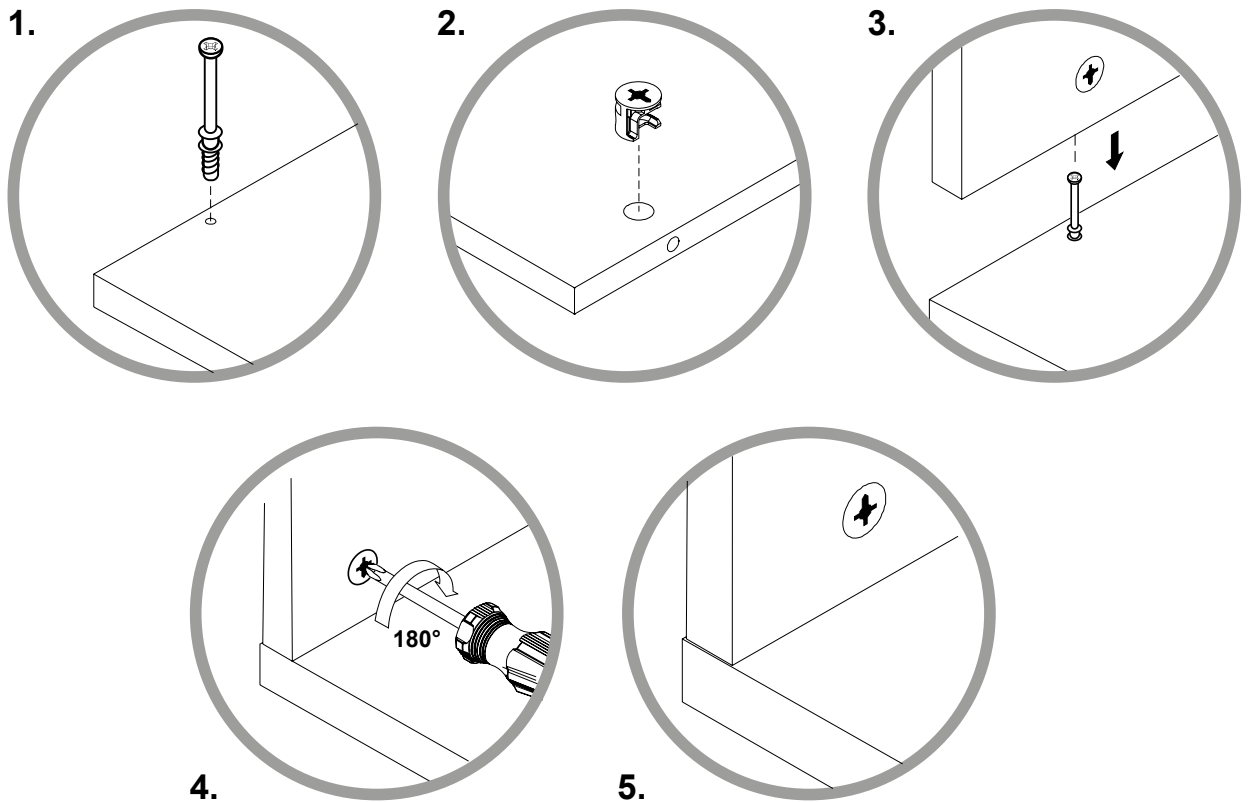
Drawer Slides (separate box)



Hardware Packs Needed
HRDP-MDRDW



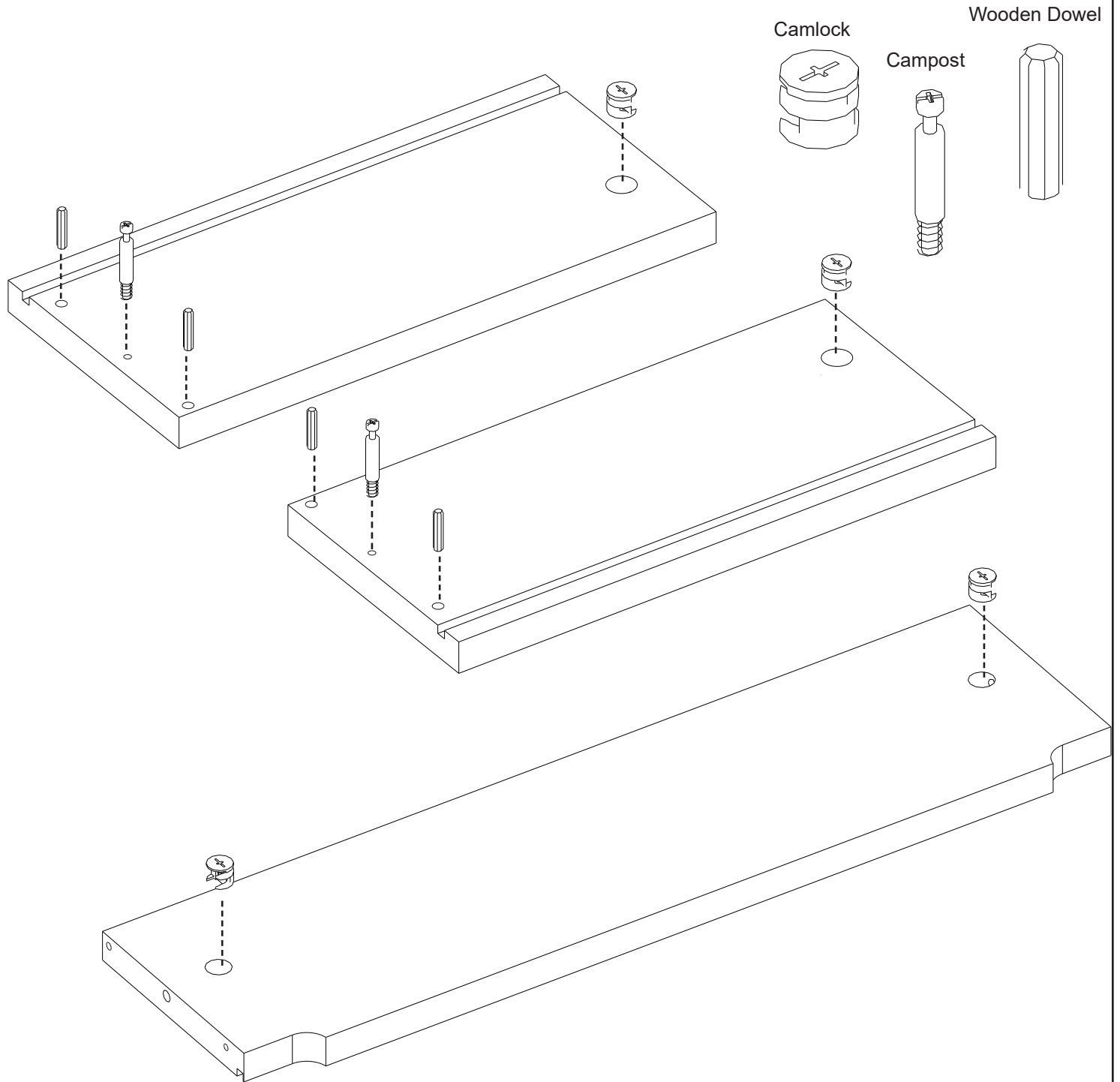
How to use the Cam lock system





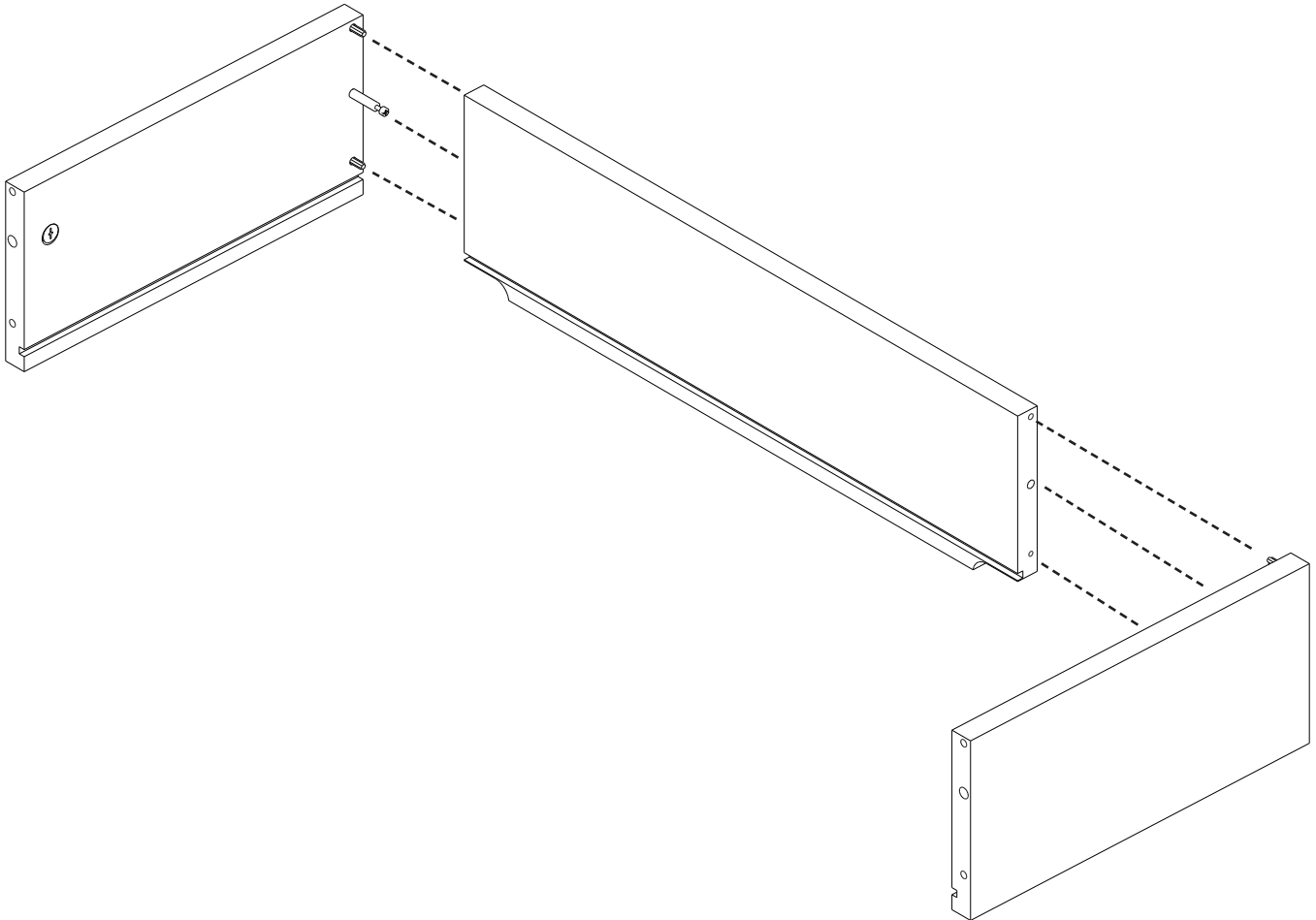
Step 1

Removing the parts from MDR-DRB(s), insert cam locks, cam posts and wooden dowels in the drawer sides and back as shown below.



Step 2

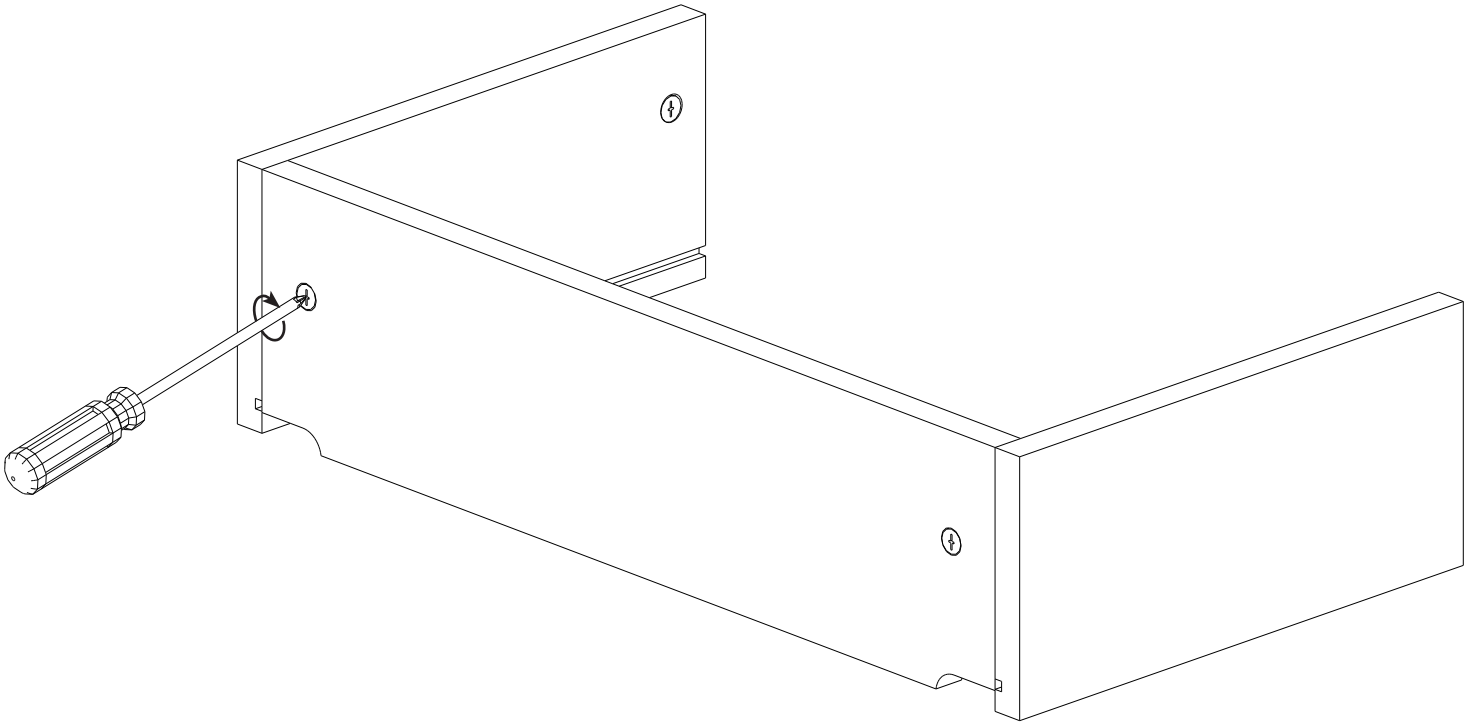
Connect the side panels to the back.





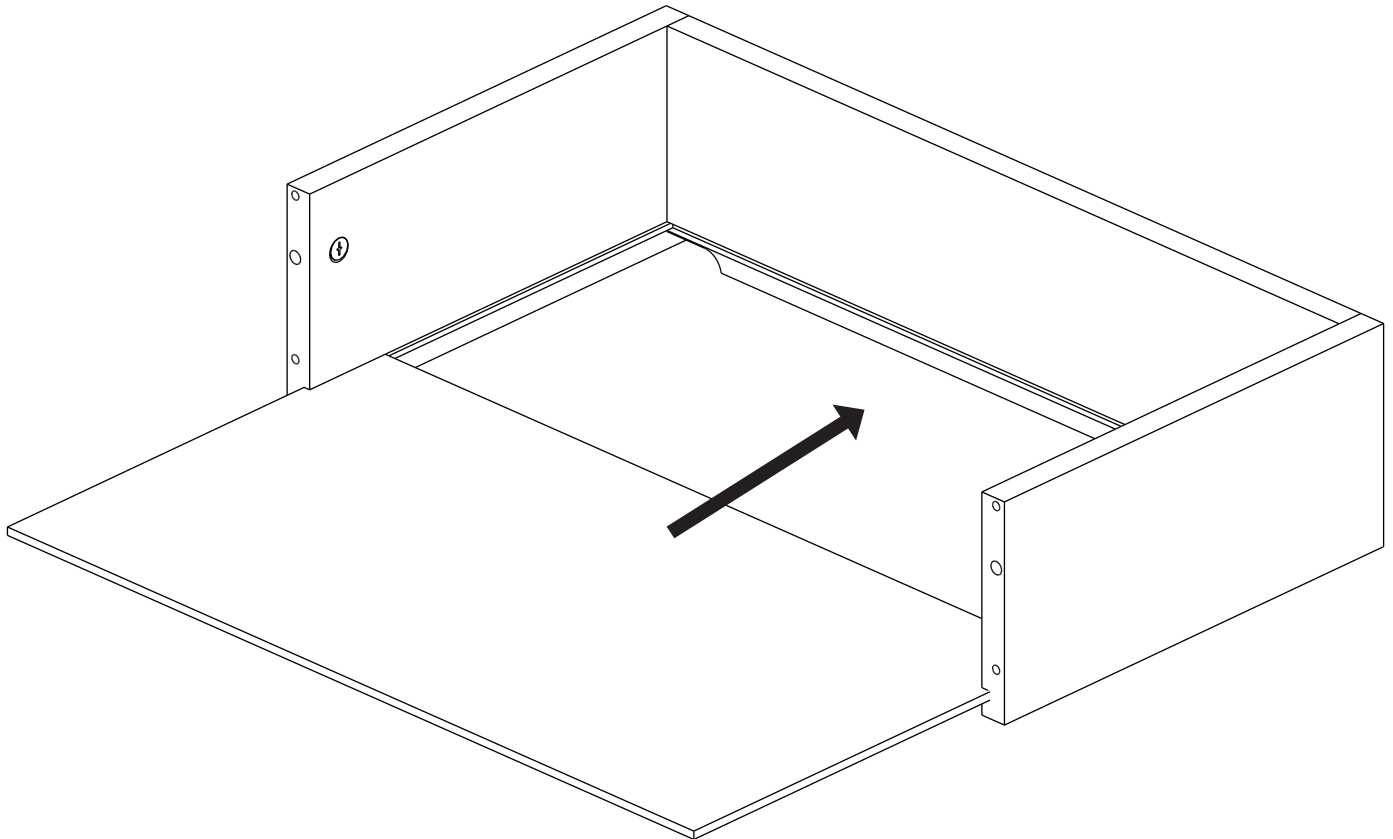
Step 3

Tighten both cam locks by turning them 180°



Step 4

Slide the drawer bottom in



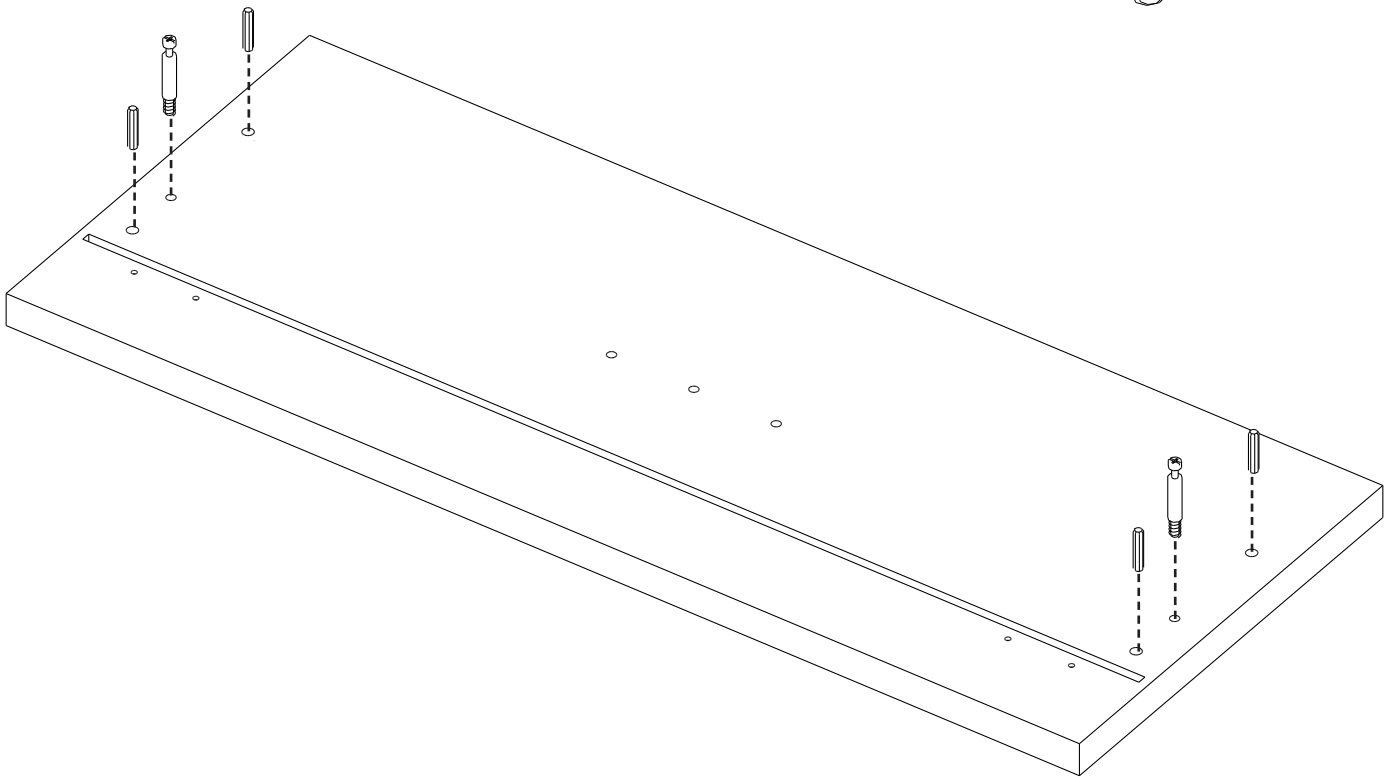
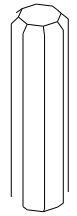


Step 5

Insert cam locks and camposts into drawer front as shown below.

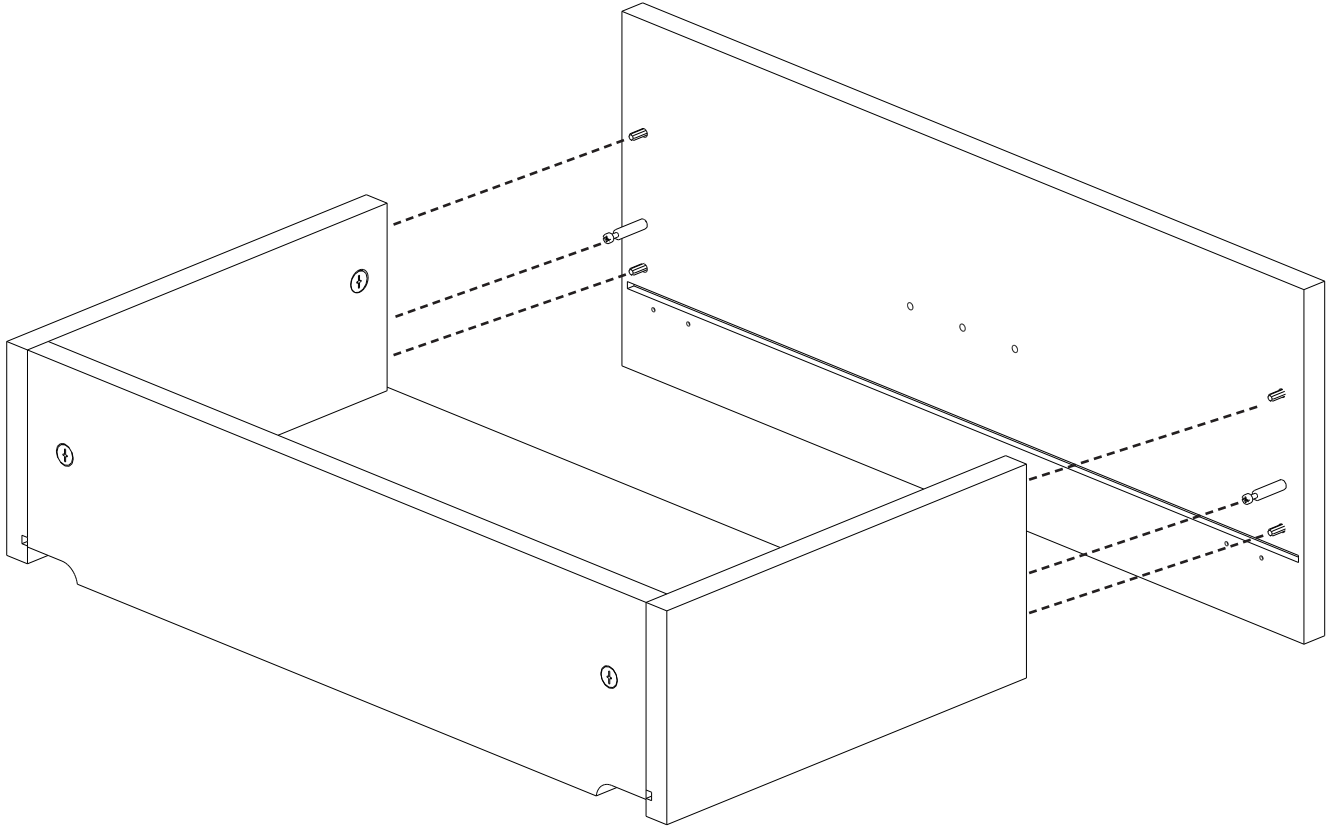
Campost

Wooden Dowel



Step 6

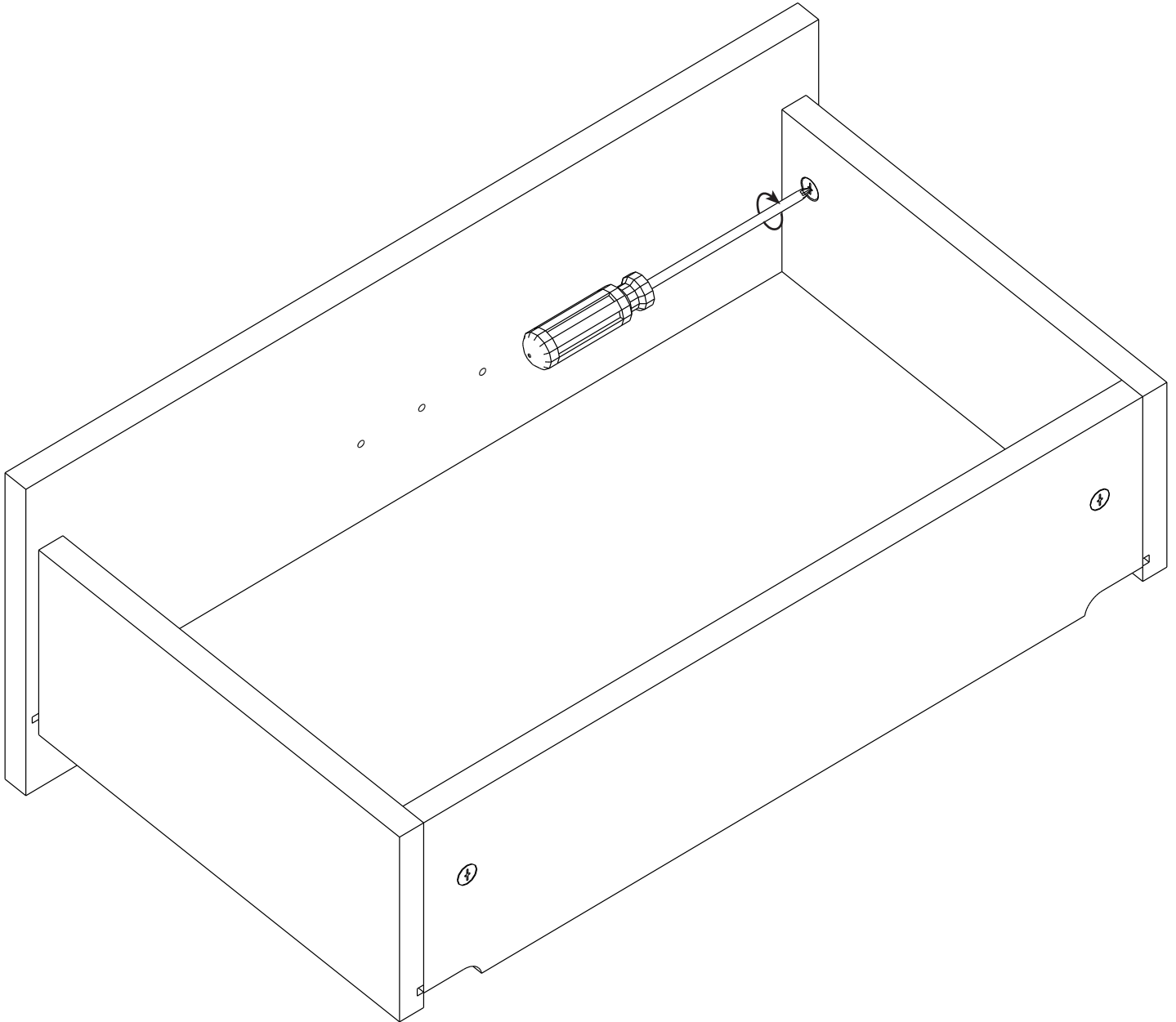
Connect drawer front to drawer box.





Step 7

Tighten cam locks on both sides.

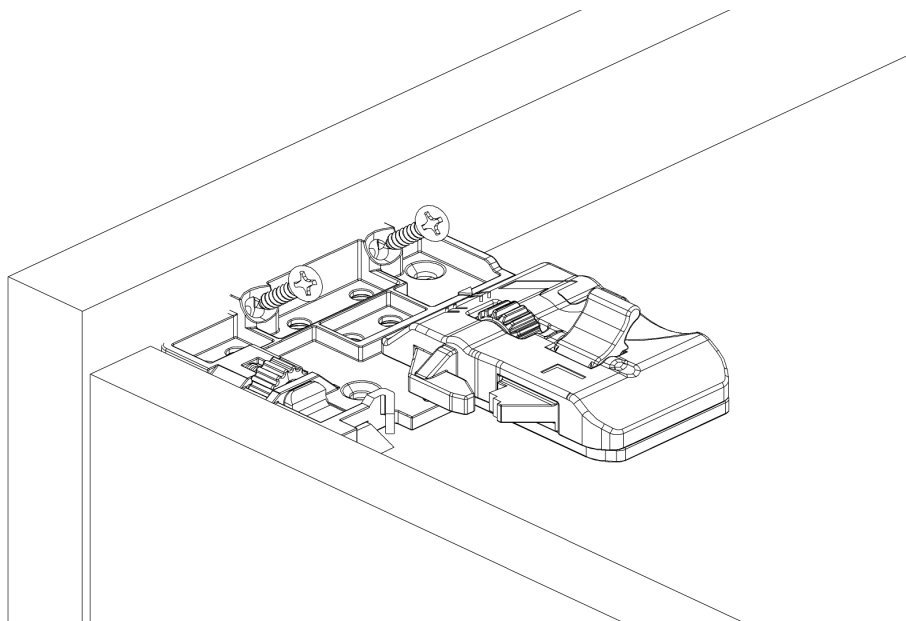
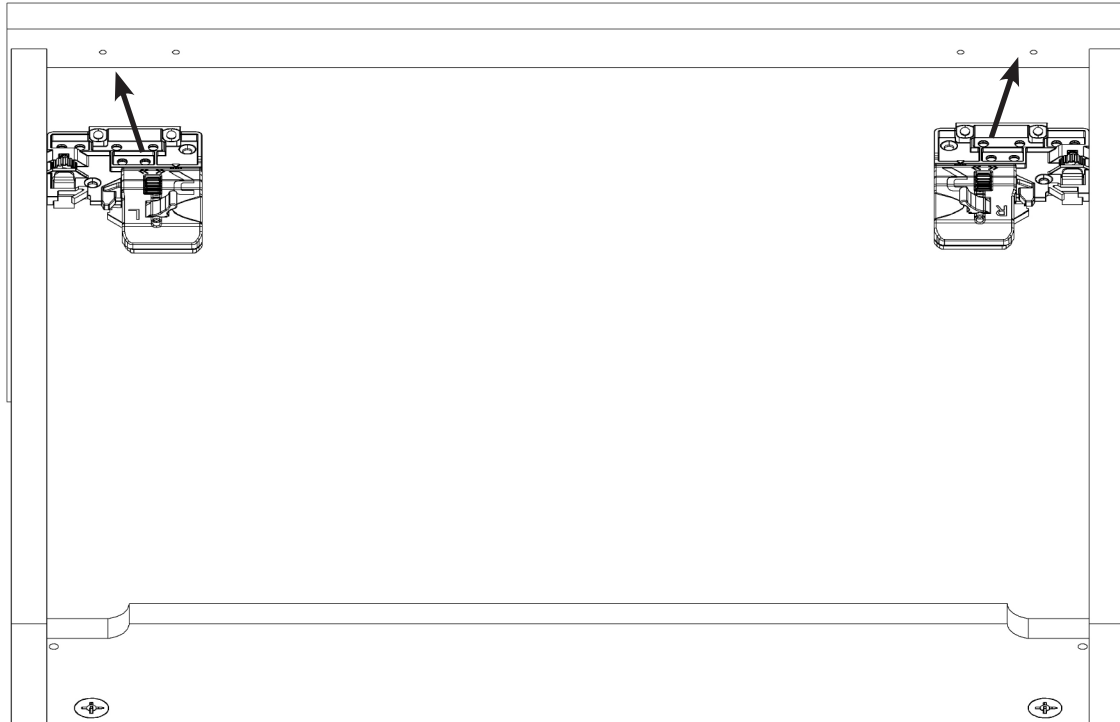
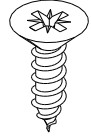
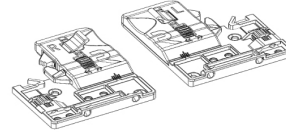


Step 8

Flip over the drawer and put the lock for slides in each corner and screw in as shown. Repeat steps 2 - 9 for all drawers.

Lock for slides R,x1, L,x1

Screw for lock

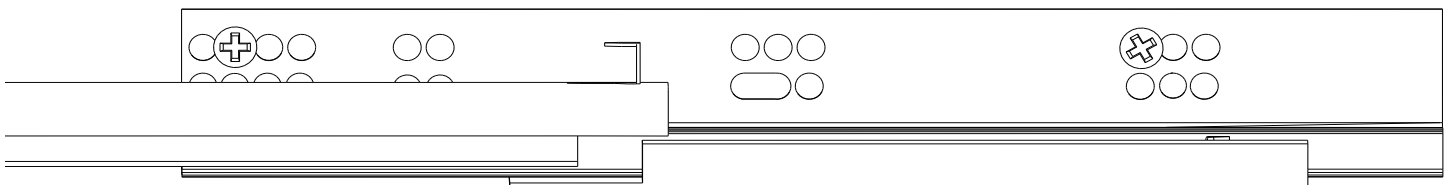
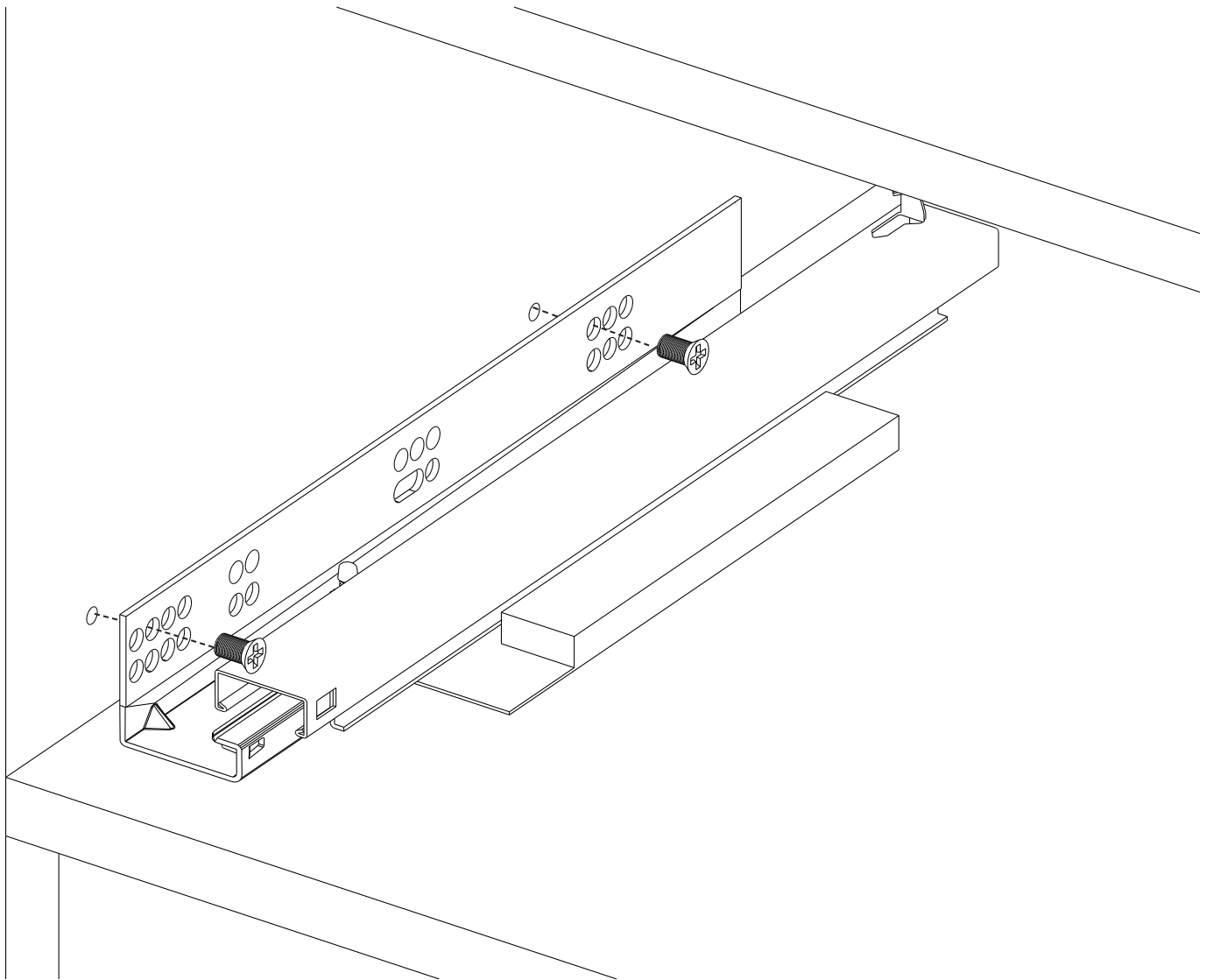




Step 9

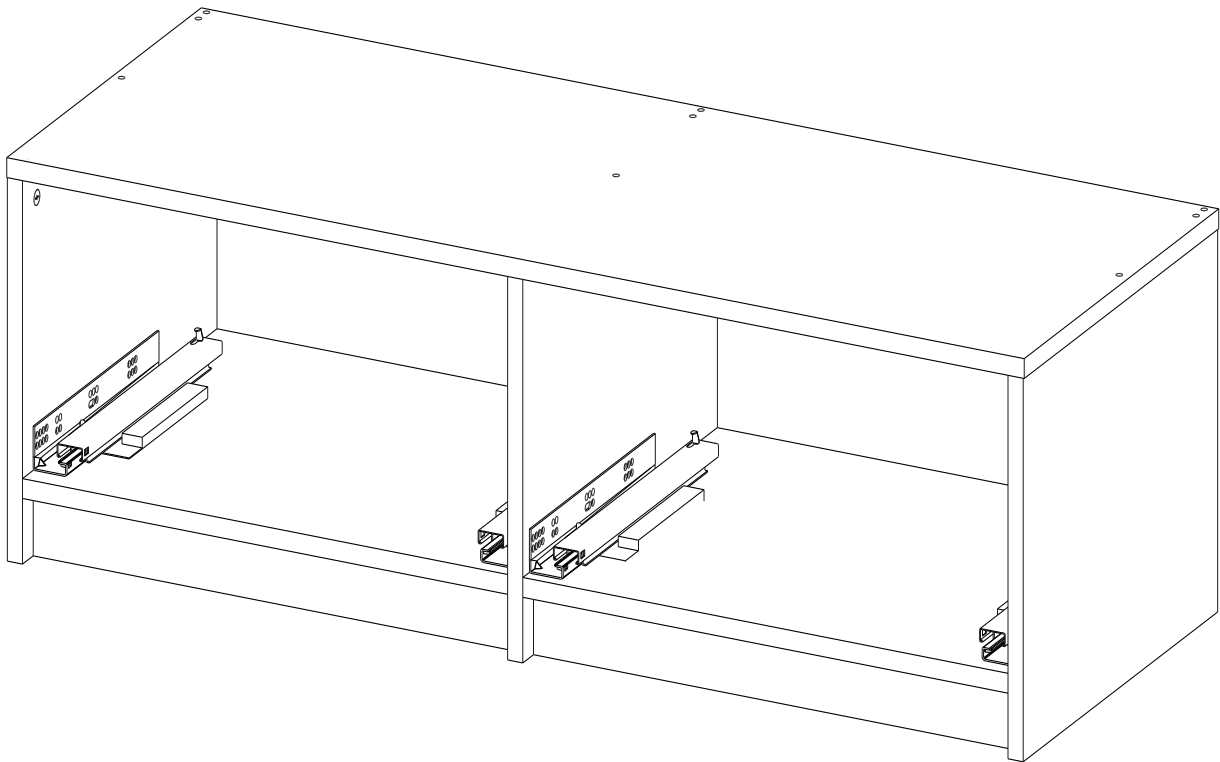
Attach the drawer slides to the lower half on both sides in each open cubby of the bench. Use the diagram below to match the screws to the correct opening.

Screw (for slide)



Step 10

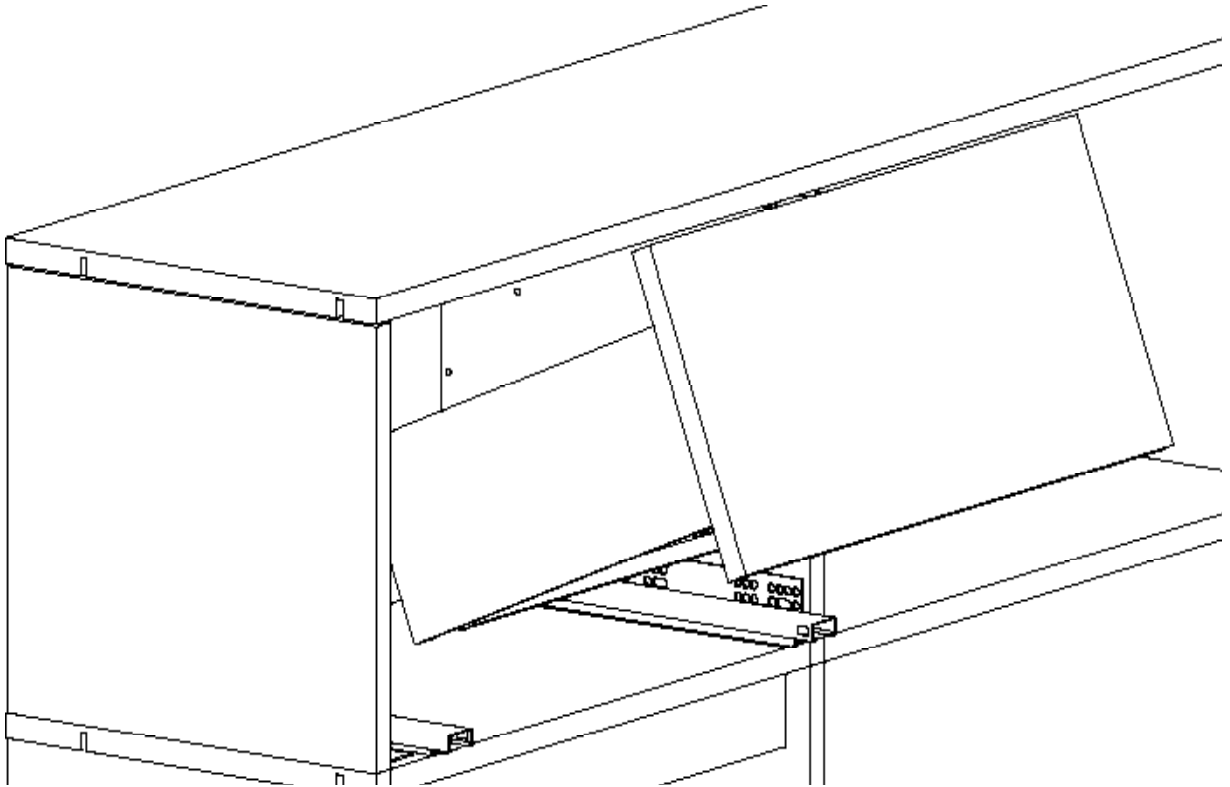
Repeat for all remaining drawer slides on each open section.





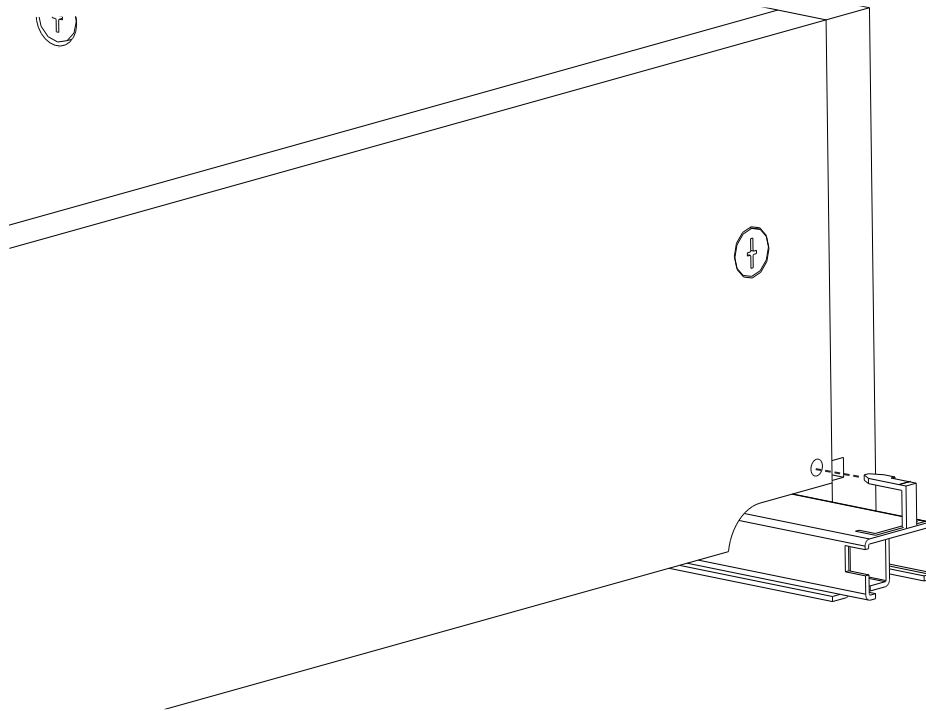
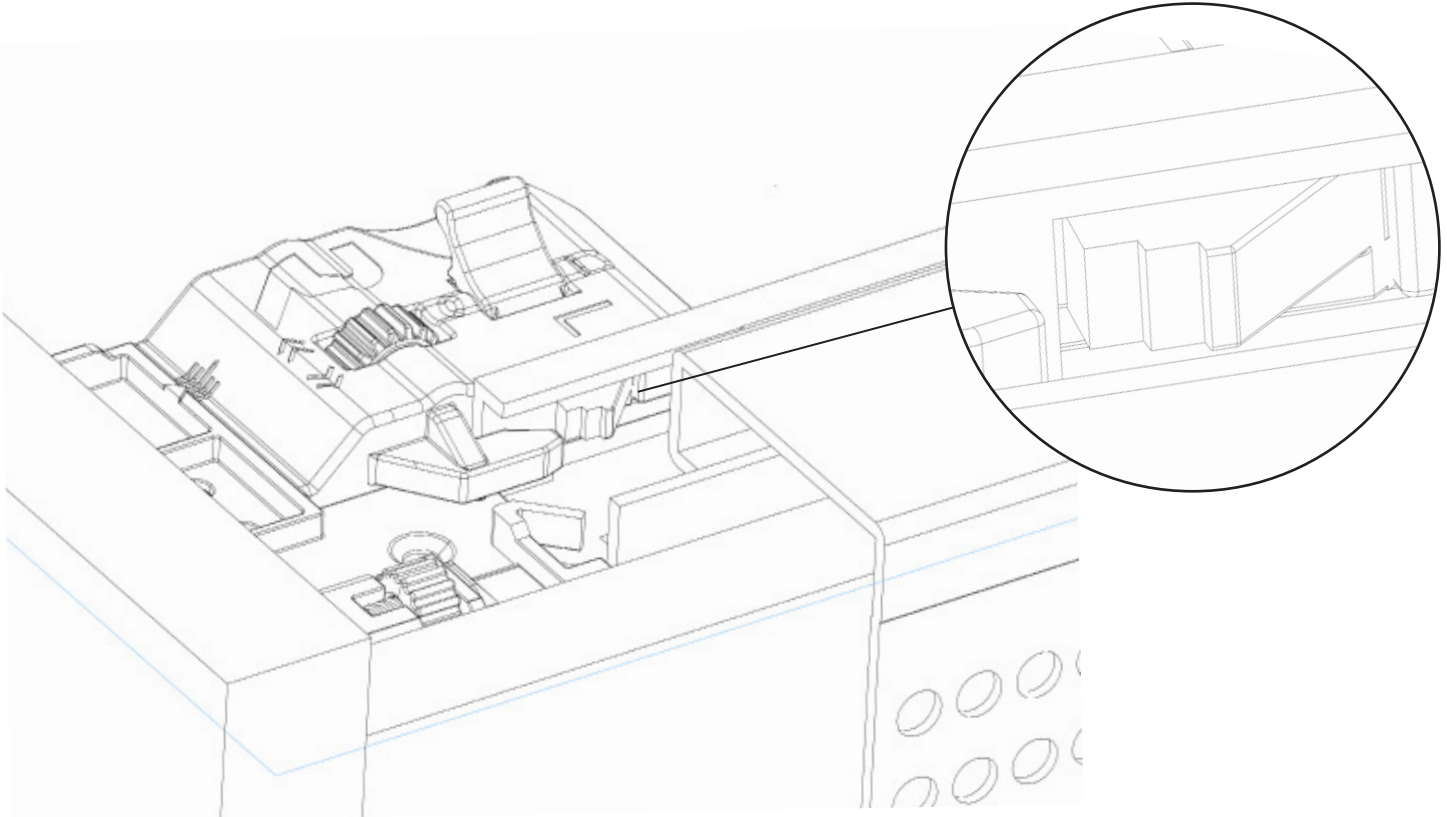
Step 11

Attaching drawer boxes to the rails is as simple as placing the drawer box into its correct place. Simply keep the rails retracted, take the drawer and slide it into the bench opening. It should connect automatically. If not see the step below.

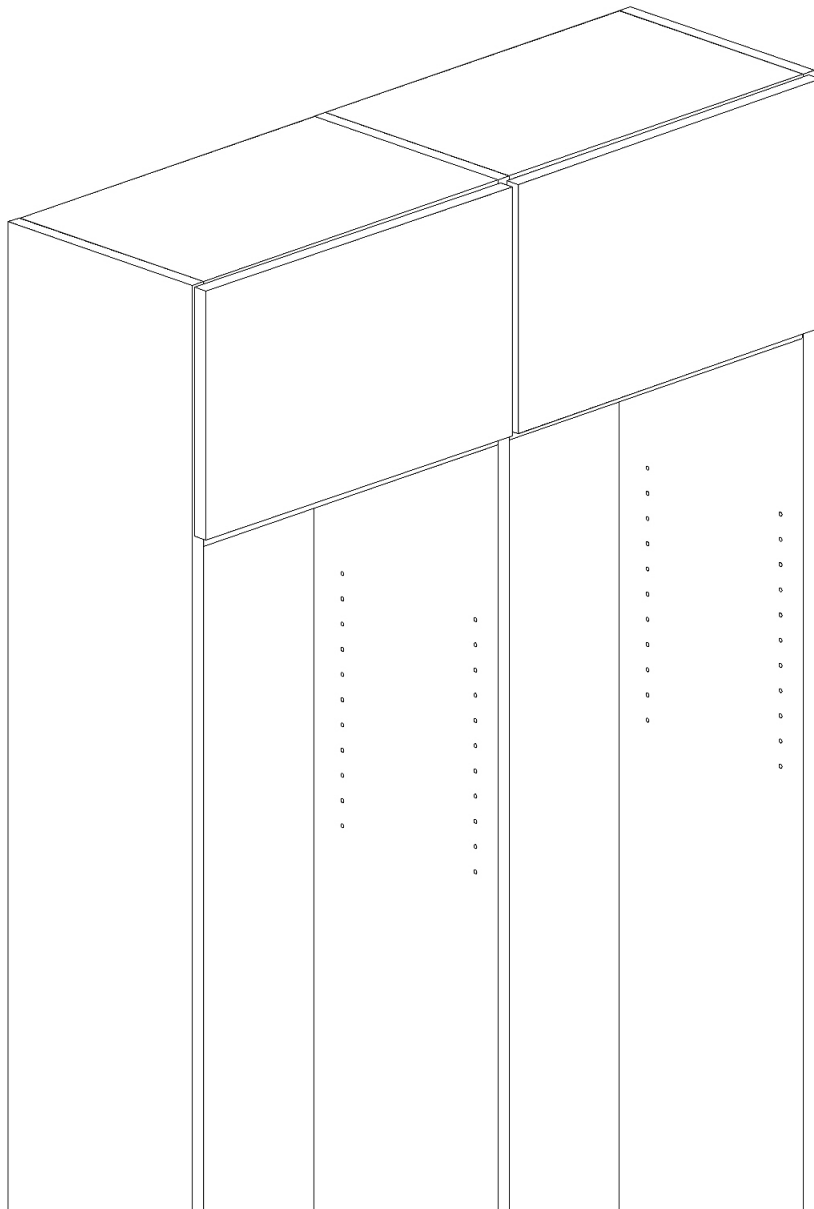


Step 11b

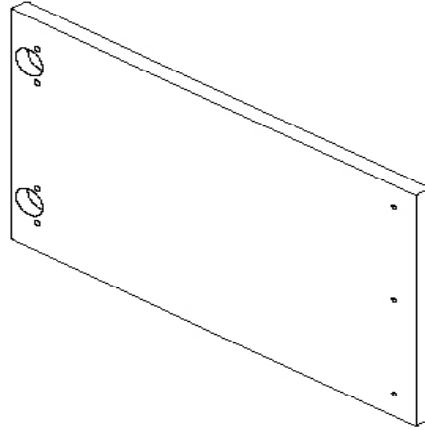
If the slides did not catch, here is what to look for. On the drawer locks, the lever operated hinge should catch on the open slot of the extendable portion of the drawer slide shown below. The slide should also hook on to the back side of the drawer.



The door assembly on the top shelves will be built next.

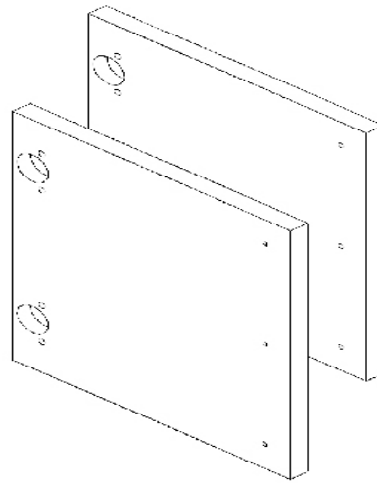


Door Assembly Boxes Needed



MDR-DO

(19.5" has 1 per pack and
24" has 2 per pack)



Tools needed

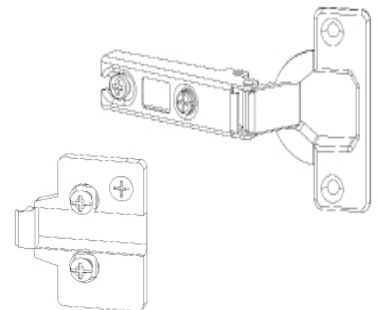
Philips screw driver



Rubber mallet

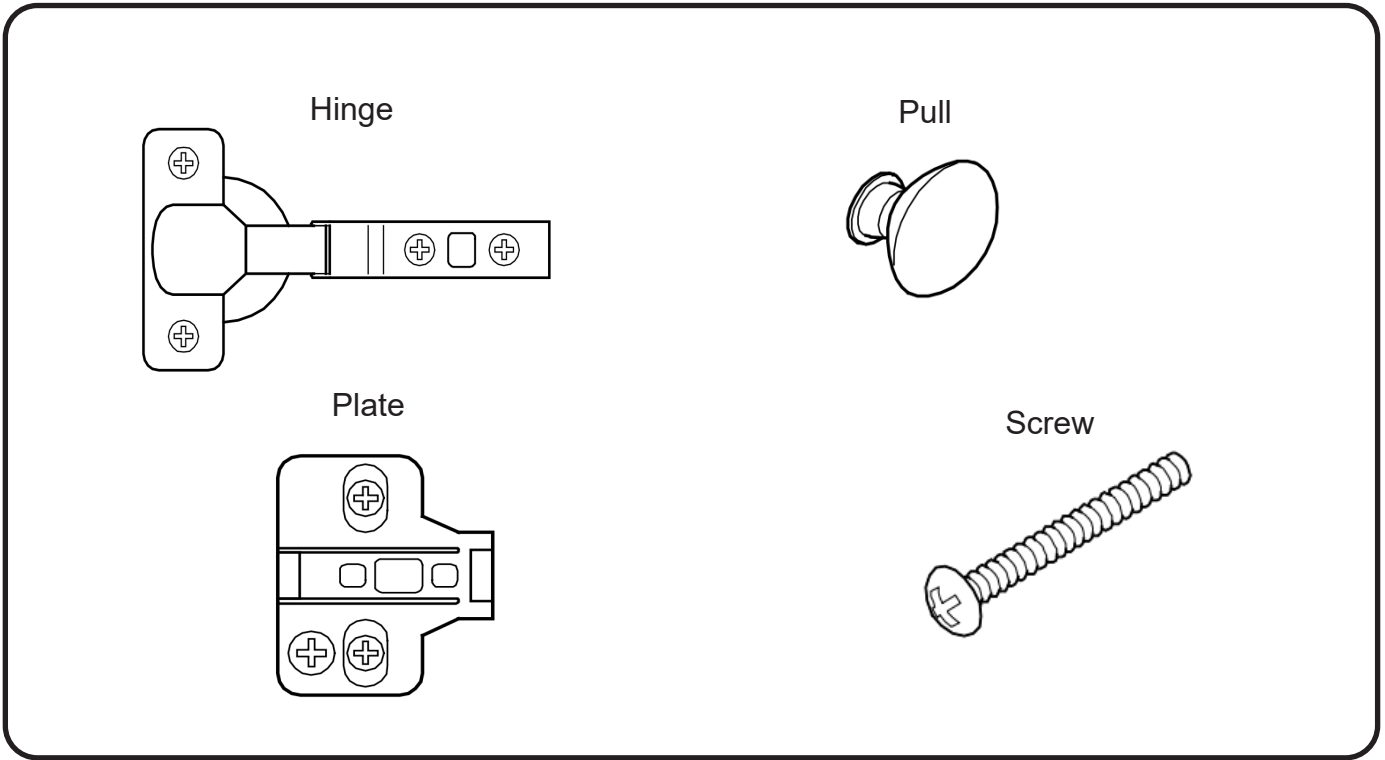


Door Hinges/Plates (*Hardware Pack*)





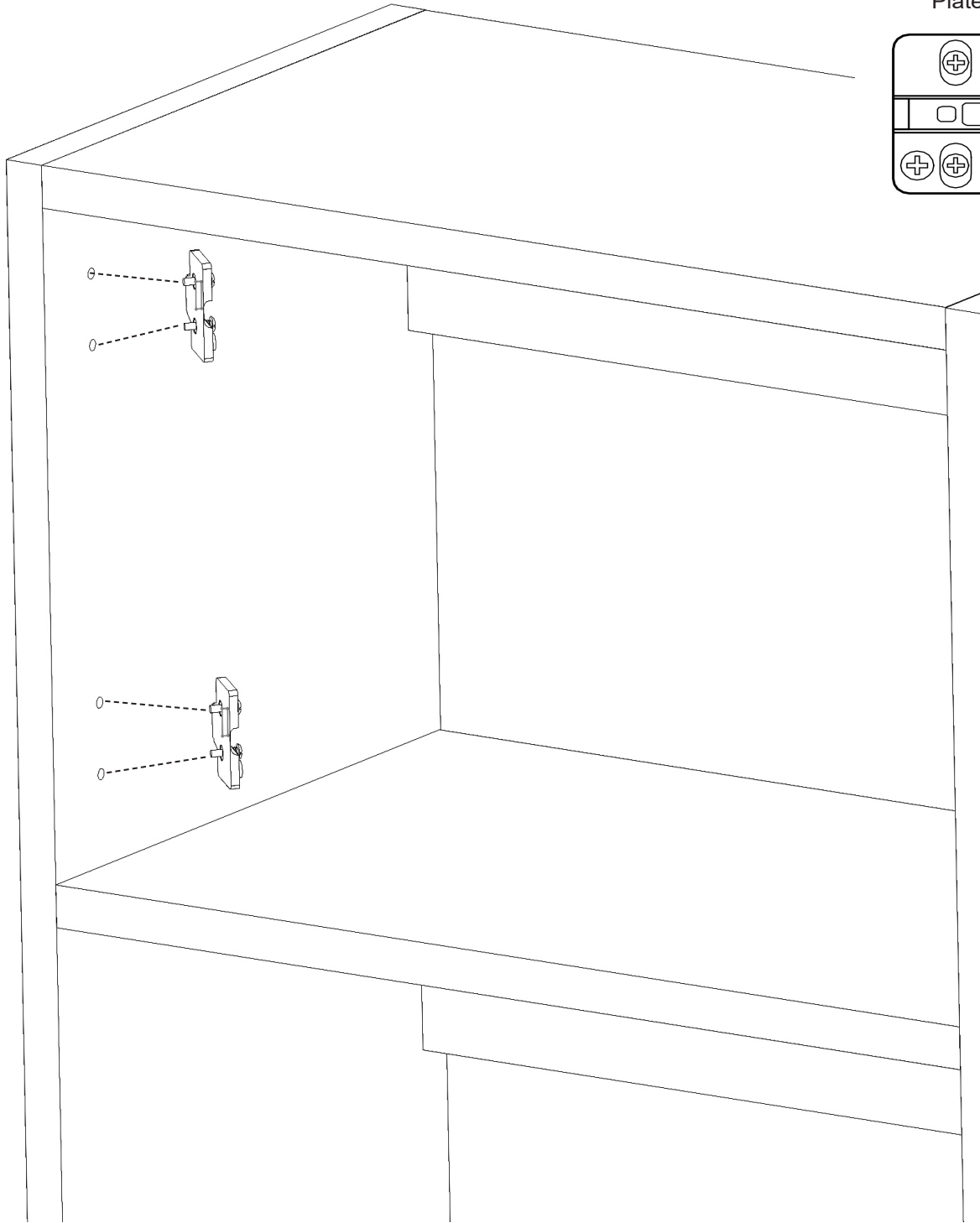
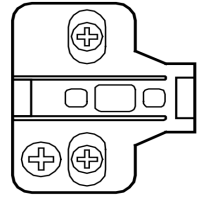
Hardware Packs Needed
ALT-HRDP-DO



Step 1

Take the hinge plate in the provided door hardware and line up the plate screws to fit into the top section of your choice.

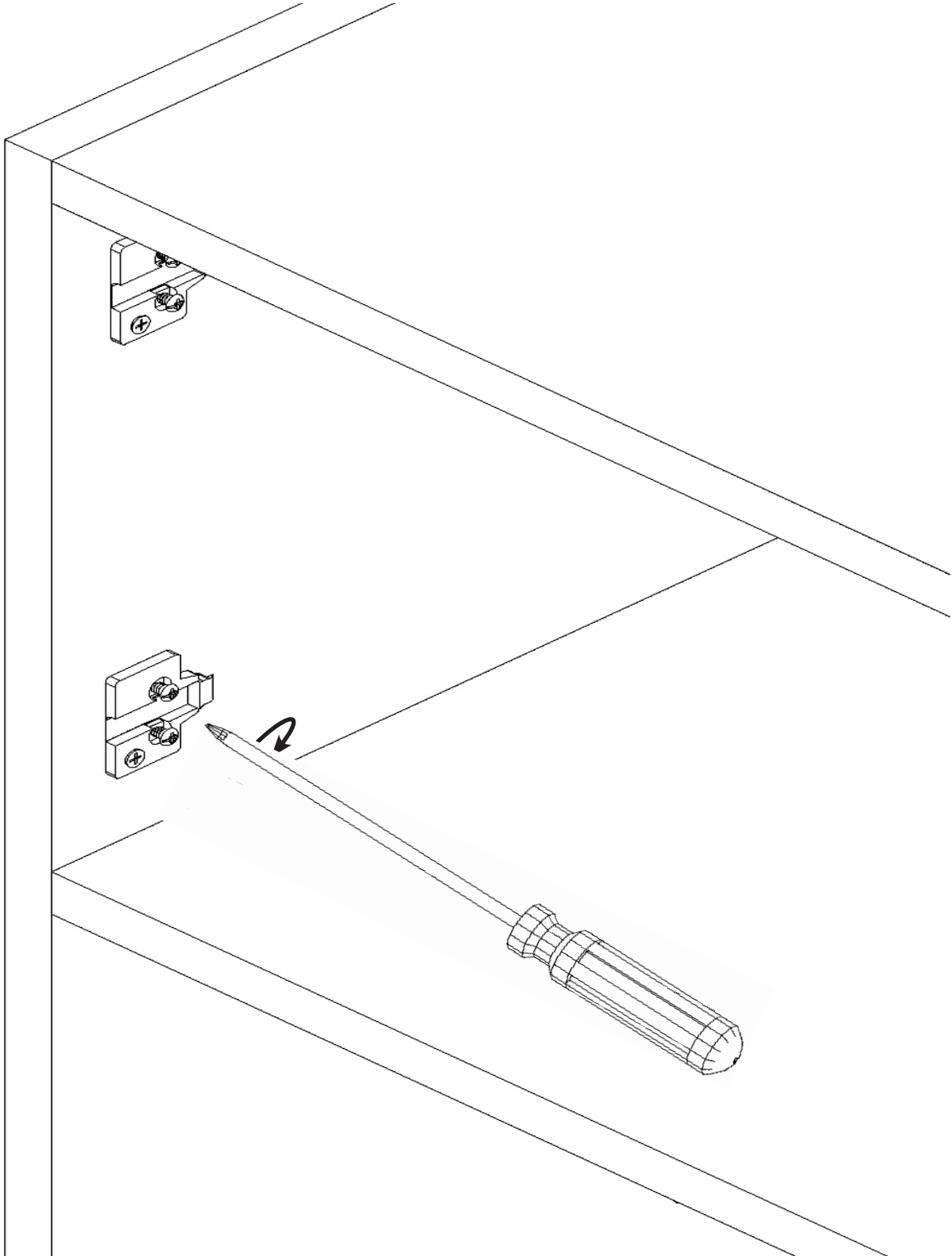
Plate





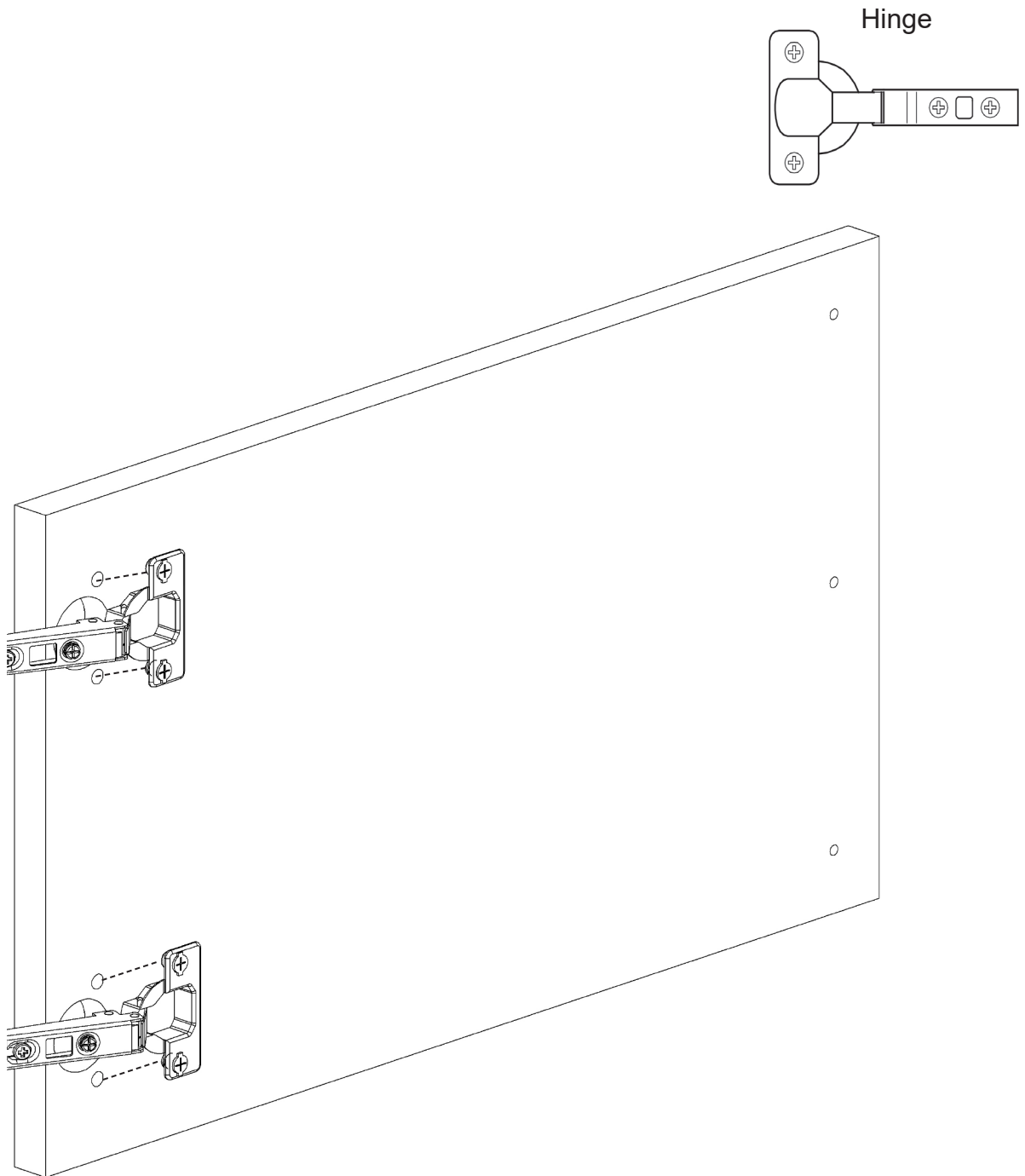
Step 2

Use screw driver to tighten hinge plates into the panel. Do not use a drill.



Step 3

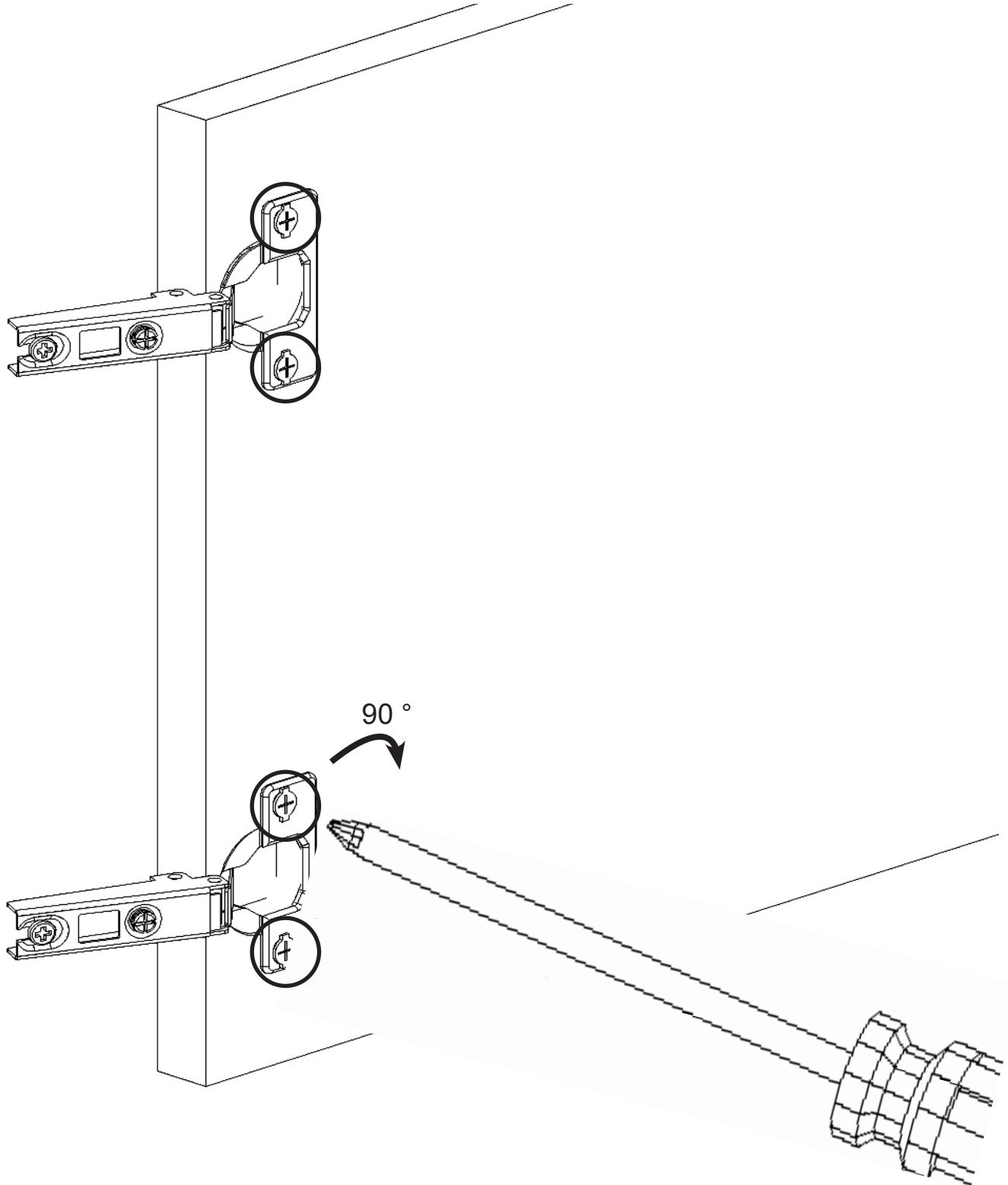
Slide door hinges from provided door hardware into the open slots of the doors.





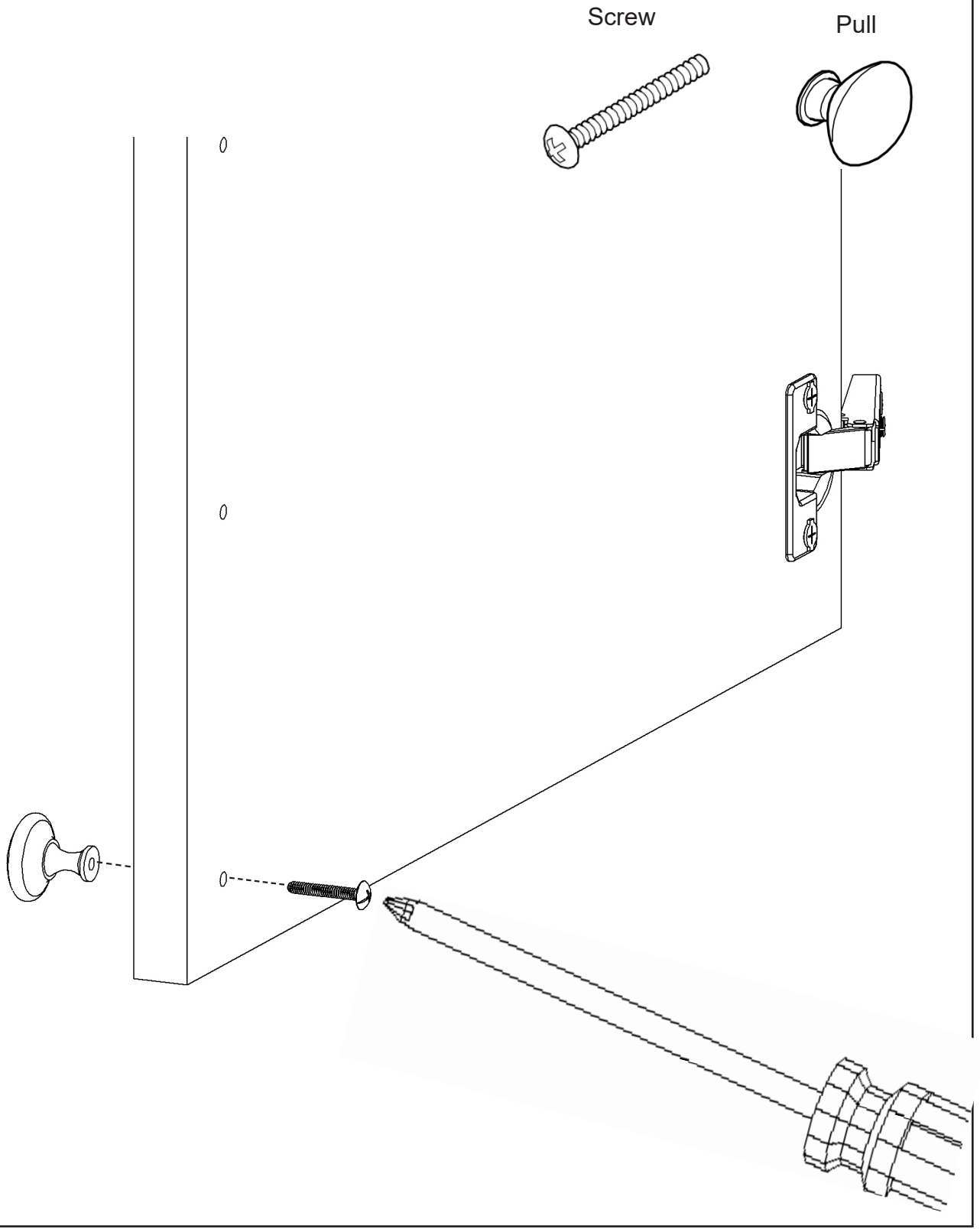
Step 4

Using a screwdriver tighten only the highlighted captive screws on the door hinges 90 ° clockwise to lock them in place. Do not use a drill.



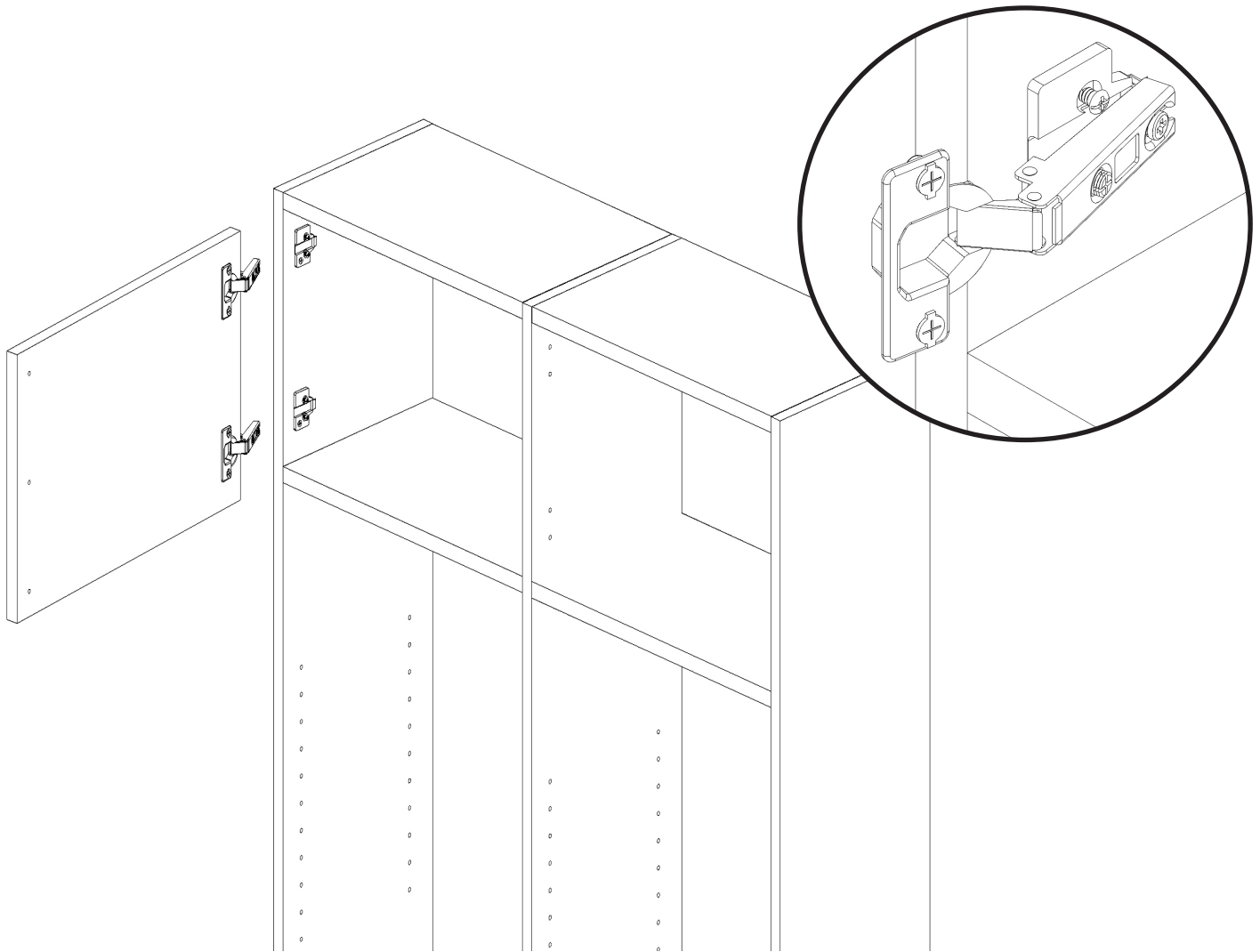
Step 4b (optional)

Install Door Knob by securing 1" screw into any of the pilot screws on the back of the door. You may have to use a drill bit to punch through hole.



Step 5

Snap the door hinge into the installed plate hinge on the side panel.

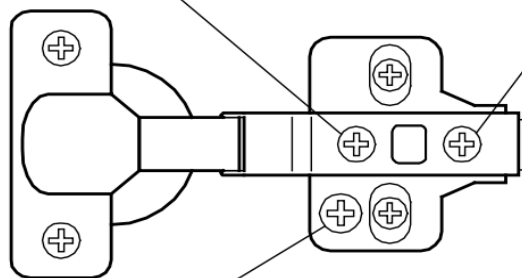


**ADJUSTS POSITION OF HINGE
IN OR OUT (DEPTH)**

**ADJUSTS POSITION OF
HINGE SIDE TO SIDE**

**PRESS TO RELEASE HINGE
FROM HINGE PLATE**

**ADJUSTS POSITION OF
HINGE UP AND DOWN**



Step 6

Repeat steps 1-5 for all remaining doors. Please note larger variants of the mudroom will use double doors for each top cubby.

