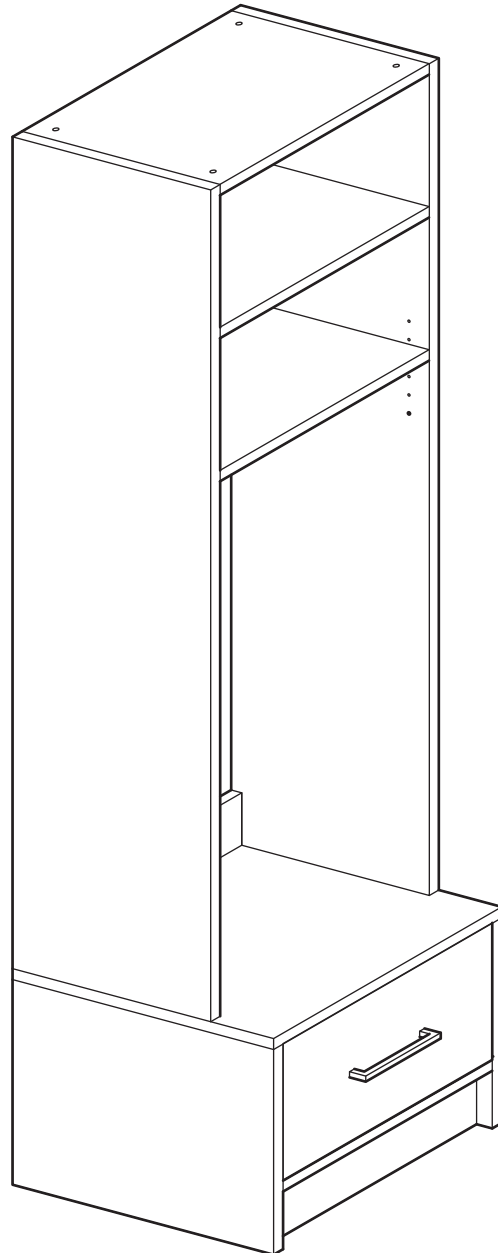


modular
closets.

support@modularclosets.com

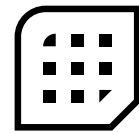
1-844-969-4247

MUDROOM



ASSEMBLY AND INSTALLATION INSTRUCTIONS

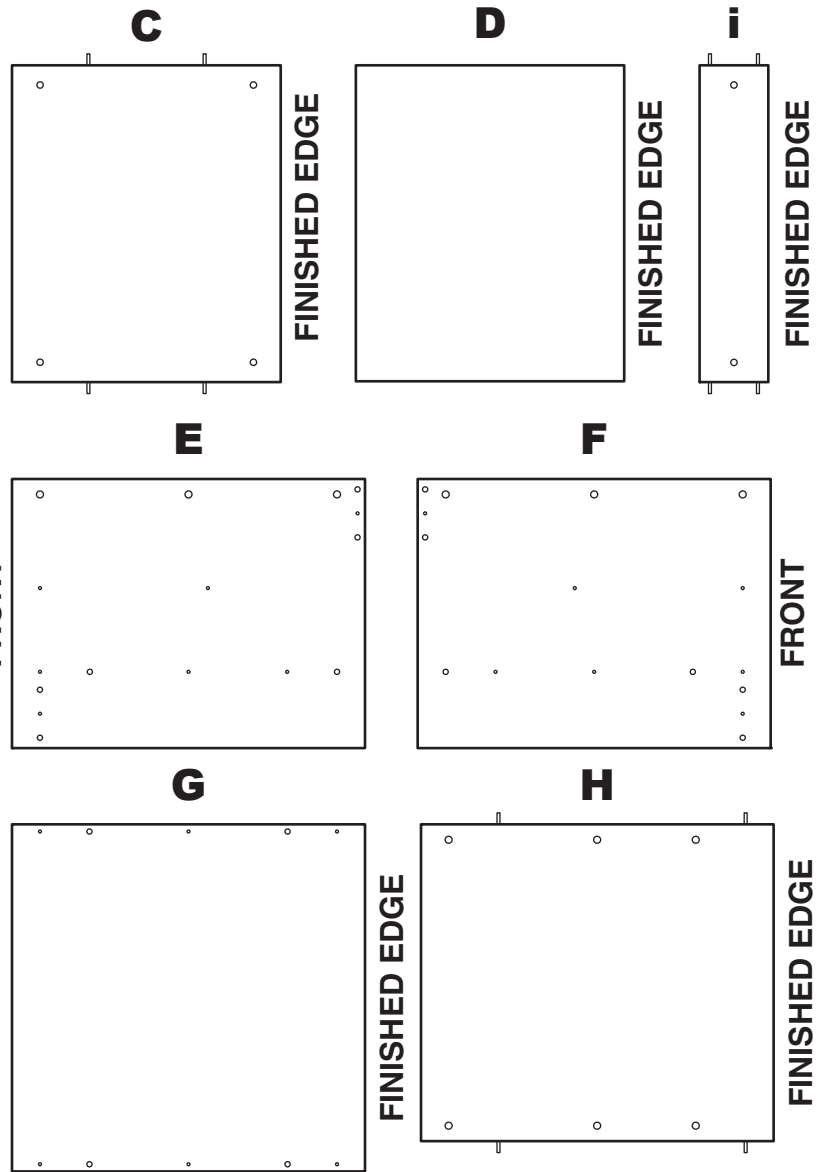
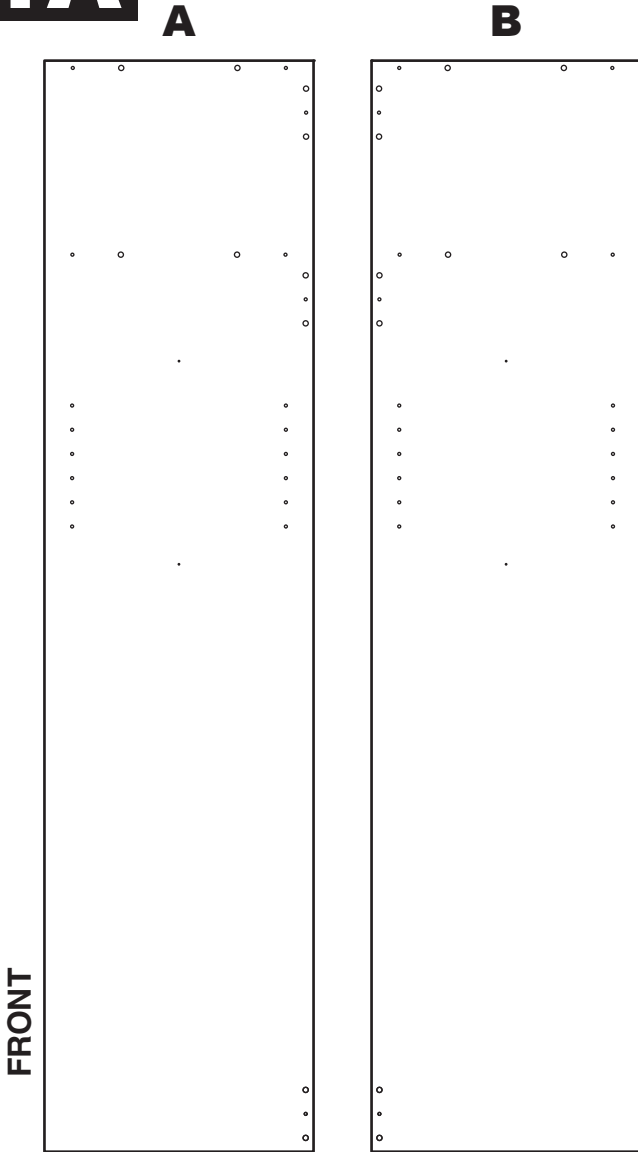
ASSEMBLY AND INSTALLATION INSTRUCTIONS MUDROOM



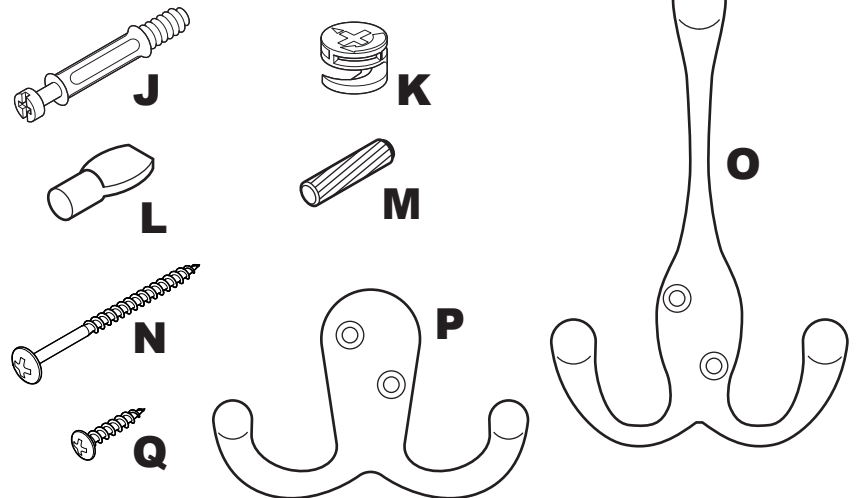
modular
closets.

1A

PARTS LIST



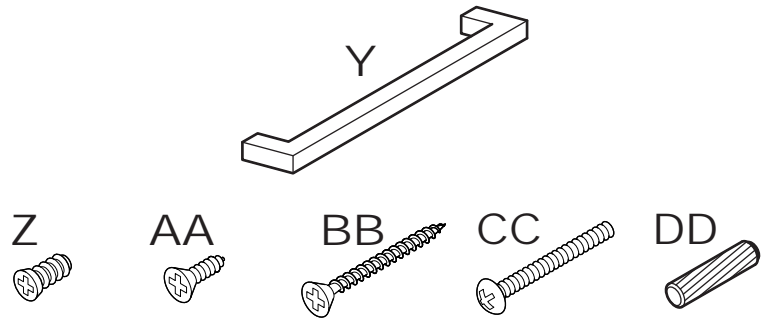
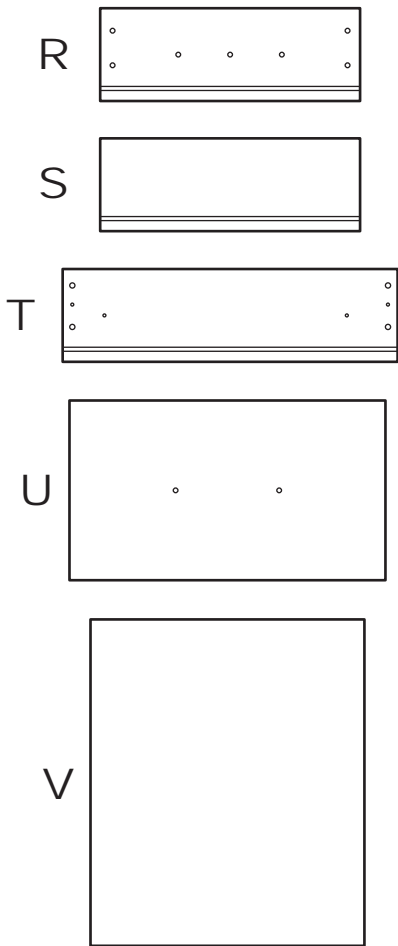
- A** Left Side Panel, Upper (Qty 1)
- B** Right Side Panel, Upper (Qty 1)
- C** Set Shelf, Upper (Qty 2)
- D** Adjustable Shelf, Upper (Qty 1)
- E** Left Side Panel, Bench (Qty 1)
- F** Right Side Panel, Bench (Qty 1)
- G** Top Shelf, Bench (Qty 1)
- H** Set Shelf, Bench (Qty 1)
- I** Cleat (Qty 5)
- J** Cam Post (Qty 30)
- K** Camlock (Qty 30)
- L** Shelf Pins (Qty 4)
- M** Wood Dowel, 8mm (Qty 8)
- N** Screw, 2.5" (Qty 2)
- O** Hook, 3-Prong (Qty 2)
- P** Hook, 2-Prong (Qty 1)
- Q** Screw, 0.75" (Qty 6)



ASSEMBLY AND INSTALLATION INSTRUCTIONS MUDROOM



1B



PARTS LIST

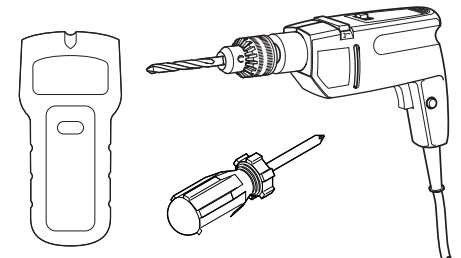
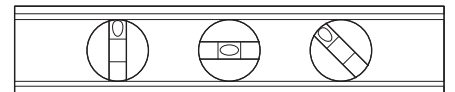
- R Drawer Panel, Front (Qty 1)
- S Drawer Panel, Rear Qty (1)
- T Drawer Panel, Side (Qty 2)
- U Drawer Front (Qty 1)
- V Drawer Bottom (Qty 1)
- W Drawer Slide (Qty 2)
- X Shelf Slide (Qty 2)
- Y Drawer Handle (Qty 1)
- Z Euro Screw, 5/8" (Qty 2)
- AA Screw, 5/8" (Qty 2)
- BB Screw, 1" (Qty 18)
- CC Screw, 1.5" (Qty 6)
- DD Wood Dowel, 6mm (Qty 24)

1C

- 1.1 Lay parts out on a protective surface to prevent damage. **Tip:** Spread out the cardboard packaging to use as a protective surface.
- 1.2 Inventory parts against the Parts List. Make sure all parts are present before proceeding.

TOOLS REQUIRED (not included unless noted)

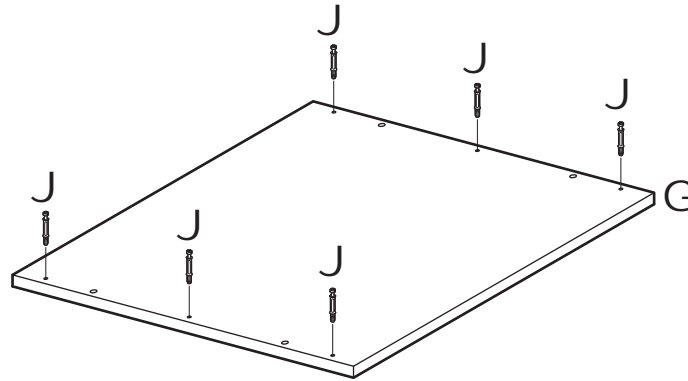
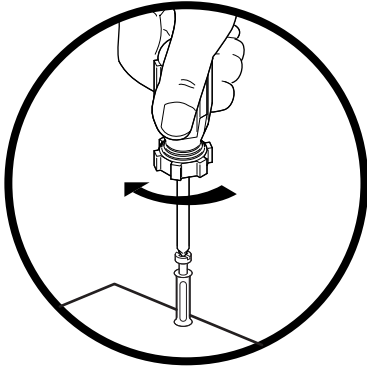
Level
Stud Finder
Drill, 5/32" bit size
Phillips Screwdriver



ASSEMBLY AND INSTALLATION INSTRUCTIONS MUDROOM

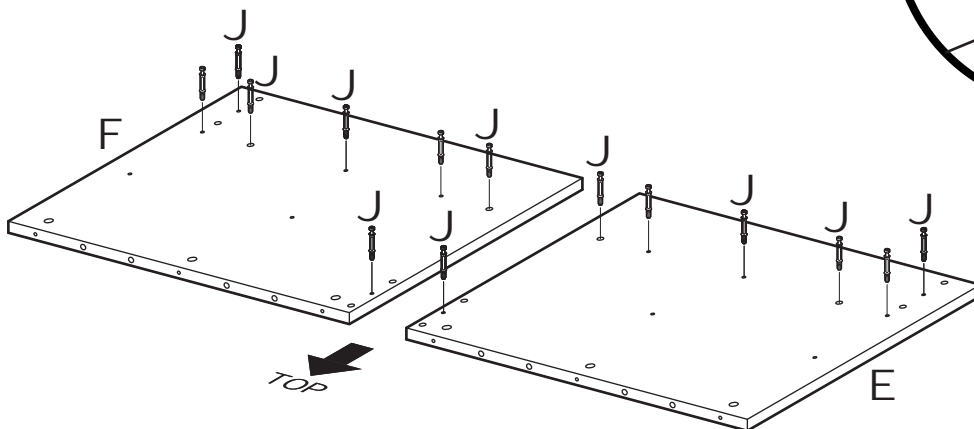
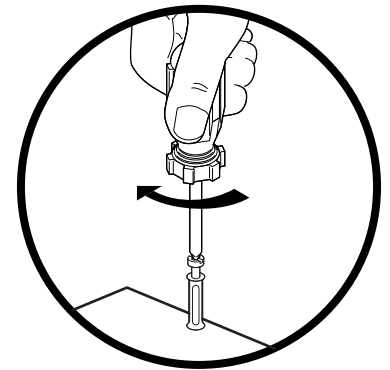


2



2.1 Install one Cam Post (J) into each of the 6 holes on Bench Top Shelf (G). Tighten until Cam Posts are seated against Top Shelf.

3



3.1 Install one Cam Post (J) into each of the five holes on Bench Left Side Panel (E) and Bench Right Side Panel (F). Tighten until Cam Posts are seated against Side Panels.

ASSEMBLY AND INSTALLATION INSTRUCTIONS MUDROOM



4

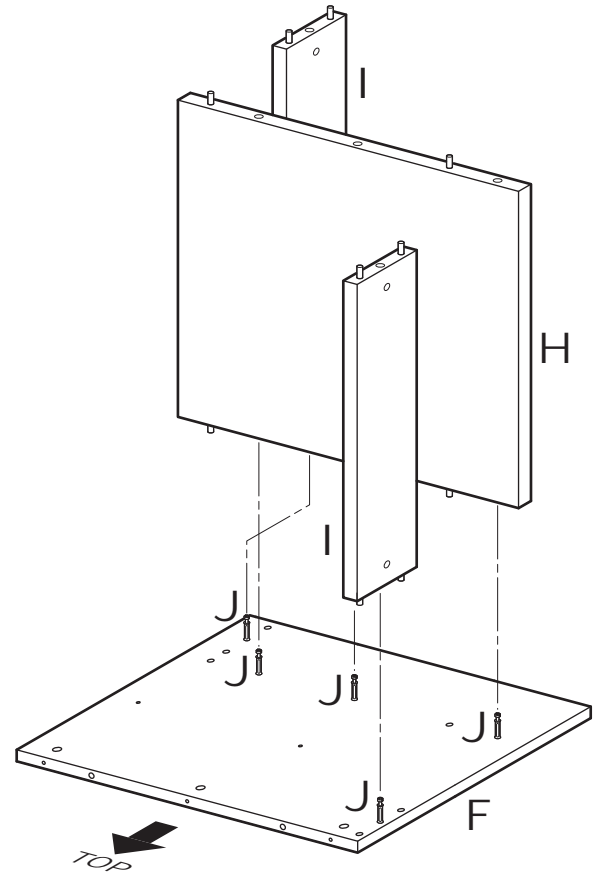
- 4.1 Assemble Bench Set Shelf (H), and two Cleats (I) onto Bench Right Side Panel (F) by sliding the Shelf and Cleats onto Cam Posts (J) on Right Side Panel. BE SURE dowel pins in Shelf and Cleats engage drilled holes in Right Side Panel, and all parts are pressed flush against Panel.

IMPORTANT NOTES

Install Bench Set Shelf (H) with finished edge facing forward (toward front of unit) and holes for Cam Locks facing down (toward the bottom of the unit).

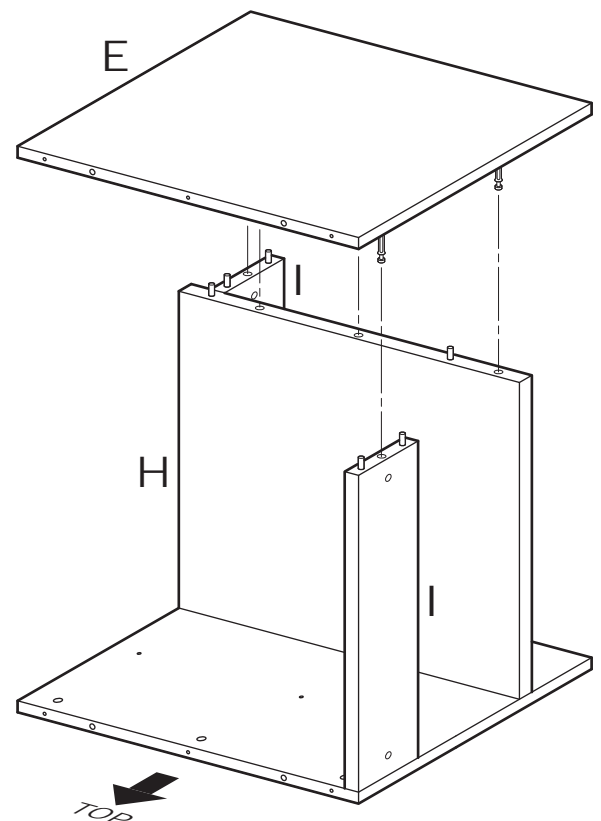
Install lower Cleat (I) with holes for Cam Locks facing the rear of the unit and the unfinished edge against Set Shelf (H).

Install upper Cleat (H) with holes for Cam Locks facing the rear of the unit and the unfinished edge facing the top of the unit.



5

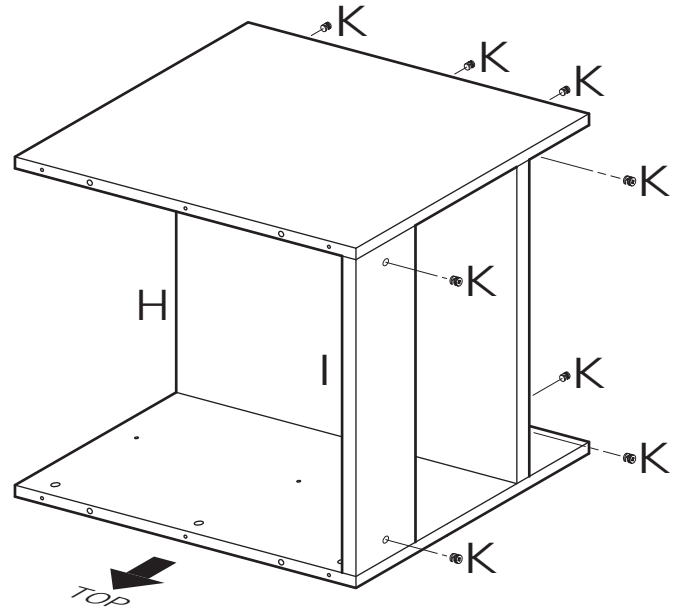
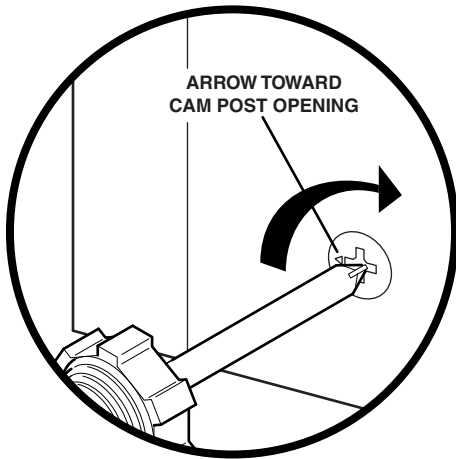
- 5.1 Install Bench Left Side Panel (E) onto assembled Set Shelf (H) and Cleats (I). BE SURE dowel pins in Shelf and Cleats engage drilled holes in Side Panel, and Side Panel is pressed flush against Set Shelf and Cleats.



ASSEMBLY AND INSTALLATION INSTRUCTIONS MUDROOM

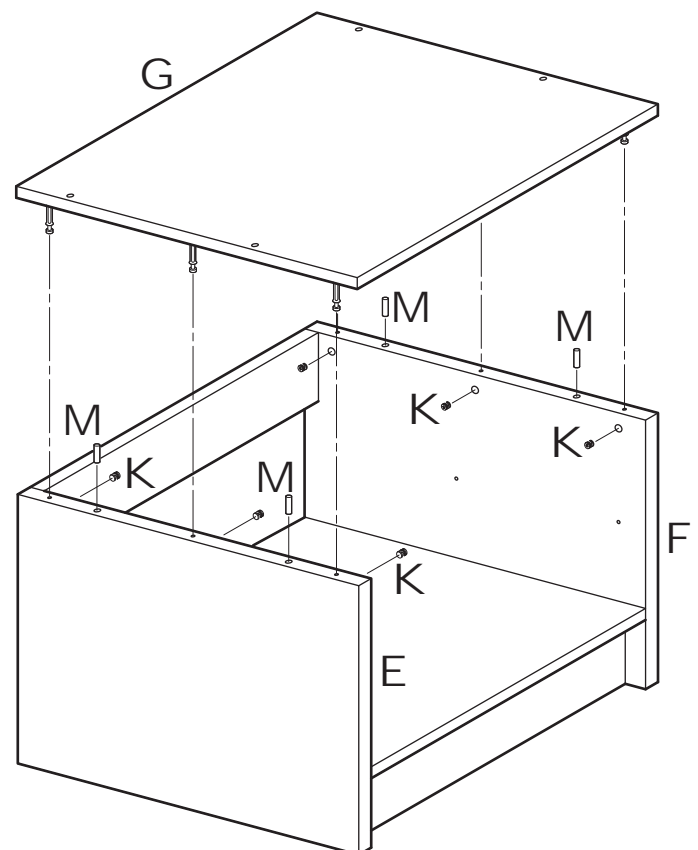
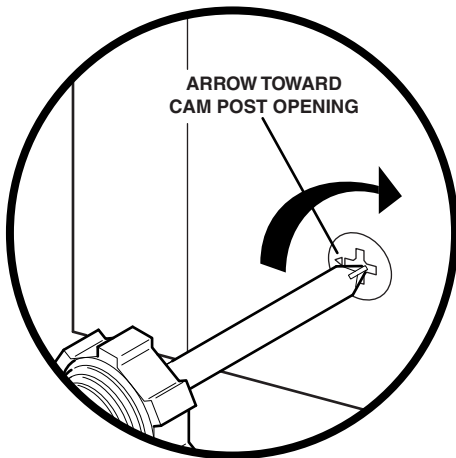


6



- 6.1 Insert Camlocks (K) in holes in Bench Set Shelf (H) and two Cleats (I) with arrow pointing toward Cam Post opening. Be sure Camlocks engage Cam Posts, and are fully seated in Shelf and Cleats.
- 6.2 Tighten Camlocks (K) clockwise to lock.

7

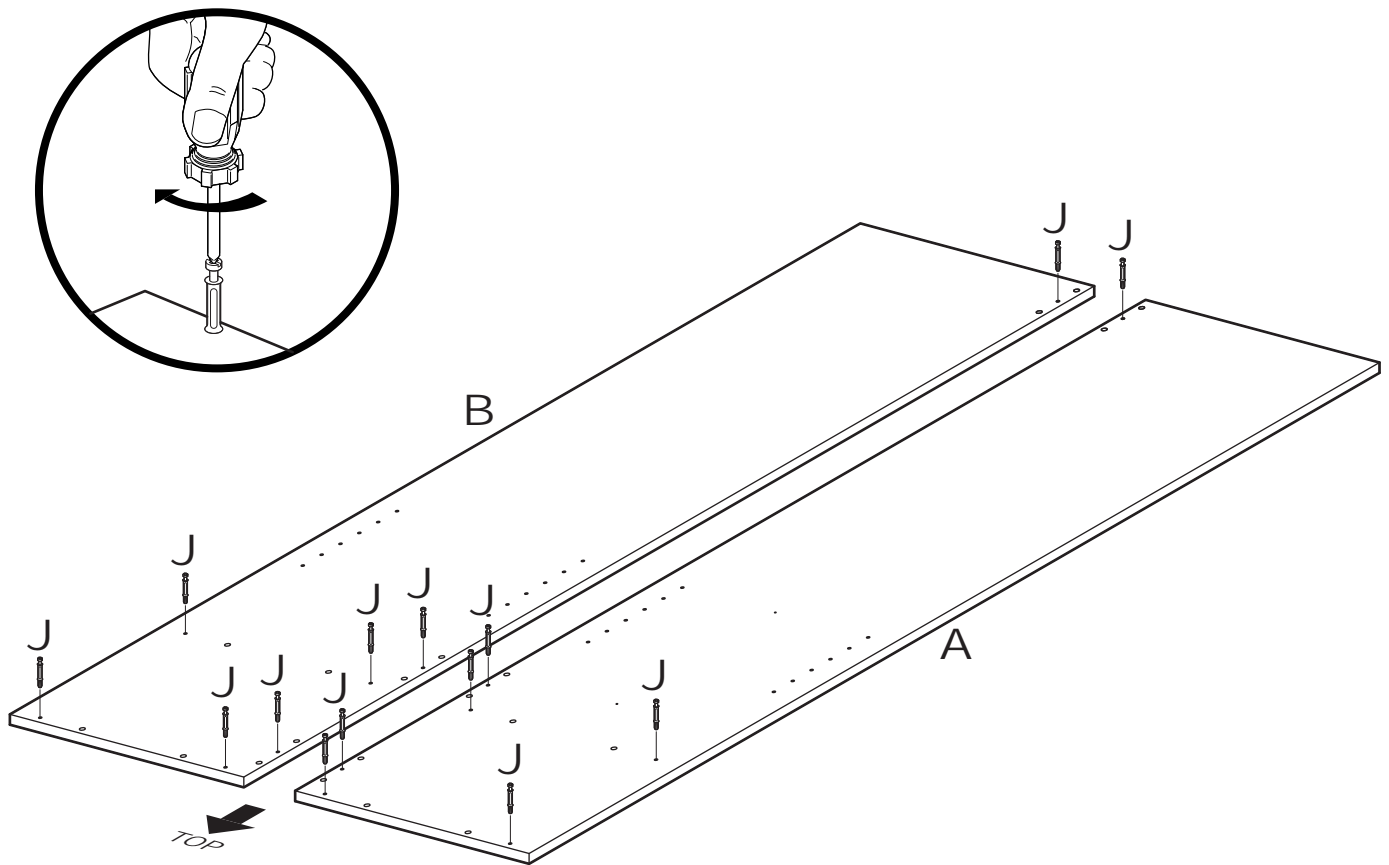


- 7.1 Insert four Wood Dowels (M) into holes in of Bench Left Side Panel (E) and Base Right Side Panel (F).
- 7.2 Install Bench Top Shelf (G) onto assembled Base. BE SURE Wood Dowels in Left Side Panel (E) and Right Side Panel (F) engage drilled holes in Top Shelf, and Top Shelf is pressed flush against Side Panels and Cleat (I).
- 7.3 Insert Camlocks (K) in holes in Bench Left Side Panel (E) and Bench Right Side Panel (F). BE SURE Camlocks engage Cam Posts, and are fully seated in Side Panels. Tighten Camlocks (K) clockwise to lock.

ASSEMBLY AND INSTALLATION INSTRUCTIONS MUDROOM



8

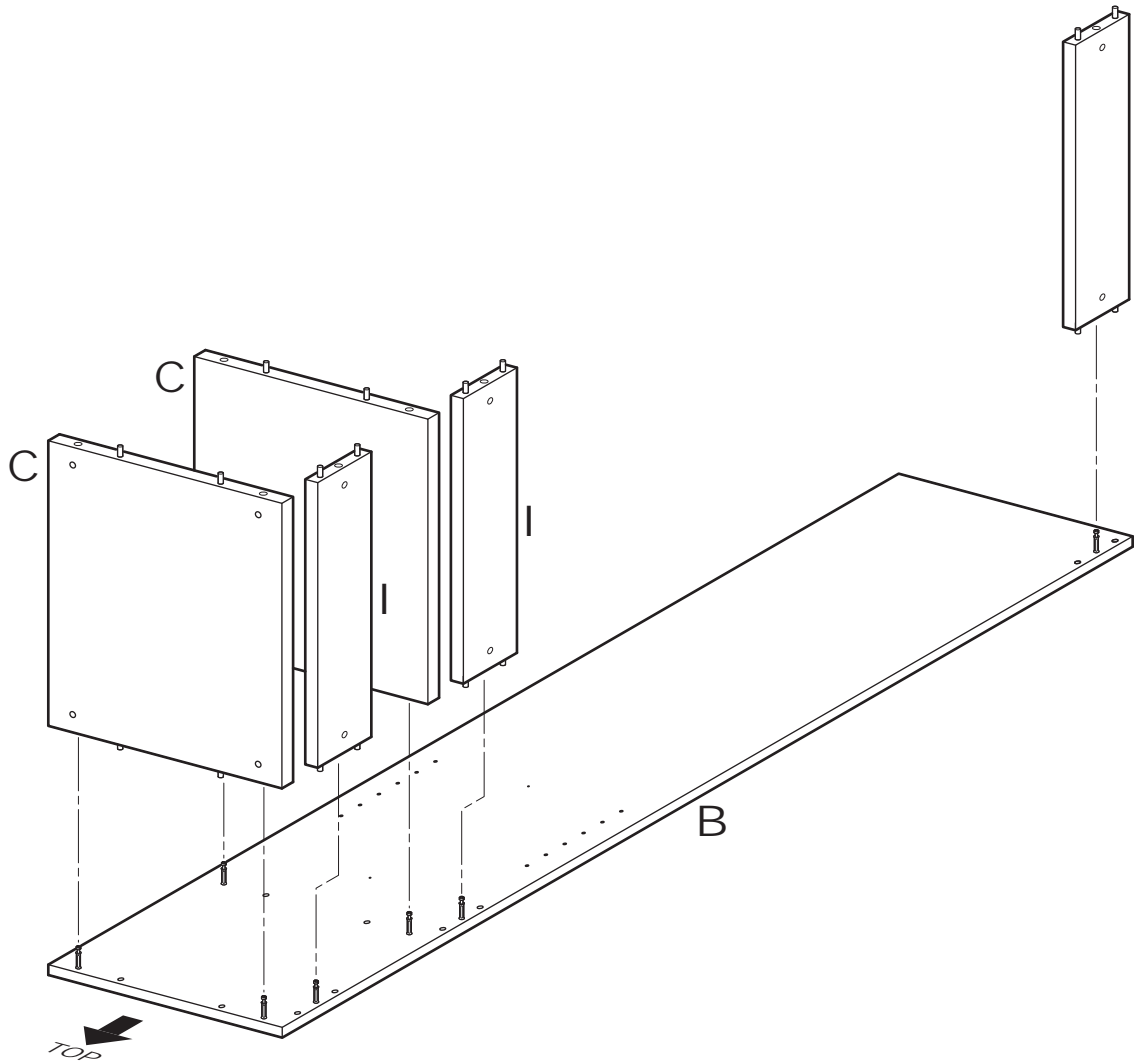


- 8.1 Install one Cam Post (J) into each of the 7 holes on Upper Left Side Panel (A) and Upper Right Side Panel (B). Tighten until Cam Posts are seated against Side Panels.

ASSEMBLY AND INSTALLATION INSTRUCTIONS MUDROOM



9



- 9.1 Assemble Upper Set Shelves (C) and Cleats (I) onto Upper Right Side Panel (B) by sliding the Shelves and Cleats onto Cam Posts (J) on Right Side Panel. BE SURE dowel pins in Shelves and Cleats engage drilled holes in Right Side Panel, and all parts are pressed flush against Panel.

IMPORTANT NOTES

Install the top Set Shelf (C) with finished edge facing forward (toward front of unit) and holes for Cam Locks facing the top of the unit.

Install the lower Set Shelf (C) with finished edge facing forward (toward front of unit) and holes for Cam Locks facing the bottom of the unit.

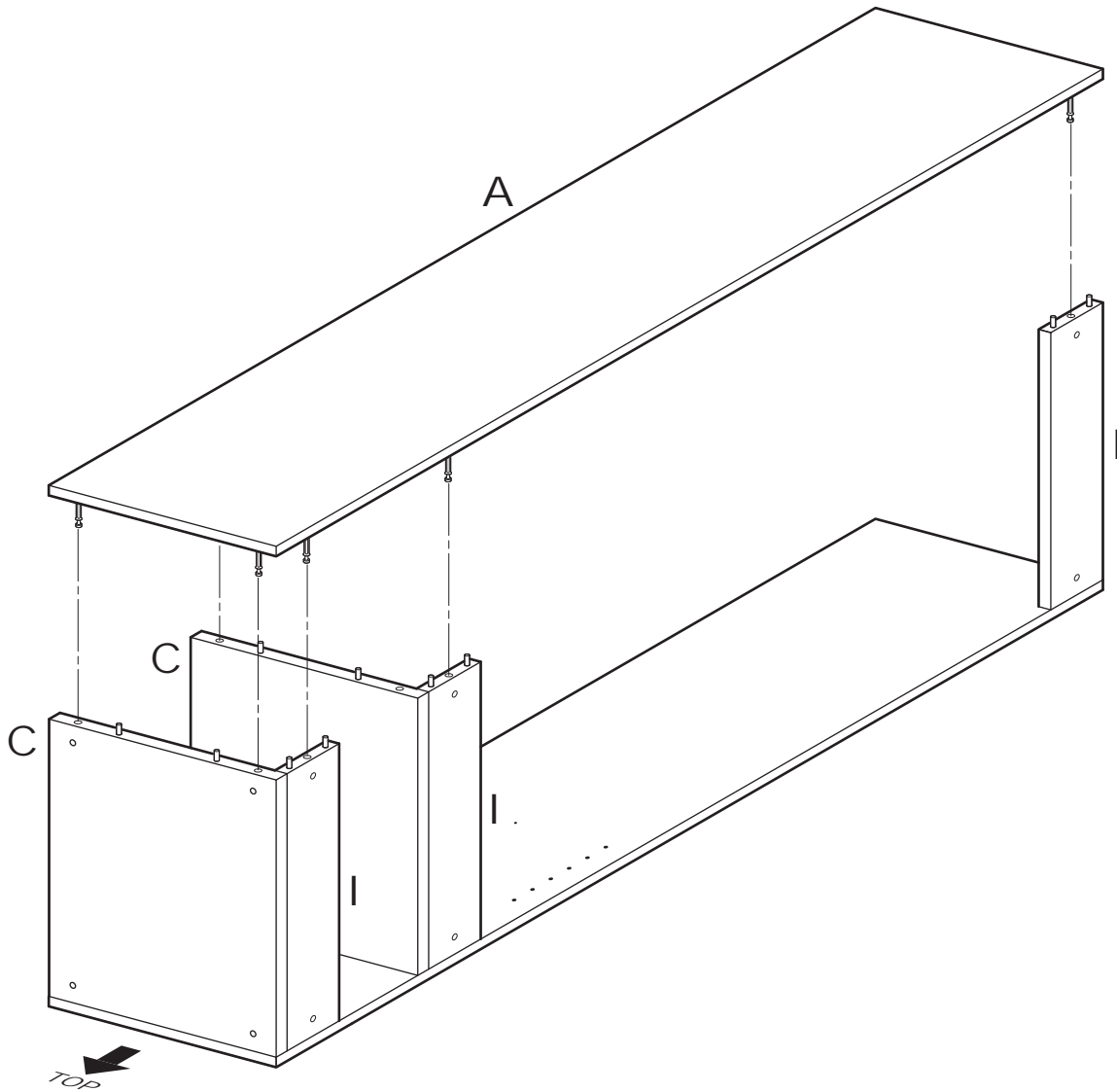
Install upper Cleats (I) with holes for Cam Locks facing the rear of the unit and unfinished edges against Set Shelves (C).

Install lower Cleat (I) with holes for Cam Locks facing the rear of the unit and the unfinished edge facing the bottom of the unit.

ASSEMBLY AND
INSTALLATION INSTRUCTIONS
MUDROOM



10

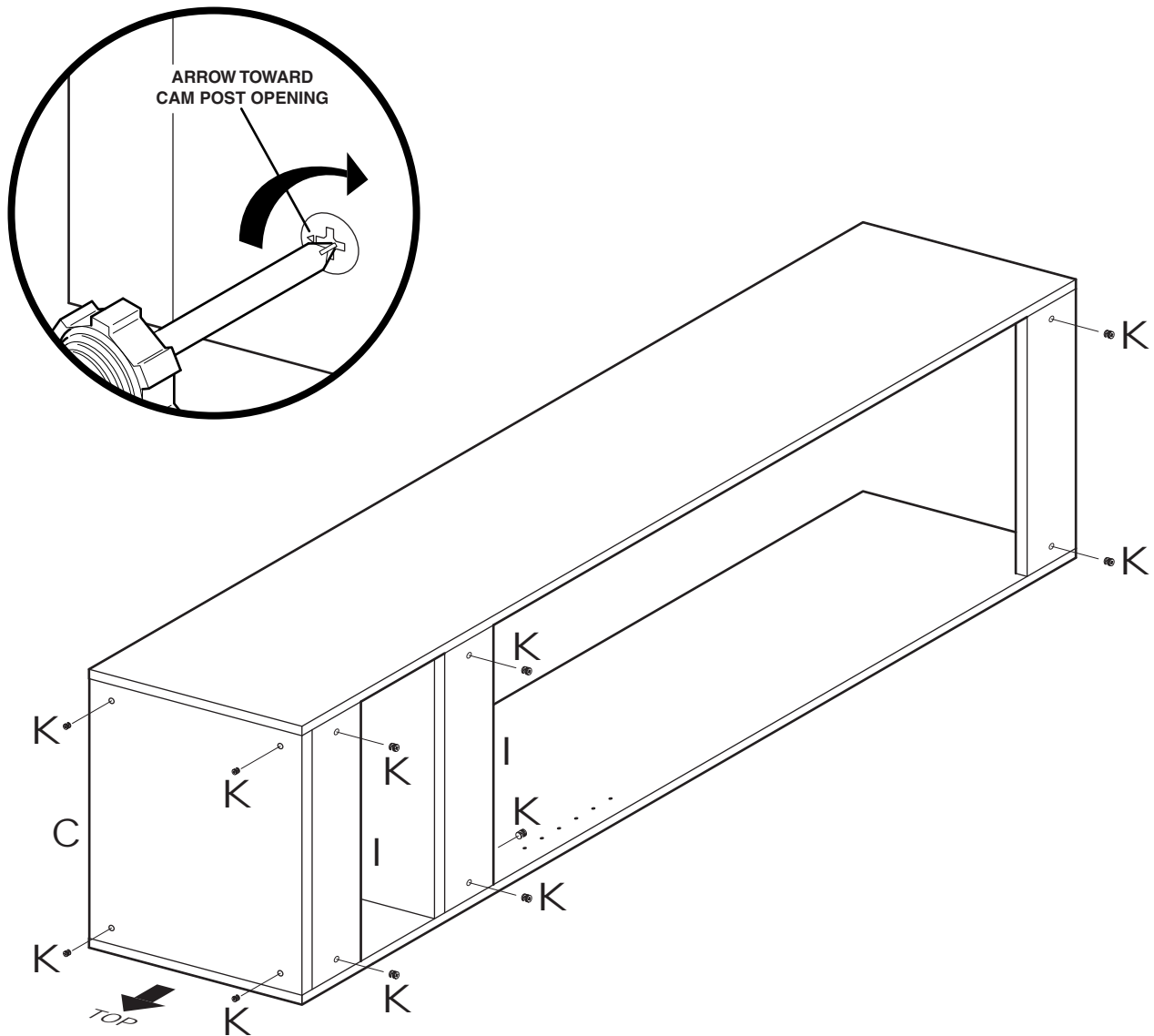


10.1 Install Upper Left Side Panel (A) onto assembled Set Shelf (C) and CleatS (I). BE SURE dowel pins in Shelves and Cleats engage drilled holes in Side Panel, and Side Panel is pressed flush against Shelves and Cleats.

ASSEMBLY AND INSTALLATION INSTRUCTIONS MUDROOM



11

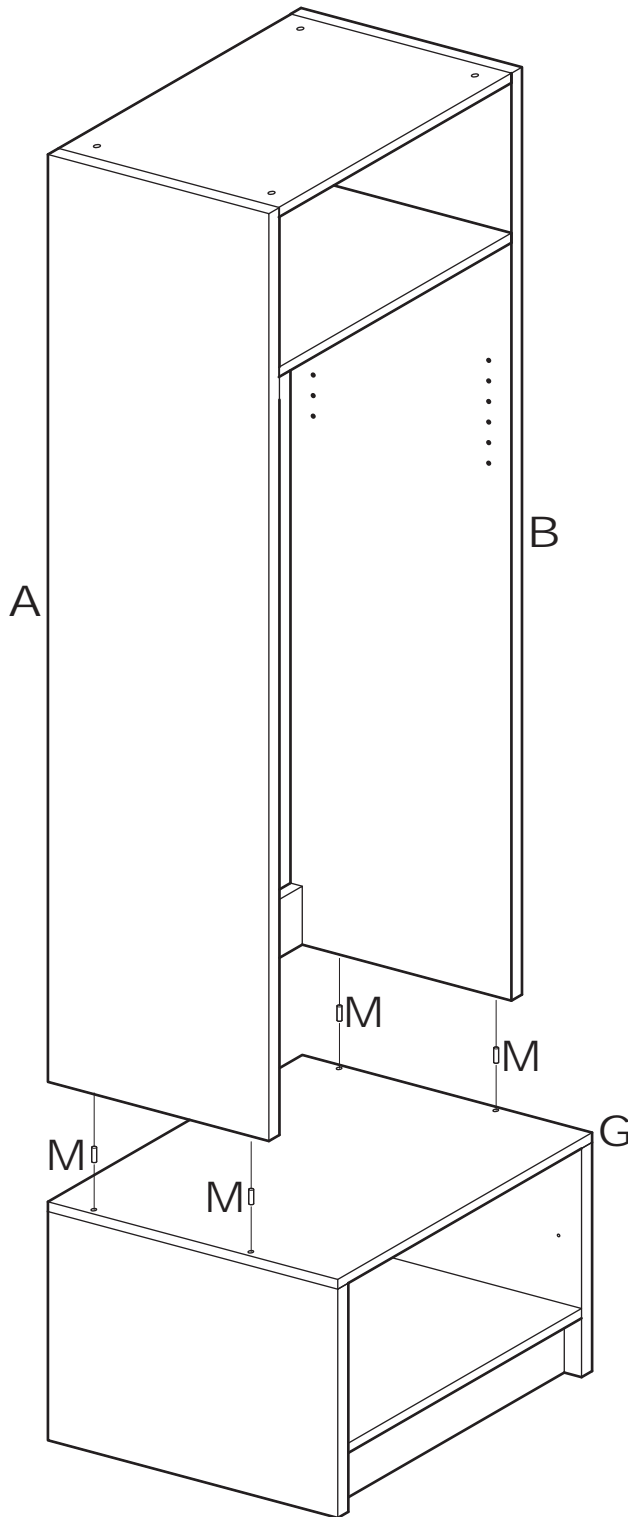


- 11.1 Insert Camlocks (K) in holes in Set Shelves (C) and Cleats (I) with arrow pointing toward Cam Post opening. Be sure Camlocks engage Cam Posts, and are fully seated in Shelf and Cleats.
- 11.2 Tighten Camlocks (K) clockwise to lock.

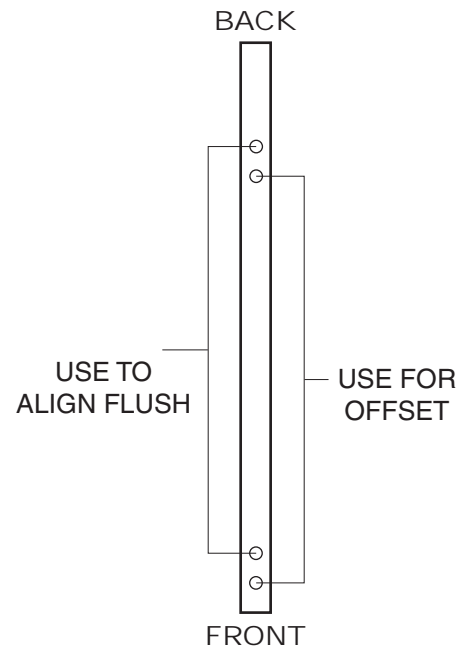
ASSEMBLY AND INSTALLATION INSTRUCTIONS MUDROOM



12



Upper Side Panel



12.1 Insert four Wood Dowels (M) into holes in edges of Upper Left Side Panel (A) and Upper Right Side Panel (B).

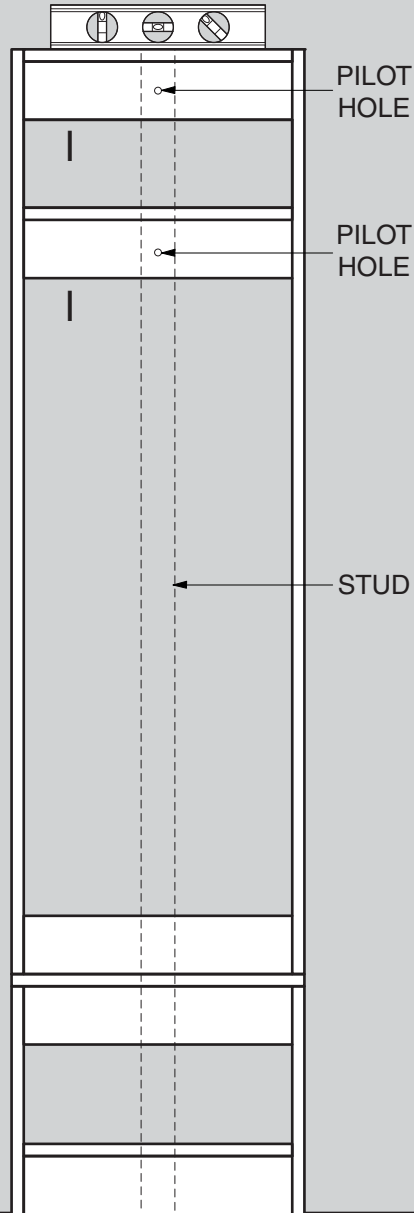
Note: There are two pairs of holes in each Side Panel; one pair for flush alignment of the Upper Shelf and Bench, and one pair to offset the Upper Shelf when necessary to accommodate a baseboard. BE SURE to install Wood Dowels (M) in the appropriate holes for your installation.

12.2 Install assembled Upper Shelf onto assembled Bench. BE SURE dowel pins in Upper Left Side Panel (A) and Upper Right Side Panel (B) engage drilled holes in Bench Top Shelf (G), and Upper Shelf is pressed flush against Bench.

ASSEMBLY AND INSTALLATION INSTRUCTIONS MUDROOM



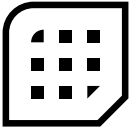
13



INSTALLATION

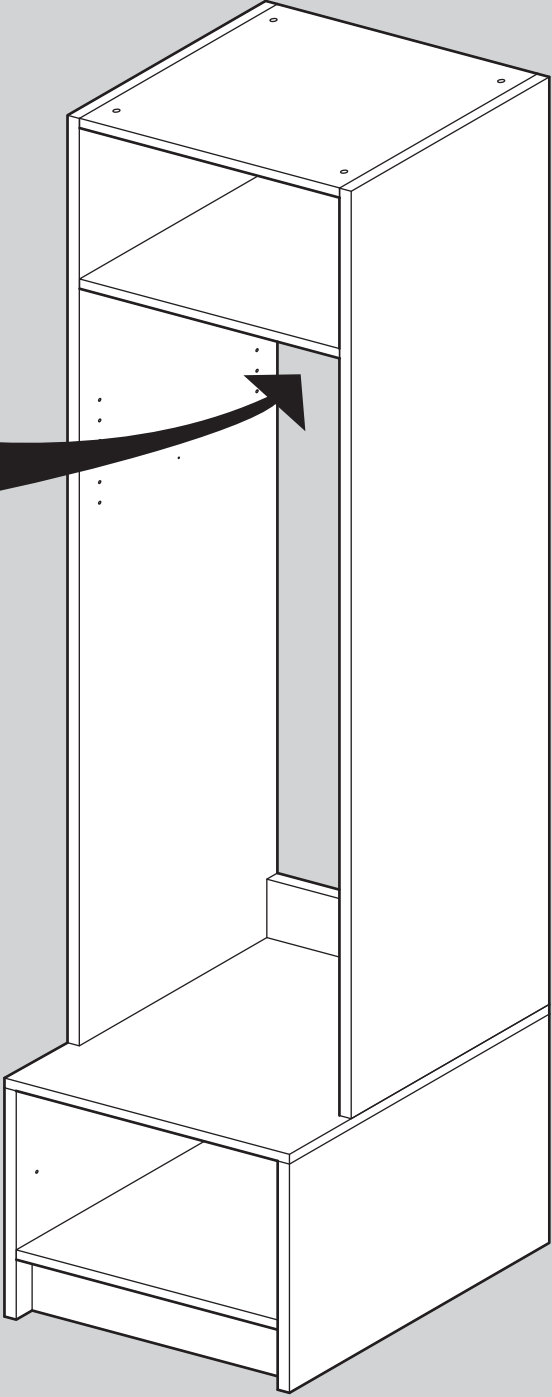
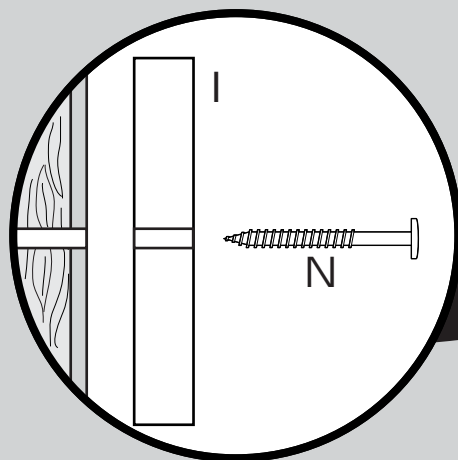
- 13.1 Determine the mounting location for the unit.
- 13.2 Using a stud finder, locate the studs to which the unit will be secured. Mark the stud location with a pencil.
- 13.3 With the unit positioned at the desired location, level the unit, then drill pilot holes through top two Cleats (I).

ASSEMBLY AND INSTALLATION INSTRUCTIONS MUDROOM



modular
closets.

14

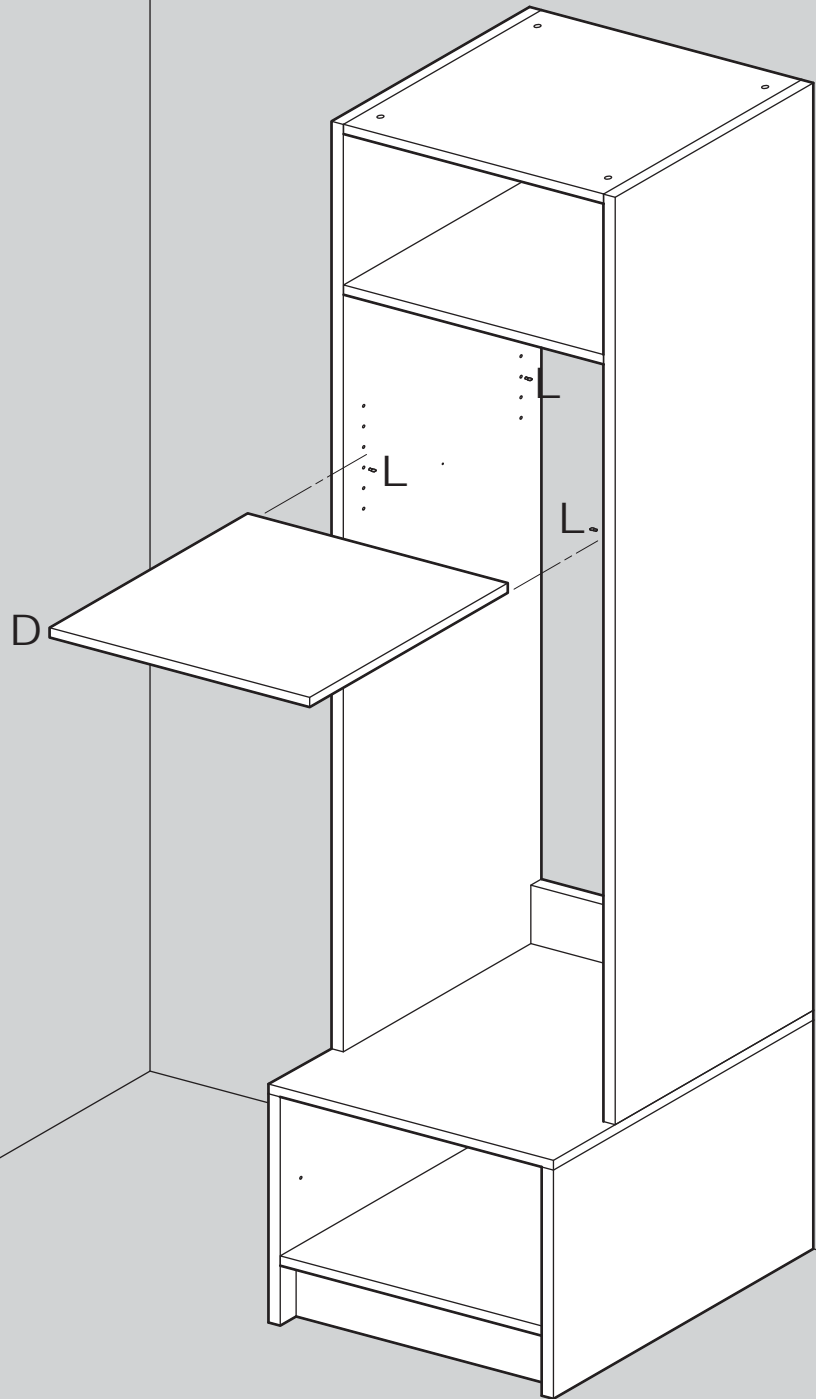


14.1 Secure two top Cleats (I) to stud using two 2.5" screws (N).

ASSEMBLY AND
INSTALLATION INSTRUCTIONS
MUDROOM



15



Installation of Adjustable Shelf (D) is optional. If desired, install Adjustable Shelf as follows:

15.1 Insert 4 Shelf Pins (L) into pin holes at the desired heights.

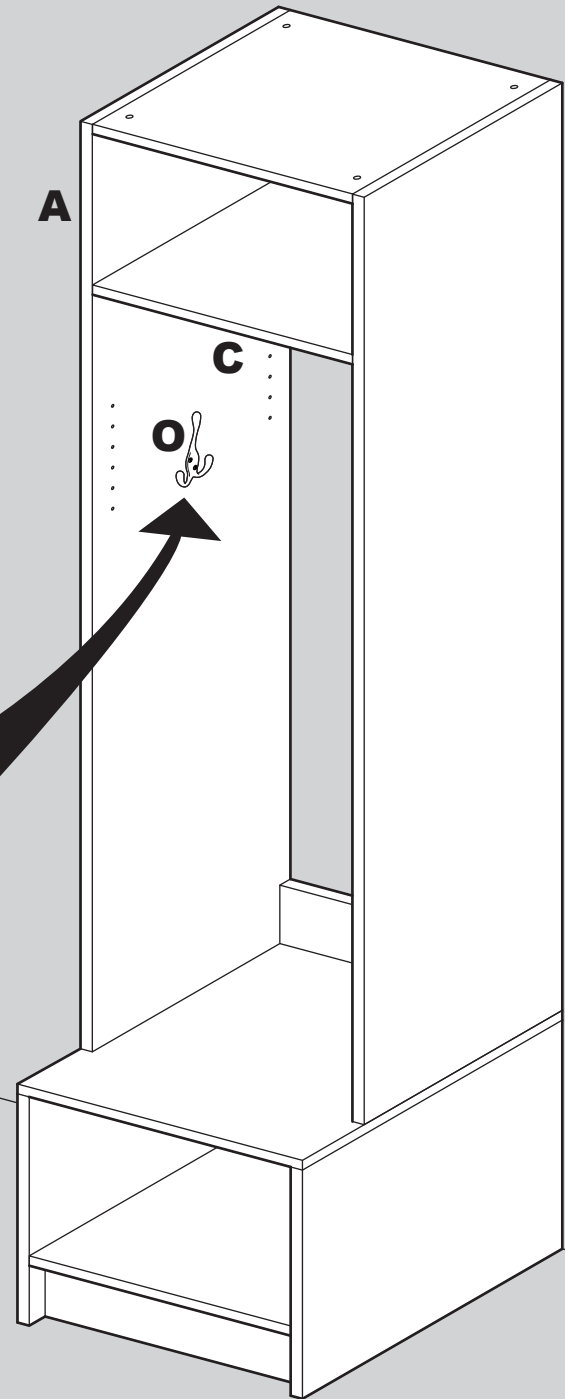
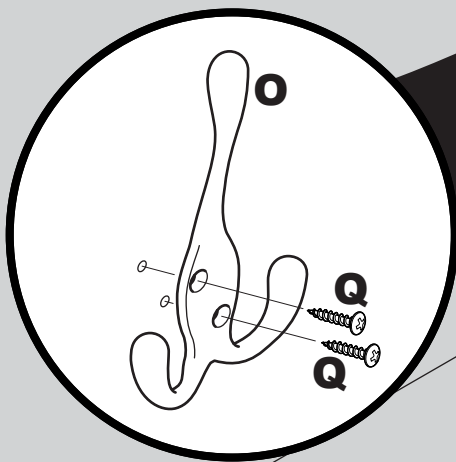
15.2 Rest Adjustable Shelf (D) on Shelf Pins (L).

ASSEMBLY AND INSTALLATION INSTRUCTIONS MUDROOM



16

TYPICAL HOOK INSTALLATION



- 16.1** Installation of Hooks (O, P) is optional. If desired, install Hooks at one or more of the following locations:
- Install one or two 3-Prong Hooks (O) on Upper Left Side Panel (A). (Dimples on the vertical centerline of the Side Panel show the recommended placement for the Hooks.)
 - Install one 2-Prong Hook (P) at the desired location on Cleat (I) below Upper Set Shelf (C).

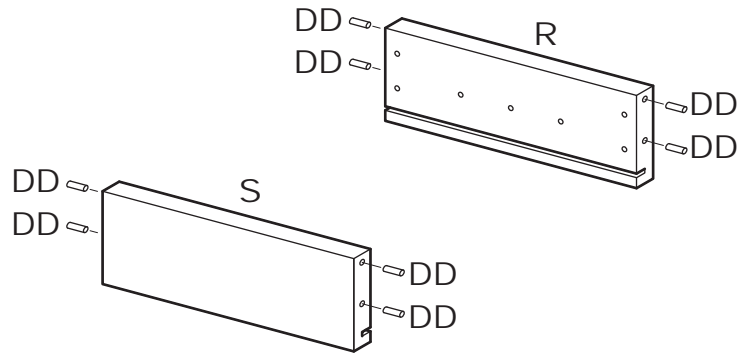
- 16.2** Drill two pilot holes for each Hook (O, P) at the desired mounting location(s), then secure each Hook with two 0.75" Screws (Q).

Note: In cases where Adjustable Shelf (D) is installed (see step 15), install Hooks (O, P) on Upper Left Side Panel (A) and/or Upper Right Side Panel (B) at locations below the Shelf.

ASSEMBLY AND INSTALLATION INSTRUCTIONS MUDROOM

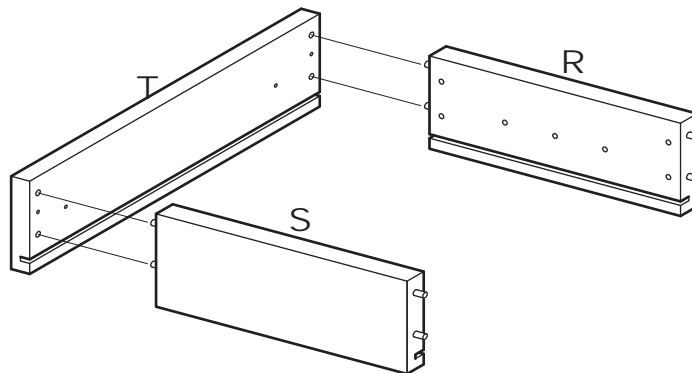


17



17.1 Insert Wood Dowels (DD) into holes in ends of Front Drawer Panel (R) and Rear Drawer Panel (S).

18

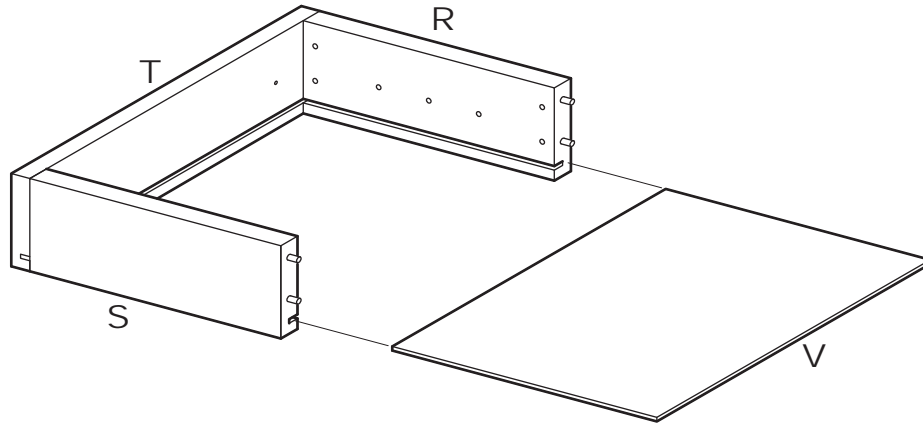


18.1 Align Wood Dowels in Front Drawer Panel (R) and Rear Drawer Panel (S) with holes in one Side Drawer Panel (T), and press components together until flush.

ASSEMBLY AND INSTALLATION INSTRUCTIONS MUDROOM



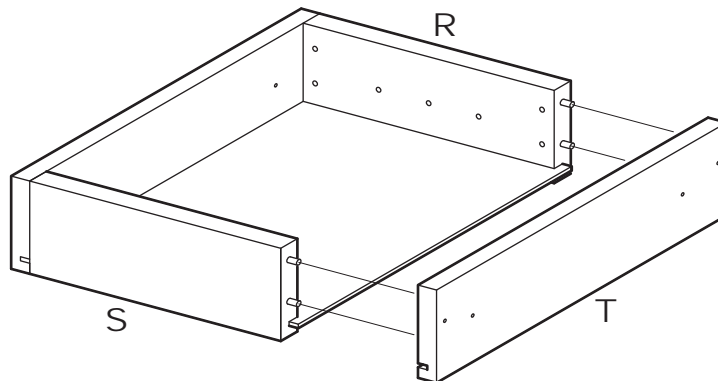
19



NOTE: Be sure to install Drawer Bottom (V) with finished side facing up.

- 19.1 Align Drawer Bottom (V) with slots in Front Drawer Panel (R) and Rear Drawer Panel (S), then slide Drawer Bottom into assembled Drawer Panels until Drawer Bottom is seated against Side Drawer Panel (T).

20

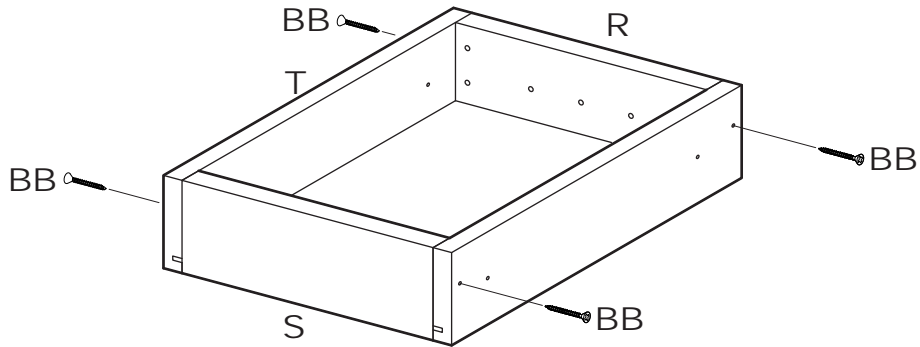


- 20.1 Align Side Drawer Panel (T) with Wood Dowels in Front Drawer Panel (R) and Rear Drawer Panel (S) and press Side Drawer Panel (T) onto assembled components until flush.

ASSEMBLY AND INSTALLATION INSTRUCTIONS MUDROOM

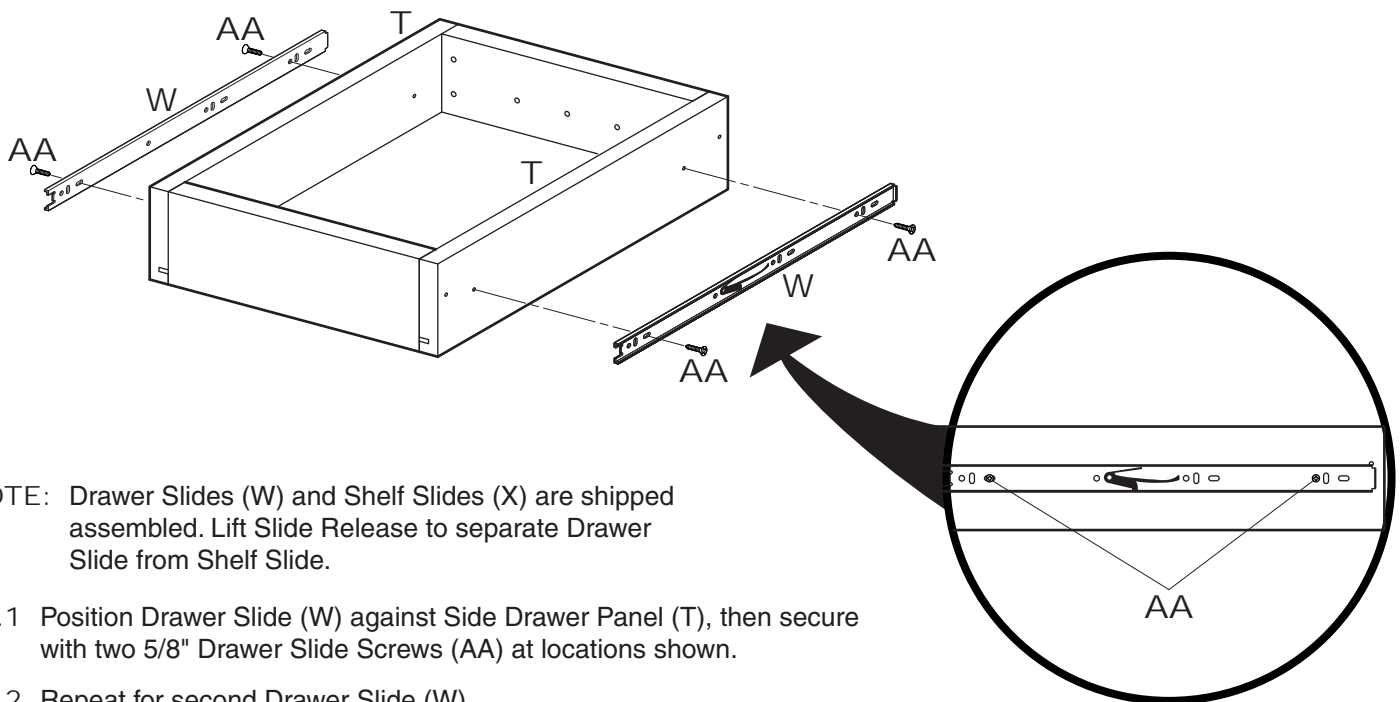


21



21.1 Secure Side Drawer Panels (T) to Front Drawer Panel (R) and Rear Drawer Panel (S) using 1.0" Drawer Side Screws (BB).

22



NOTE: Drawer Slides (W) and Shelf Slides (X) are shipped assembled. Lift Slide Release to separate Drawer Slide from Shelf Slide.

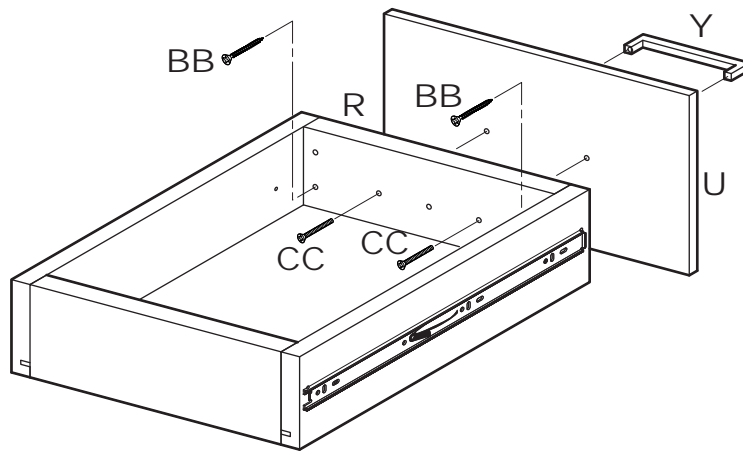
22.1 Position Drawer Slide (W) against Side Drawer Panel (T), then secure with two 5/8" Drawer Slide Screws (AA) at locations shown.

22.2 Repeat for second Drawer Slide (W).

ASSEMBLY AND
INSTALLATION INSTRUCTIONS
VANITY, 19.5



23



NOTE: DO NOT overtighten Screws (BB) or surface of Drawer Front (M) may become dimpled.

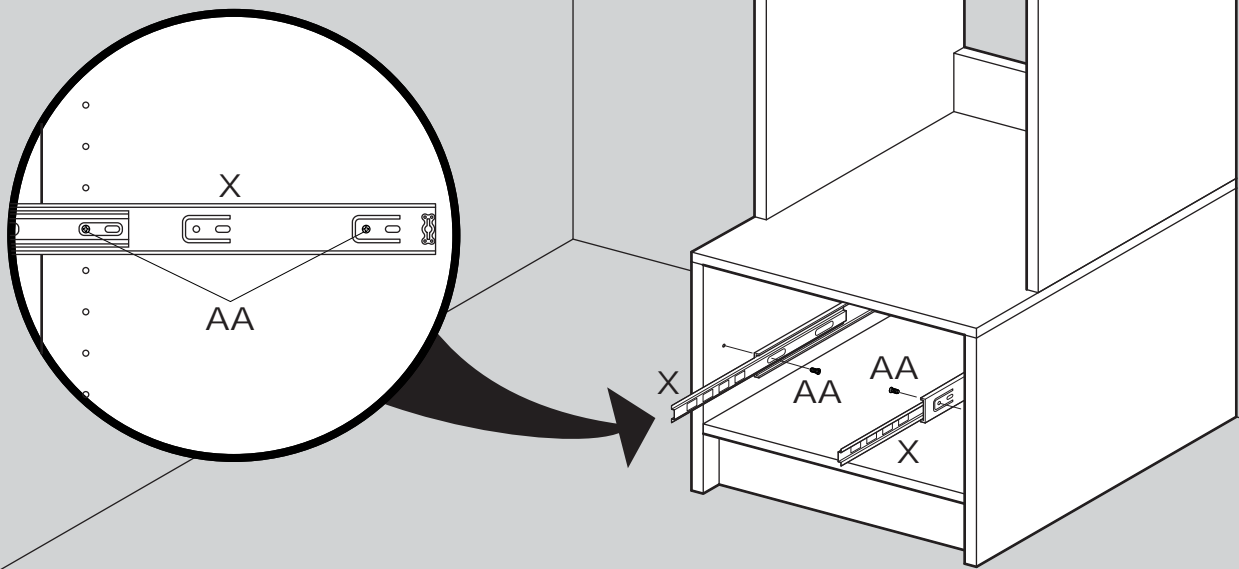
23.1 Position Drawer Front (U) on assembled Drawer and secure to Front Drawer Panel (R) with 1.0" Screws (BB).

23.2 Install Drawer Handle (Y) on Drawer and secure with two 1.5" Screws (CC).

ASSEMBLY AND
INSTALLATION INSTRUCTIONS
MUDROOM



24

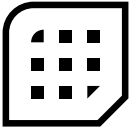


24.1 Position Shelf Slide (X) over pre-drilled holes in Base Side Panel, then secure with two 5/8" Screws (AA) at locations shown.

24.2 Repeat for second Shelf Slide (X).

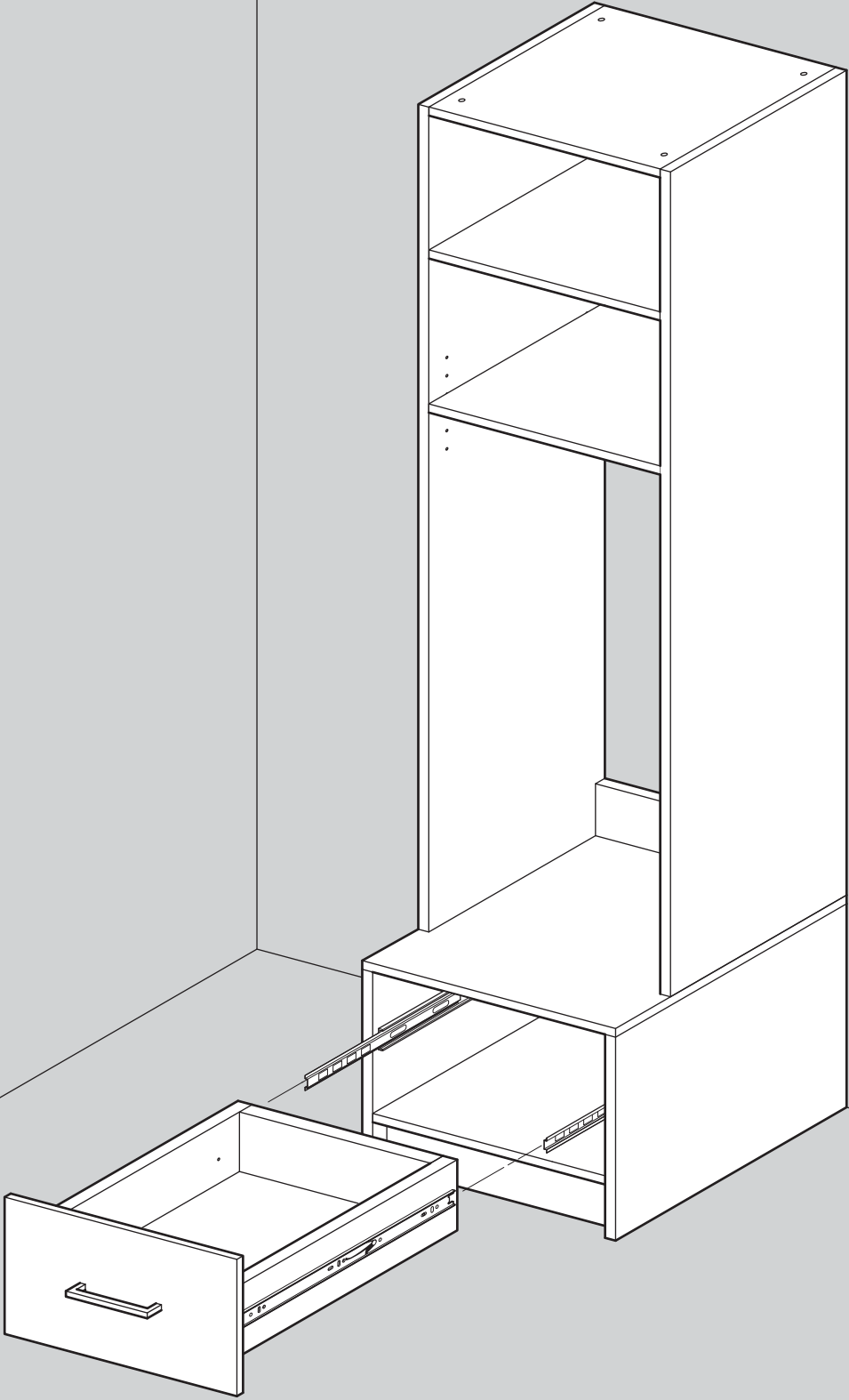
Tip: For best results, use a small level to ensure Shelf Slides (X) are properly positioned before tightening.

ASSEMBLY AND
INSTALLATION INSTRUCTIONS
MUDROOM



modular
closets.

25



25.1 Slide Drawer onto Shelf Slides until slides latch.