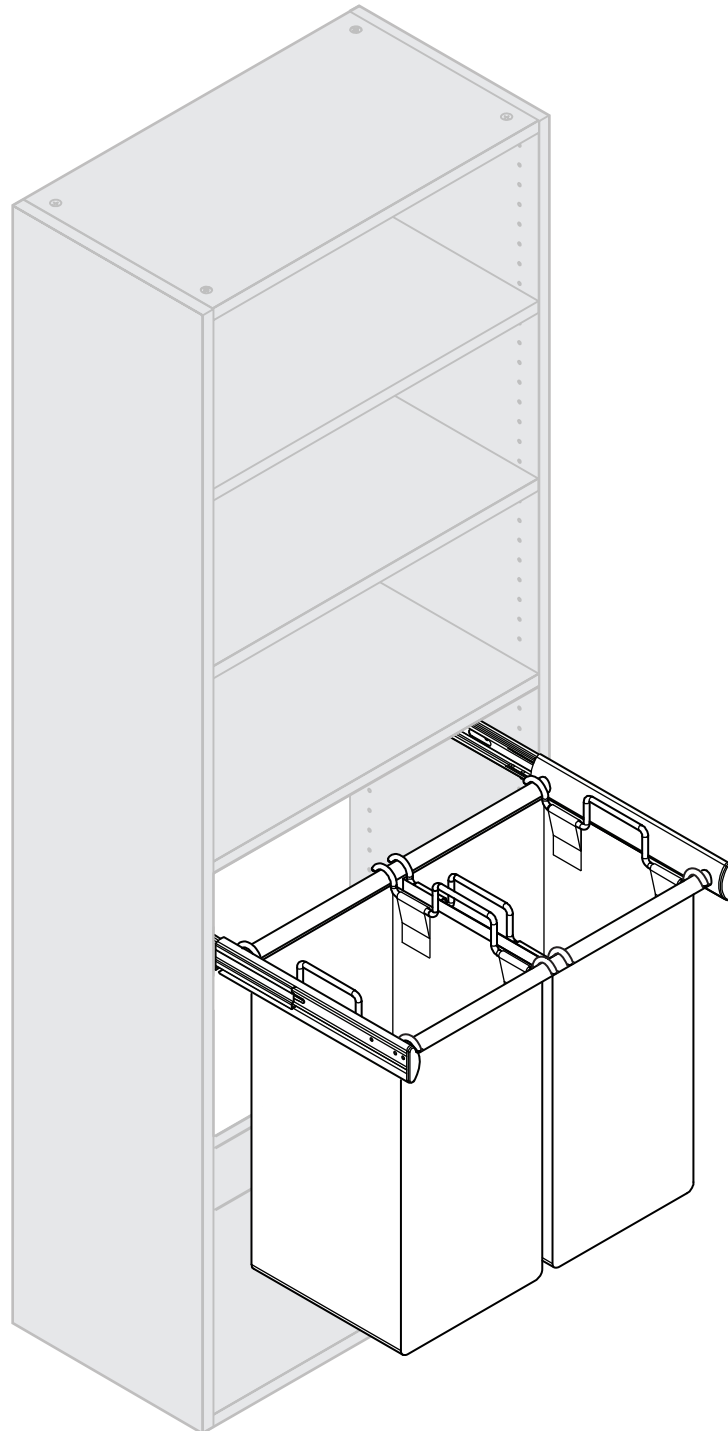
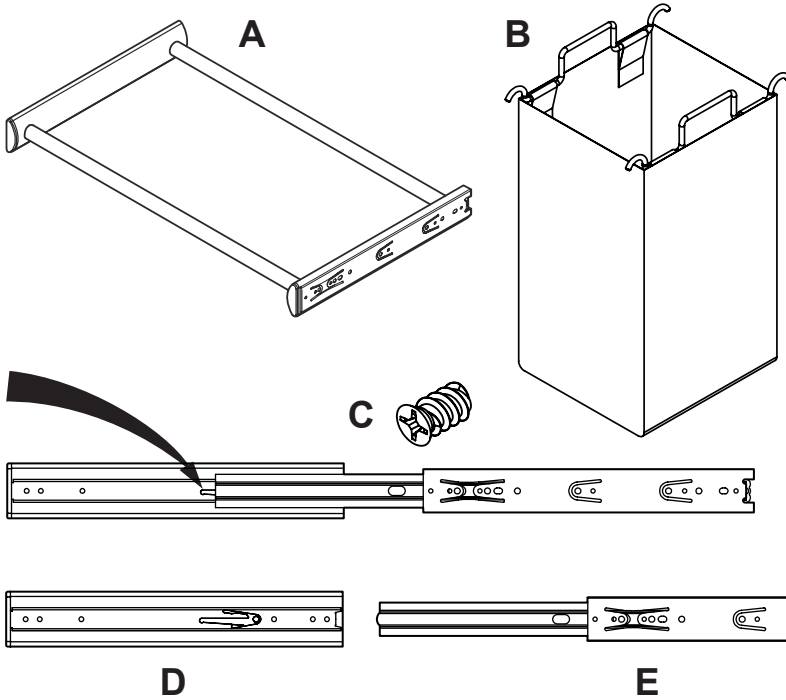


Pull Out Hamper



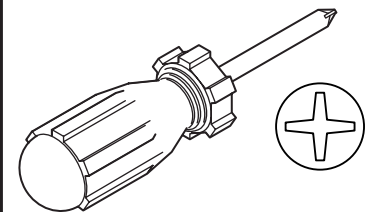
PARTS AND HARDWARE LIST



- A** Hamper Rack (Qty 1)
- B** Hamper (Qty 1 or 2)
- C** Euro Screw (9)

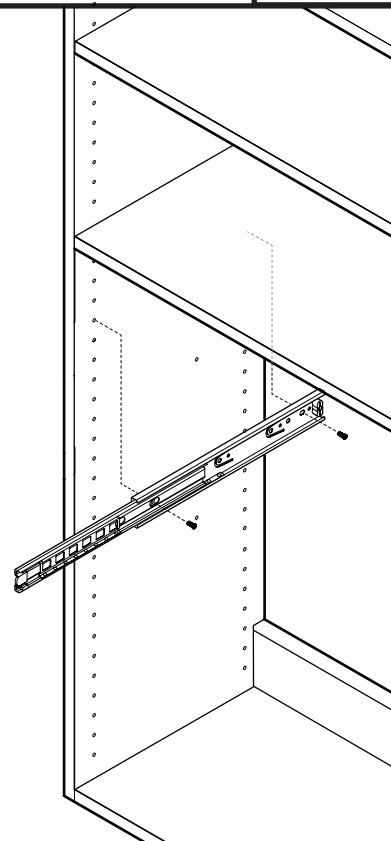
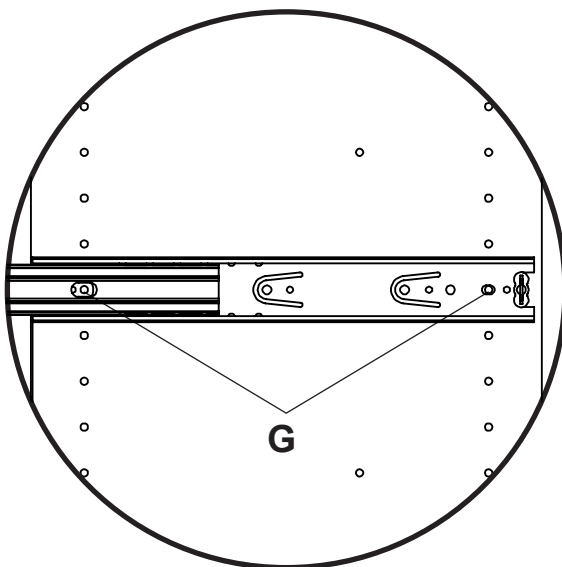
NOTE Each Hamper Rack is shipped assembled. To separate, lift the plastic catch on the Rack Side (D) and pull the slide from the Panel Side (E).

TOOLS REQUIRED (not included)



#2 Phillips Driver

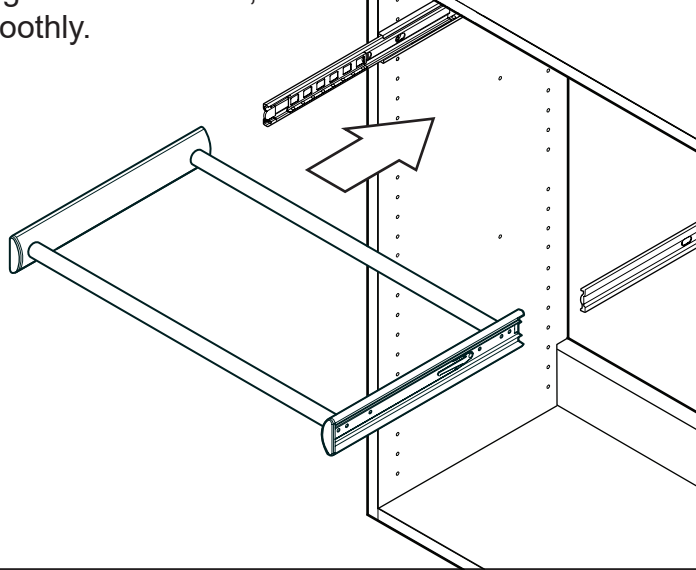
1



2.1 Mount the Panel Slides with (2) Euro Screws (G) utilizing the shelf pin holes. Repeat this process on both sides.

2

2.1 Align the Rack Slides with the Panel Slides and slowly push together until the slides latch. Make sure the Pants Rack is fully seated by pulling the it in and out, it should be rolling smoothly.



3

3.1 Pull out the Rack and place Hampers onto rods

