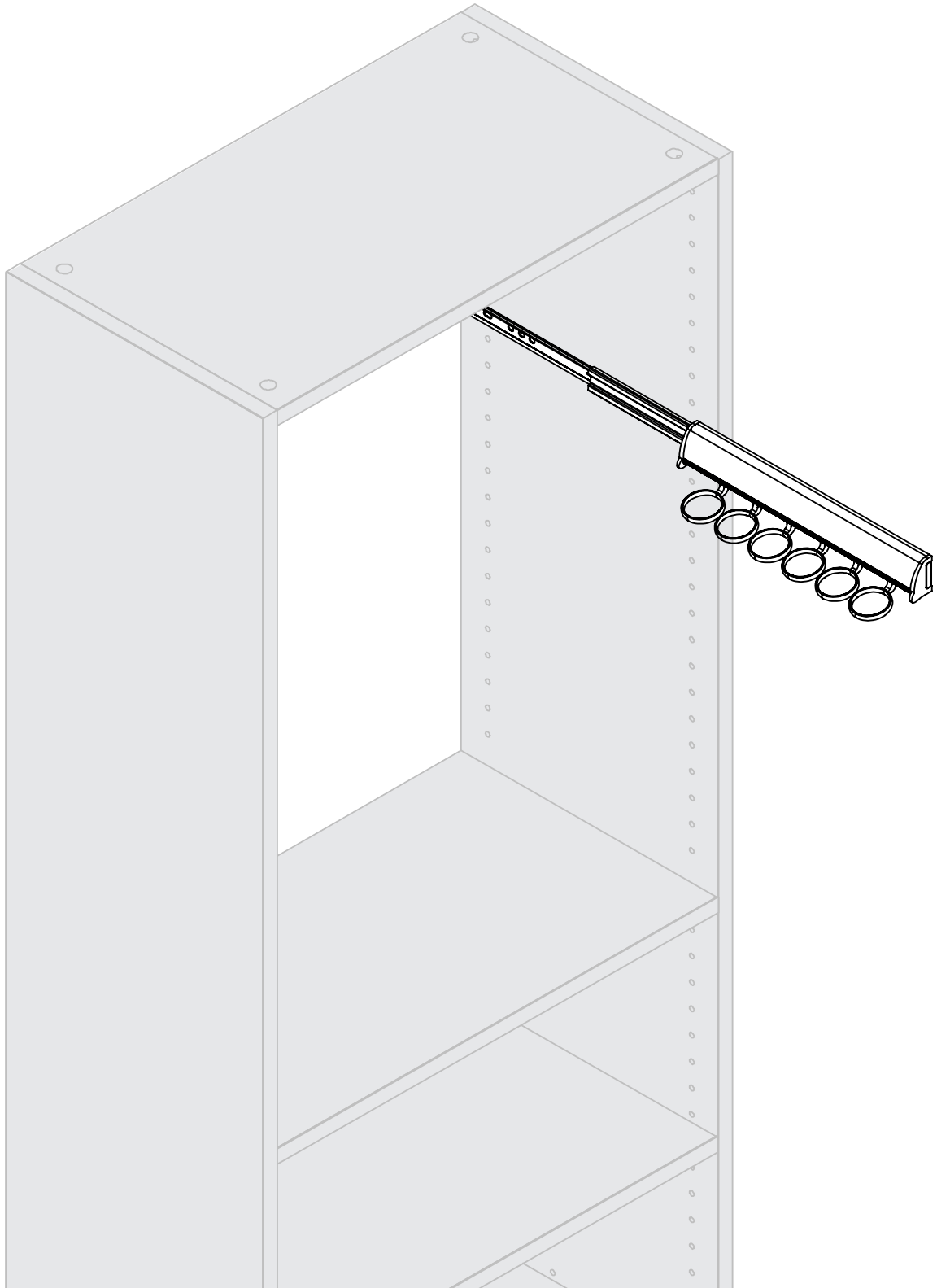
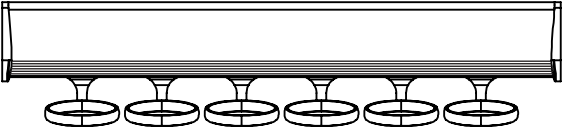
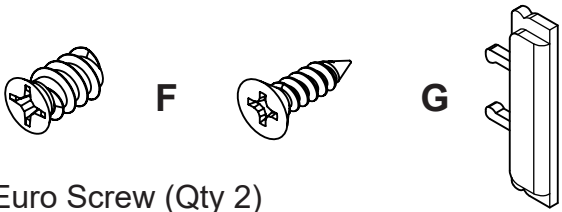
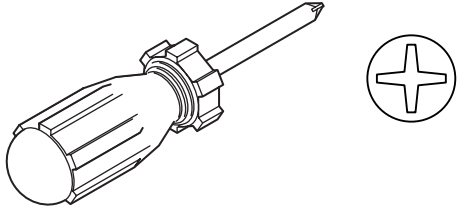
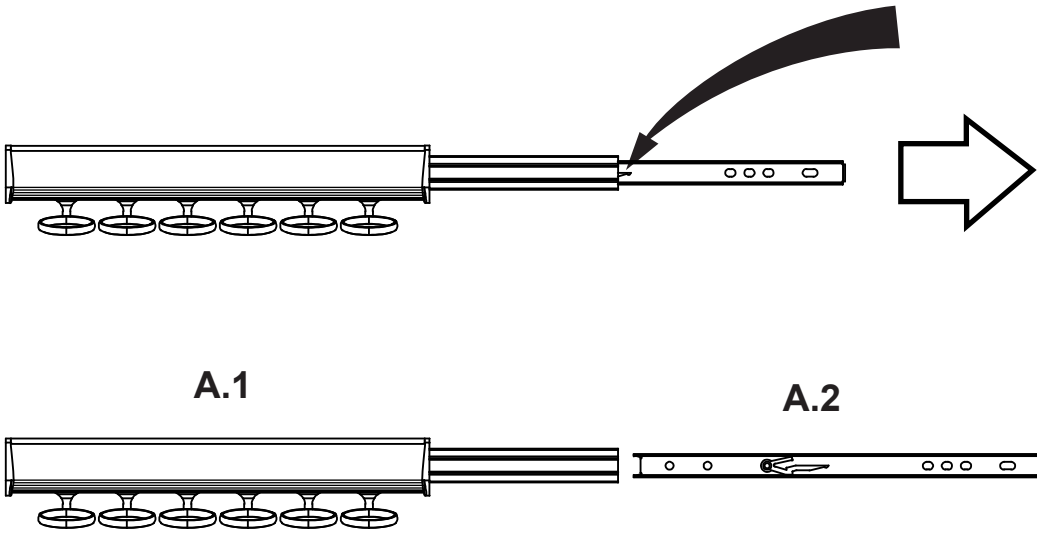


Scarf Rack



PARTS LIST	TOOLS REQUIRED
 <p>A Scarf Rack (Qty 1)</p>  <p>E Euro Screw (Qty 2) F 5/8in Wood Screw (Qty 2) G Rack End Cap</p>	<p>(not included)</p> <p>#2 Phillips Driver</p> 

1

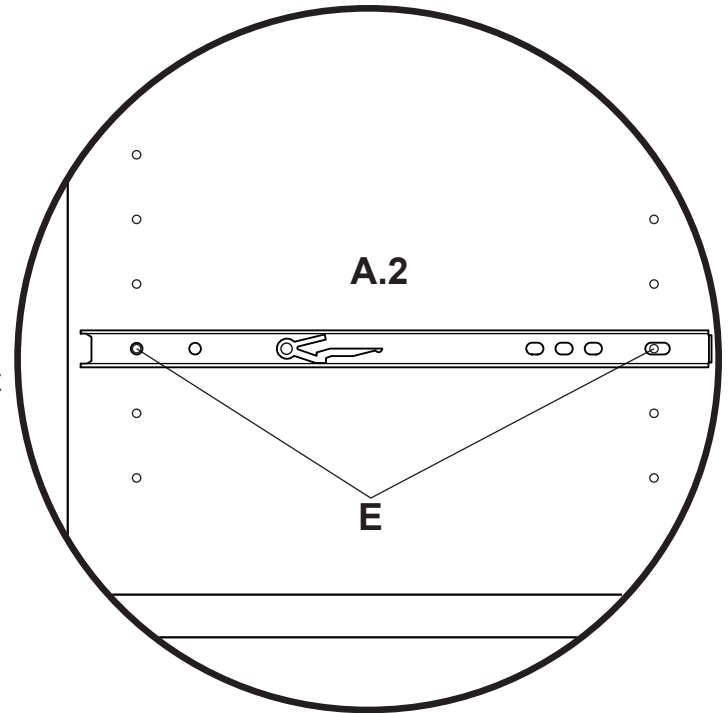


NOTE: Each Scarf Rack is shipped assembled. To separate, lift the plastic catch on the Panel Side and pull the slide out of the Rack Side

2

2.1 For each Scarf Rack, position the slide at desired height then line up the first and last holes with the corresponding shelf pin holes. Attach with supplied Euro Screws (E)

2.3 If mounting to the outside of a unit, use supplied wood screws (F)



2.2 Re-assemble the Scarf Rack, insert the end cap and installation is complete

