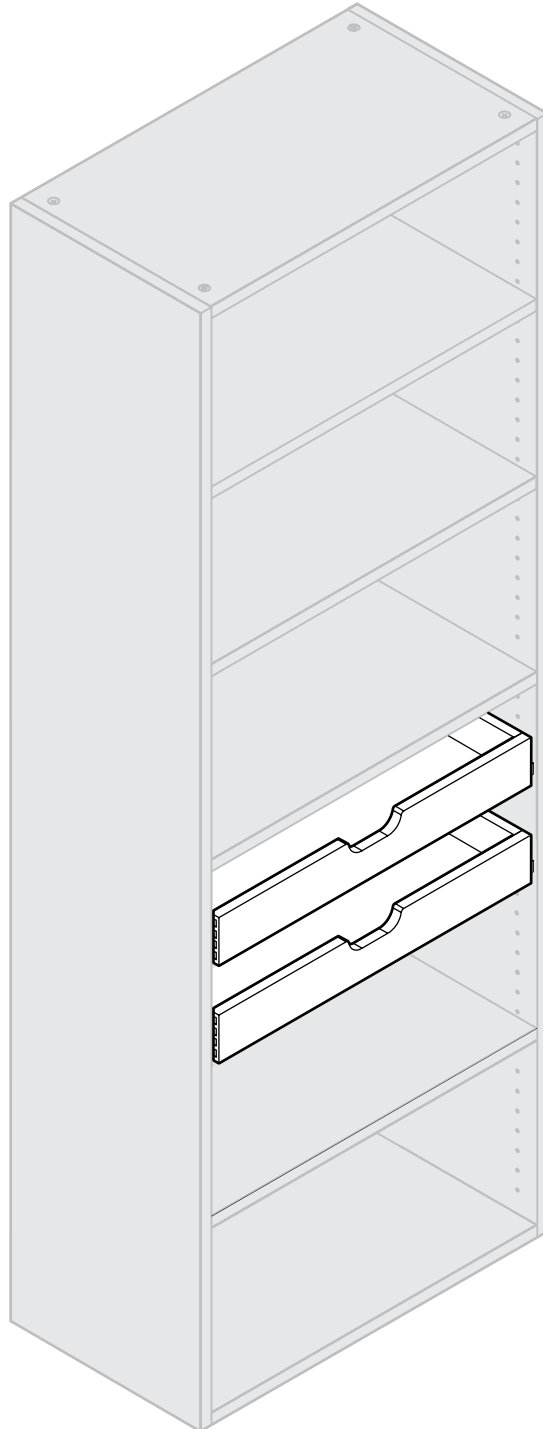
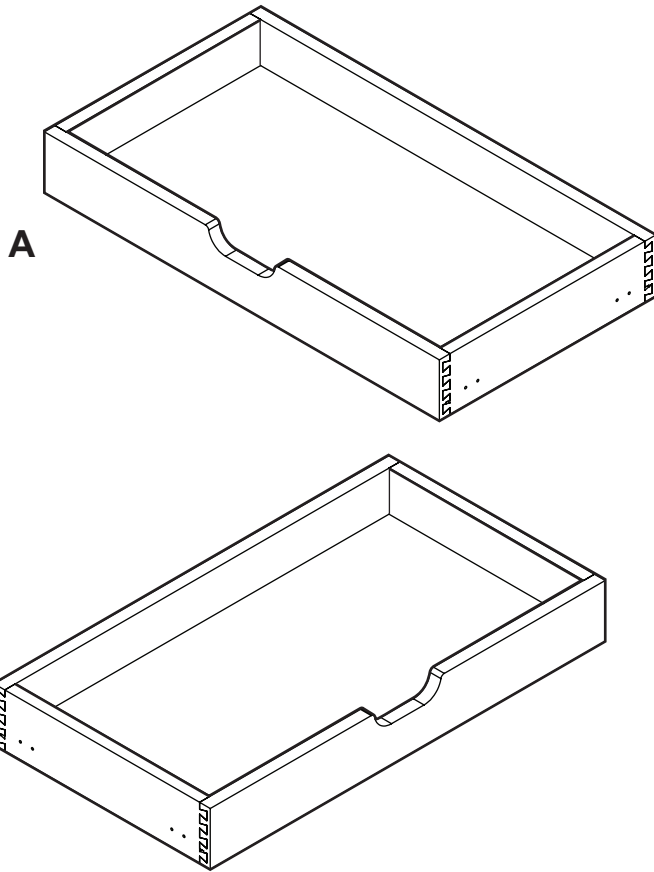


# Shelf Pull Out



## PARTS LIST



**A** Shelf Pull Out Drawer (Qty 2)

**NOTE:** Each set of Drawer Slides are shipped assembled. To separate, lift the plastic catch on the Drawer Slide and pull the slide out of the Shelf Side

**1.1** Lay out parts on a protective surface to prevent damage

**1.2** Inventory parts against Parts list before proceeding

## HARDWARE



**E** Drawer Slide (Qty 4)

**F** Shelf Slide (Qty 4)

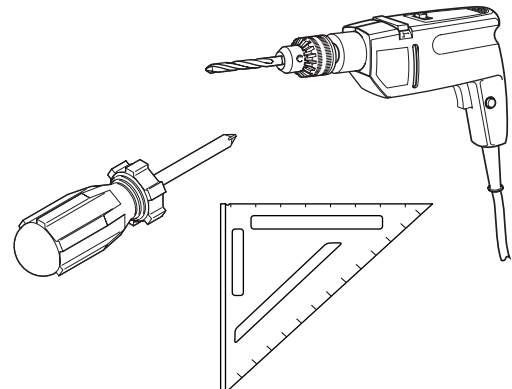
**G** Screw, Shelf Slide 5/8in (Qty 8)

**H** Screw, Drawer Slide 5/8in (Qty 8)

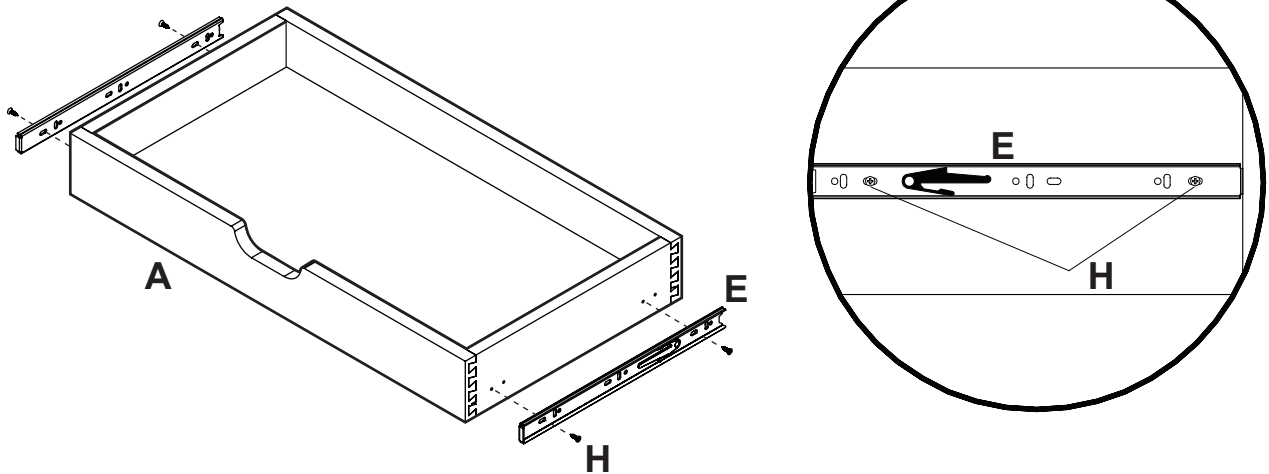
## TOOLS REQUIRED

(not included)

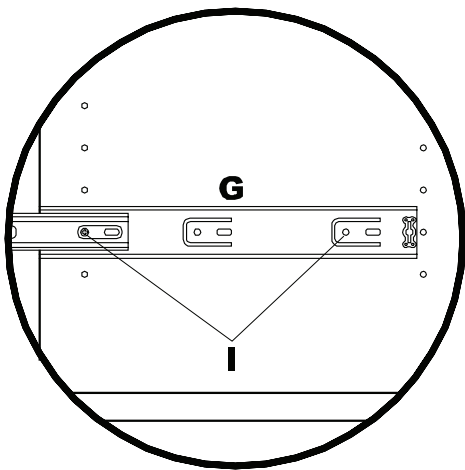
#2 Phillips Driver, Drill, 3/32" bit, rafting or combination square



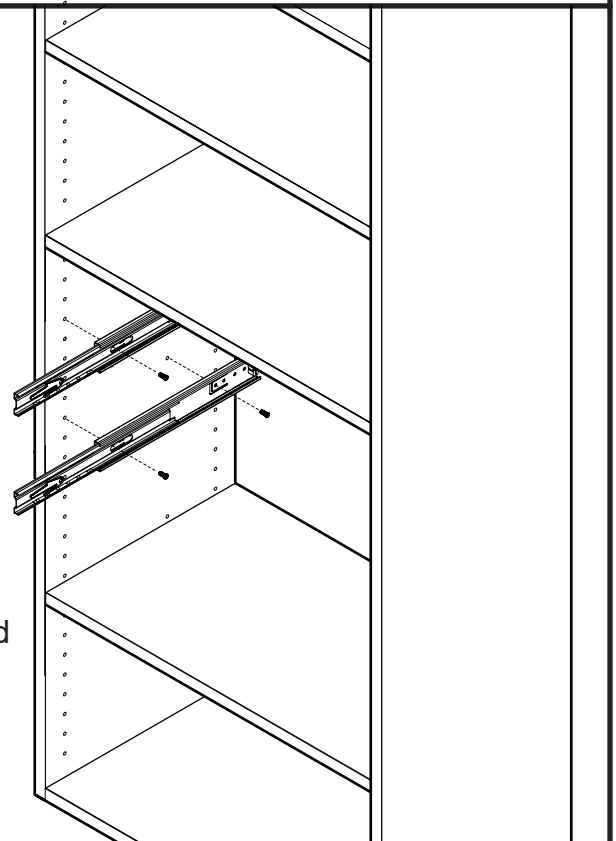
1



**1.1** For each Shelf Pull Out (A), position Drawer Slide (E) against the Shelf Pull Out Sides with front of the Drawer Slide flush with Shelf Pull Out Front, then secure with two Drawer Slide Screws (H).

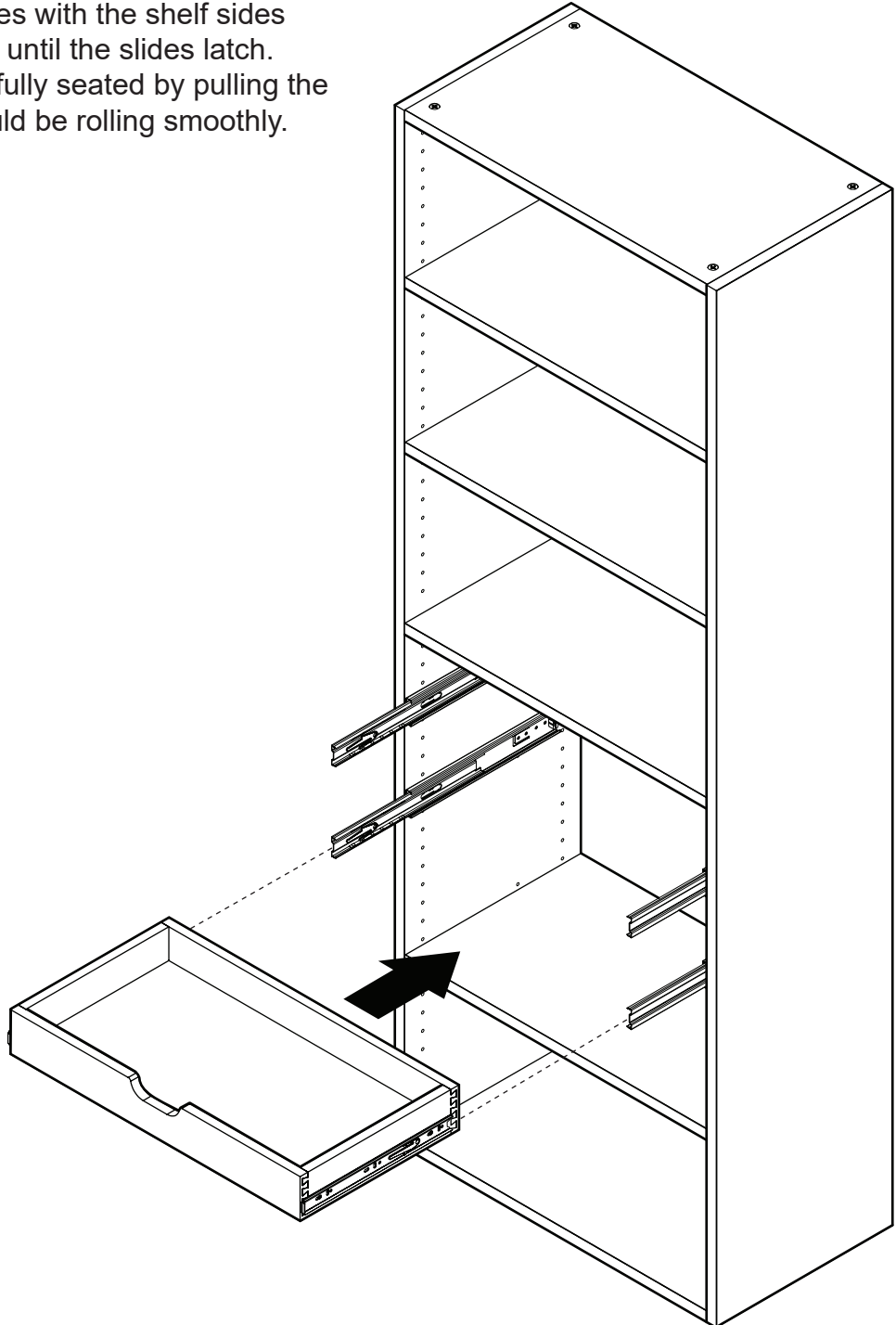


**1.2** Mount the corresponding Shelf Slides with Shelf Side Screws (G). Utilize the front row of shelf pin holes for the front of the drawer slide and secure with provided screw (G). Check that the slide is level and secure in either a predrilled hole or mark and drill a hole. Repeat this process on both sides.



## 2

**2.1** Align the drawer slides with the shelf sides and slowly push together until the slides latch. Make sure the drawer is fully seated by pulling the drawer in and out, it should be rolling smoothly.



# 3

3.1 Repeat the process with all remaining drawers

