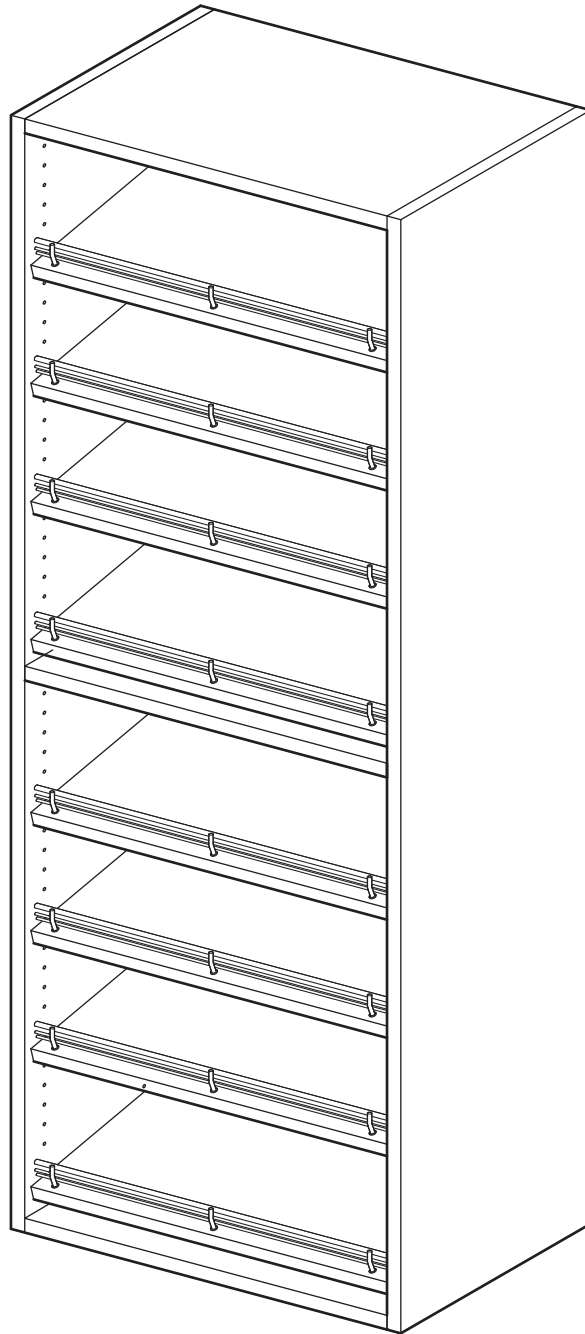


modular
closets.

support@modularclosets.com

1-844-969-4247

SHOE TOWER KIT

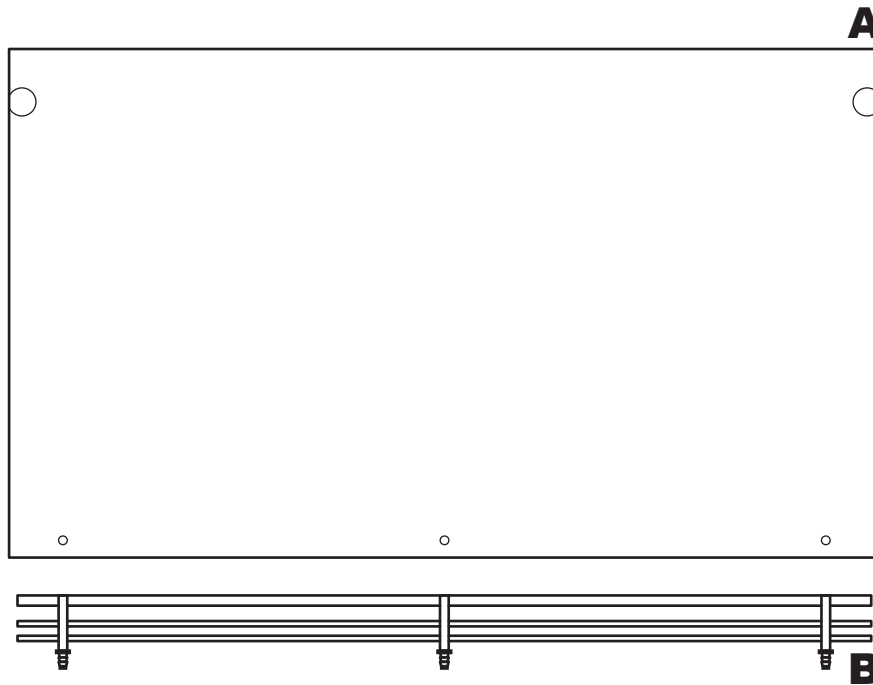


ASSEMBLY AND INSTALLATION INSTRUCTIONS

ASSEMBLY AND INSTALLATION INSTRUCTIONS SHOE TOWER KIT

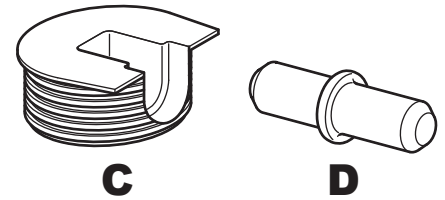


1

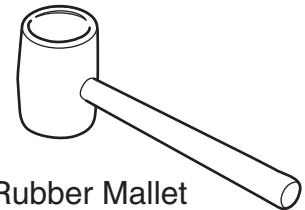


PARTS LIST

- A** Shoe Shelf (Qty 4)
- B** Shoe Fence (Qty 4)
- C** Wedge Fix (Qty 8)
- D** Duplo Shelf Pin (Qty 16)



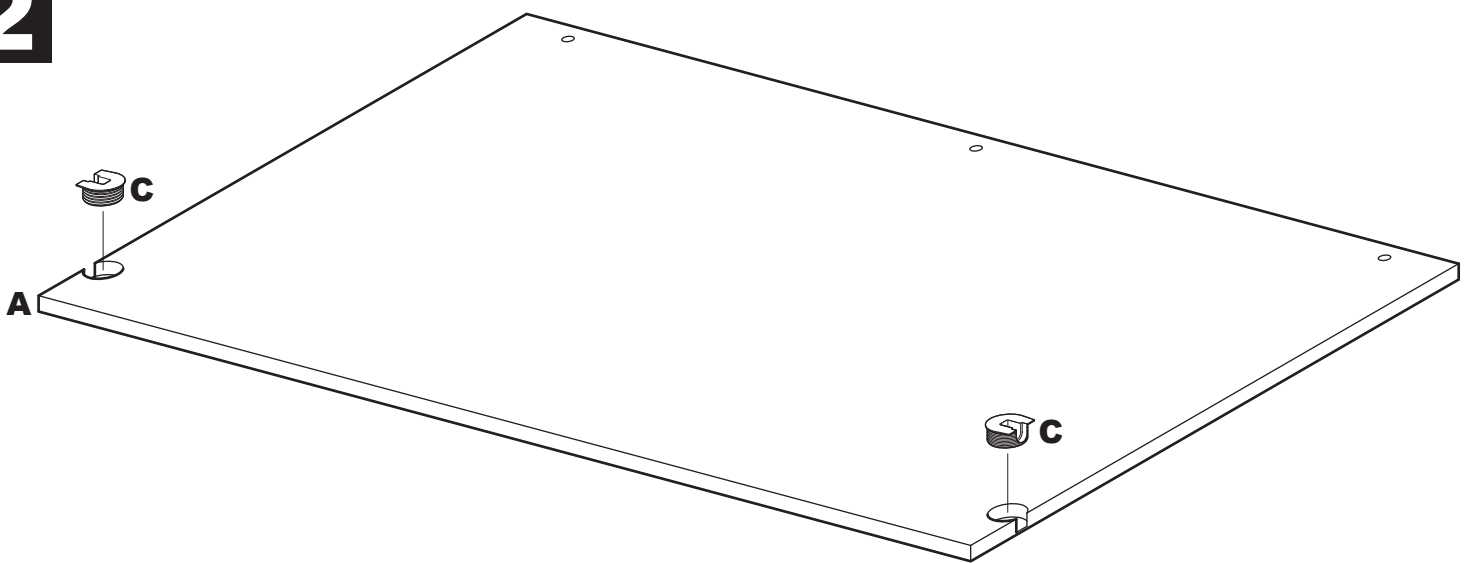
TOOLS REQUIRED (not included)



1.1 Lay parts out on a protective surface to prevent damage. *Tip: Spread out the cardboard packaging to use as a protective surface.*

1.2 Inventory parts against the Parts List. Make sure all parts are present before proceeding.

2



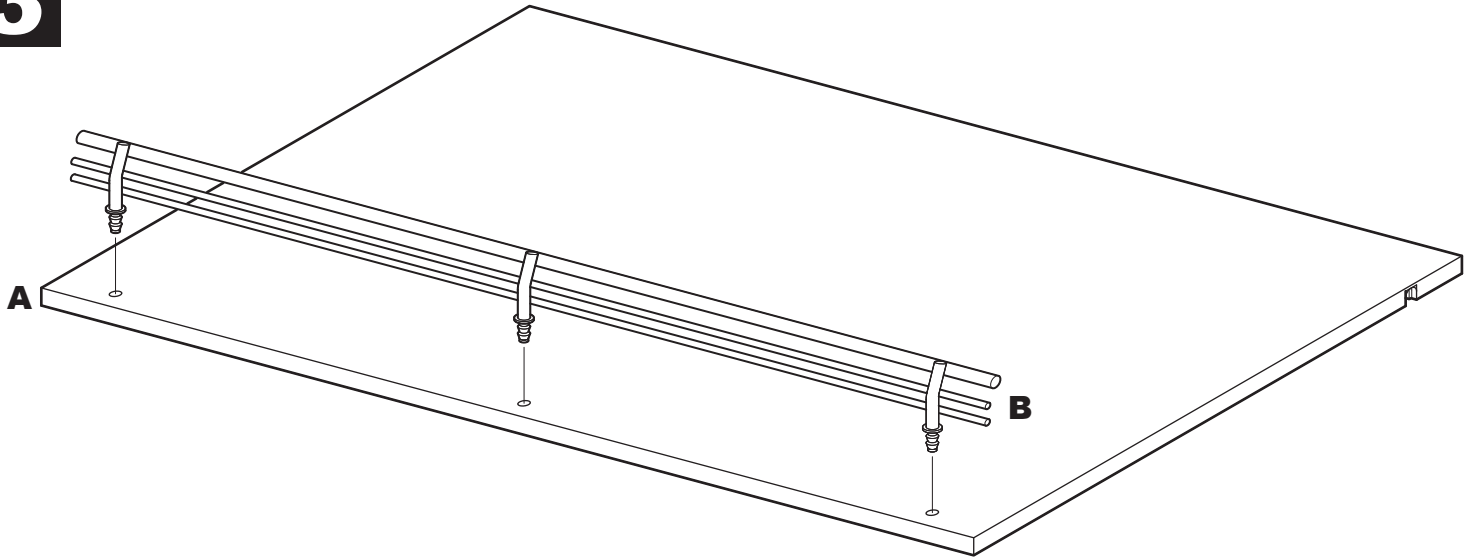
2.1 Place Shoe Shelf (A) on a level surface, with the bottom side facing up. Insert two Wedge Fixes (C) into recesses in Shoe Shelf. Gently tap each Wedge Fix (C) into Shoe Shelf (A) using a rubber mallet until lip on Wedge Fix is flush with surface of Shelf.

2.2 Repeat for remaining Shelves.

ASSEMBLY AND INSTALLATION INSTRUCTIONS SHOE TOWER KIT



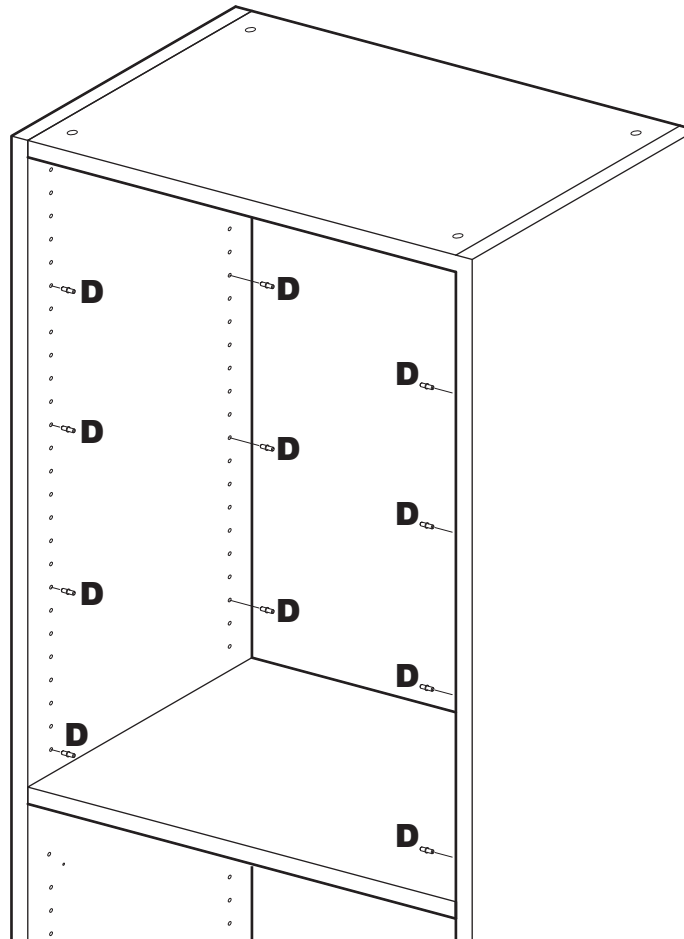
3



3.1 Place Shoe Shelf (A) on a level surface, with the top side facing up. Insert Shoe Fence (B) into drilled holes in Shoe Shelf. Gently tap Shoe Fence (B) into Shoe Shelf (A) using a rubber mallet.

3.2 Repeat for remaining Shelves.

4

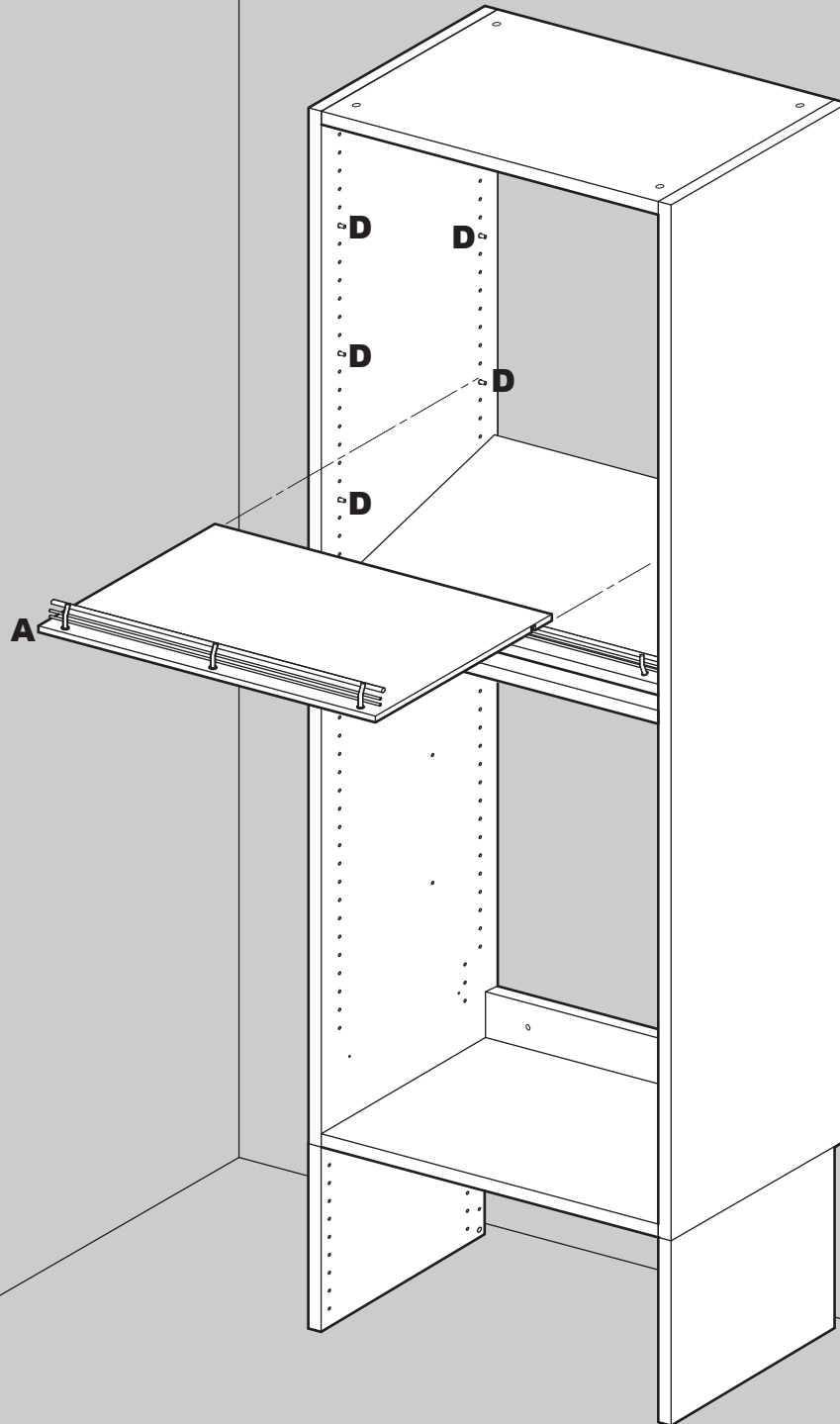


4.1 For each Shoe Shelf, insert two front Duplo Pins (D) into pin holes inside of Tower at the desired height, then install rear Duplo Pins (D) two holes higher than the associated front pins.

ASSEMBLY AND INSTALLATION INSTRUCTIONS SHOE TOWER KIT



5



- 5.1** For each Shoe Shelf (A), slide Shelf into Tower. BE SURE Wedge Fixes in bottom of Shelf engage two rear Duplo pins.
- 5.2** Lower front edge of Shoe Shelf (A) onto front Duplo pins (D).