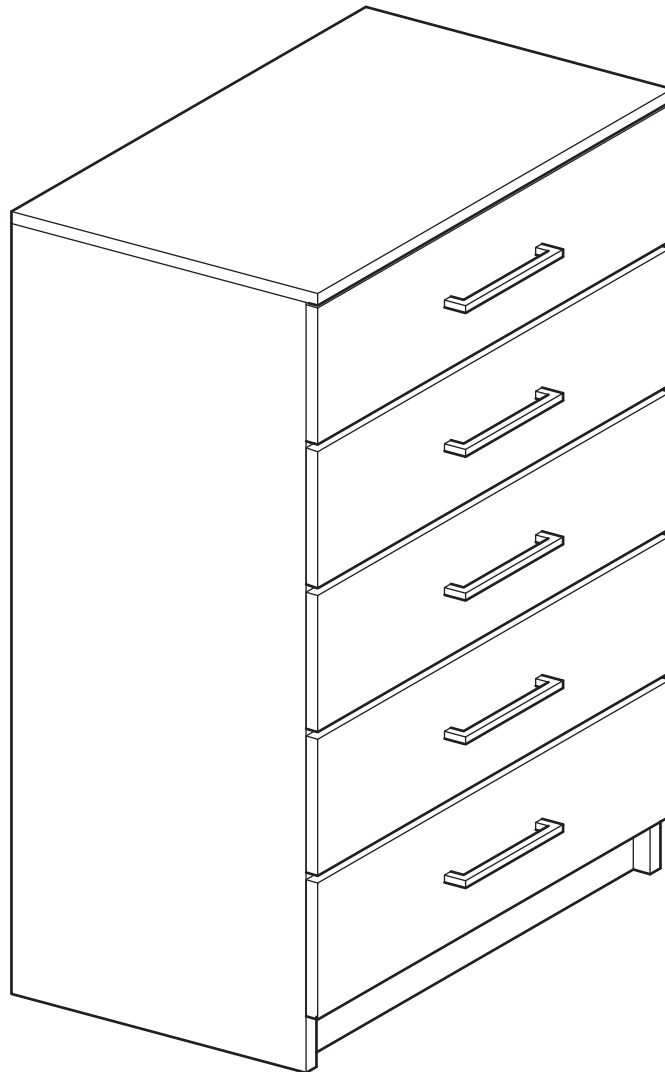


modular  
closets.

support@modularclosets.com

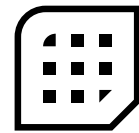
1-844-969-4247

# HUTCH



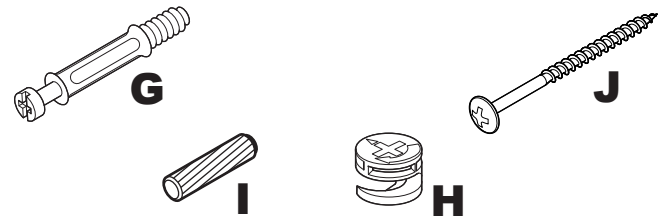
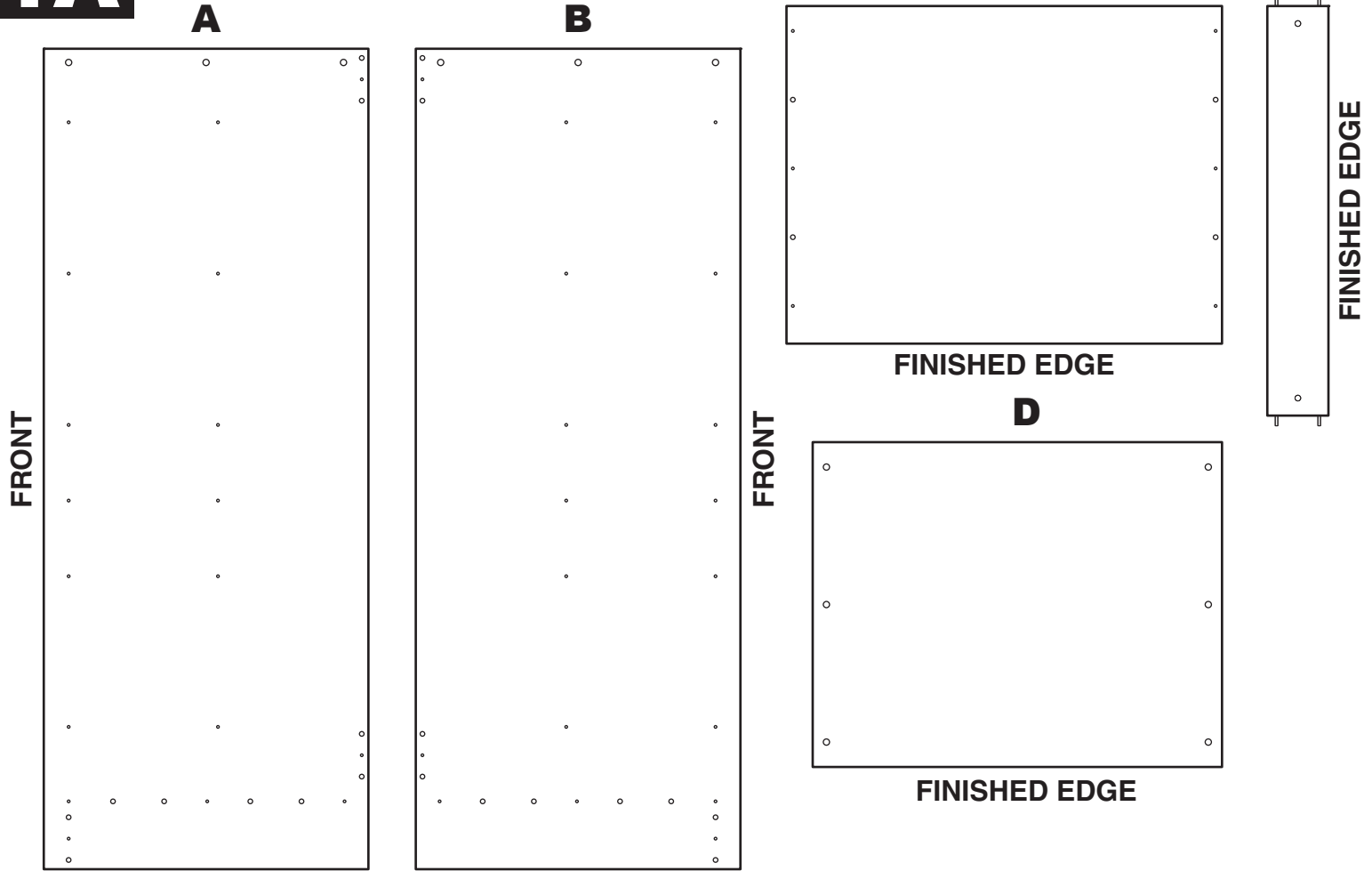
## ASSEMBLY AND INSTALLATION INSTRUCTIONS

# ASSEMBLY AND INSTALLATION INSTRUCTIONS HUTCH



modular  
closets.

**1A**



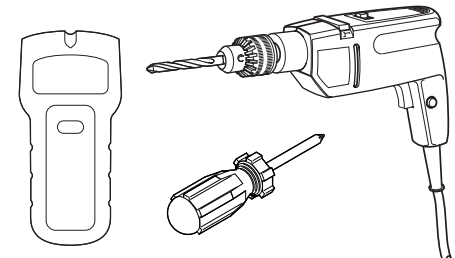
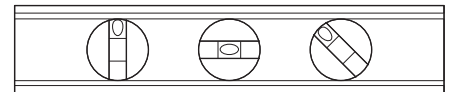
## PARTS LIST

- A** Left Side Panel (Qty 1)
- B** Right Side Panel (Qty 1)
- C** Top Shelf (Qty 1)
- D** Set Shelf (Qty 1)
- E** Rear Cleat (Qty 2)
- F** Toe Kick (Qty 1)
- G** Cam Post (Qty 18)
- H** Camlock (Qty 18)
- I** Wood Dowel, 8mm (Qty 4)
- J** Screw, 2.5" (Qty 4)

## TOOLS REQUIRED

(not included unless noted)

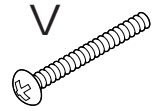
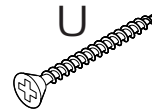
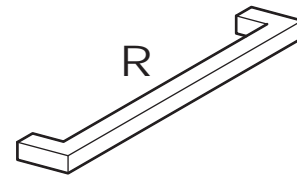
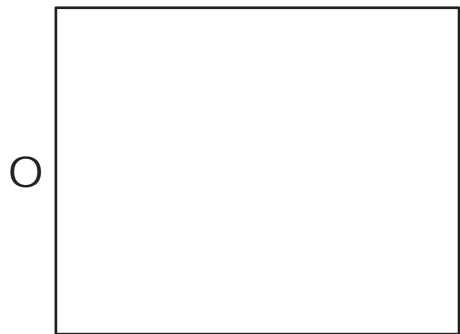
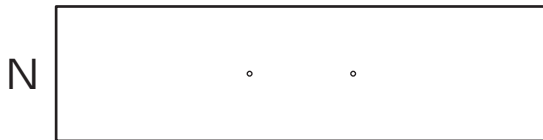
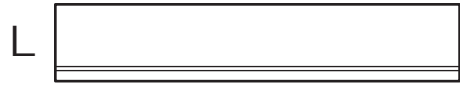
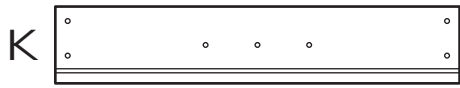
- Level
- Stud Finder
- Drill, 5/32" bit size
- Phillips Screwdriver



# ASSEMBLY AND INSTALLATION INSTRUCTIONS HUTCH



## 1B



### PARTS LIST

- K Drawer Panel, Front (Qty 5)
- L Drawer Panel, Rear Qty (5)
- M Drawer Panel, Side (Qty 10)
- N Drawer Front (Qty 5)
- O Drawer Bottom (Qty 5)
- P Drawer Slide (Qty 10)
- Q Shelf Slide (Qty 10)
- R Drawer Handle (Qty 5)
- S Euro Screw, 5/8" (Qty 20)
- T Screw, 5/8" (Qty 20)
- U Screw, 1" (Qty 48)
- V Screw, 1.5" (Qty 10)
- W Wood Dowel, 6mm (Qty 48)

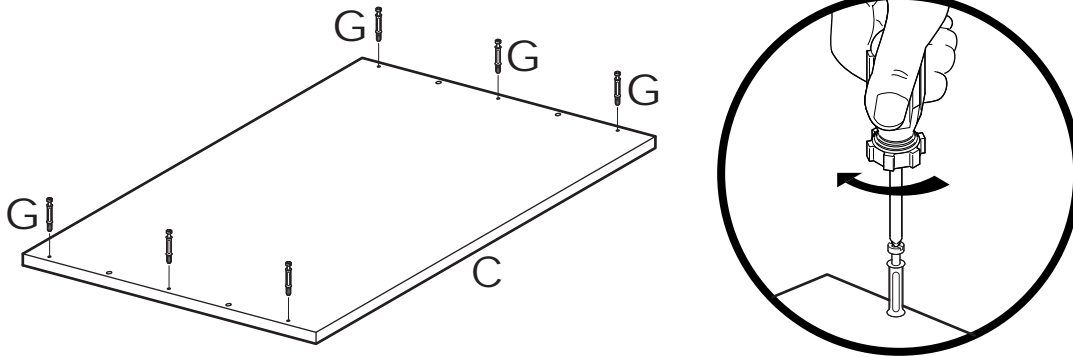
## 1C

- 1.1 Lay parts out on a protective surface to prevent damage. **Tip:** Spread out the cardboard packaging to use as a protective surface.
- 1.2 Inventory parts against the Parts List. Make sure all parts are present before proceeding.

# ASSEMBLY AND INSTALLATION INSTRUCTIONS HUTCH

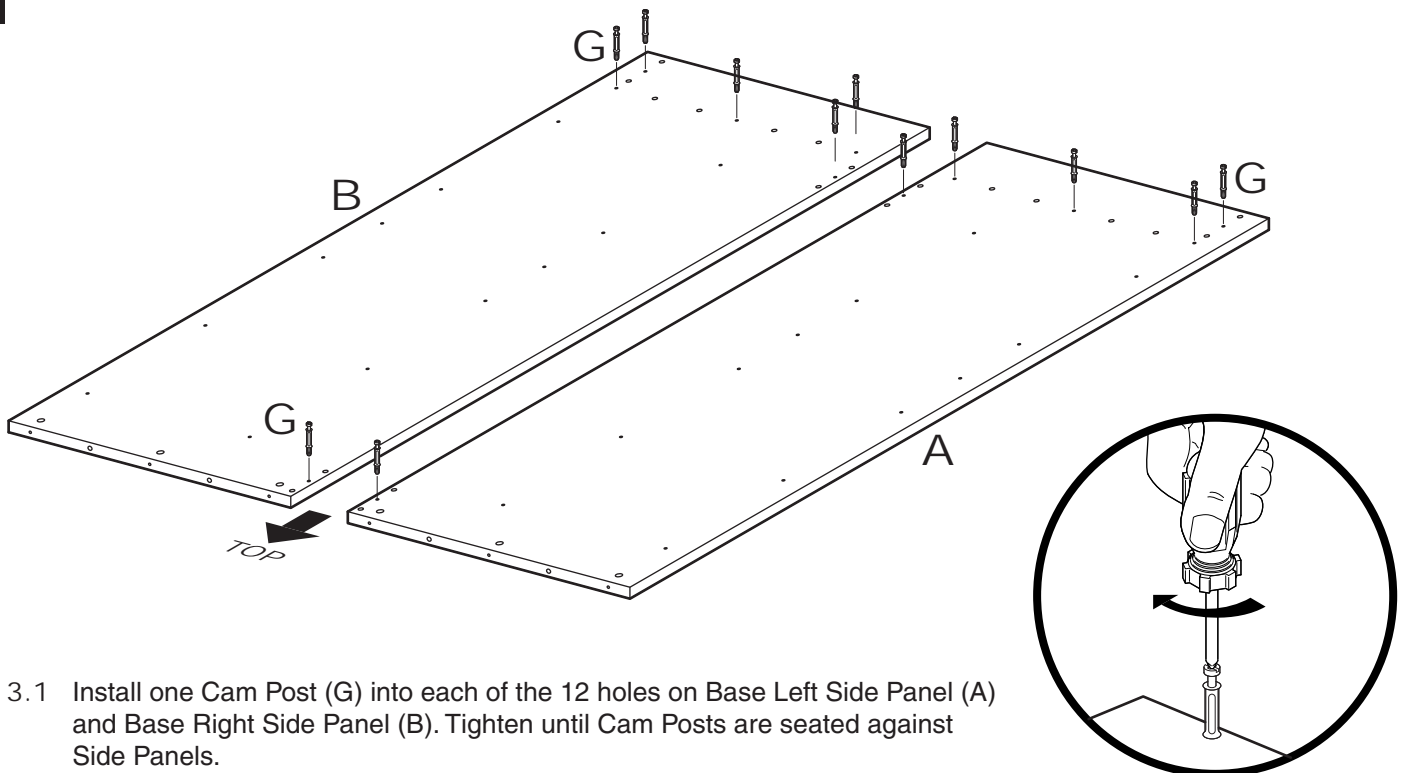


## 2



- 2.1 Install one Cam Post (G) into each of the 6 holes on Base Top Shelf (C). Tighten until Cam Posts are seated against Top Shelf.

## 3

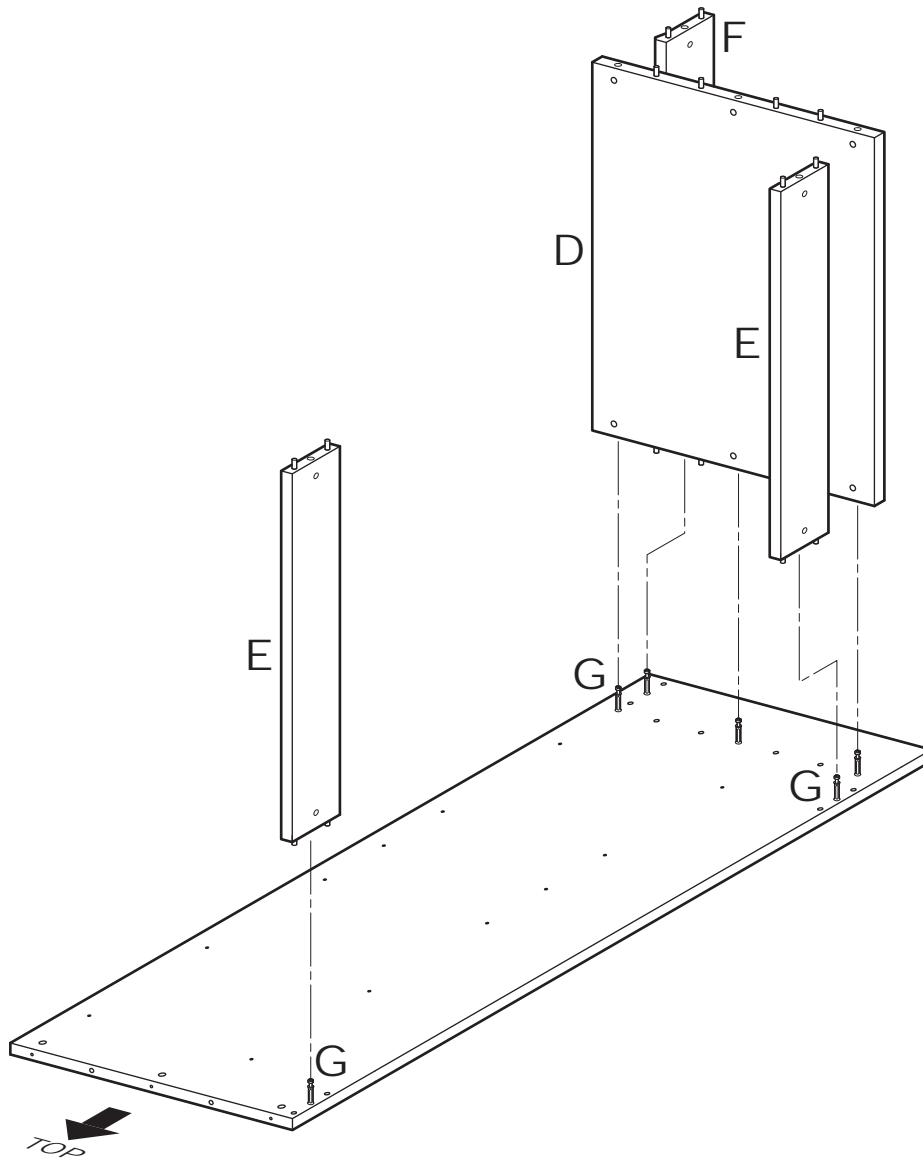


- 3.1 Install one Cam Post (G) into each of the 12 holes on Base Left Side Panel (A) and Base Right Side Panel (B). Tighten until Cam Posts are seated against Side Panels.

# ASSEMBLY AND INSTALLATION INSTRUCTIONS HUTCH



# 4



- 4.1 Assemble Base Set Shelf (D), Rear Hanging Cleats (E) and Toe Kick (F) onto Base Right Side Panel (B) by sliding the Shelves, Cleats and Toe Kick onto Cam Posts (G) on Right Side Panel. BE SURE dowel pins in Shelves, Cleats and Toe Kick engage drilled holes in Right Side Panel, and all parts are pressed flush against Panel.

## IMPORTANT NOTES

Install Set Shelf (D) with finished edge facing forward (toward front of unit) and holes for Cam Locks facing up (toward the top of the unit).

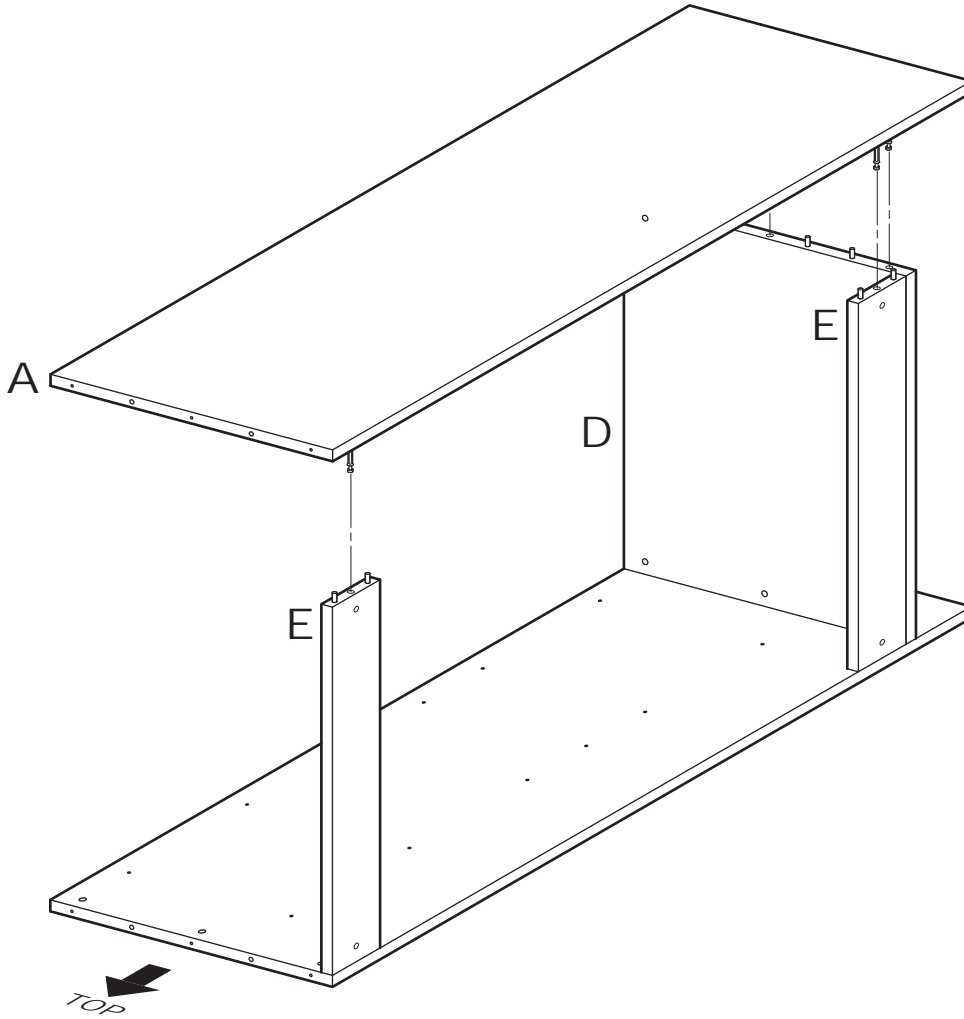
Install lower Rear Hanging Cleat (E) and Toe Kick (F) with holes for Cam Locks facing the rear of the unit and unfinished edges against Set Shelf (D).

Install upper Rear Hanging Cleat (E) with holes for Cam Locks facing the rear of the unit and the unfinished edge facing the top of the unit.

# ASSEMBLY AND INSTALLATION INSTRUCTIONS HUTCH



5

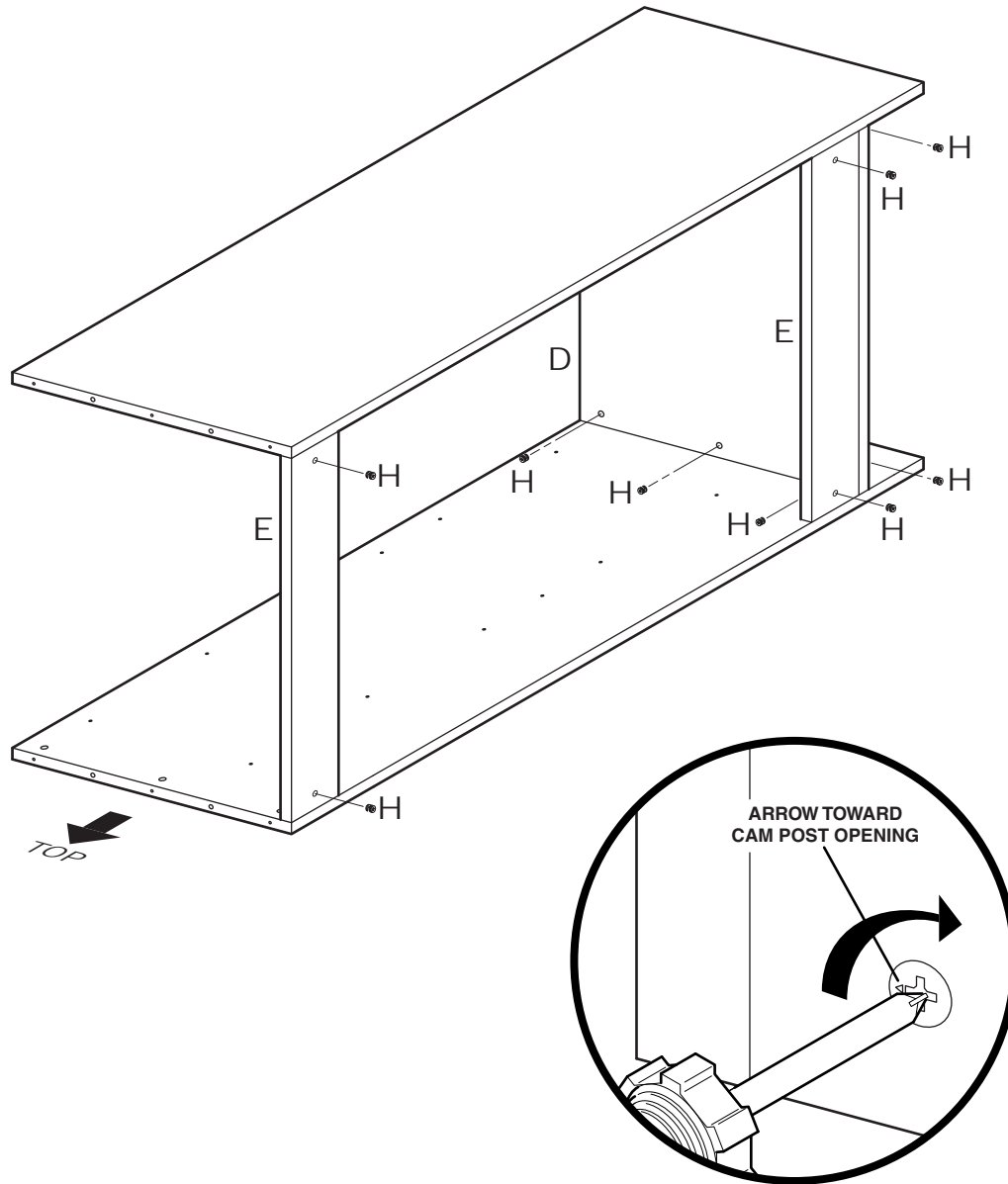


- 5.1 Install Base Left Side Panel (A) onto assembled Set Shelf (D), Rear Hanging Cleats (E) and Toe Kick (F). BE SURE dowel pins in Shelf, Cleats and Toe Kick engage drilled holes in Side Panel, and Side Panel is pressed flush against Set Shelf, Cleats and Toe Kick.

# ASSEMBLY AND INSTALLATION INSTRUCTIONS HUTCH



6

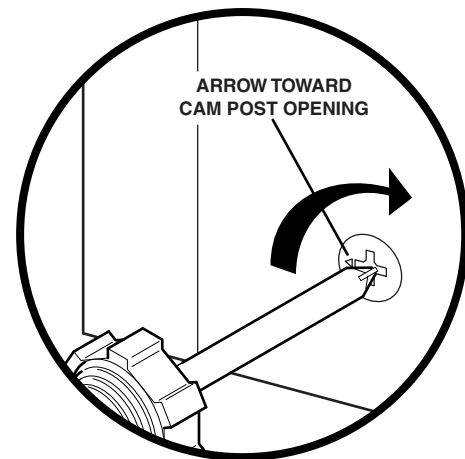
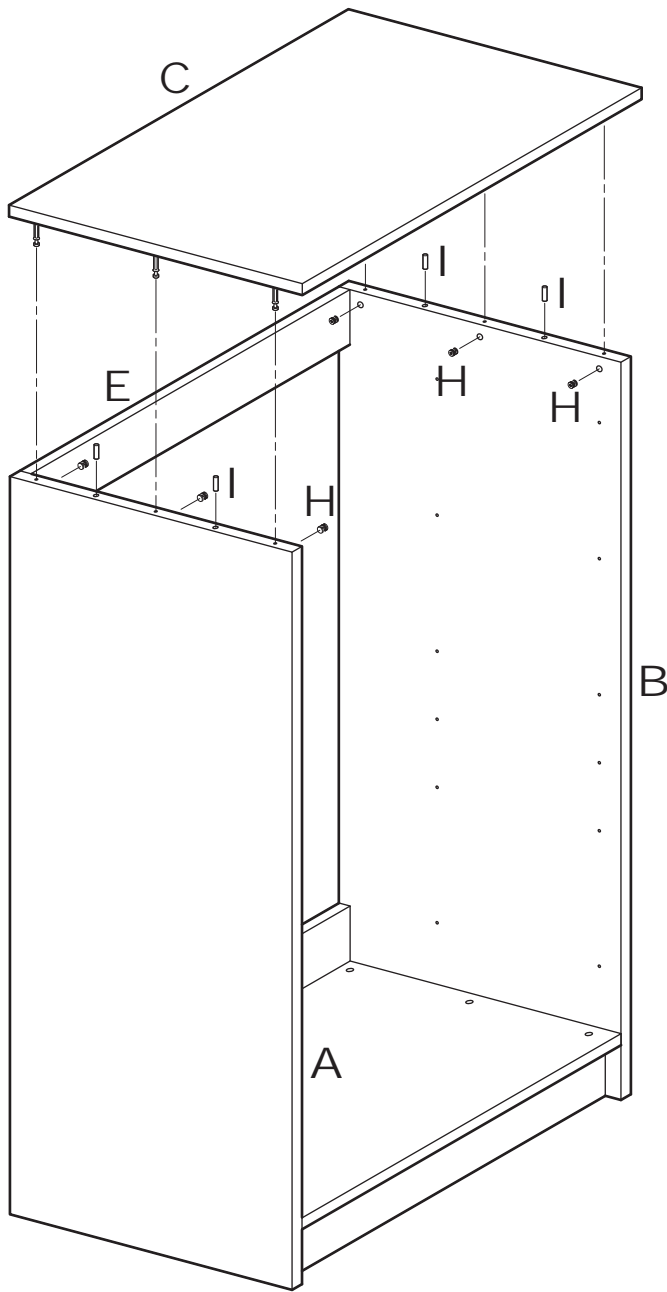


- 6.1 Insert Camlocks (H) in holes in Set Shelf (D), Rear Hanging Cleats (E) and Toe Kick (R) with arrow pointing toward Cam Post opening. Be sure Camlocks engage Cam Posts, and are fully seated in Shelf, Cleats and Toe Kick.
- 6.2 Tighten Camlocks (H) clockwise to lock.

# ASSEMBLY AND INSTALLATION INSTRUCTIONS HUTCH



7



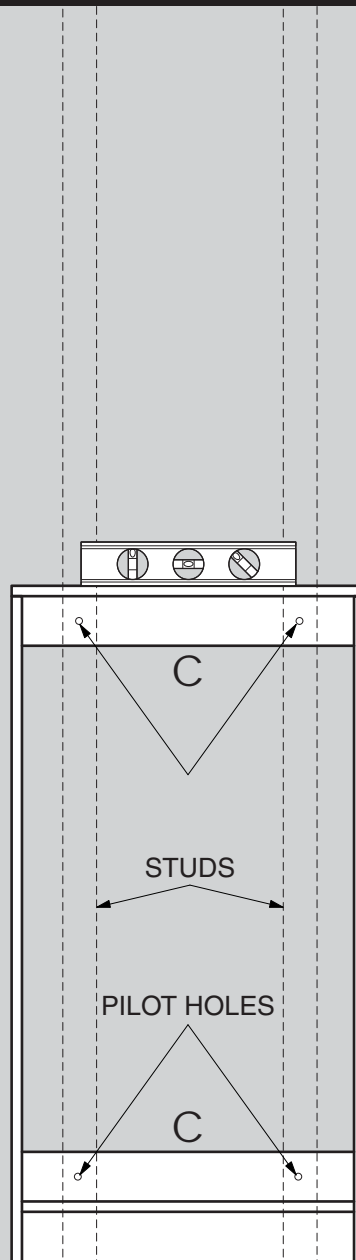
- 7.1 Insert four Wood Dowels (I) into holes in edges of Base Left Side Panel (A) and Base Right Side Panel (B).
- 7.2 Install Base Top Shelf (C) onto assembled Base. BE SURE dowel pins in Base Left Side Panel (A) and Base Right Side Panel (B) engage drilled holes in Top Shelf, and Top Shelf is pressed flush against Side Panels and Rear Hanging Cleat (E).
- 7.3 Insert Camlocks (H) in holes in Base Left Side Panel (A) and Base Right Side Panel (B). BE SURE Camlocks engage Cam Posts, and are fully seated in Side Panels. Tighten Camlocks (H) clockwise to lock.



# ASSEMBLY AND INSTALLATION INSTRUCTIONS HUTCH



8



## INSTALLATION

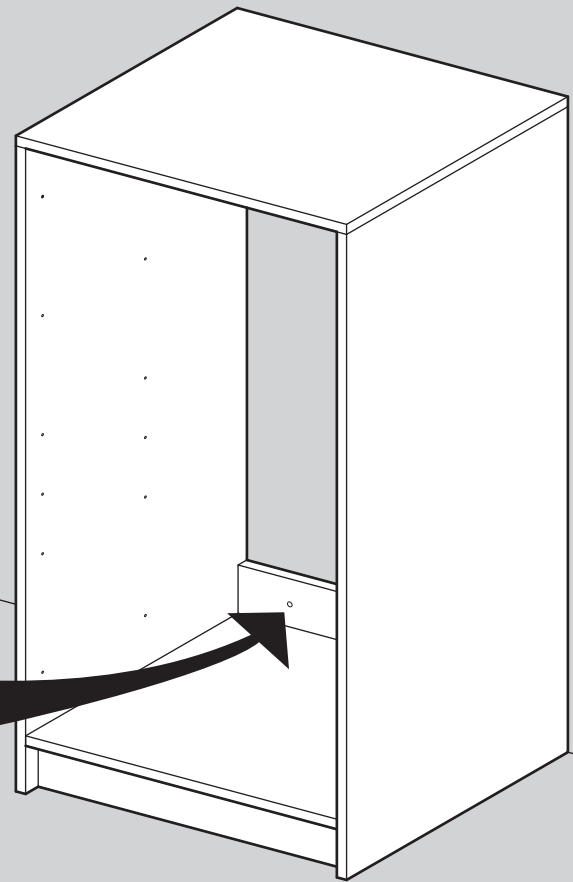
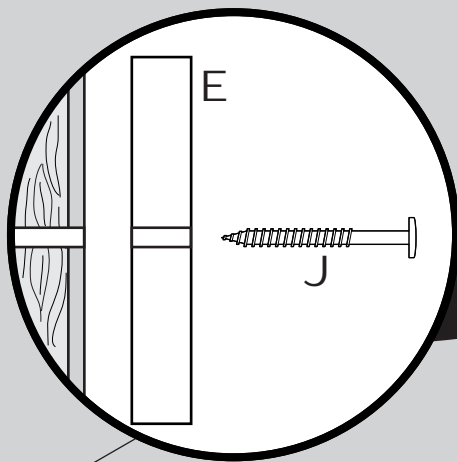
- 8.1 Determine the mounting location for the unit.
- 8.2 Using a stud finder, locate studs to which the unit will be secured. Mark stud locations with a pencil.
- 8.3 With the unit positioned at the desired location, level the unit, then drill pilot holes through Rear Hanging Cleats (C).

NOTE: Depending on the selected mounting location, it is possible that only one stud will pass through the unit. In this case, use two screws through each Rear Hanging Cleat.

# ASSEMBLY AND INSTALLATION INSTRUCTIONS HUTCH



9

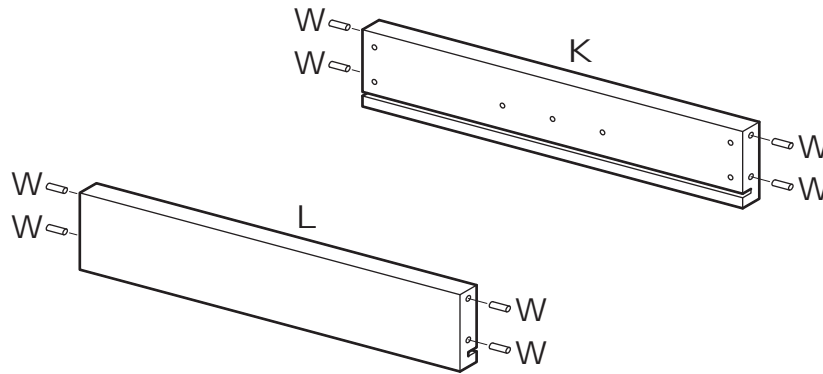


9.1 Secure Rear Cleats (E) to studs using six 2.5" screws (J).

# ASSEMBLY AND INSTALLATION INSTRUCTIONS HUTCH

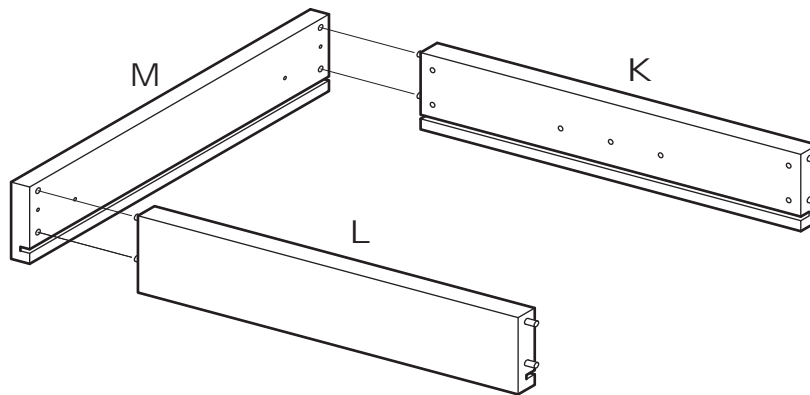


## 10



10.1 Insert Wood Dowels (W) into holes in ends of Front Drawer Panel (K) and Rear Drawer Panel (L).

## 11

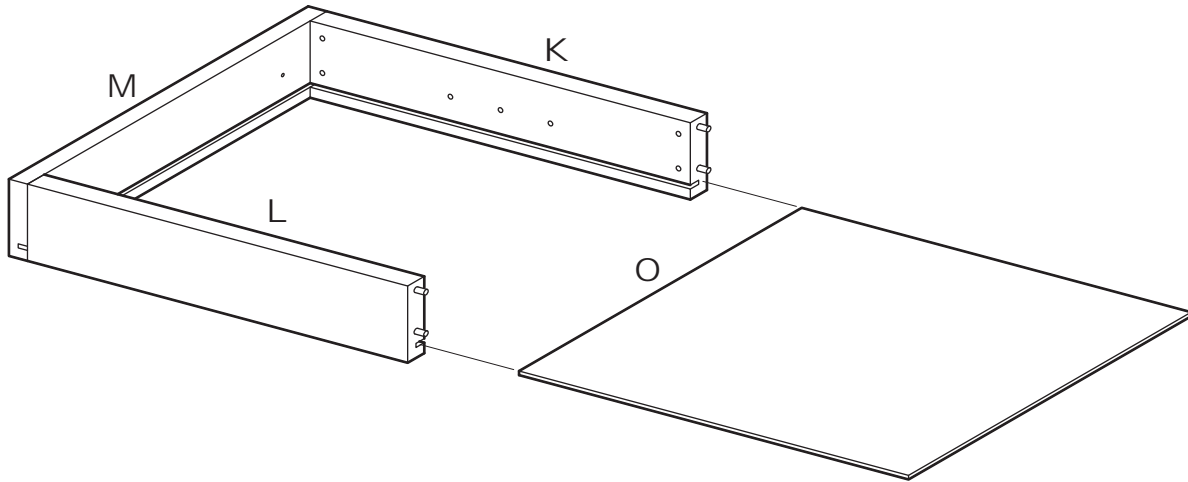


11.1 Align Wood Dowels in Front Drawer Panel (K) and Rear Drawer Panel (L) with holes in one Side Drawer Panel (M), and press components together until flush.

# ASSEMBLY AND INSTALLATION INSTRUCTIONS HUTCH



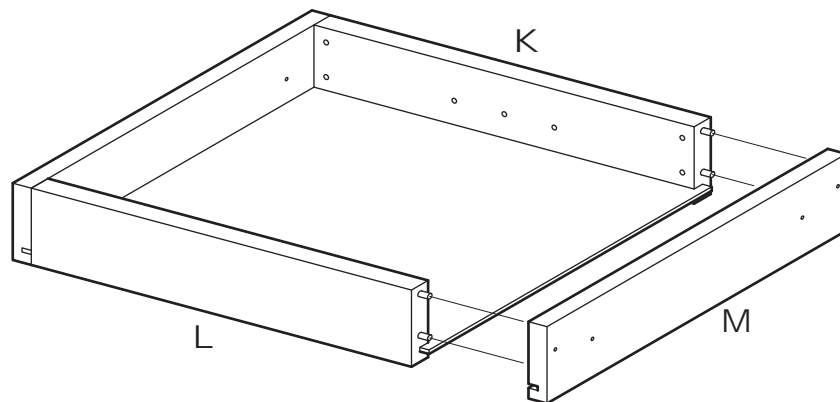
## 12



NOTE: Be sure to install Drawer Bottom (O) with finished side facing up.

- 12.1 Align Drawer Bottom (O) with slots in Front Drawer Panel (K) and Rear Drawer Panel (L), then slide Drawer Bottom into assembled Drawer Panels until Drawer Bottom is seated against Side Drawer Panel (M).

## 13

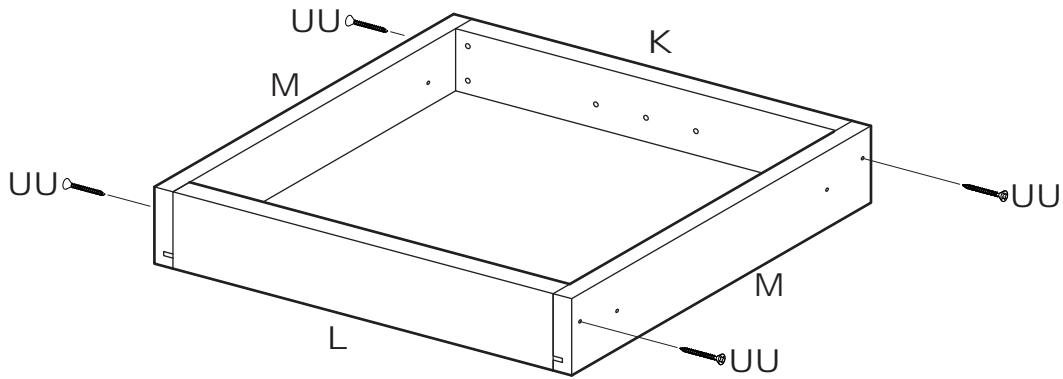


- 13.1 Align Side Drawer Panel (M) with Wood Dowels in Front Drawer Panel (K) and Rear Drawer Panel (L) and press Side Drawer Panel (M) onto assembled components until flush.

# ASSEMBLY AND INSTALLATION INSTRUCTIONS HUTCH

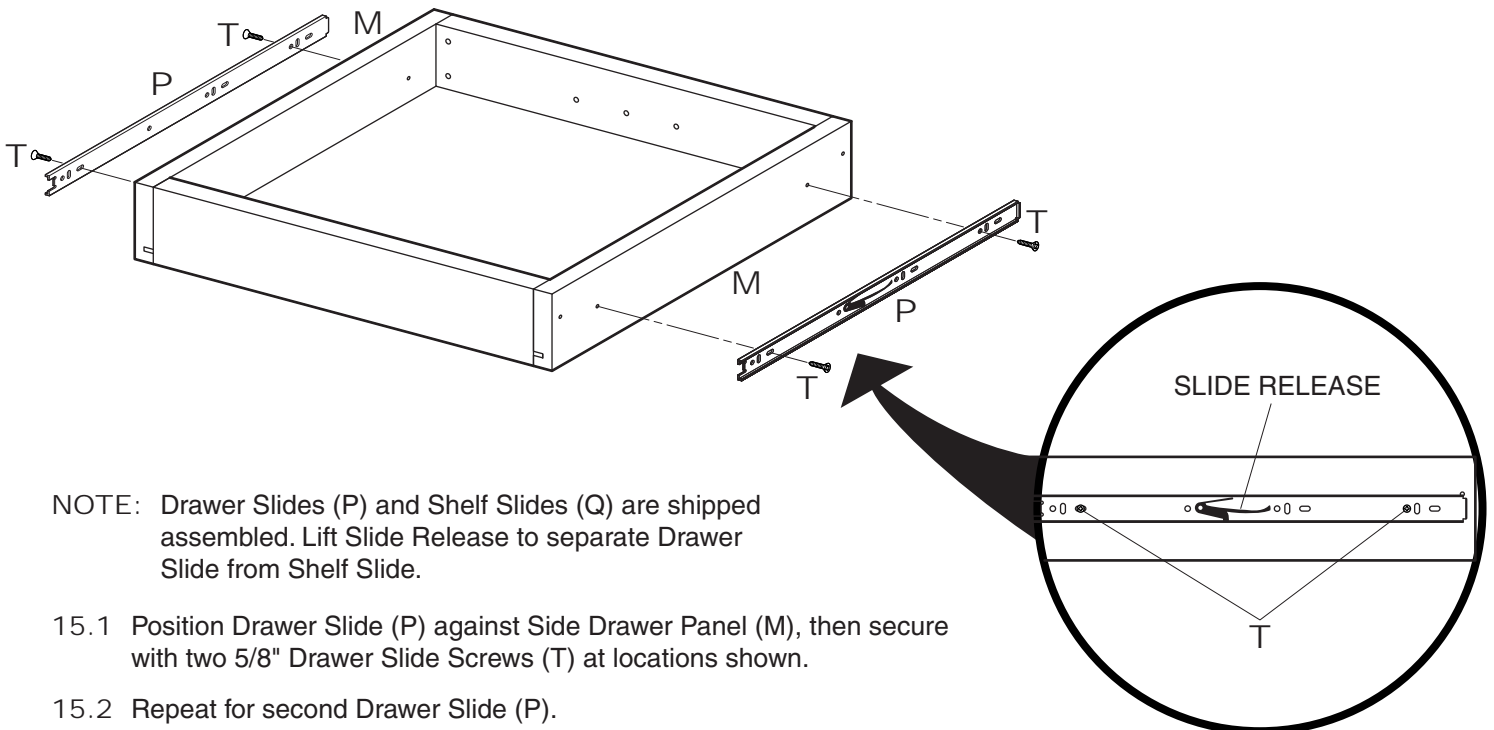


## 14



14.1 Secure Side Drawer Panels (M) to Front Drawer Panel (K) and Rear Drawer Panel (L) using 1.5" Drawer Side Screws (UU).

## 15



NOTE: Drawer Slides (P) and Shelf Slides (Q) are shipped assembled. Lift Slide Release to separate Drawer Slide from Shelf Slide.

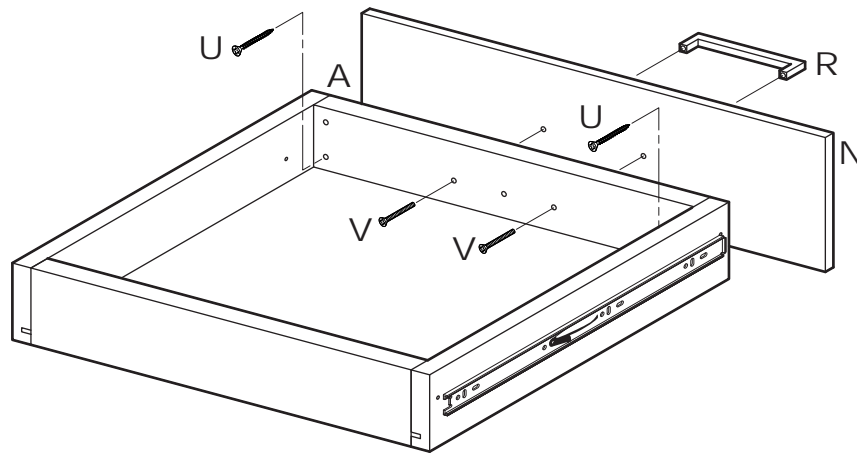
15.1 Position Drawer Slide (P) against Side Drawer Panel (M), then secure with two 5/8" Drawer Slide Screws (T) at locations shown.

15.2 Repeat for second Drawer Slide (P).

ASSEMBLY AND  
INSTALLATION INSTRUCTIONS  
HUTCH



16



NOTE: DO NOT overtighten Screws (U) or surface of Drawer Front (N) may become dimpled.

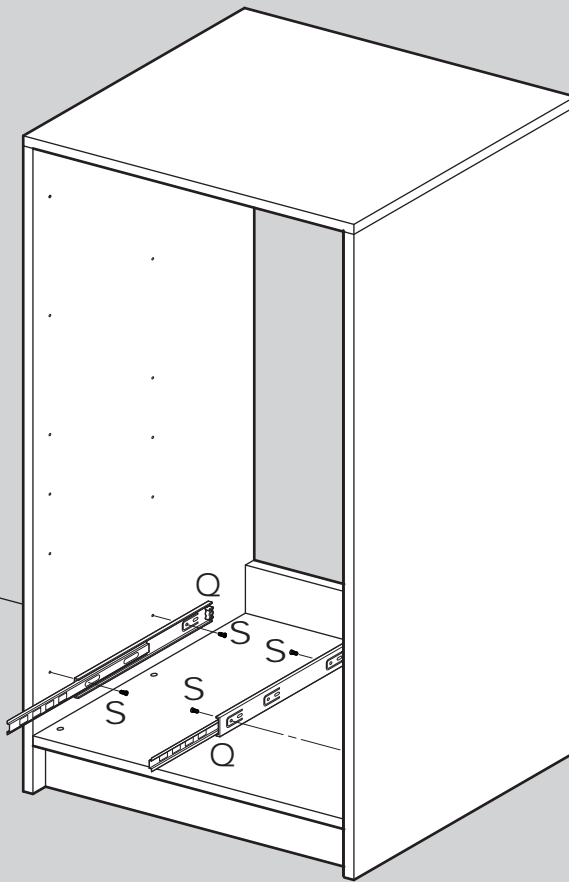
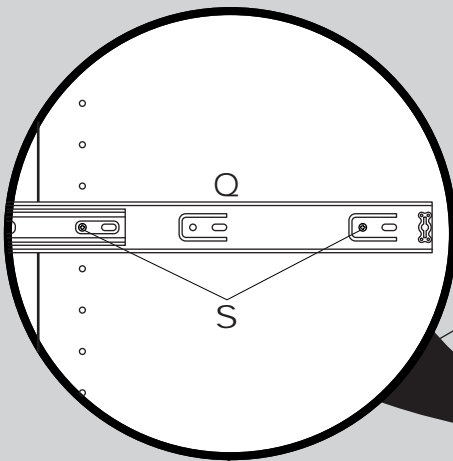
16.1 Position Drawer Front (N) on assembled Drawer and secure to Front Drawer Panel (K) with 1.0" Screws (U).

16.2 Install Drawer Handle (R) on Drawer and secure with two 1.5" Screws (V).

# ASSEMBLY AND INSTALLATION INSTRUCTIONS HUTCH



17



17.1 Position Shelf Slide (Q) over pre-drilled holes in Base Side Panel, then secure with two 5/8" Screws (S) at locations shown.

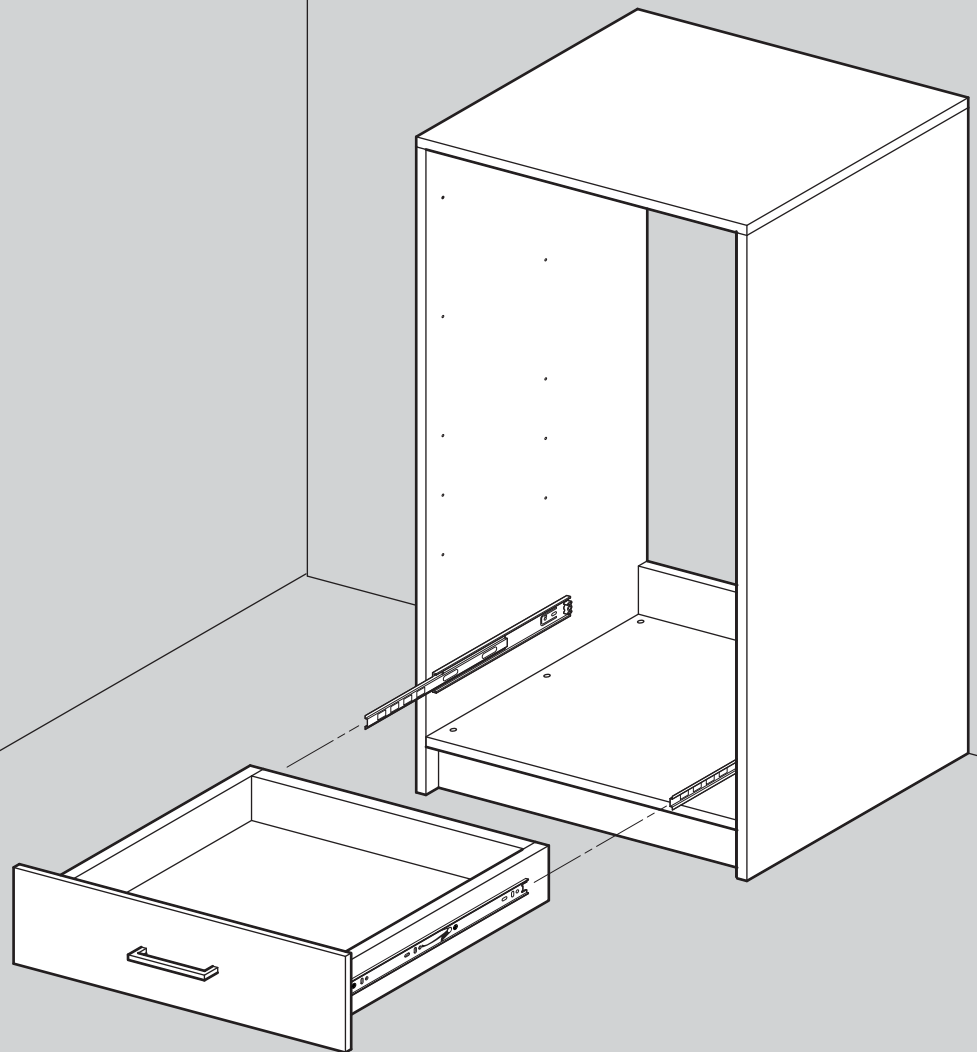
17.2 Repeat for second Shelf Slide (Q).

*Tip: For best results, use a small level to ensure Shelf Slides (Q) are properly positioned before tightening.*

ASSEMBLY AND  
INSTALLATION INSTRUCTIONS  
HUTCH



18



18.1 Slide Drawer onto Shelf Slides until slides latch.

18.2 Repeat steps 16 through 24 for the remaining four drawers.