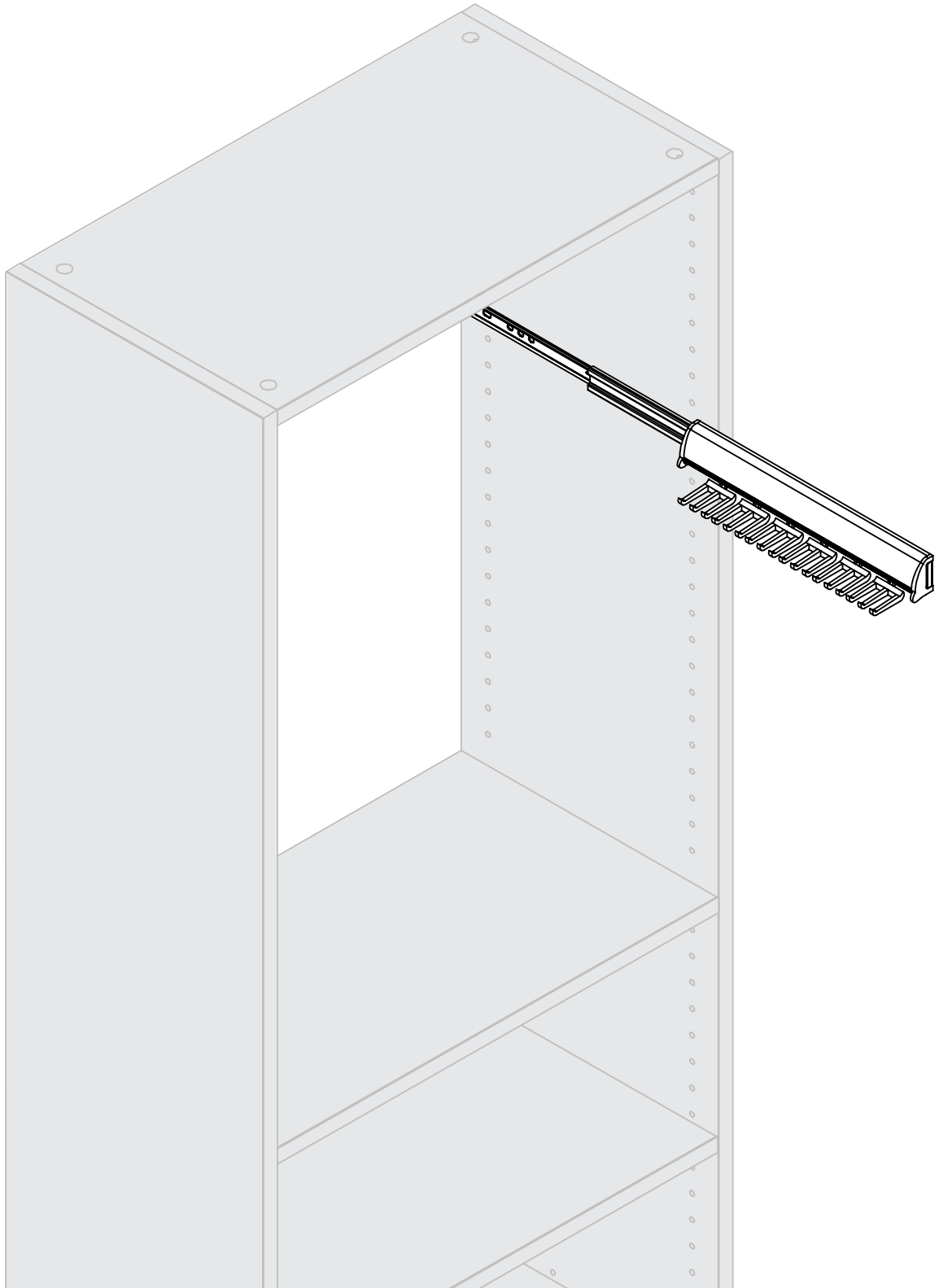
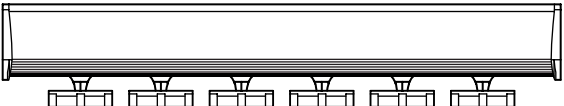
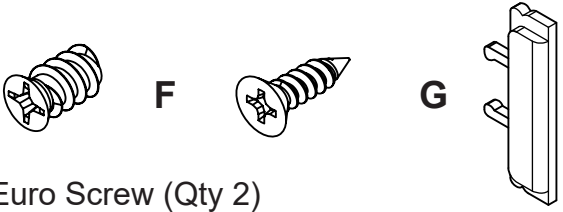
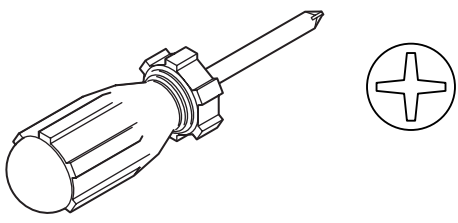
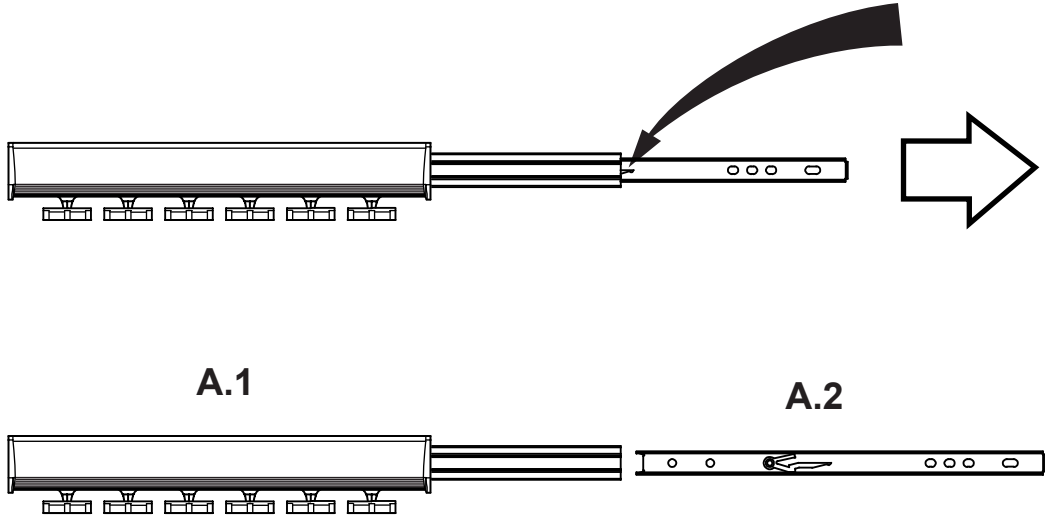


Tie Rack



PARTS LIST	TOOLS REQUIRED
 <p>A Tie Rack (Qty 1)</p>  <p>E Euro Screw (Qty 2) F 5/8in Wood Screw (Qty 2) G Rack End Cap</p>	<p>(not included)</p> <p>#2 Phillips Driver</p> 

1



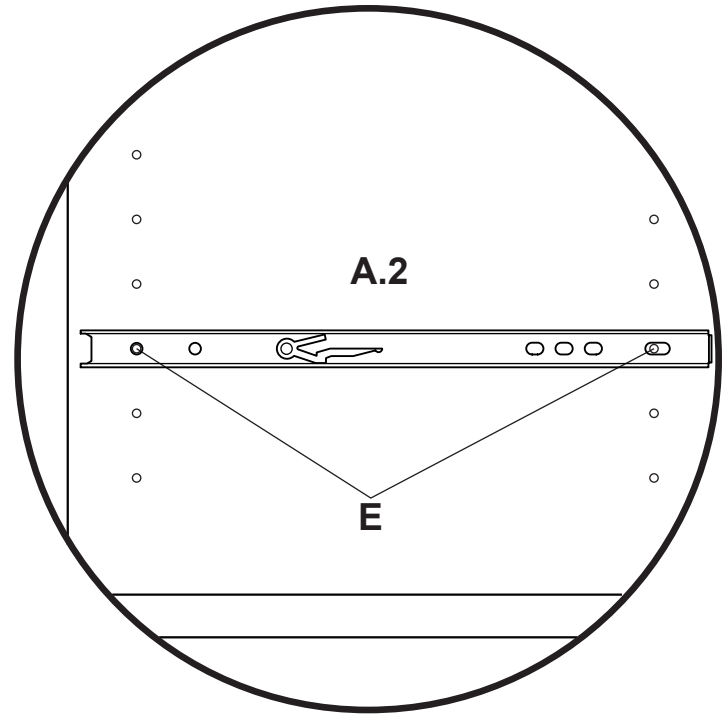
A.1 **A.2**

NOTE: Each Tie Rack is shipped assembled. To separate, lift the plastic catch on the Panel Side and pull the slide out of the Rack Side

2

2.1 For each Tie v Rack, position the slide at desired height then line up the first and last holes with the corresponding shelf pin holes. Attach with supplied Euro Screws (E)

2.3 If mounting to the outside of a unit, use supplied wood screws (F)



2.2 Re-assemble the Tie Rack, insert the end cap and installation is complete

