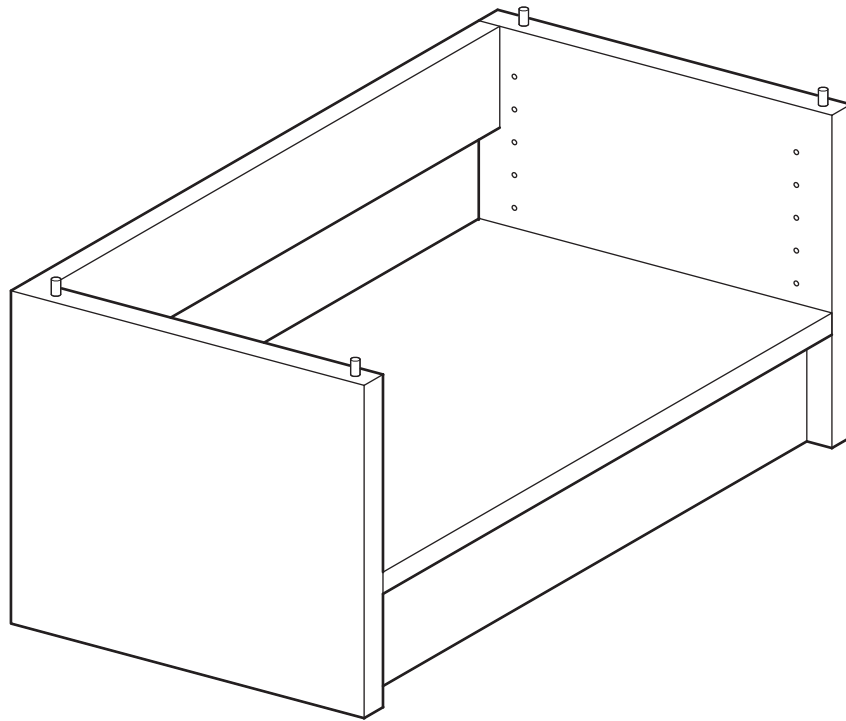


modular  
closets.

support@modularclosets.com

1-844-969-4247

# TOE KICK

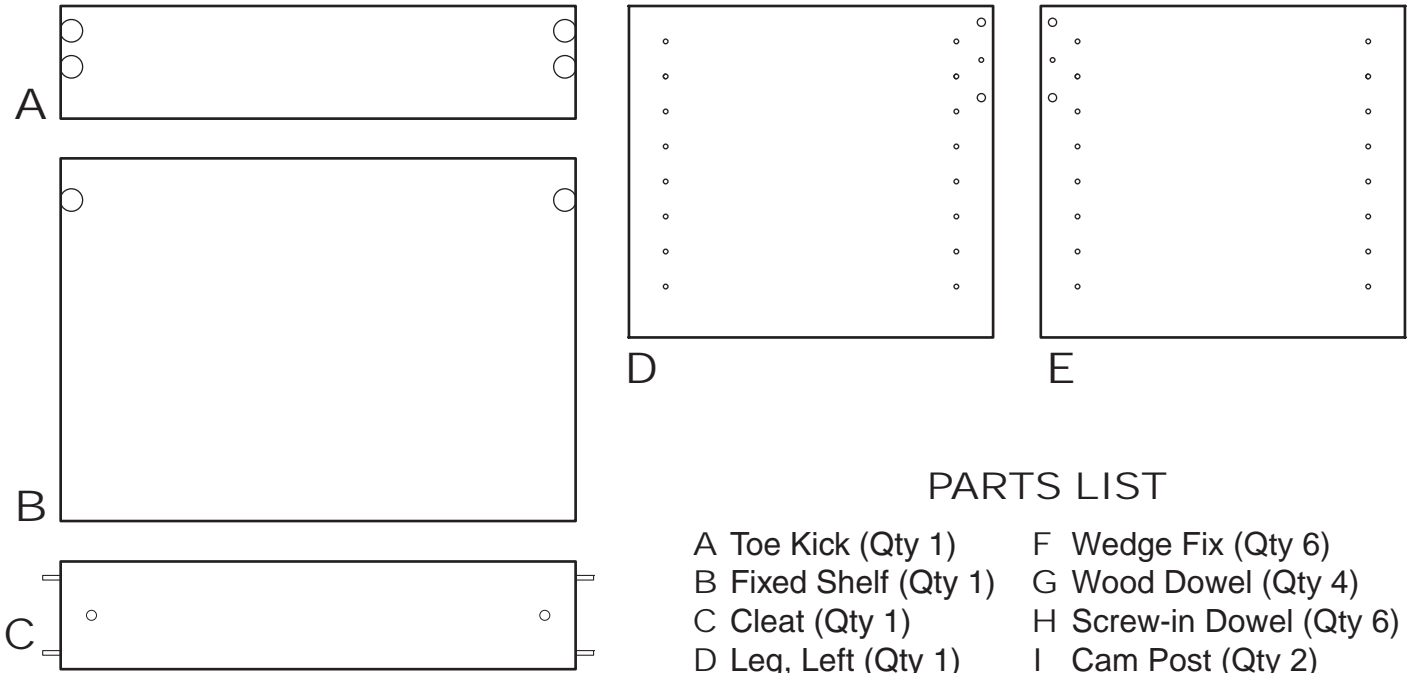


## ASSEMBLY AND INSTALLATION INSTRUCTIONS

# ASSEMBLY AND INSTALLATION INSTRUCTIONS TOE KICK

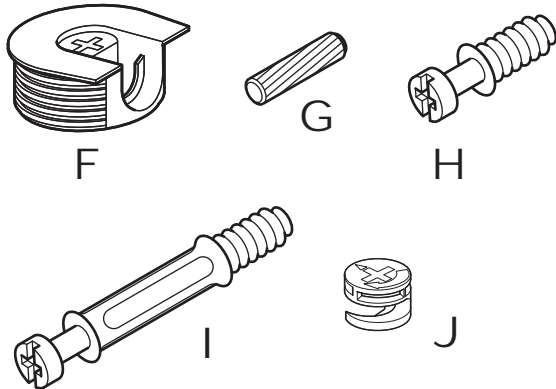


## 1A

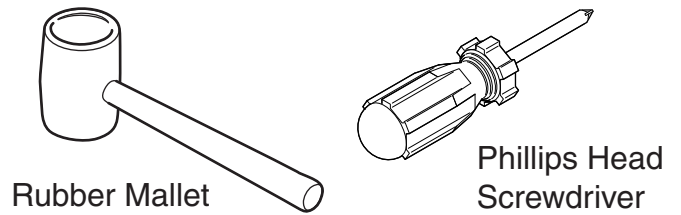


### PARTS LIST

- |                       |                          |
|-----------------------|--------------------------|
| A Toe Kick (Qty 1)    | F Wedge Fix (Qty 6)      |
| B Fixed Shelf (Qty 1) | G Wood Dowel (Qty 4)     |
| C Cleat (Qty 1)       | H Screw-in Dowel (Qty 6) |
| D Leg, Left (Qty 1)   | I Cam Post (Qty 2)       |
| E Leg, Right (Qty1)   | J Camlock (Qty 2)        |



### TOOLS REQUIRED (not included)



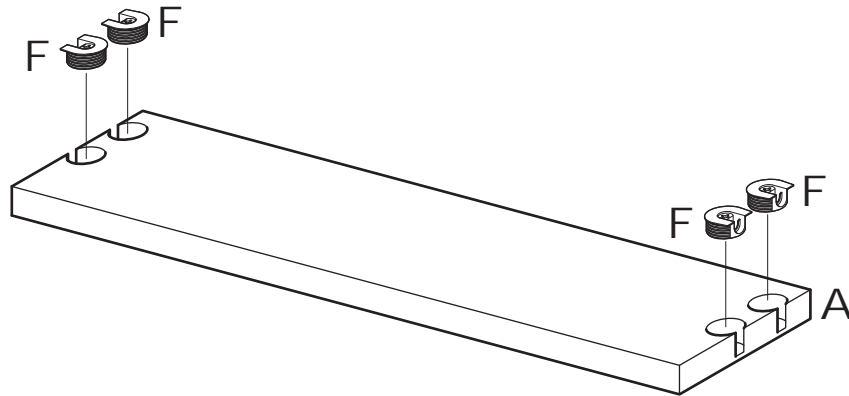
## 1B

- 1.1 Lay parts out on a protective surface to prevent damage. **Tip:** Spread out the cardboard packaging to use as a protective surface.
- 1.2 Inventory parts against the Parts List. Make sure all parts are present before proceeding.

# ASSEMBLY AND INSTALLATION INSTRUCTIONS TOE KICK

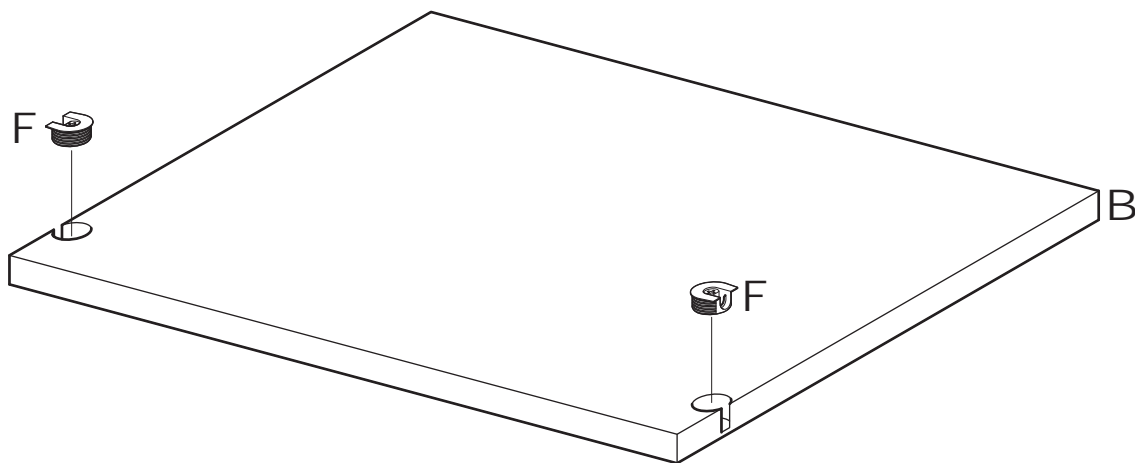


## 2



- 2.1 Place Toe Kick (A) on a level surface, with the back side facing up. Insert four Wedge Fixes (F) into recesses in Toe Kick.
- 2.2 Gently tap each Wedge Fix (F) into Toe Kick (A) using a rubber mallet until lip on Wedge Fix is flush with surface of Toe Kick.

## 3

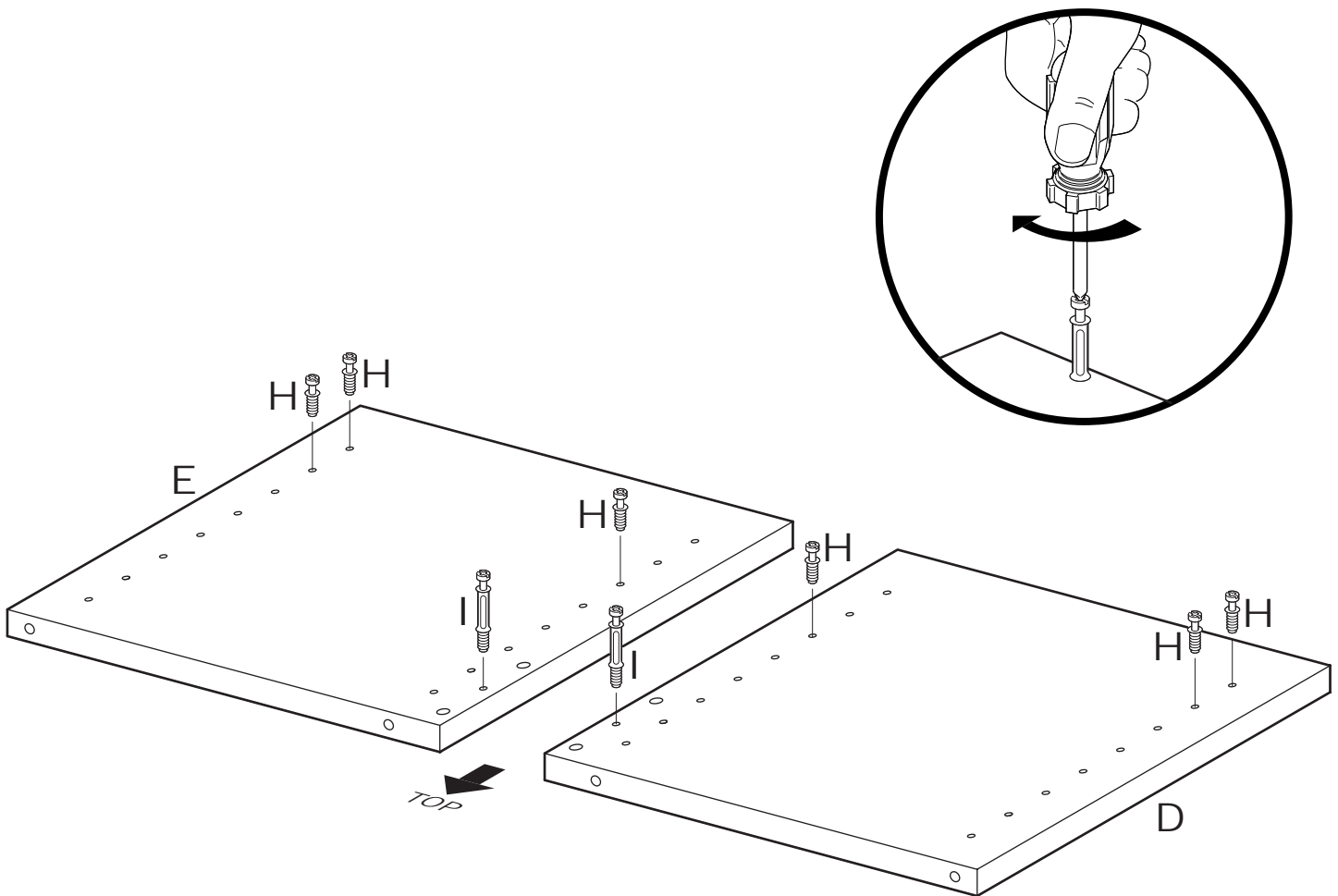


- 3.1 Place Fixed Shelf (B) on a level surface, with the bottom facing up. Insert two Wedge Fixes (C) into recesses in Shelf.
- 3.2 Gently tap each Wedge Fix (F) into Fixed Shelf (B) using a rubber mallet until lip on Wedge Fix is flush with surface of Shelf.

# ASSEMBLY AND INSTALLATION INSTRUCTIONS TOE KICK



4

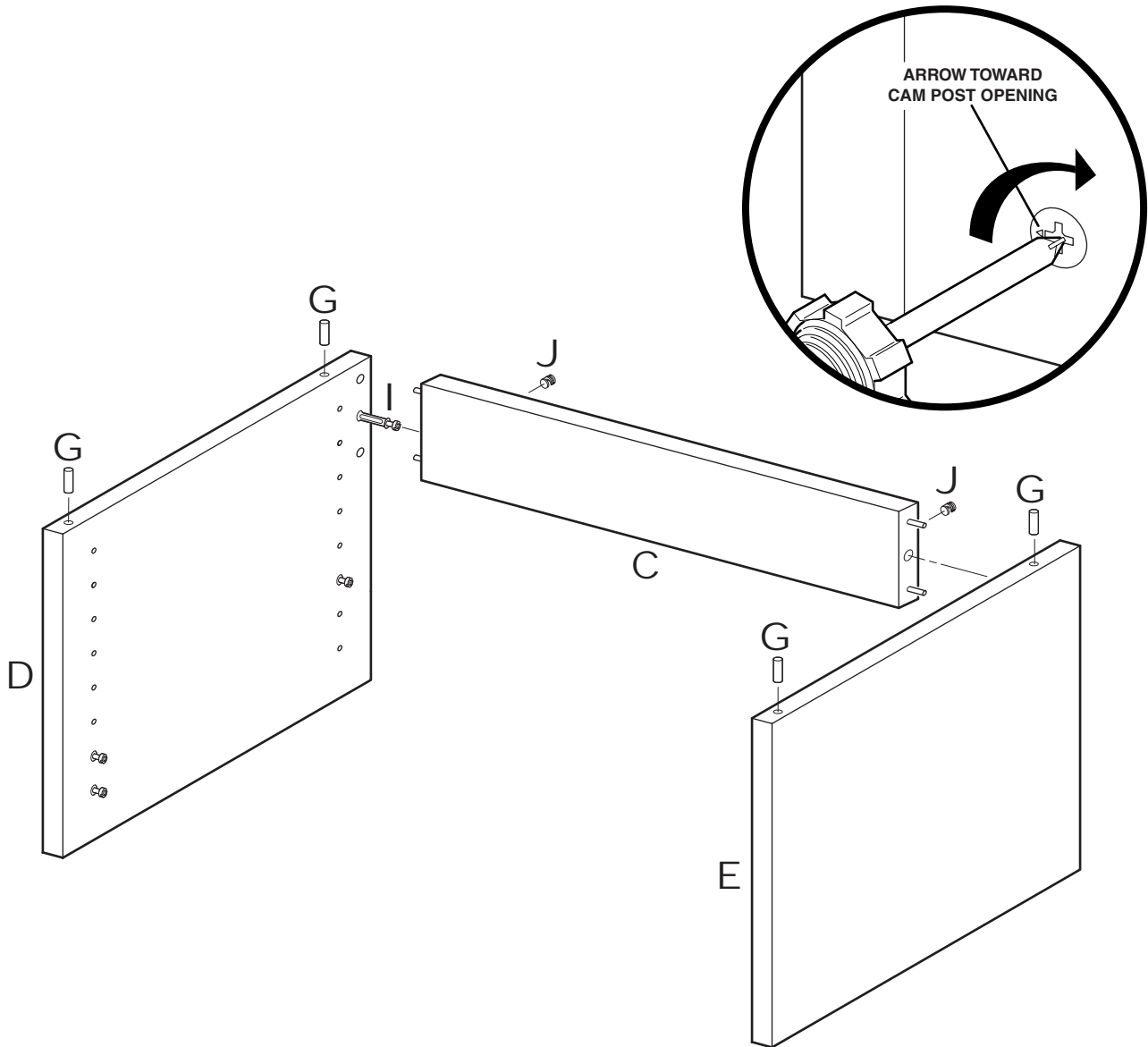


- 4.1 Install Cam Posts (I) into each of the 2 holes on Left Leg (D) and Right Leg (E). Tighten until Cam Posts are seated against Legs.
- 4.2 Install Screw-In Dowels (H) into the six holes on Left Leg (D) and Right Leg (E). Tighten until Dowels are seated against Legs.

# ASSEMBLY AND INSTALLATION INSTRUCTIONS TOE KICK



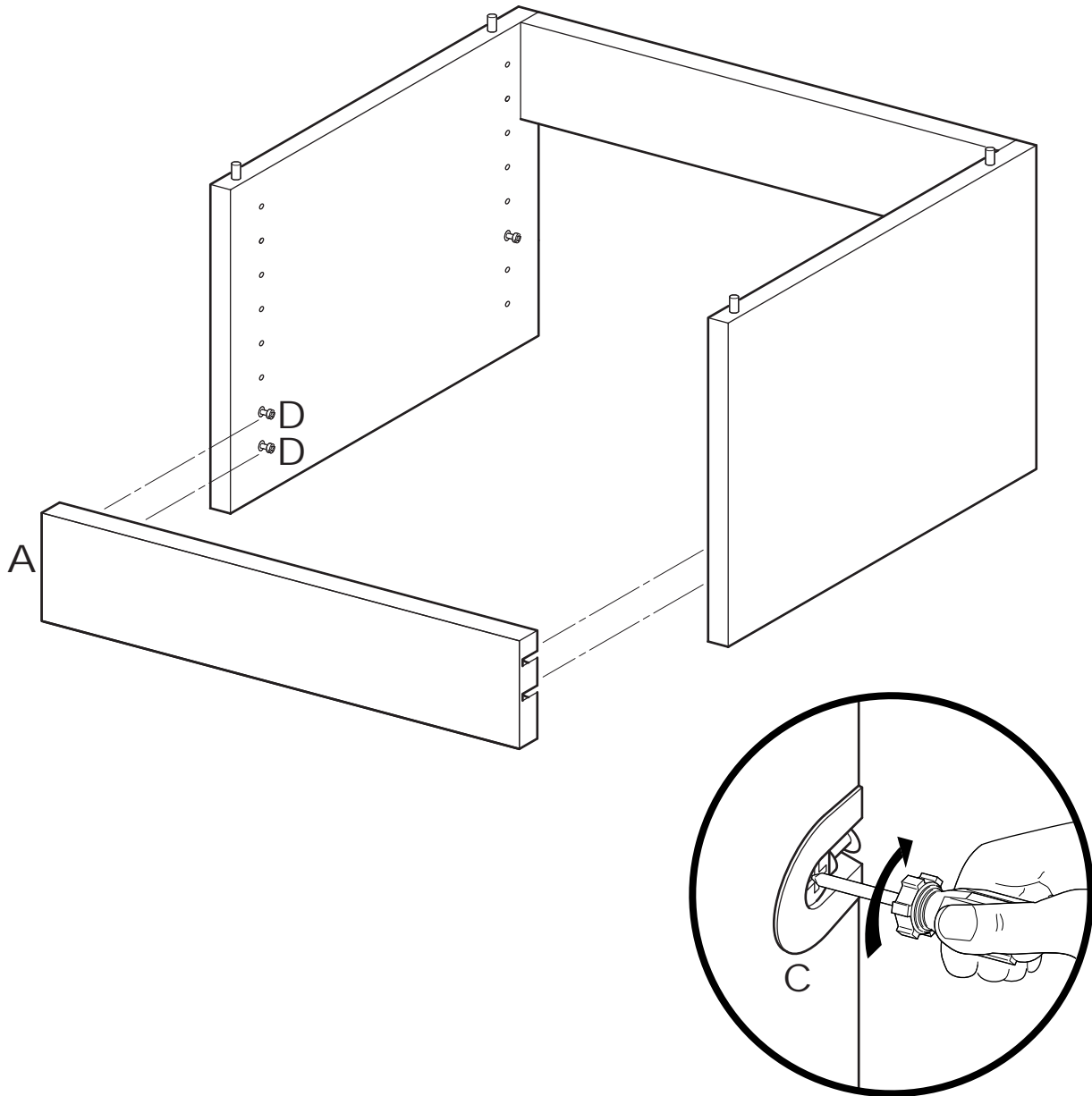
5



- 5.1 Insert four Wood Dowels (G) into holes in edges of Left Leg (D) and Right Leg (E).
- 5.2 Assemble Left Leg (D) and Right Leg (E) onto Cleat (C) by sliding the Cam Posts (I) into Cleat. BE SURE wood dowels in Cleat engage drilled holes in Legs, and all parts are pressed flush against each other.
- 5.3 Insert Camlocks (J) in holes in Cleat (C), with arrow pointing toward Cam Post opening. BE SURE Camlocks engage Cam Posts, and are fully seated in Cleat. Tighten Camlocks (J) clockwise to lock.

# ASSEMBLY AND INSTALLATION INSTRUCTIONS TOE KICK

6

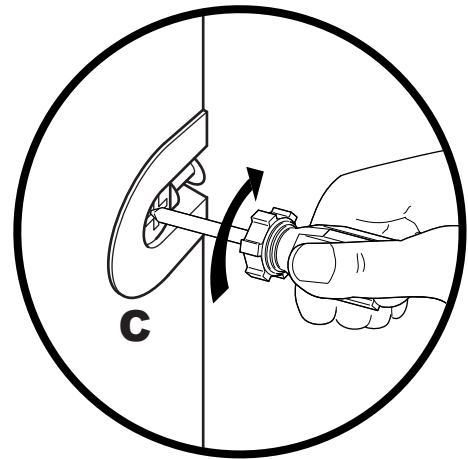
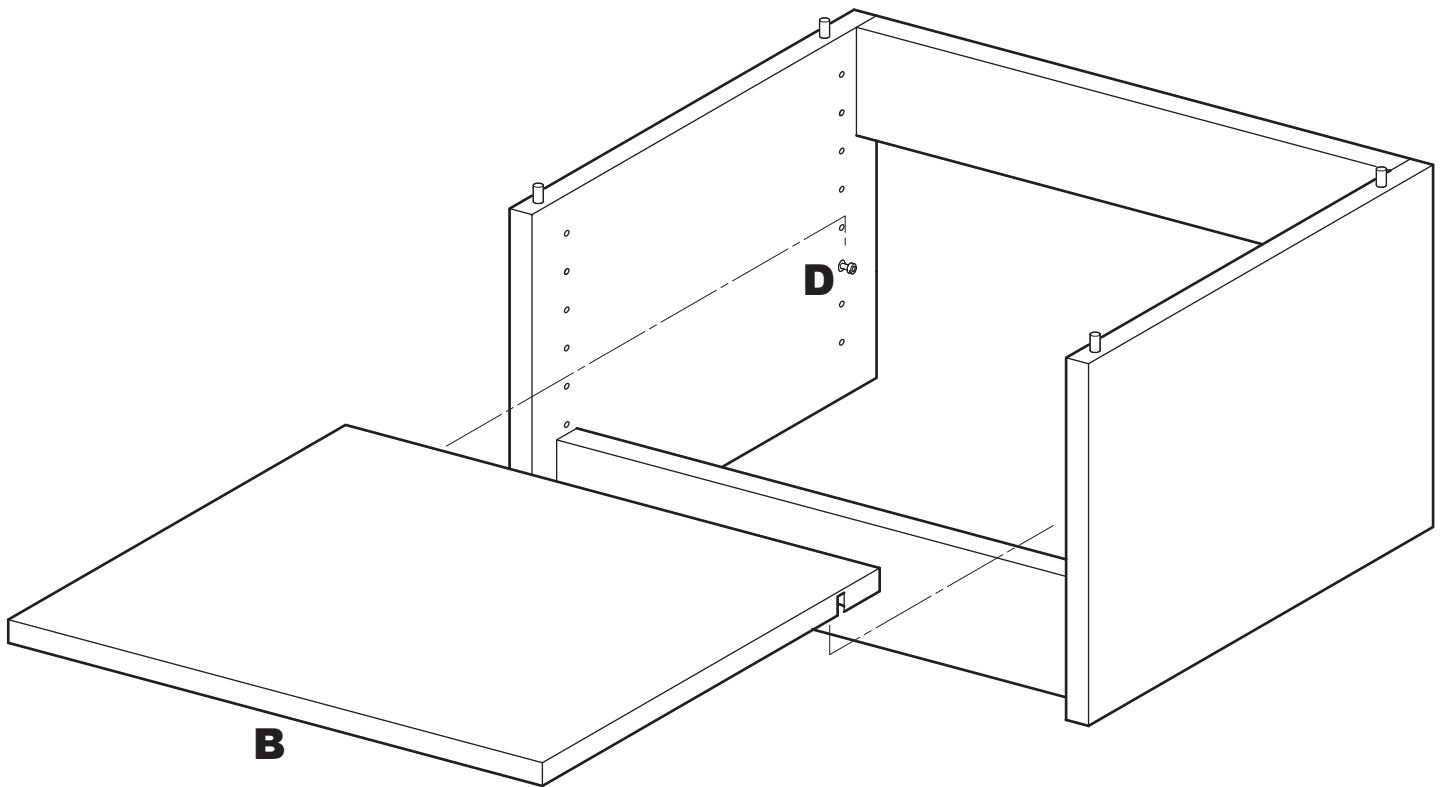


- 6.1 Align Wedge Fixes (C) in Toe Kick (A) with Screw-in Dowels (D) on Leg Extension Kit, then press Toe Kick in place until Dowels fully engage Wedge Fixes.
- 6.2 Tighten Wedge Fixes (C) clockwise to lock.

# ASSEMBLY AND INSTALLATION INSTRUCTIONS TOE KICK



**7**



**7.1** Slide Fixed Shelf (B) into place in Leg Extension Kit. Align Wedge Fixes (C) in Shelf with Screw-in Dowels (D) on Leg Extension Kit, then press Shelf in place until Dowels fully engage Wedge Fixes. Front of Shelf will rest on Toe Kick.

**7.2** Tighten Wedge Fixes (C) clockwise to lock.