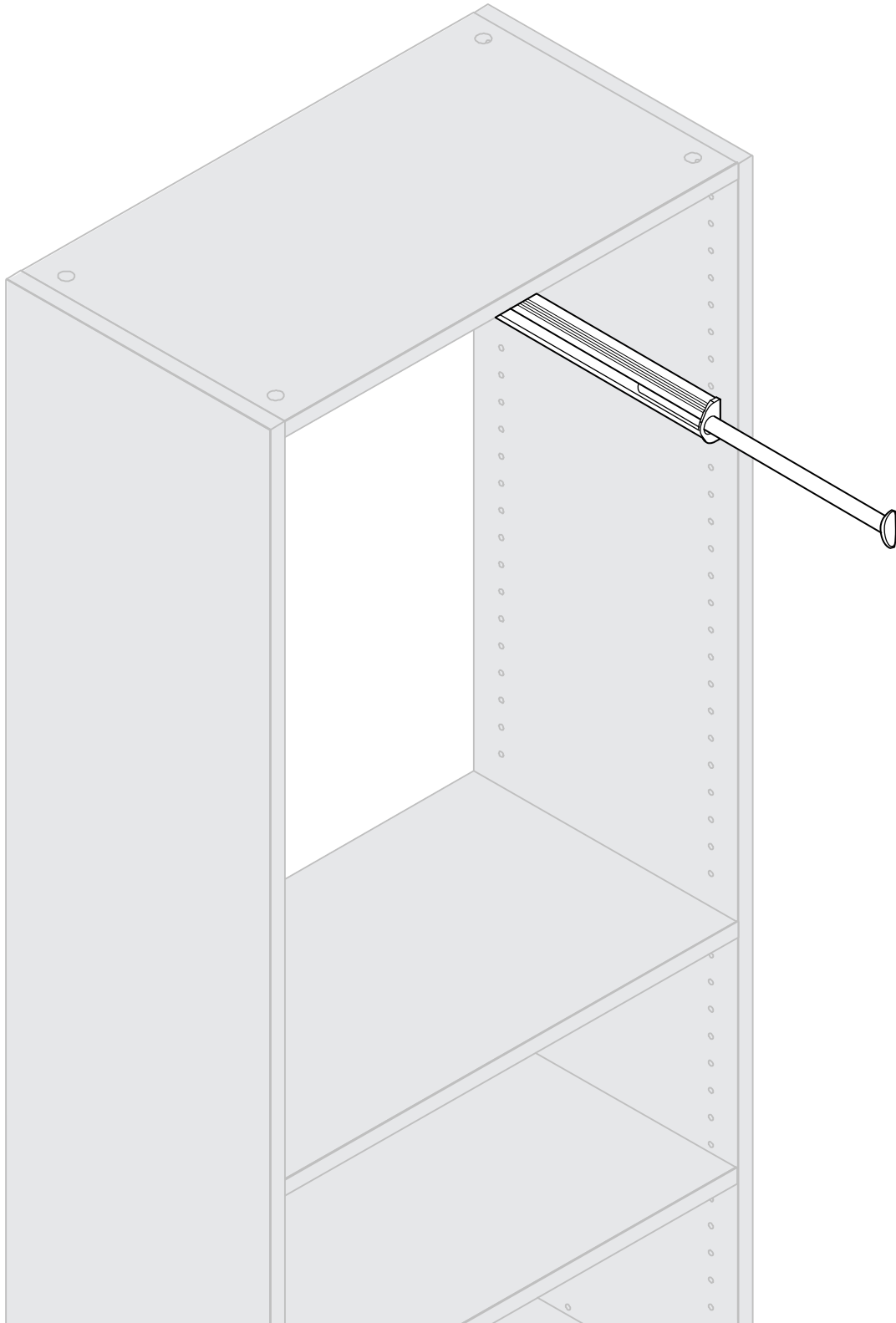

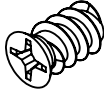
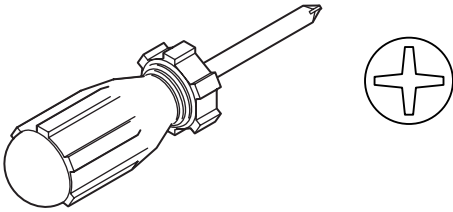


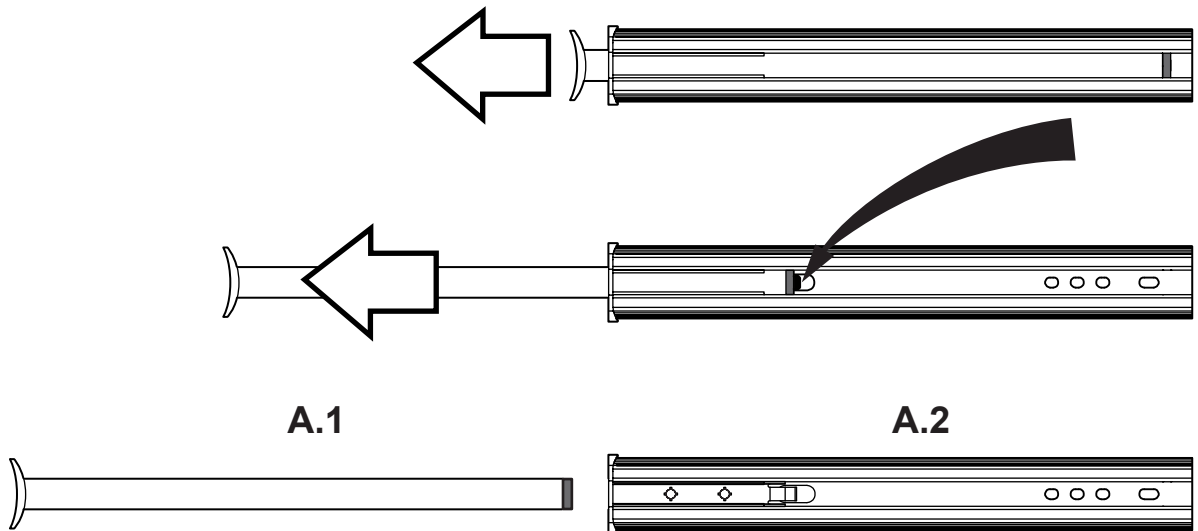
Valet Rod



Valet Rod

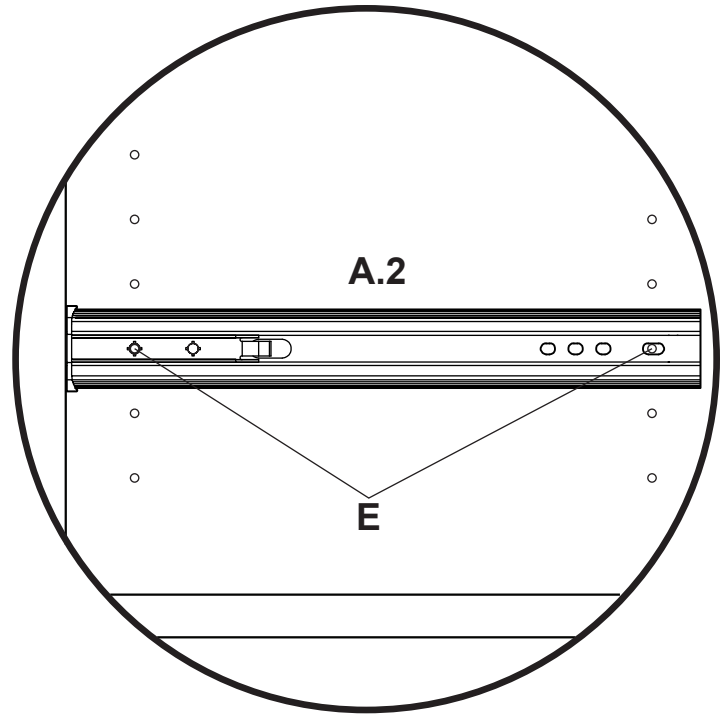
PARTS LIST	TOOLS REQUIRED
 <p>A Valet Rod (Qty 1)</p>  <p>E Euro Screw (Qty 3)</p>	<p>(not included)</p> <p>#2 Phillips Driver</p> 

1



1.1 Fully extend the Valet Rod then release the assembly by pressing on the black tab

2



2.1 For each Valet Rod, position the slide at desired height then line up the first and last holes with the corresponding shelf pin holes. Attach with supplied Euro Screws (E)

2.2 Re-assemble the Valet Rod and it is ready for use

