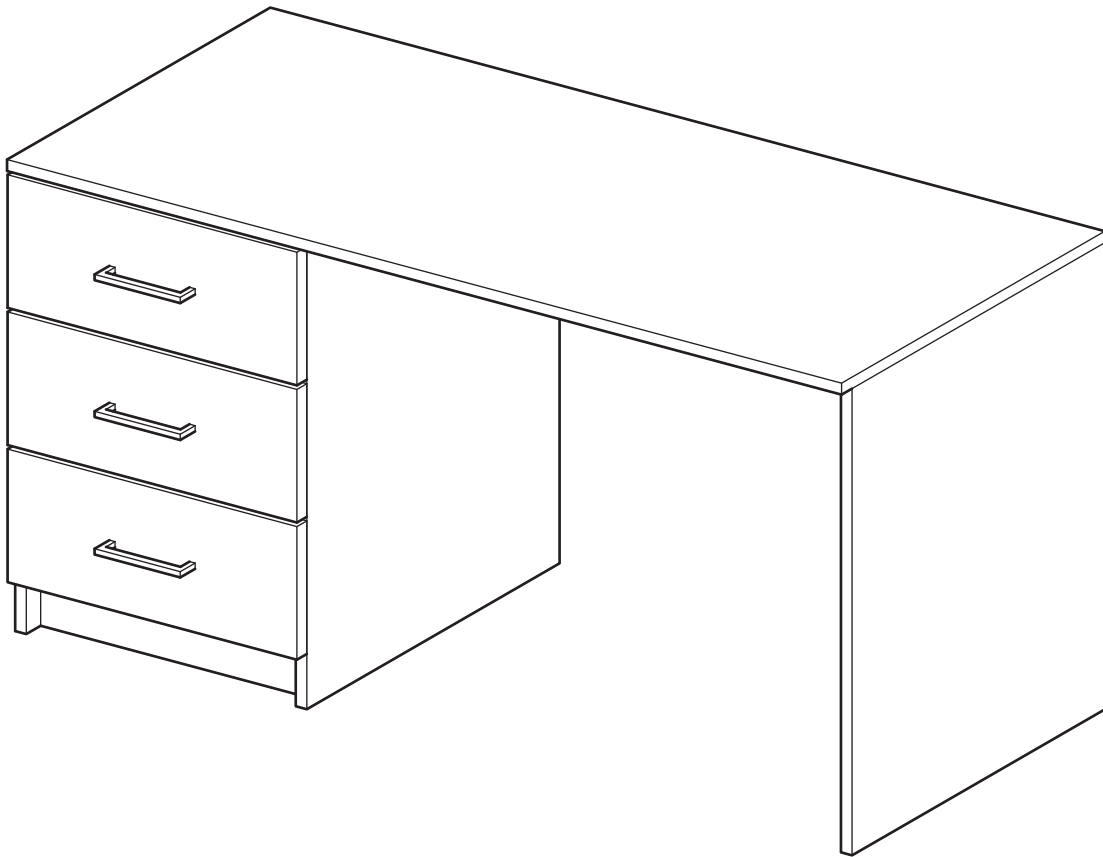


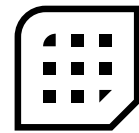
VANITY, 1936R



ASSEMBLY AND INSTALLATION INSTRUCTIONS

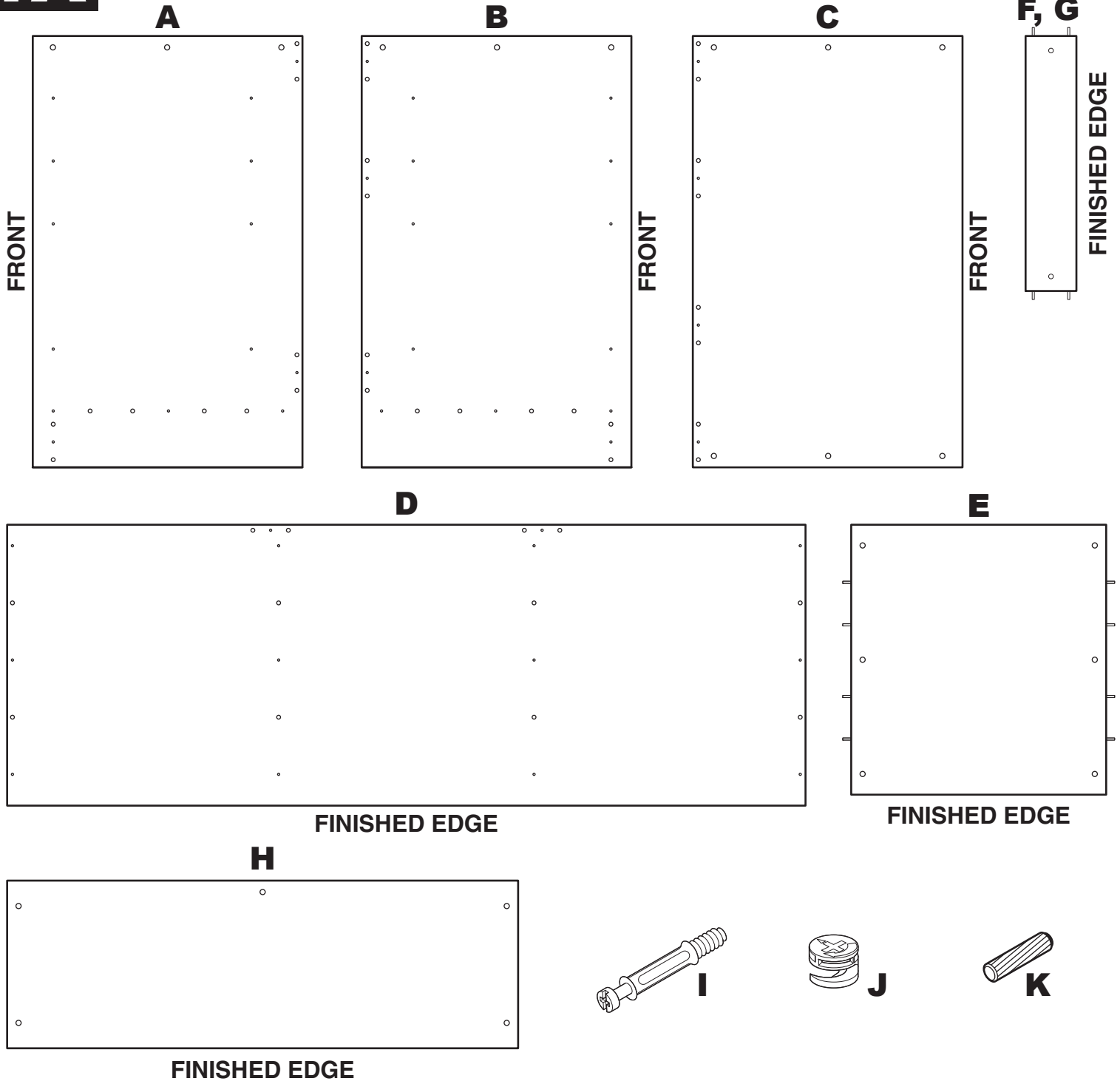
ASSEMBLY AND INSTALLATION INSTRUCTIONS

VANITY, 1936R



modular
closets.

1A



PARTS LIST

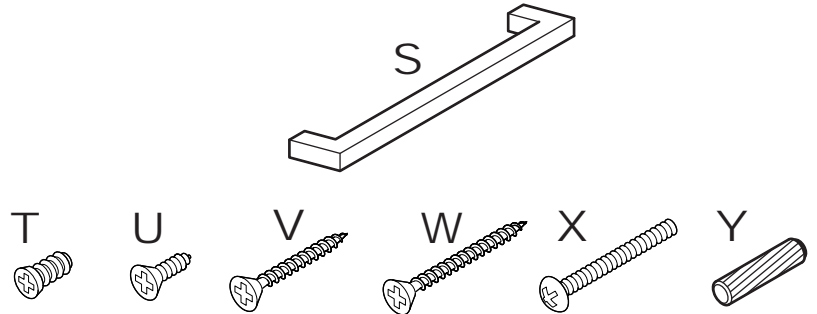
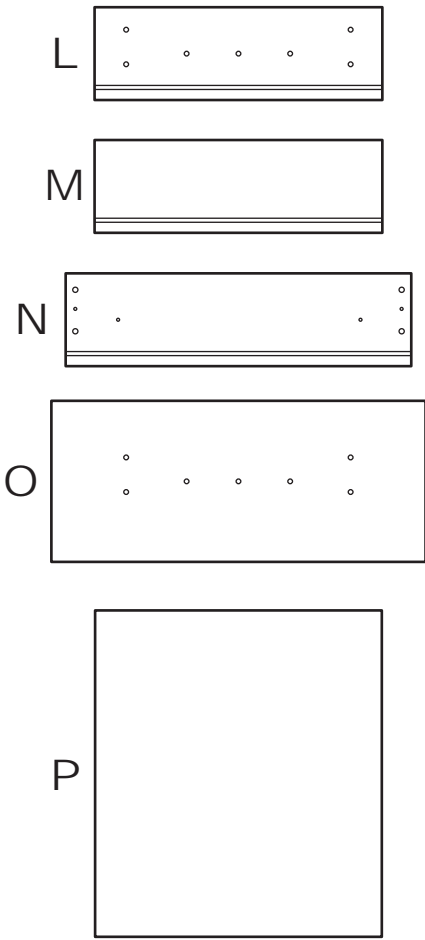
- | | | | | | |
|----------|--------------------------|----------|--------------------|----------|--------------------------|
| A | Left Side Panel (Qty 1) | E | Set Shelf (Qty 1) | I | Cam Post (Qty 25) |
| B | Right Side Panel (Qty 1) | F | Rear Cleat (Qty 2) | J | Camlock (Qty 25) |
| C | Right Leg (Qty 1) | G | Toe Kick (Qty 1) | K | Wood Dowel, 8mm (Qty 14) |
| D | Top (Qty 1) | | | | |

ASSEMBLY AND INSTALLATION INSTRUCTIONS

VANITY, 1936R



1B



PARTS LIST

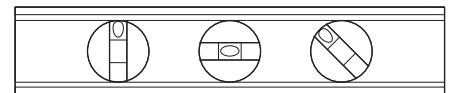
- L Drawer Panel, Front (Qty 3)
- M Drawer Panel, Rear Qty (3)
- N Drawer Panel, Side (Qty 6)
- O Drawer Front (Qty 3)
- P Drawer Bottom (Qty 3)
- Q Drawer Slide (Qty 6)
- R Shelf Slide (Qty 6)
- S Drawer Handle (Qty 3)
- T Euro Screw, 5/8" (Qty 12)
- U Screw, 5/8" (Qty 12)
- V Screw, 1" (Qty 12)
- W Screw, 1.5" (Qty 12)
- X Screw, 1.5" (Qty 6)
- Y Wood Dowel, 6mm (Qty 24)



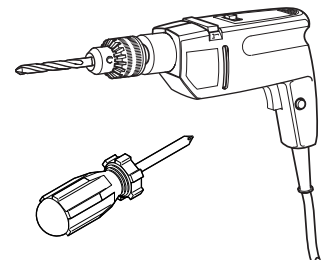
1C

- 1.1 Lay parts out on a protective surface to prevent damage. **Tip:** Spread out the cardboard packaging to use as a protective surface.
- 1.2 Inventory parts against the Parts List. Make sure all parts are present before proceeding.

TOOLS REQUIRED (not included unless noted)



Level
Drill, 5/32" bit size
Phillips Screwdriver

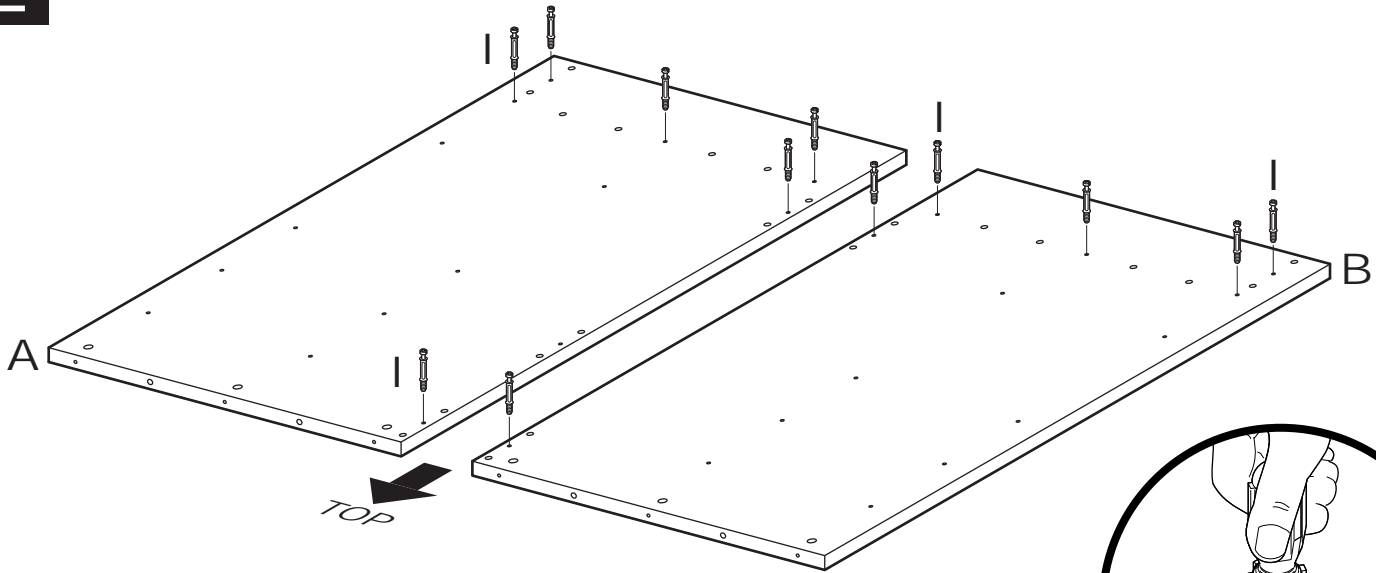


ASSEMBLY AND INSTALLATION INSTRUCTIONS

VANITY, 1936R

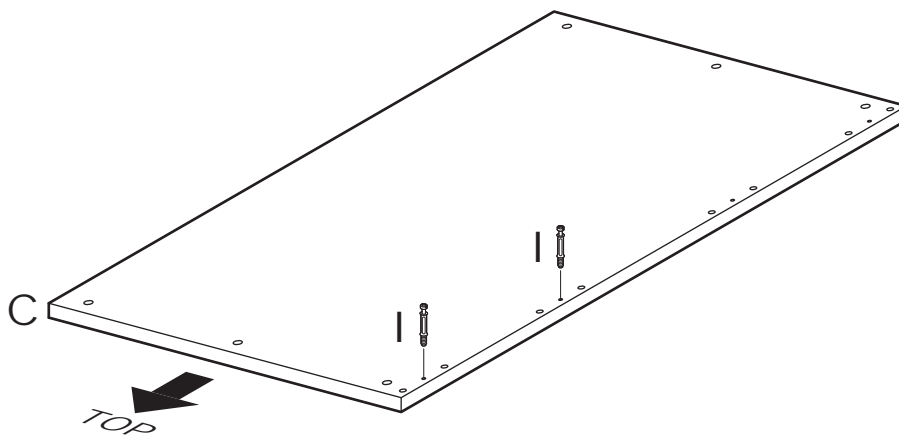


2



- 2.1 Install one Cam Post (I) into each of the six holes on Left Side Panel (A) and Right Side Panel (B). Tighten until Cam Posts are seated against Side Panels.

3

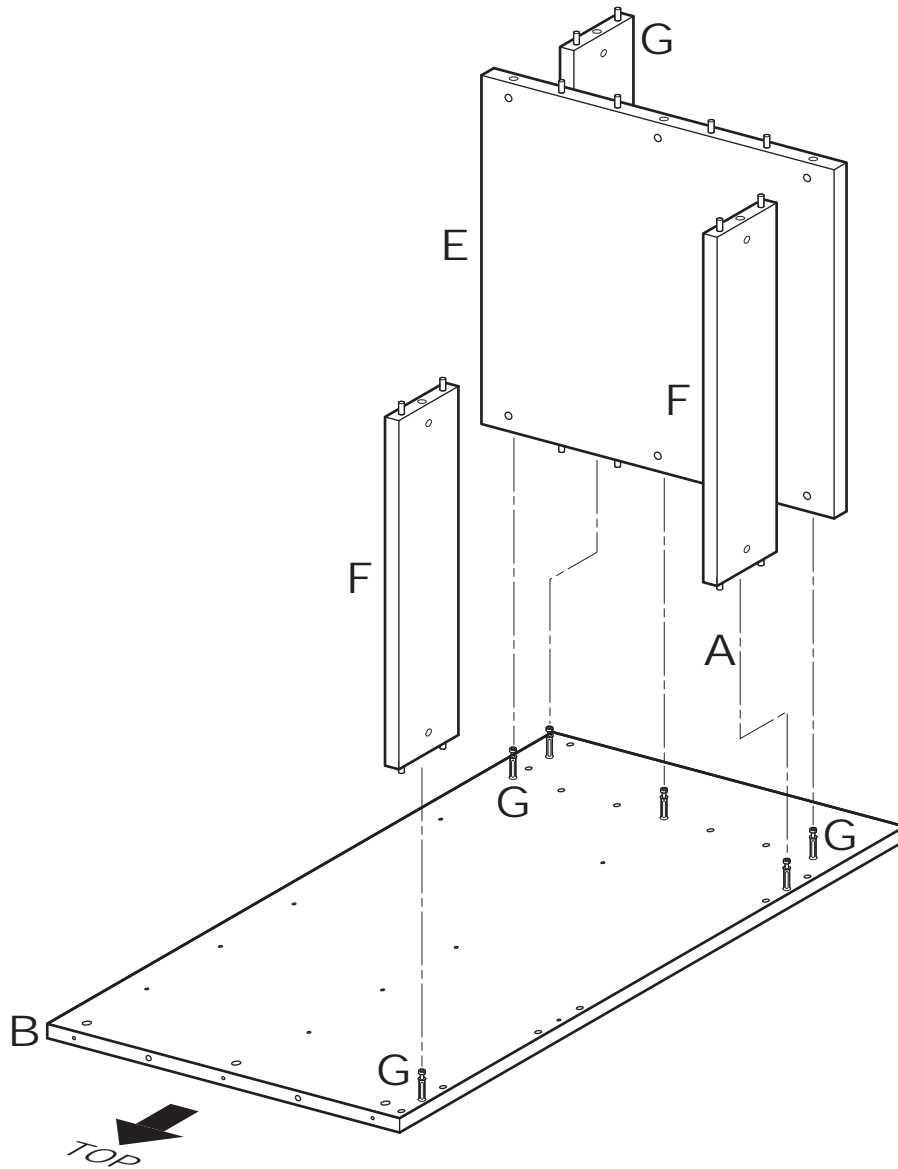


- 3.1 Install one Cam Post (I) into each of the 2 holes on Right Leg (C). Tighten until Cam Posts are seated against Leg.

ASSEMBLY AND INSTALLATION INSTRUCTIONS VANITY, 1936L



4



- 4.1 Assemble Set Shelf (E), Rear Cleats (F) and Toe Kick (G) onto Right Side Panel (B) by sliding the Shelves, Cleats and Toe Kick onto Cam Posts (I) on Right Side Panel. BE SURE dowel pins in Shelves, Cleats and Toe Kick engage drilled holes in Right Side Panel, and all parts are pressed flush against Panel.

IMPORTANT NOTES

Install Set Shelf (E) with finished edge facing forward (toward front of unit) and holes for Cam Locks facing up (toward the top of the unit).

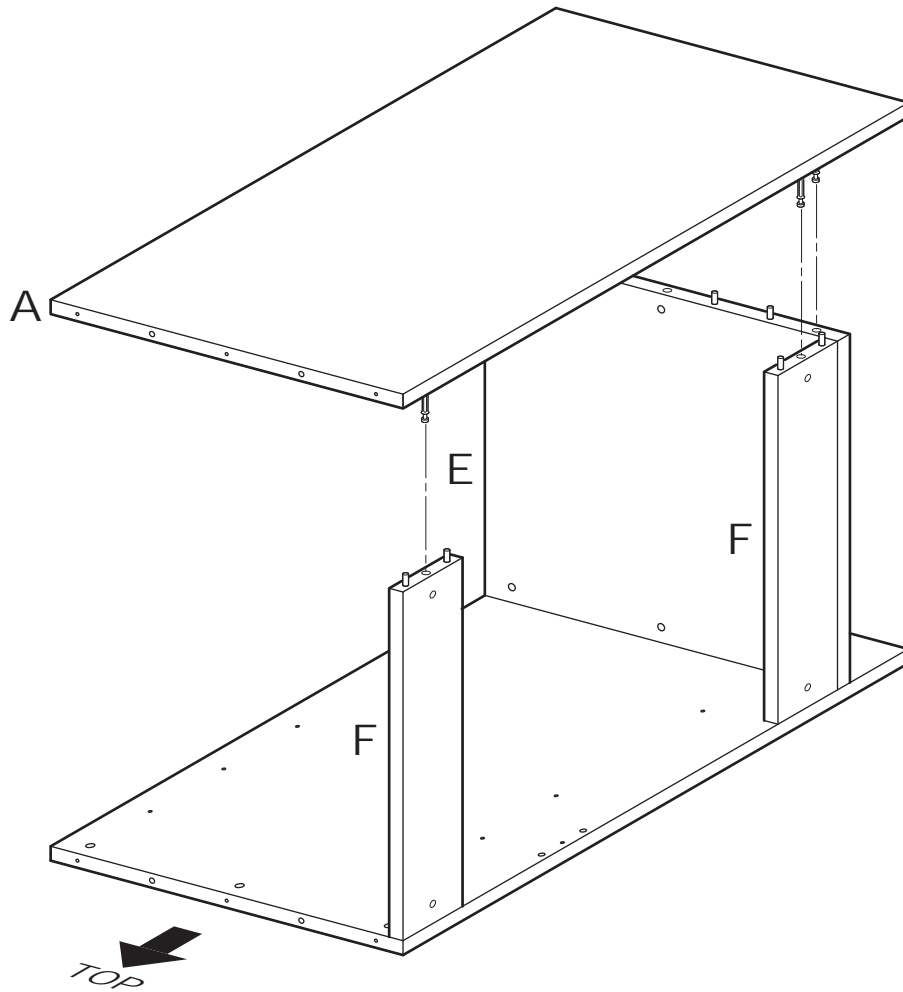
Install lower Rear Hanging Cleat (F) and Toe Kick (G) with holes for Cam Locks facing the rear of the unit and unfinished edges against Set Shelf (E).

Install upper Rear Hanging Cleat (F) with holes for Cam Locks facing the rear of the unit and the unfinished edge facing the top of the unit.

ASSEMBLY AND
INSTALLATION INSTRUCTIONS
VANITY, 1936R



5

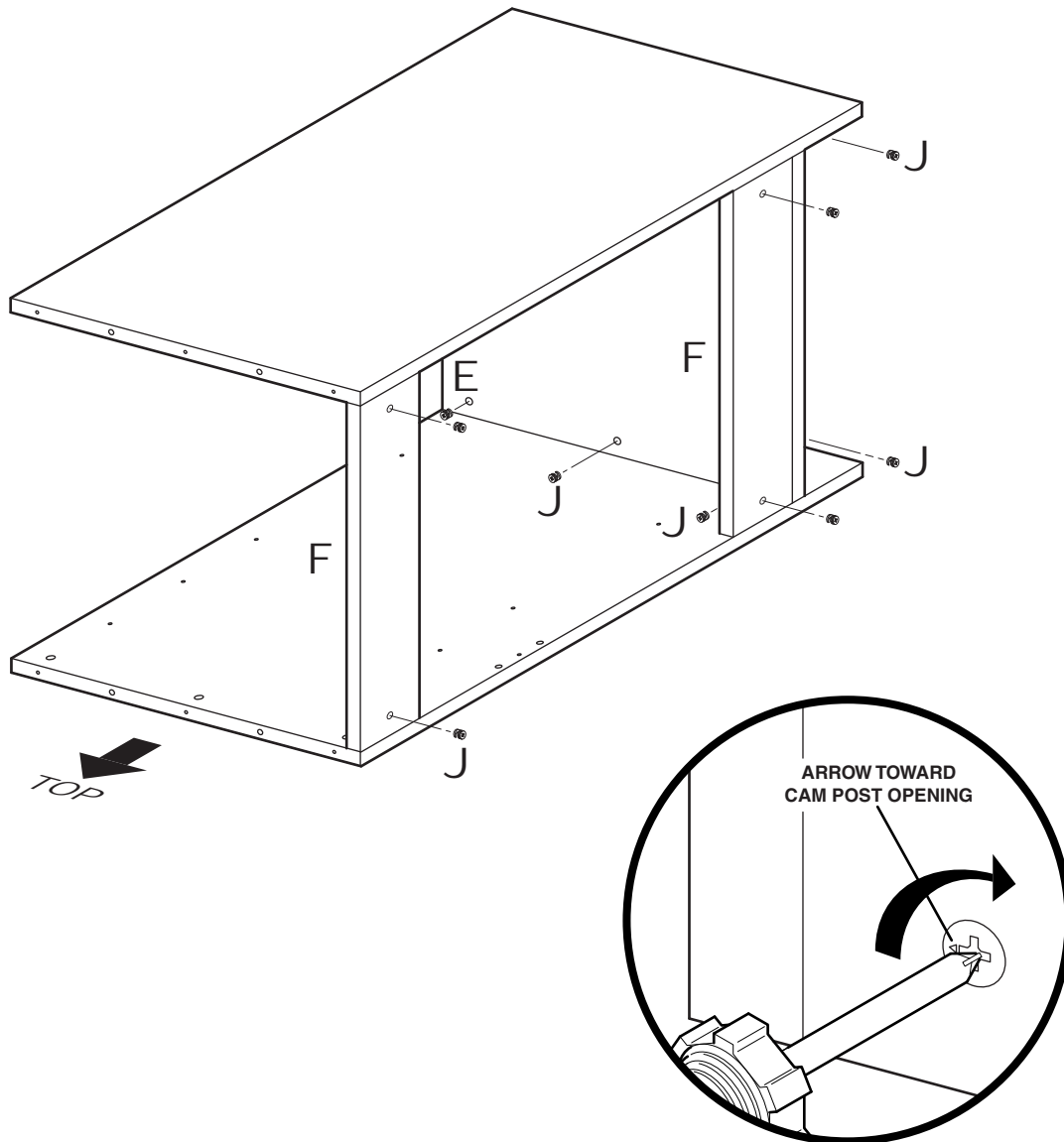


- 5.1 Install Base Left Side Panel (A) onto assembled Set Shelf (E), Rear Hanging Cleats (F) and Toe Kick (G). BE SURE dowel pins in Shelf, Cleats and Toe Kick engage drilled holes in Side Panel, and Side Panel is pressed flush against Set Shelf, Cleats and Toe Kick.

ASSEMBLY AND INSTALLATION INSTRUCTIONS VANITY, 1936L



6

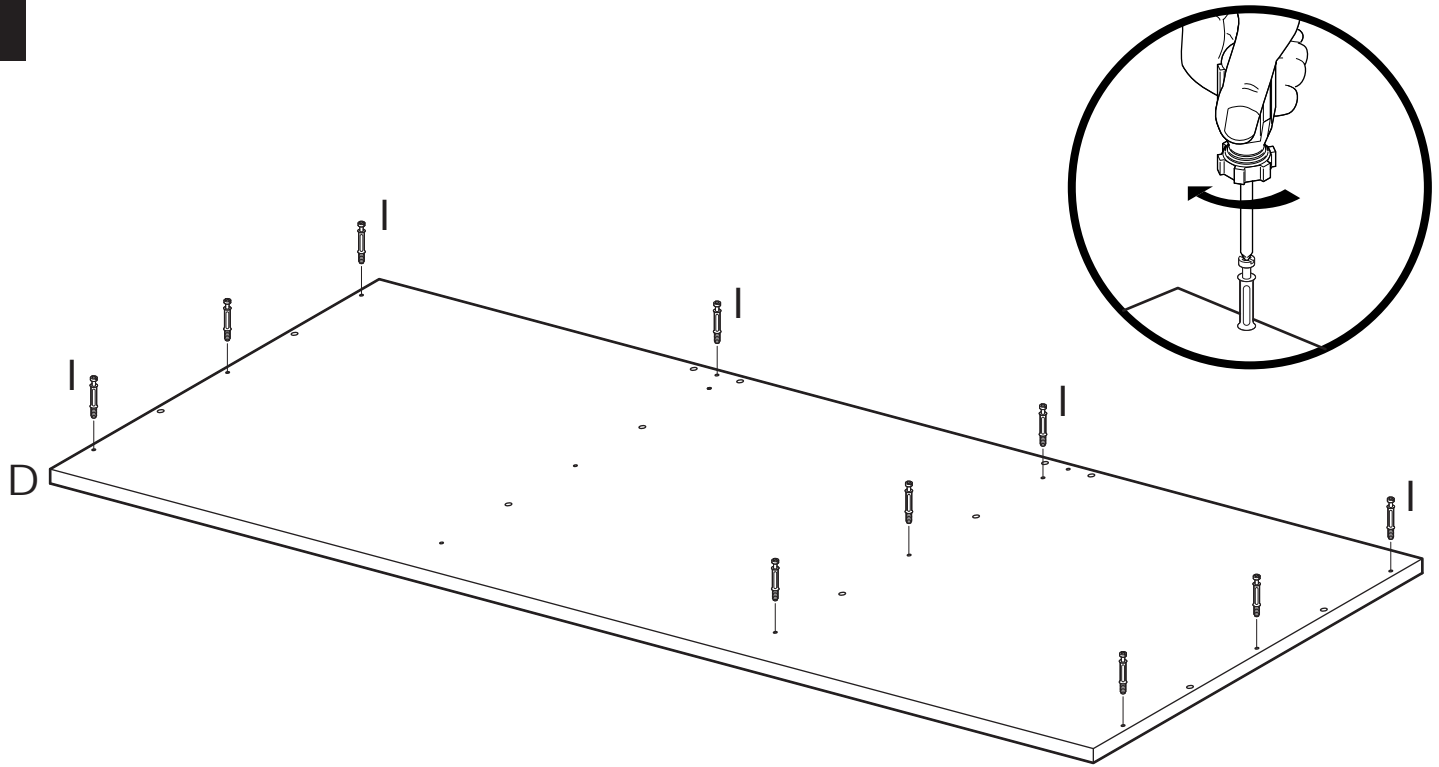


- 6.1 Insert Camlocks (J) in holes in Set Shelf (E), Rear Hanging Cleats (F) and Toe Kick (G) with arrow pointing toward Cam Post opening. Be sure Camlocks engage Cam Posts, and are fully seated in Shelf, Cleats and Toe Kick.
- 6.2 Tighten Camlocks (H) clockwise to lock.

ASSEMBLY AND INSTALLATION INSTRUCTIONS VANITY, 1936R

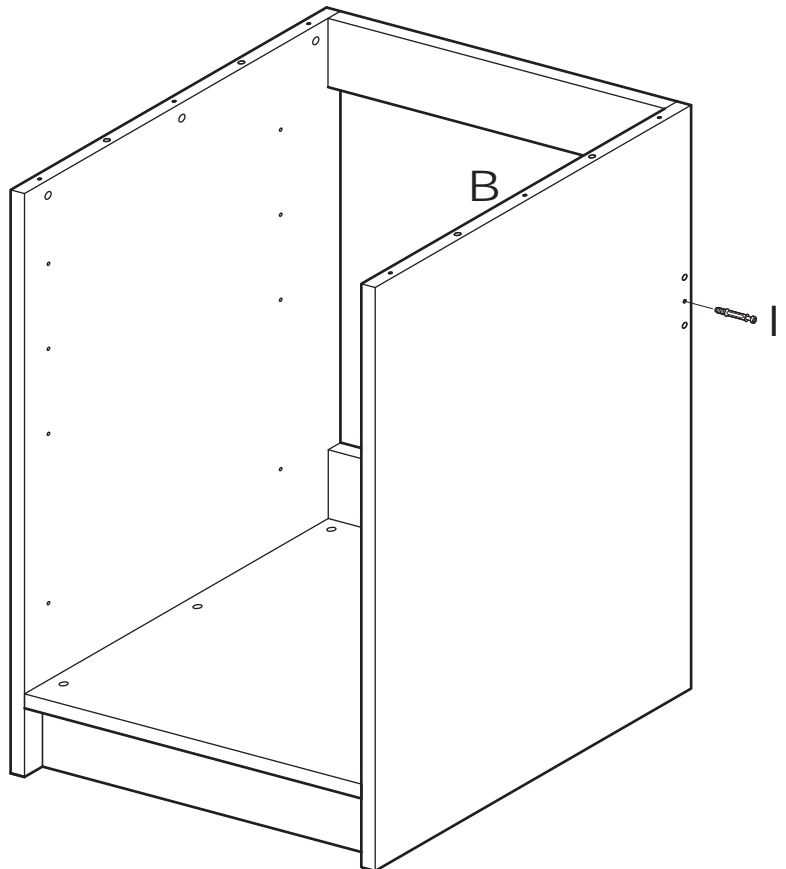
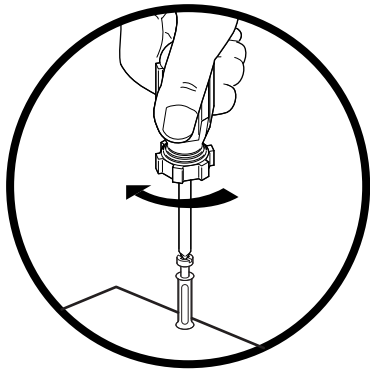


7



7.1 Install one Cam Post (I) into each of the 10 holes on Top (D). Tighten until Cam Posts are seated against Top.

8

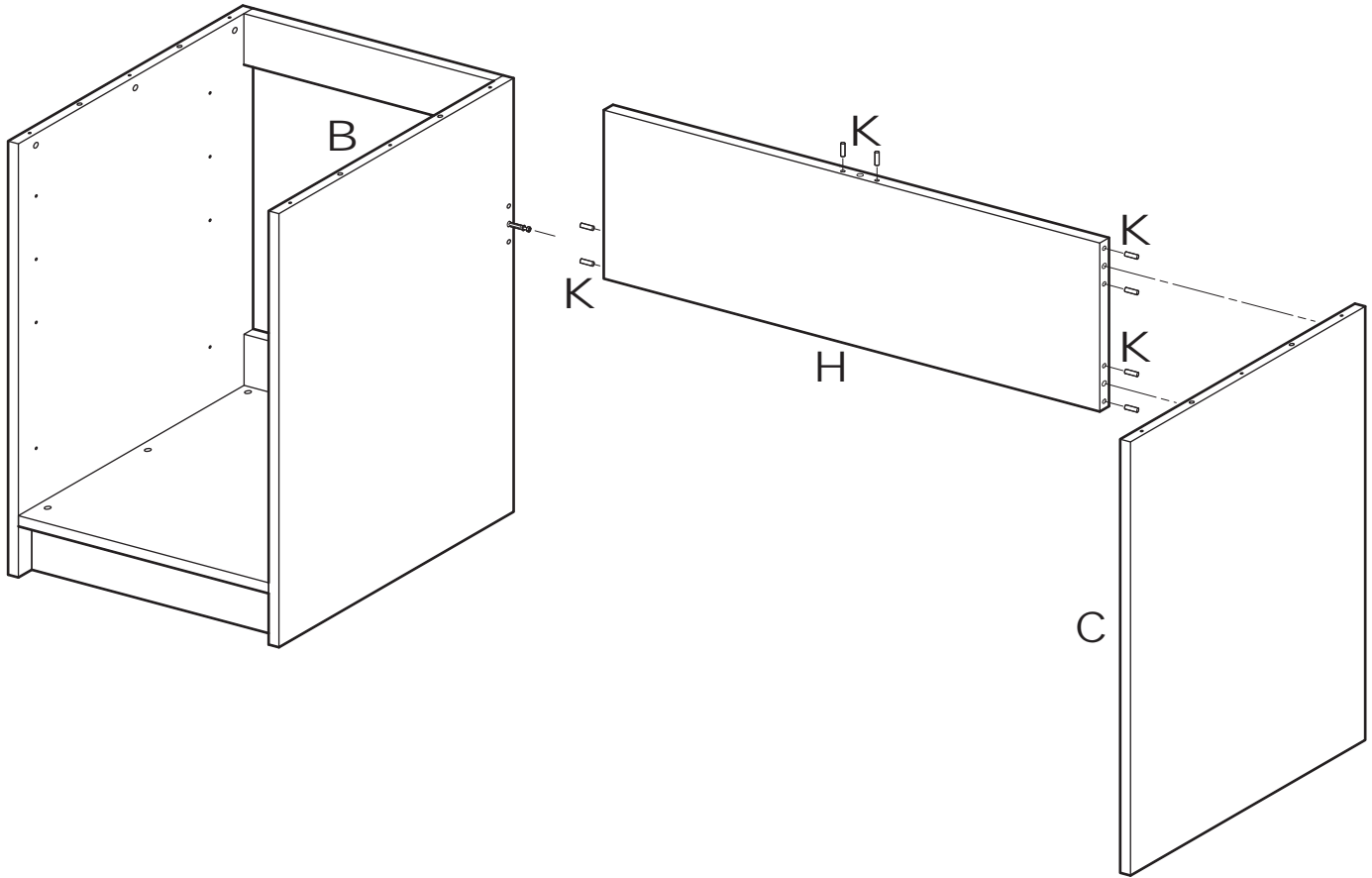


8.1 Install one Cam Post (I) into the hole on Right Side Panel (B). Tighten until Cam Post is seated against Side Panel.

ASSEMBLY AND INSTALLATION INSTRUCTIONS VANITY, 1936R



9

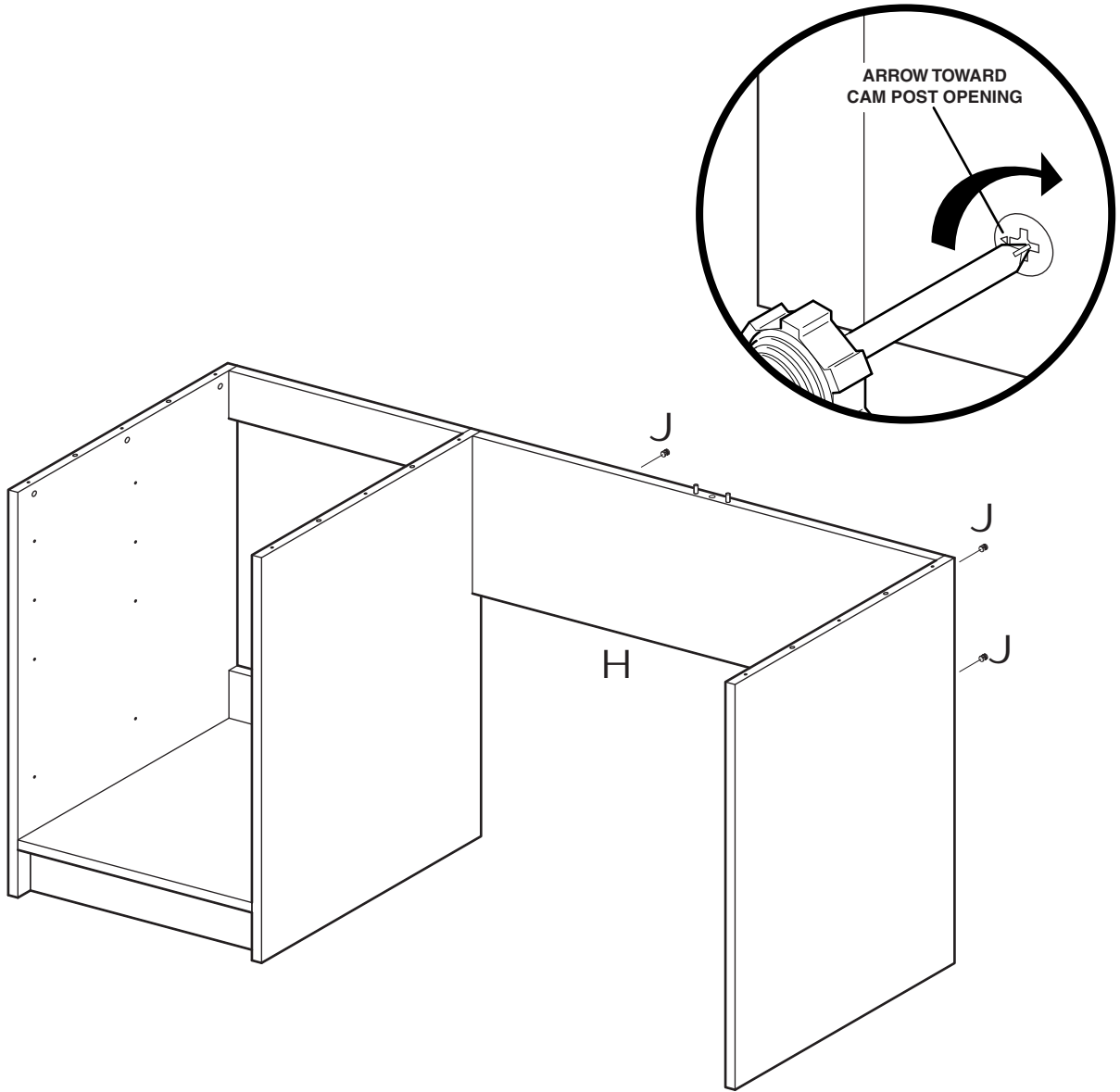


9.1 Assemble Right Leg (C), Stretcher (H) and Cabinet. BE SURE dowel pins in Stretcher engage drilled holes in Right Leg (C) and Cabinet Side Panel (B) and components are pressed flush.

ASSEMBLY AND
INSTALLATION INSTRUCTIONS
VANITY, 1936R



10



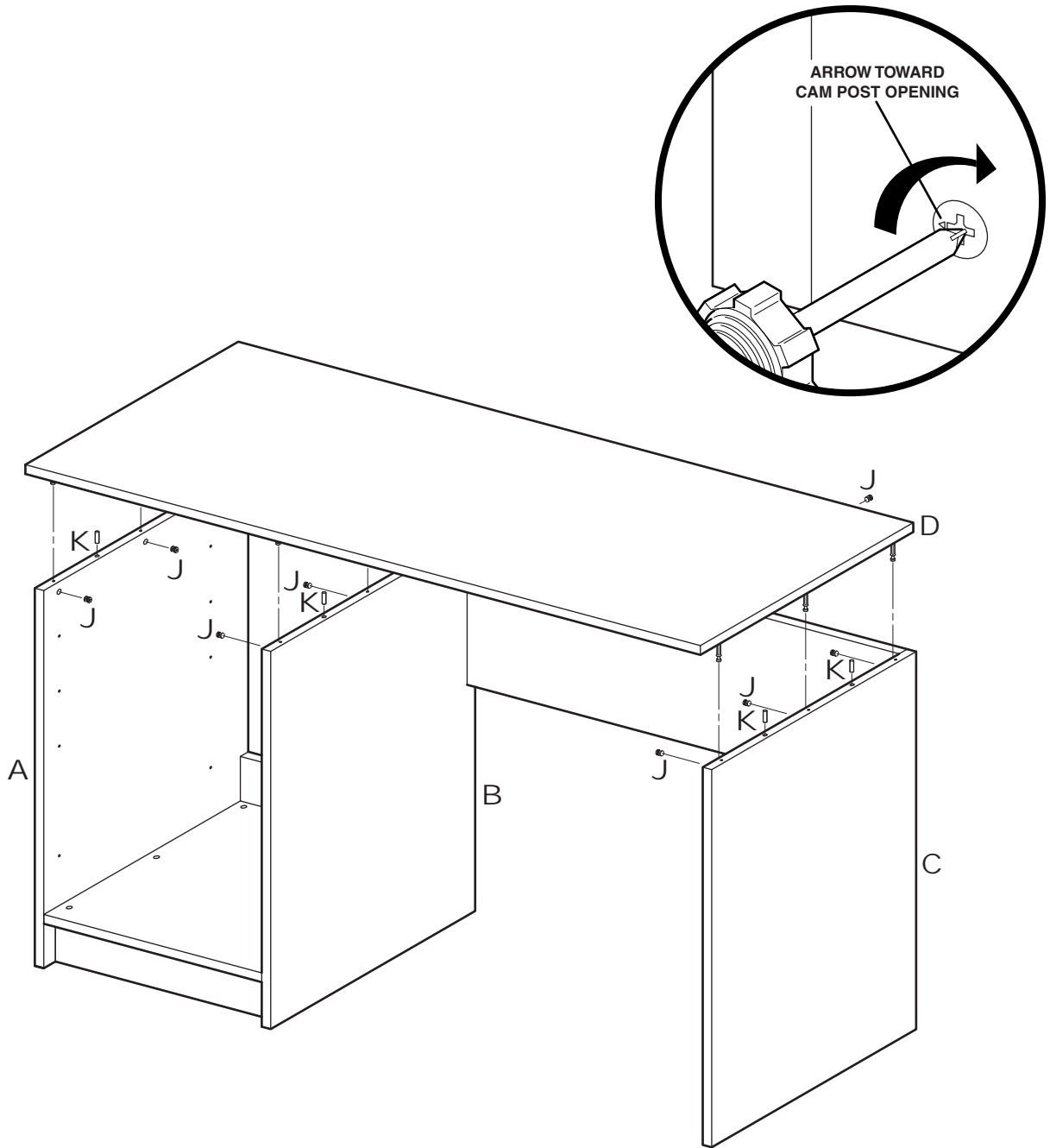
- 10.1 Insert Camlocks (J) in holes in Stretcher (H) with arrow pointing toward Cam Post opening. Be sure Camlocks engage Cam Posts, and are fully seated in Stretcher.
- 10.2 Tighten Camlocks (J) clockwise to lock.

ASSEMBLY AND INSTALLATION INSTRUCTIONS

VANITY, 1936R



11

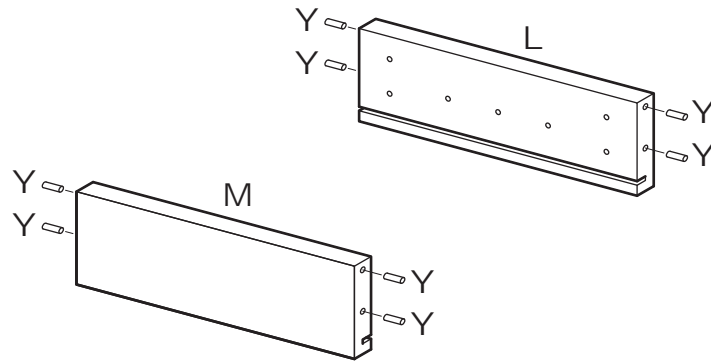


- 11.1 Insert eight Wood Dowels (K) into holes in edges of Left Side Panel (A), Right Side Panel (B) and Leg (C).
- 11.2 Install Top (D) onto assembled components. BE SURE dowel pins in Left Side Panel (A), Right Side Panel (B) and Left Leg (C) engage drilled holes in Top and Top is pressed flush against Side Panels and Leg.
- 11.3 Insert Camlocks (J) in holes in Left Side Panel (A), Right Side Panel (B), Left Leg (C) and Stretcher (H). BE SURE Camlocks engage Cam Posts, and are fully seated in Side Panels, Leg and Stretcher. Tighten Camlocks (H) clockwise to lock.

ASSEMBLY AND INSTALLATION INSTRUCTIONS VANITY, 1936R

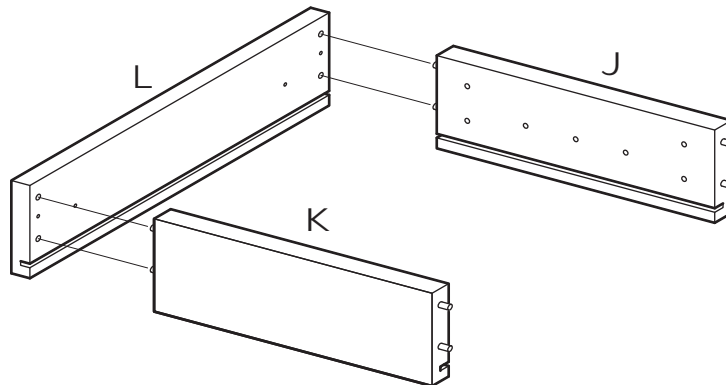


12



12.1 Insert Wood Dowels (Y) into holes in ends of Front Drawer Panel (L) and Rear Drawer Panel (M).

13

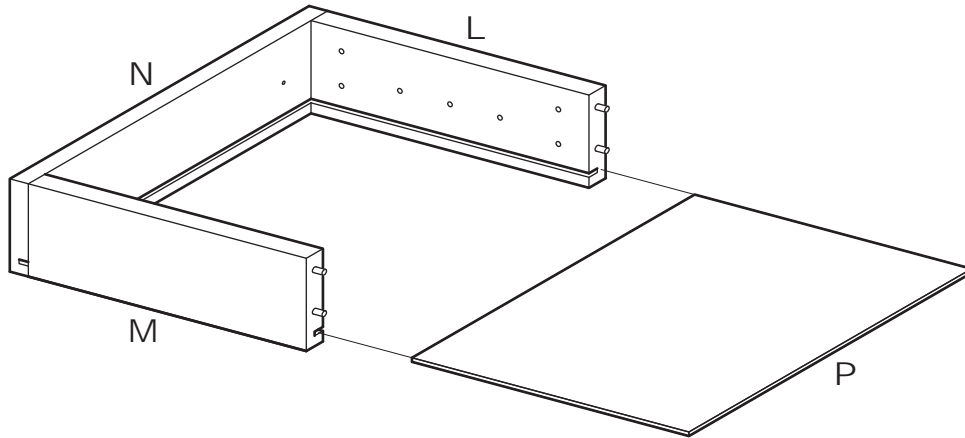


13.1 Align Wood Dowels in Front Drawer Panel (L) and Rear Drawer Panel (M) with holes in one Side Drawer Panel (N), and press components together until flush.

ASSEMBLY AND INSTALLATION INSTRUCTIONS VANITY, 1936R



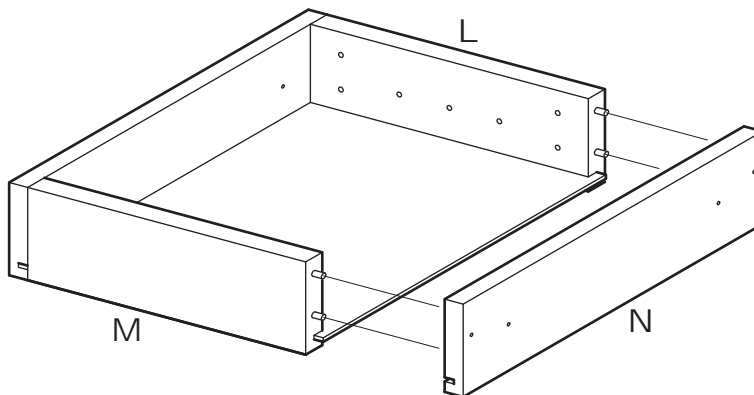
14



NOTE: Be sure to install Drawer Bottom (P) with finished side facing up.

- 14.1 Align Drawer Bottom (P) with slots in Front Drawer Panel (L) and Rear Drawer Panel (M), then slide Drawer Bottom into assembled Drawer Panels until Drawer Bottom is seated against Side Drawer Panel (N).

15



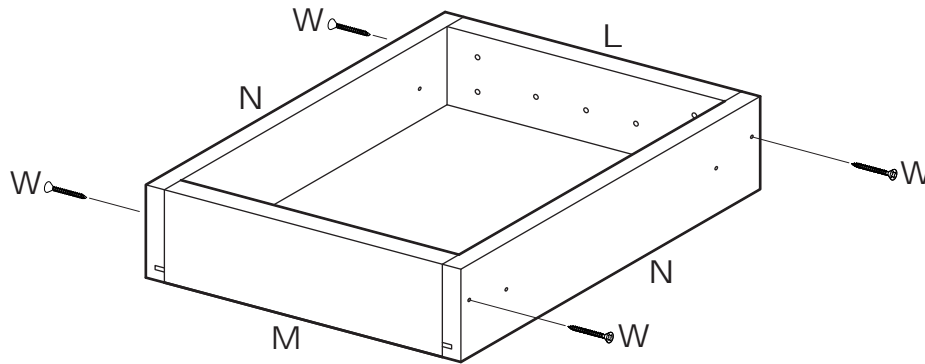
- 15.1 Align Side Drawer Panel (N) with Wood Dowels in Front Drawer Panel (L) and Rear Drawer Panel (M) and press Side Drawer Panel (N) onto assembled components until flush.

ASSEMBLY AND INSTALLATION INSTRUCTIONS

VANITY, 1936R

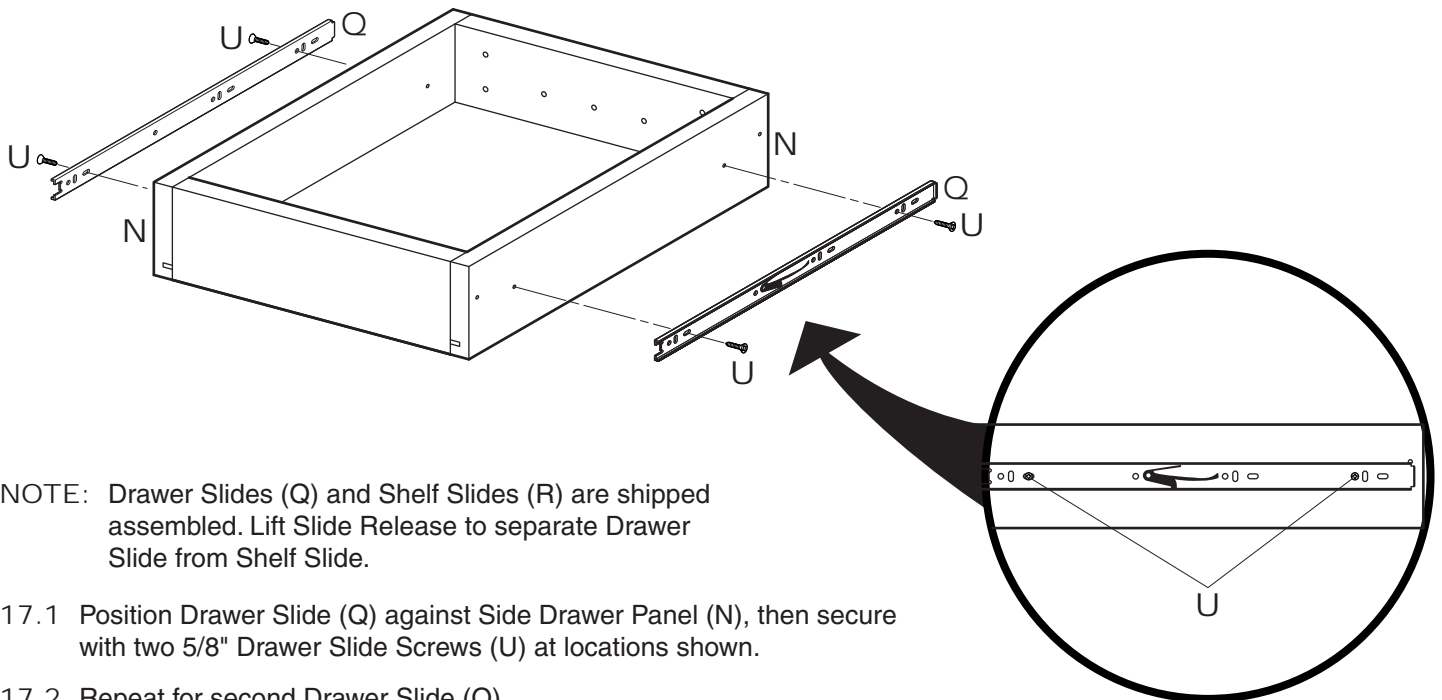


16



16.1 Secure Side Drawer Panels (N) to Front Drawer Panel (L) and Rear Drawer Panel (M) using 1.5" Screws (W).

17



NOTE: Drawer Slides (Q) and Shelf Slides (R) are shipped assembled. Lift Slide Release to separate Drawer Slide from Shelf Slide.

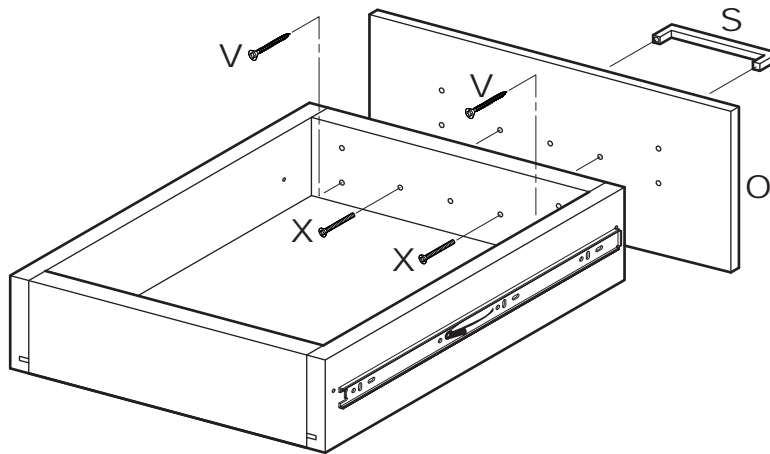
17.1 Position Drawer Slide (Q) against Side Drawer Panel (N), then secure with two 5/8" Drawer Slide Screws (U) at locations shown.

17.2 Repeat for second Drawer Slide (Q).

ASSEMBLY AND
INSTALLATION INSTRUCTIONS
VANITY, 1936R



18



NOTE: DO NOT overtighten Screws (V) or surface of Drawer Front (O) may become dimpled.

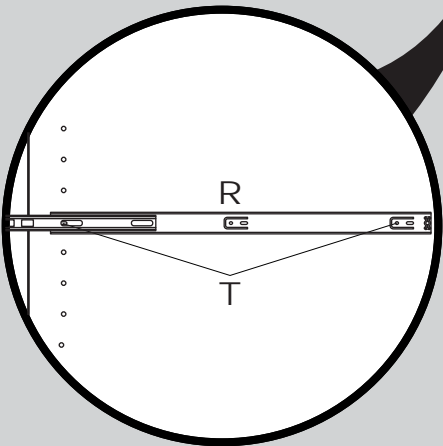
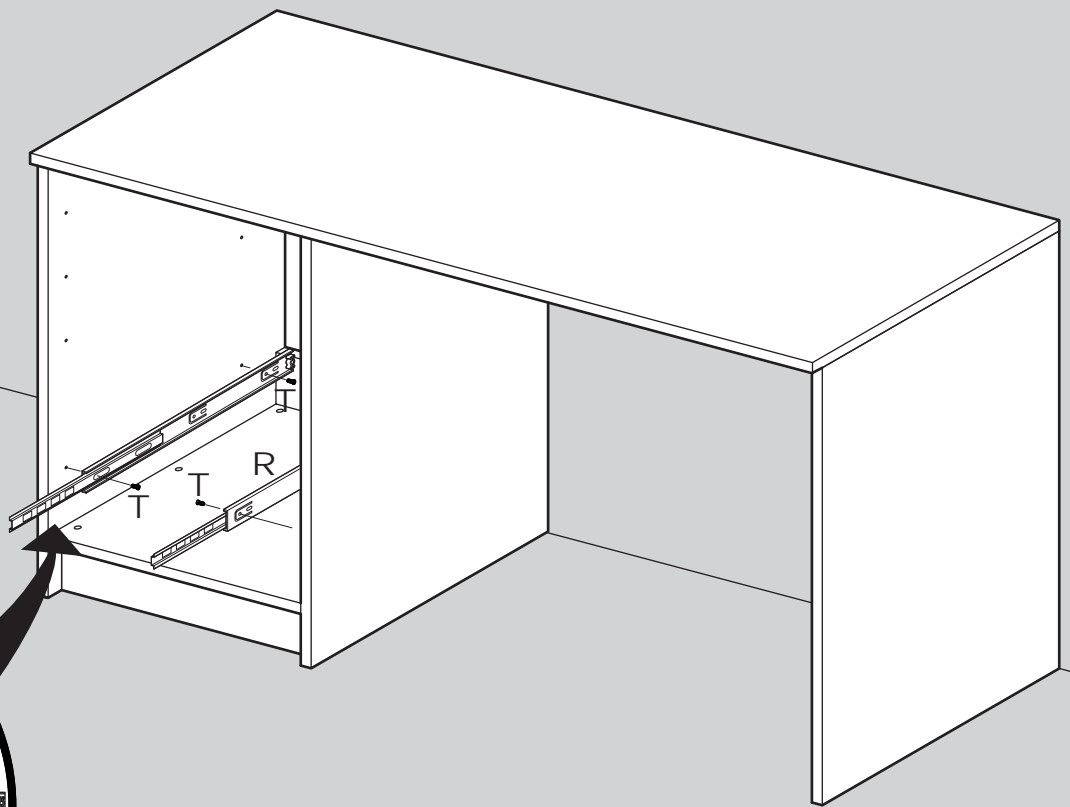
18.1 Position Drawer Front (O) on assembled Drawer and secure to Front Drawer Panel (L) with 1.0" Screws (V).

18.2 Install Drawer Handle (S) on Drawer and secure with two 1.5" Screws (X).

ASSEMBLY AND INSTALLATION INSTRUCTIONS VANITY, 1936R



19



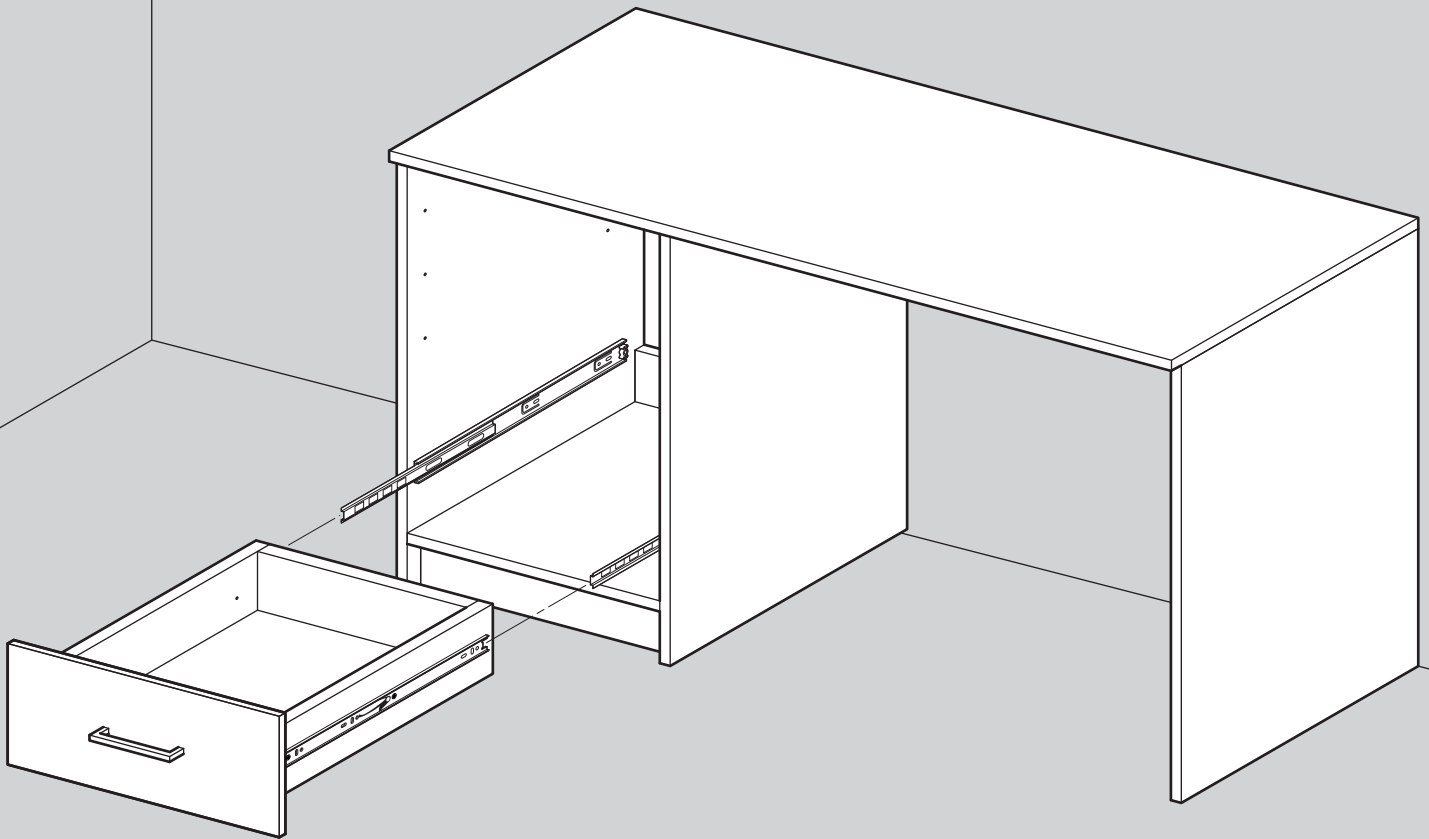
- 19.1 Position Shelf Slide (R) over pre-drilled holes in Side Panels (A, B), then secure with two 5/8" Euro Screws (T) at locations shown.
- 19.2 Repeat for second Shelf Slide (R).

Tip: For best results, use a small level to ensure Shelf Slides (R) are properly positioned before tightening.

ASSEMBLY AND
INSTALLATION INSTRUCTIONS
VANITY, 1936R



20



20.1 Slide Drawer onto Shelf Slides until slides latch.

20.2 Repeat steps 12 through 20 for the remaining two drawers.