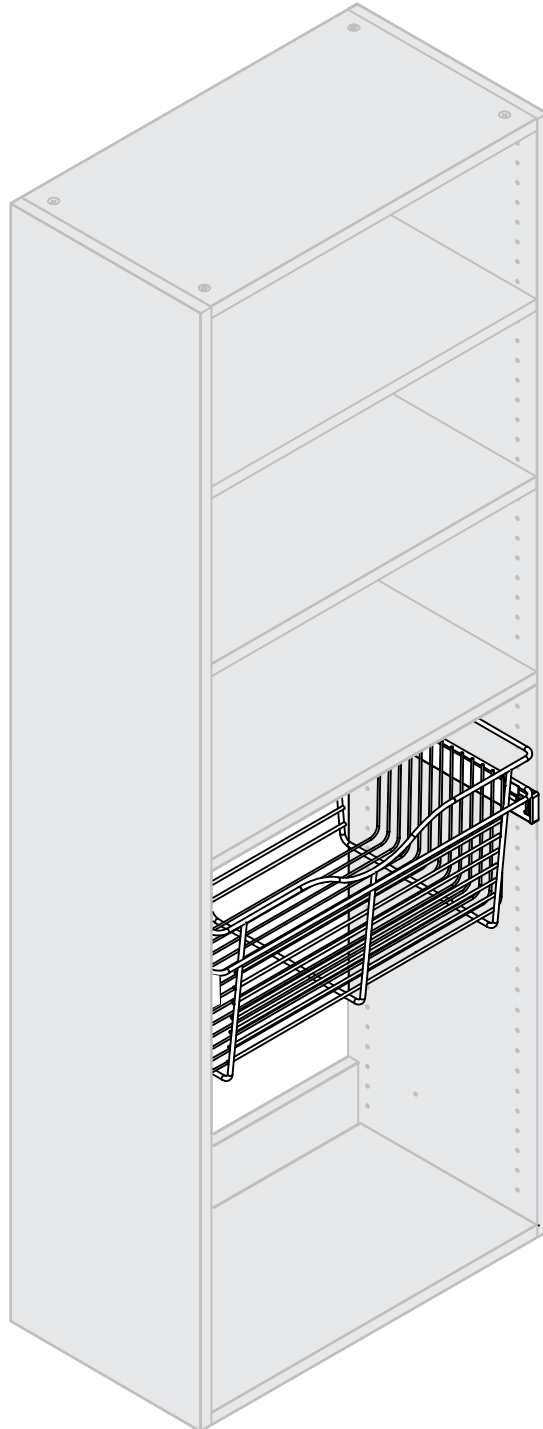
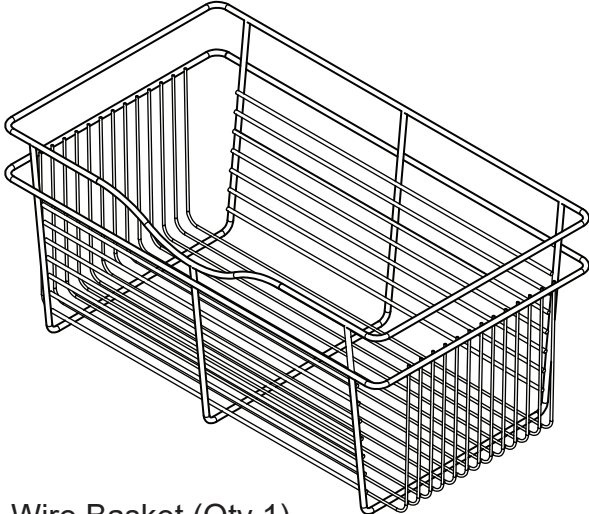

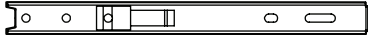




# Wire Baskets



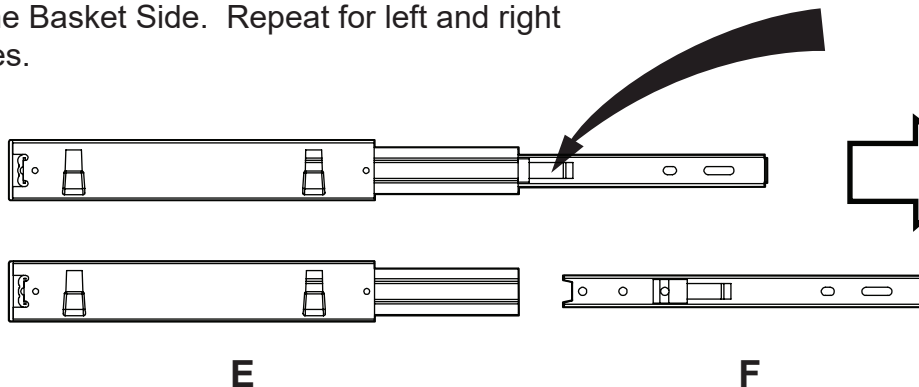
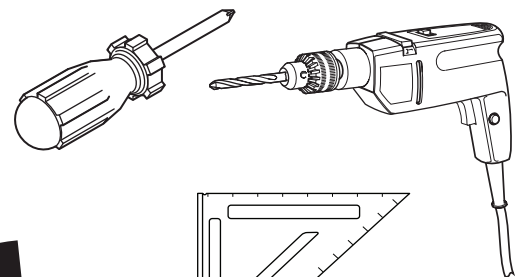
PARTS LIST	HARDWARE
 <p><b>A</b> Wire Basket (Qty 1)</p>	 <p><b>E</b></p>  <p><b>F</b></p>  <p><b>G</b></p>  <p><b>H</b></p> <p><b>E</b> Basket Slide (Qty 1)  <b>F</b> Panel Slide (Qty 1)  <b>G</b> Euro Screw (Qty 2)  <b>H</b> 5/8in Wood Screw (2)</p>

**1**

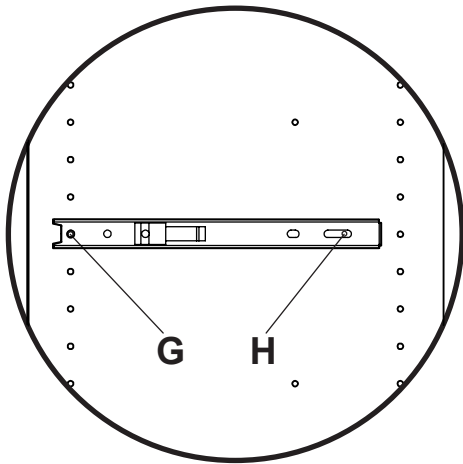
**TOOLS REQUIRED** (not included)

#2 Phillips Driver, Drill, 3/32" bit, rafting or combination square

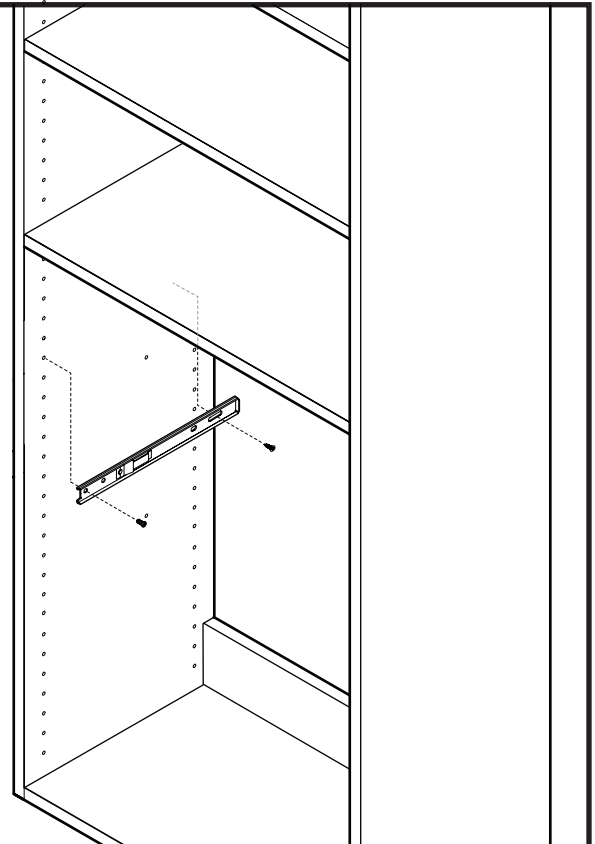
**1.1** Each pair of Basket Slides are shipped assembled. To separate, press the plastic catch on the Panel Side and pull the slide out of the Basket Side. Repeat for left and right slides.



**2**



**2.1** Mount the Panel Slides with (1) Euro Screws (G) utilizing the shelf pin holes. Make sure the slide is level, drill a pilot hole and install (1) Wood Screw (H) near the back of the slide. Repeat this process on both sides.



**3**

**3.1** Align the Basket slides (E) with the panel slides (F) and push together until the slides latch, make sure they are fully seated by pulling them in and out, they should be rolling smoothly.

**3.2** Set Basket (A) between slides until seated in tabs. The wire basket is now ready to use.v

