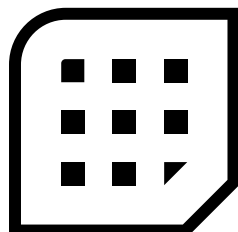
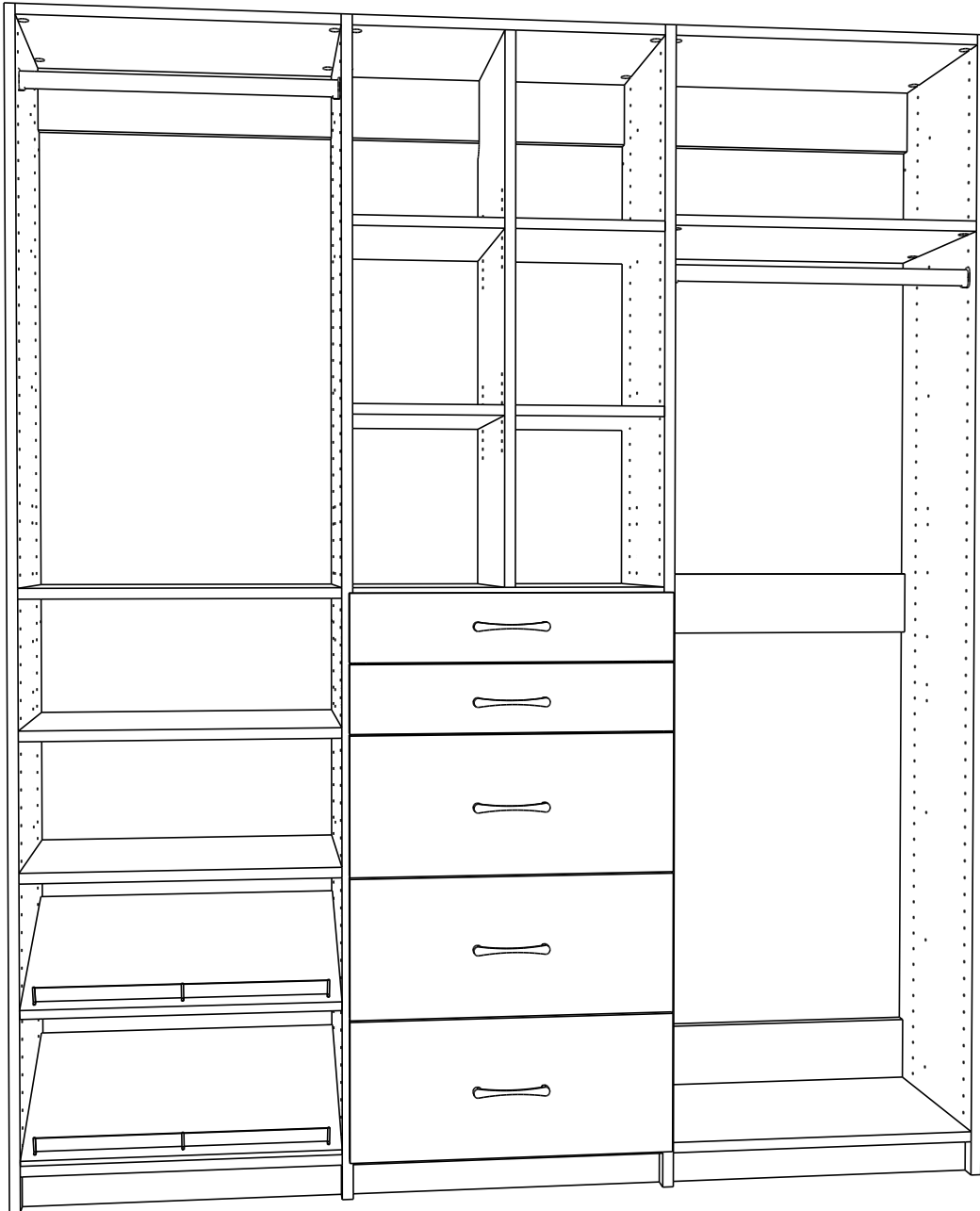


# ALTO

## ASSEMBLY INSTRUCTIONS



**modular  
closets.**



Congratulations on your purchase!

For any questions reach out to [support@modularclosets.com](mailto:support@modularclosets.com) or call 844-969-4247

**Thank you for choosing Modular Closets and our Alto closet system!**

We are committed to providing you with a seamless and efficient storage solution that enhances the organization and functionality of your space. Before you embark on assembling your new Alto closet system, we want to emphasize a crucial step to ensure a smooth and successful installation.

**Important: Understanding Your Components**

Before you begin the assembly process, it is essential to familiarize yourself with the components provided in your package. Our Alto closet system includes various boxes containing different parts designated for specific towers. Properly identifying and organizing these components will prevent confusion and streamline the installation.

**What You Need to Do**

- 1. Inventory Check:** Begin by unpacking all the boxes and verifying the contents against the parts list provided. Ensure that you have all the necessary components and hardware.
- 2. Label and Sort:** Carefully read the labels on each box and sort the components according to the designated towers. This step is critical as it will help you avoid mixing parts that belong to different sections of the closet system.
- 3. Check Sizes:** Verify the sizes of the components against the measurements specified in your design PDF. Ensuring that each part matches the intended dimensions is crucial for a proper fit and installation.
- 4. Reference Your Design PDF:** Use the design PDF provided with your order to map out the correct placement of each component. This document will guide you in matching the parts to their specific locations within the closet system.
- 5. Read the Instructions:** Thoroughly read through the entire instruction manual before starting the assembly. Understanding the overall process and the sequence of steps will save you time and effort.
- 6. Additional Instructions:** For instructions on shelf pull-outs, wire baskets, sliding mirrors, tie racks, belt racks, scarf racks, ironing boards, pants racks, and valet rods please scan the QR code on this page or visit:  
<https://www.modularclosets.com/pages/assembly-and-install>



By taking the time to carefully organize, understand your components, and reference your design PDF, you set the stage for a successful and stress-free installation. We are confident that with a little preparation, you will find the assembly process straightforward and rewarding. Thank you for your attention to these important details.

**Now we can start building your new closet! It might feel a little overwhelming at first, but once you get the hang of it, it's really easy.**

# Table of Contents

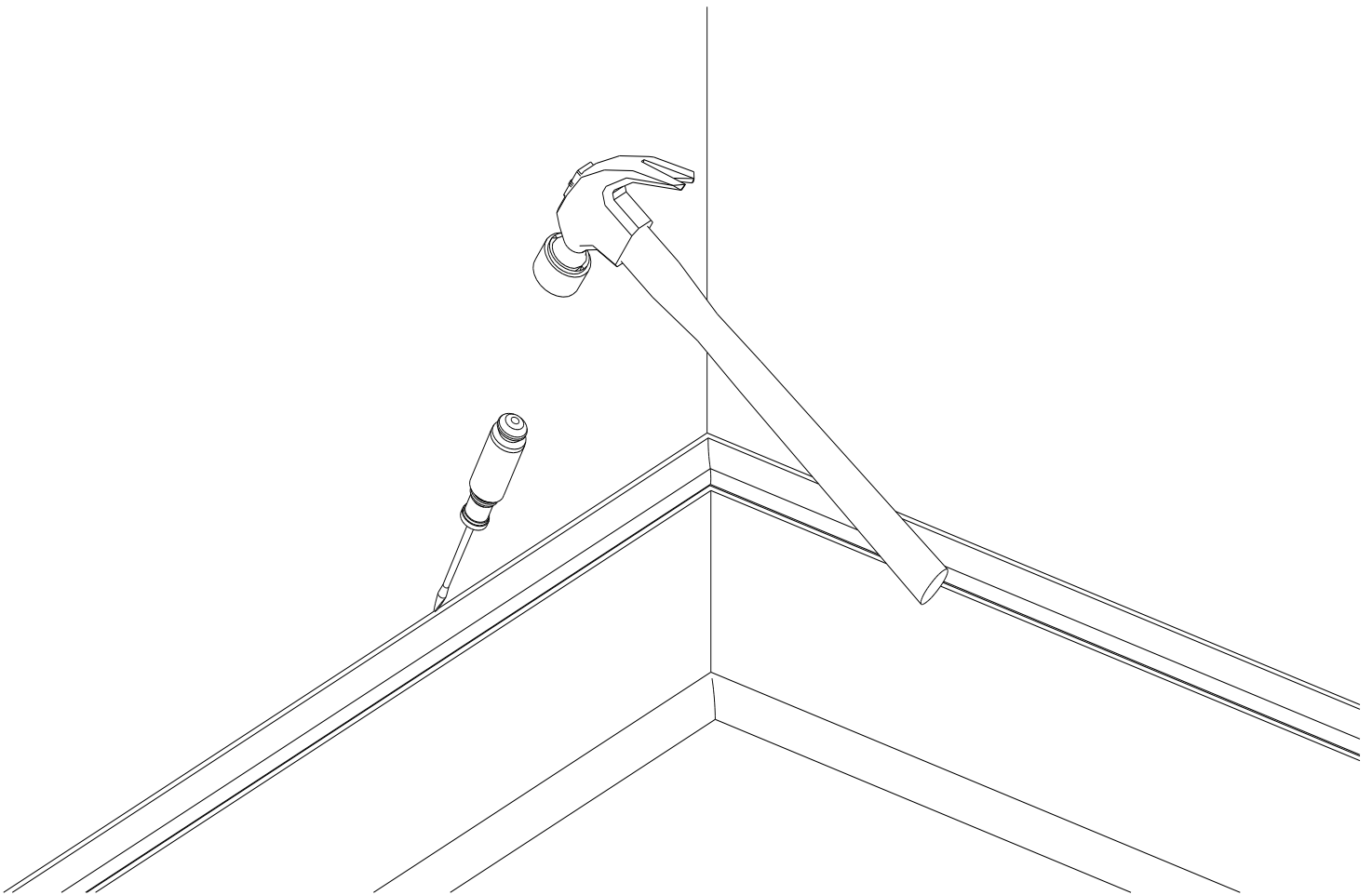
\*Alto Corner Units are recommended to be built first in closet systems. Consult design and start at page 55, if system features corner unit.

For Alto Lighting Systems please refer to the separate lighting instructions included first, then return.

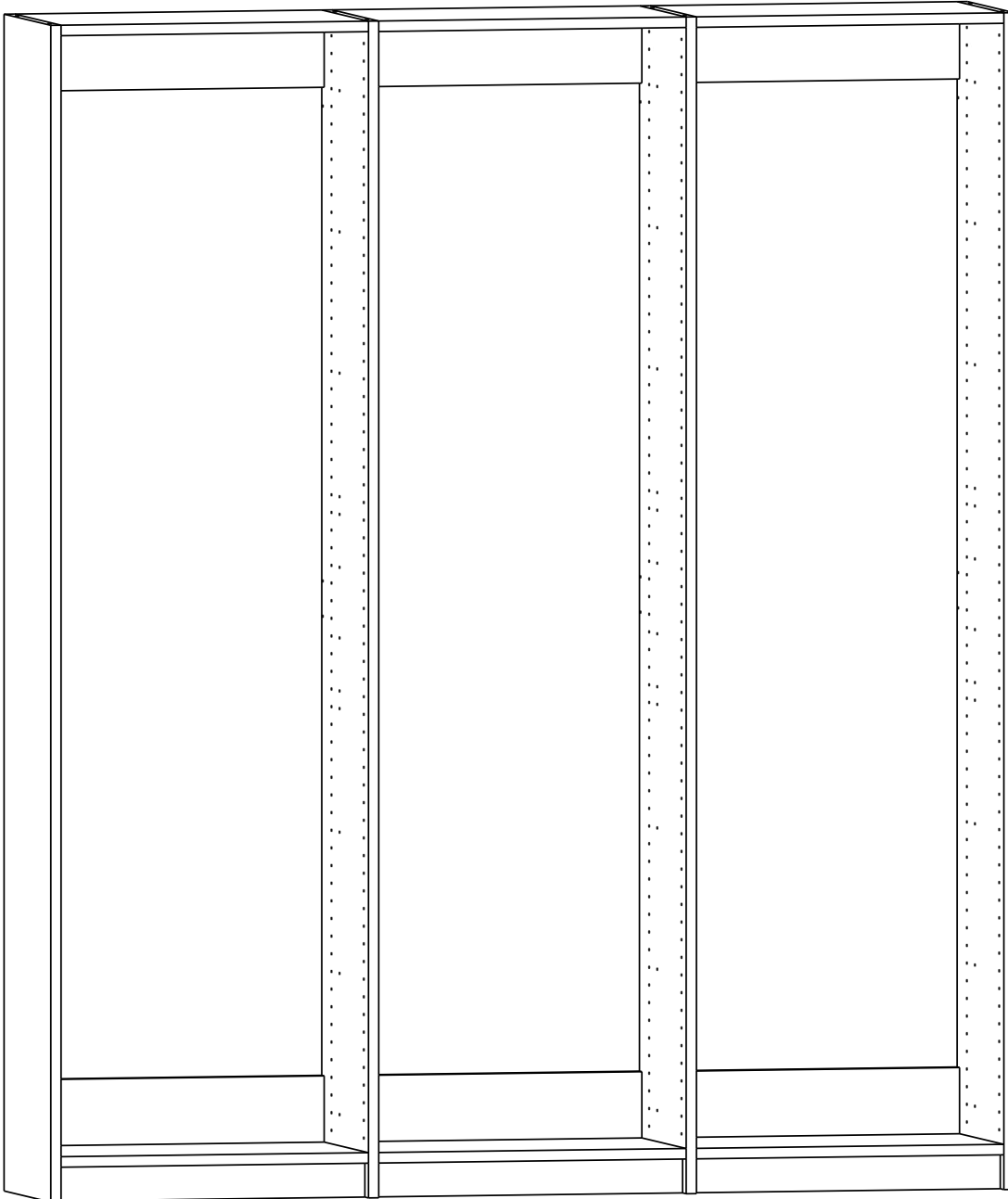
|  |     |
|--|-----|
| Standard Alto Tower .....              | 5   |
| Alto Short Tower .....                 | 26  |
| Alto Extension Unit .....              | 45  |
| Alto Corner Unit* .....                | 55  |
| Alto Corner Extension Unit .....       | 76  |
|  |     |
| Interior Component Assembly Index..... | 85  |
| Double Hang Assembly .....             | 86  |
| Tall Hang Assembly .....               | 90  |
| Cubbies Assembly .....                 | 93  |
| Drawer Assembly.....                   | 99  |
| Slanted Shoe Shelf Assembly .....      | 118 |
| Door Assembly .....                    | 123 |



**For all Alto Closet systems, remove the floor moldings from your space so that the closets can sit flush against the wall. This can be done with a hammer and a flathead screwdriver, as shown. We also recommend using a knife to score the paint along the molding so that it comes off smoothly.**



Standard Alto Tower



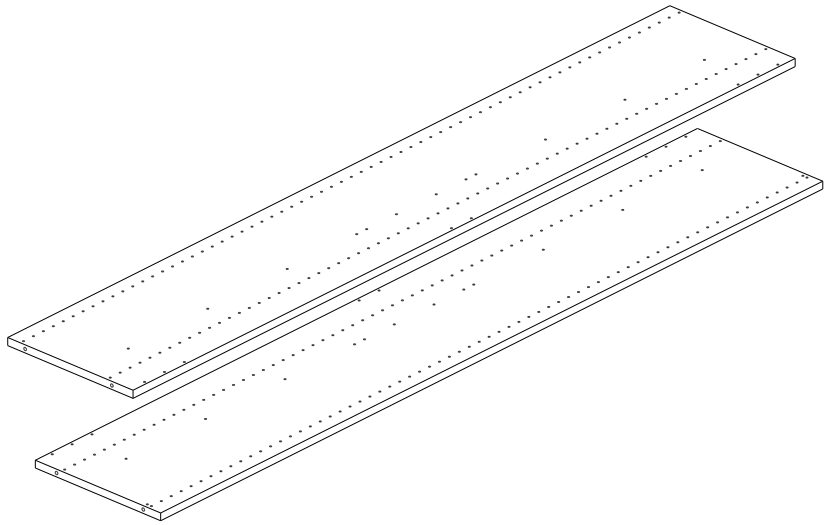
**Disclaimer: If constructing a corner unit or lighting unit please refer to those instructions before continuing. All instructions are available for download on the website**



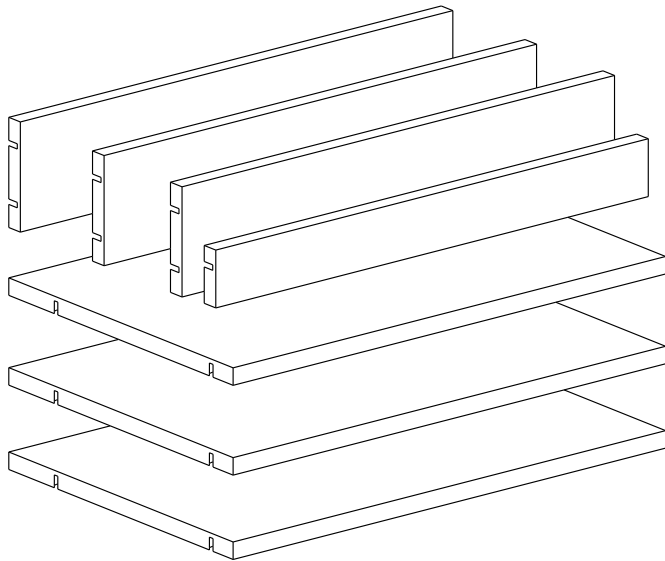
### Boxes Needed

ALT-SP  
Alto Side Panel Pack

*There are no Right and Left as each panel is built to be able to go on either side.*



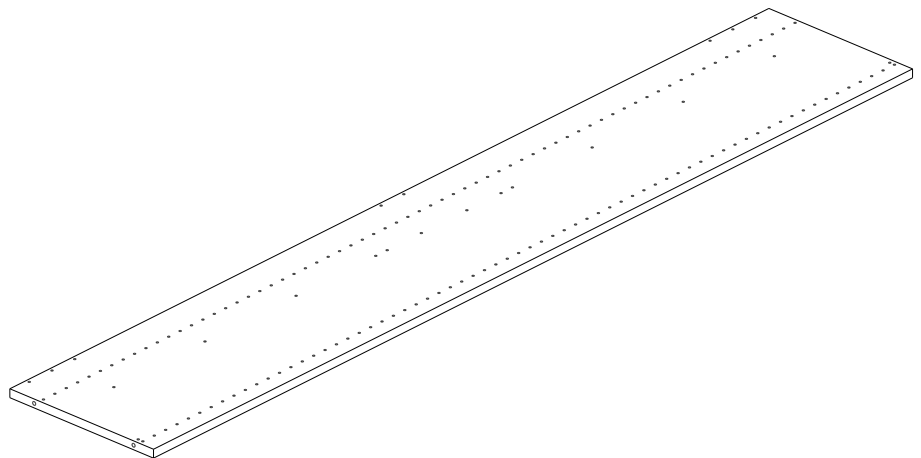
ALT-FS  
Alto Fixed Shelf Pack



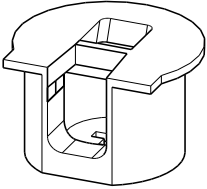
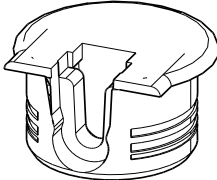
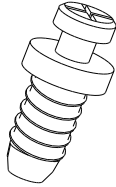
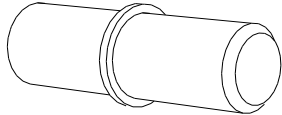
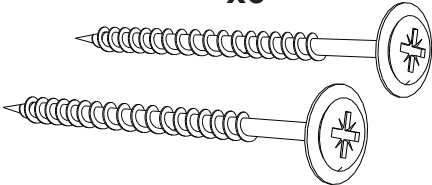
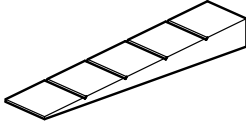
For combined units

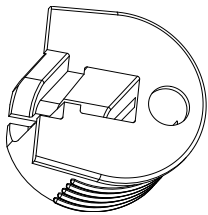


ALT-CP  
Alto Center Panel  
(1 or 2 Pack)



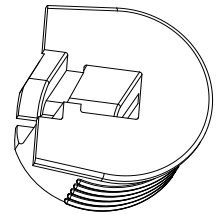
Hardware Packs Needed  
ALT-HRDP-FS

|  |   |   |   |
|--|---|---|---|
| <p><b>Rafix</b><br/>x12</p>  | <p><b>Wedgefix</b><br/>x14</p>  | <p><b>Screw Dowel</b><br/>x26</p>   | <p><b>Shelf Pin</b><br/>x2</p>  |
|  <p>has metal locking mechanism</p> |  <p>solid white piece-no locking mechanism</p> |  |  |
| <p><b>Anchor Screws</b><br/>x6</p>   |   | <p><b>Leveling Wedge</b></p>  |   |
|                                     |   |   |   |



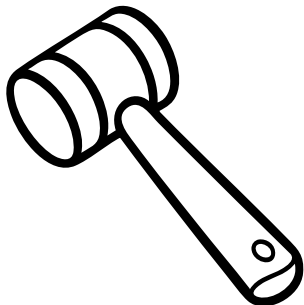
**Please Note: Rafix/Wedgefix**

Rafix hardware has an additional hole at the top of the hardware to allow a screwdriver to secure the clip once inserted to screw dowel. Wedgefix hardware does NOT have this additional hole.

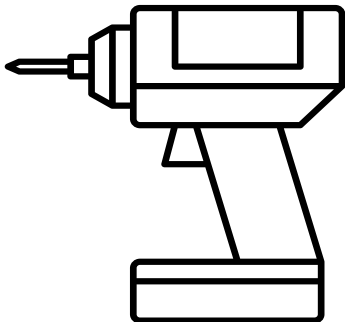


**Tools Needed**

Rubber Mallet



Drill



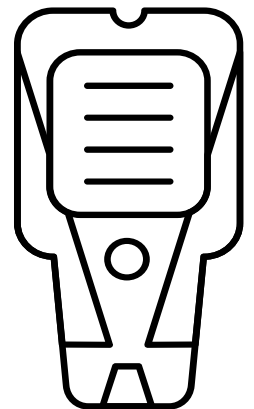
Level



Philips Screw Driver



Stud Finder



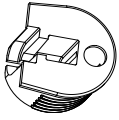
**2 person assembly suggested**



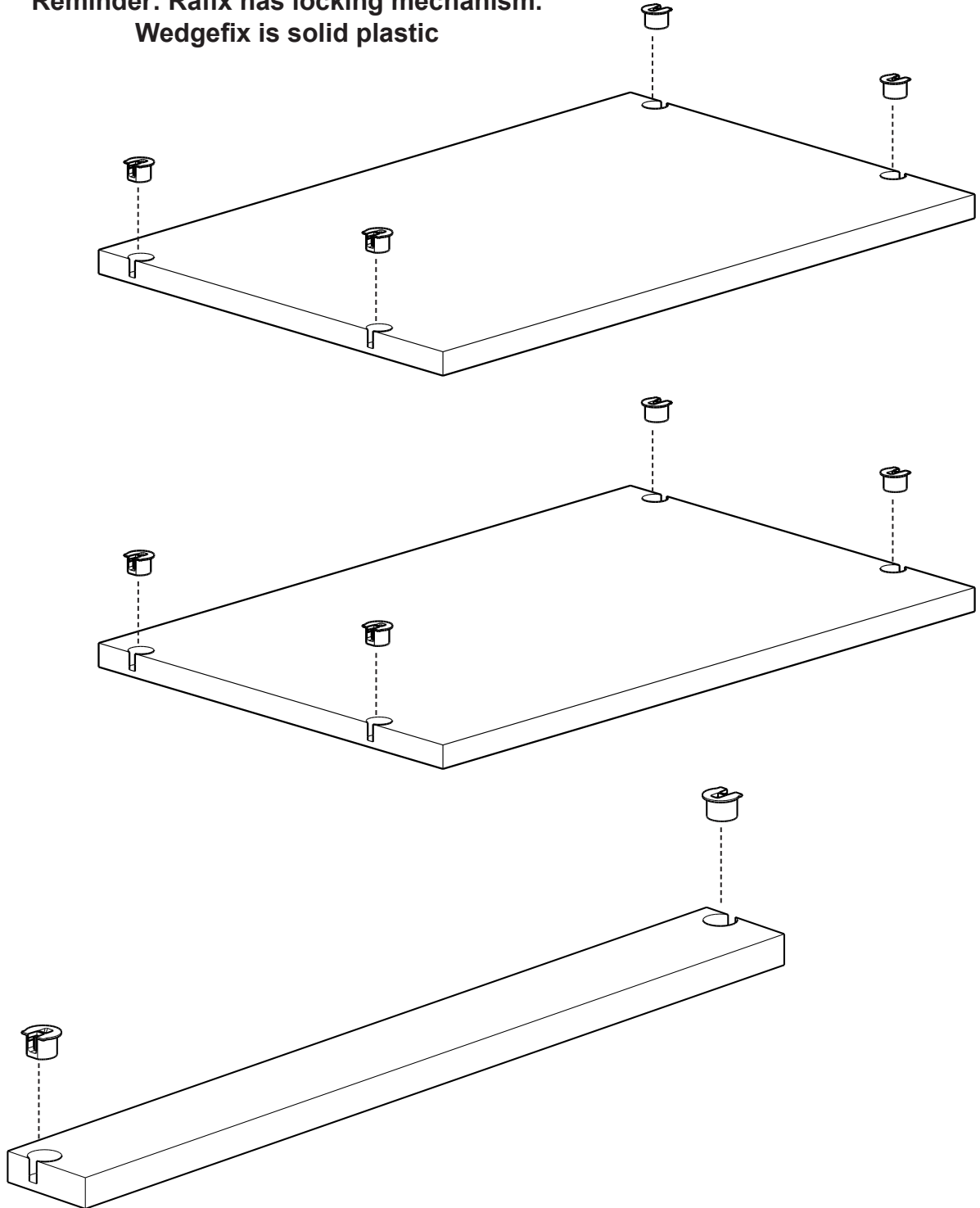
### Step 1

From Box ALT-FS take 2 shelves and the toe kick and insert the Rafix hardware as shown below.

Rafix  
x10

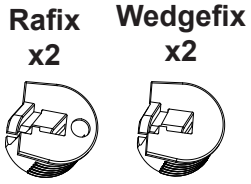


**Reminder: Rafix has locking mechanism.  
Wedgefix is solid plastic**

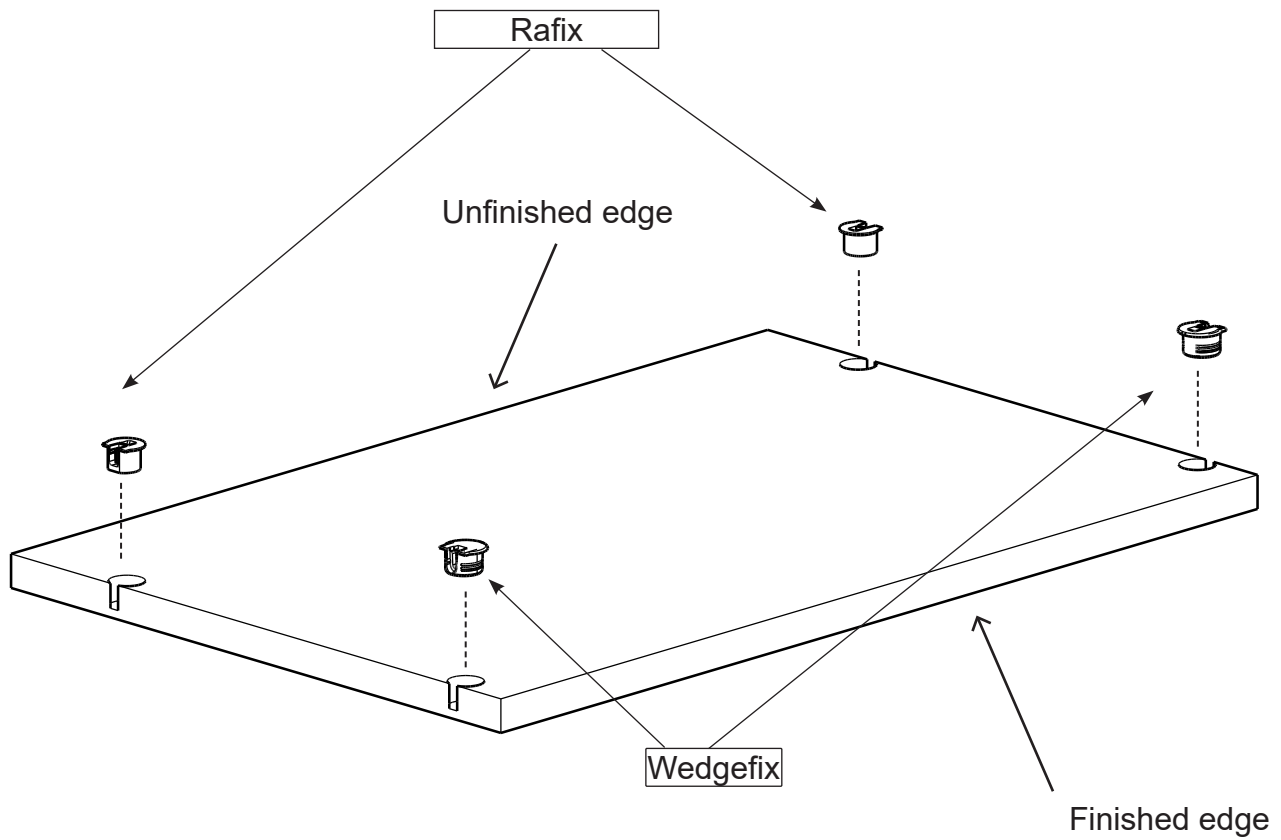


## Step 2

For the 3rd fixed shelf, insert 2 Rafx hardware in the slots closer to the unfinished edge, and 2 Wedgefix hardware in the slots closer to the finished edge.



**Reminder: Rafx has locking mechanism.  
Wedgefix is solid plastic**



This will be used as the bottom fixed shelf



### Step 3

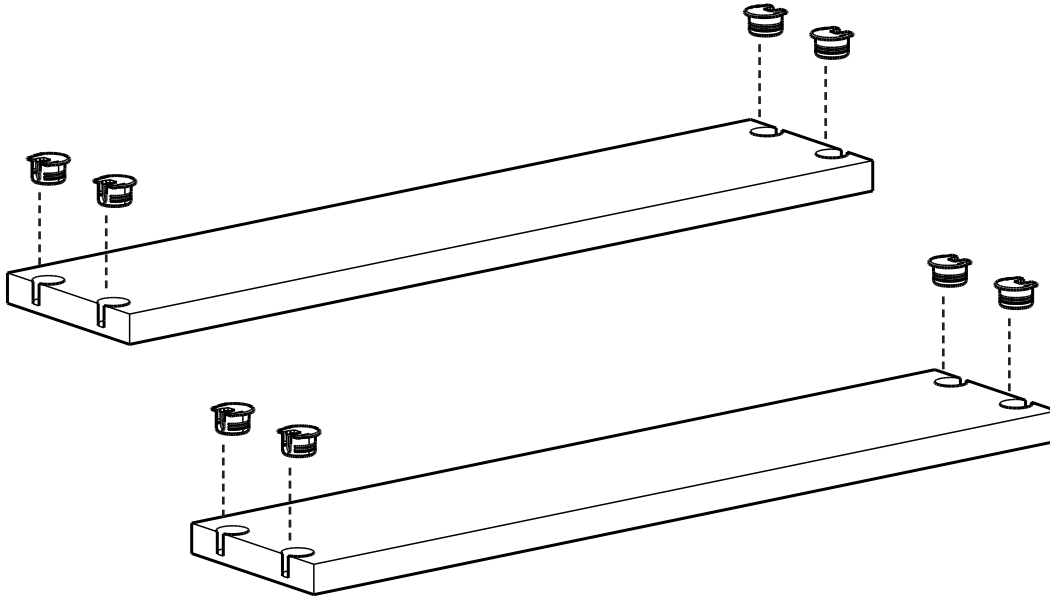
Insert Wedgefix hardware into 2 (or for tall hanging, 3) cleats.

Wedgefix

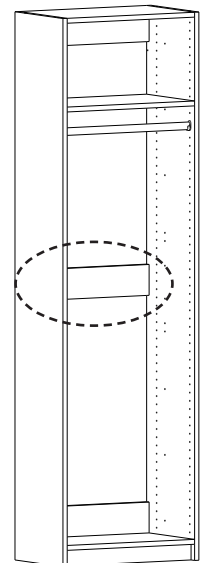
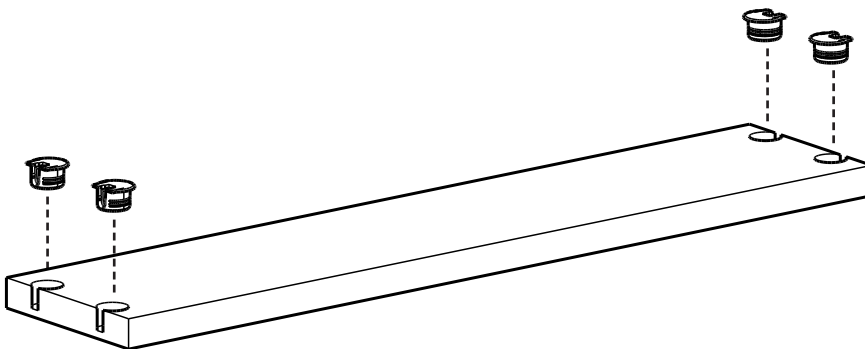
x12



Reminder: Rafix has locking mechanism.  
Wedgefix is solid plastic



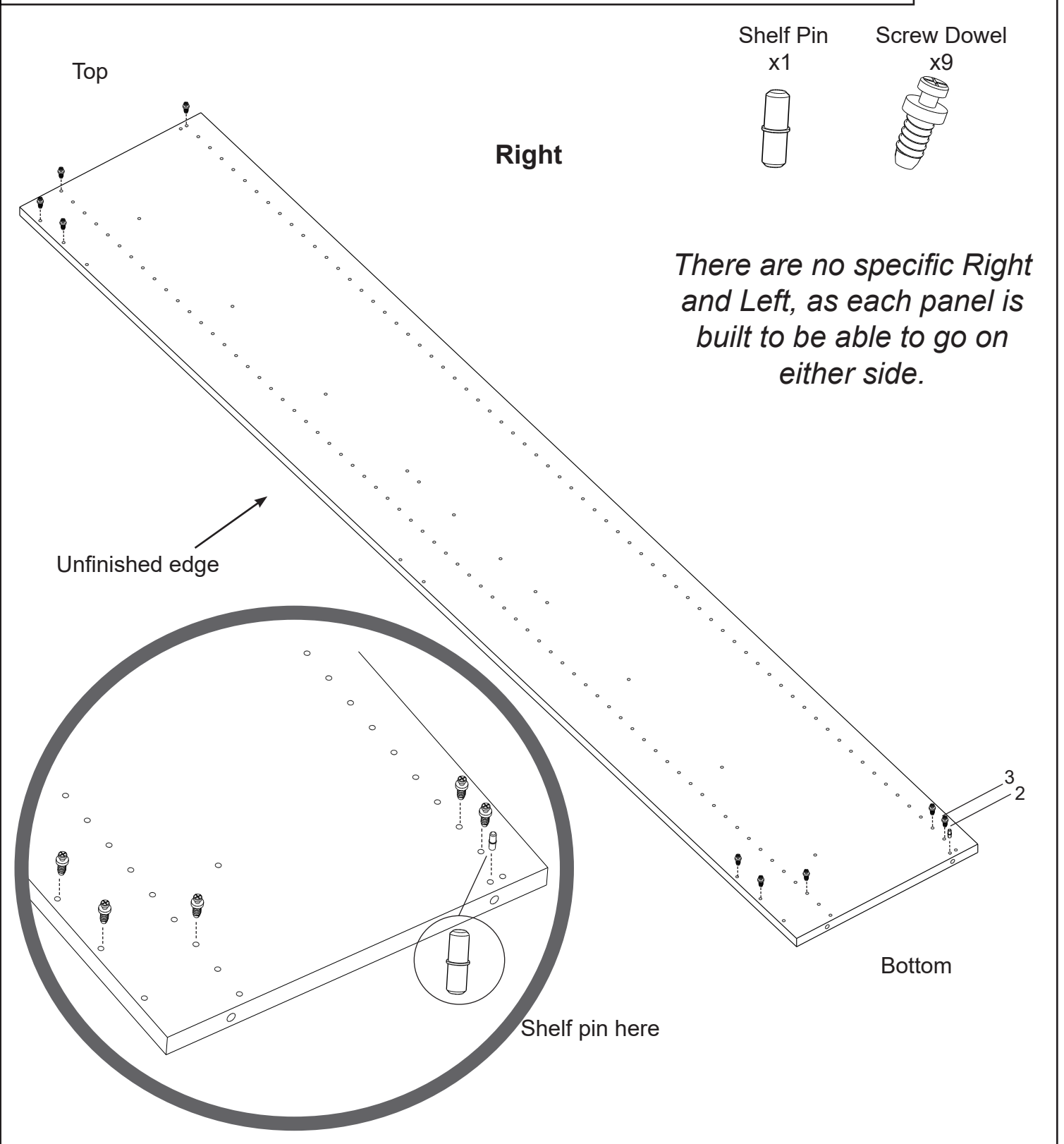
The third cleat will only be used in a tall hanging configuration . . . . .



Repeat the above 3 steps for all the fixed shelf packs

### Step 4

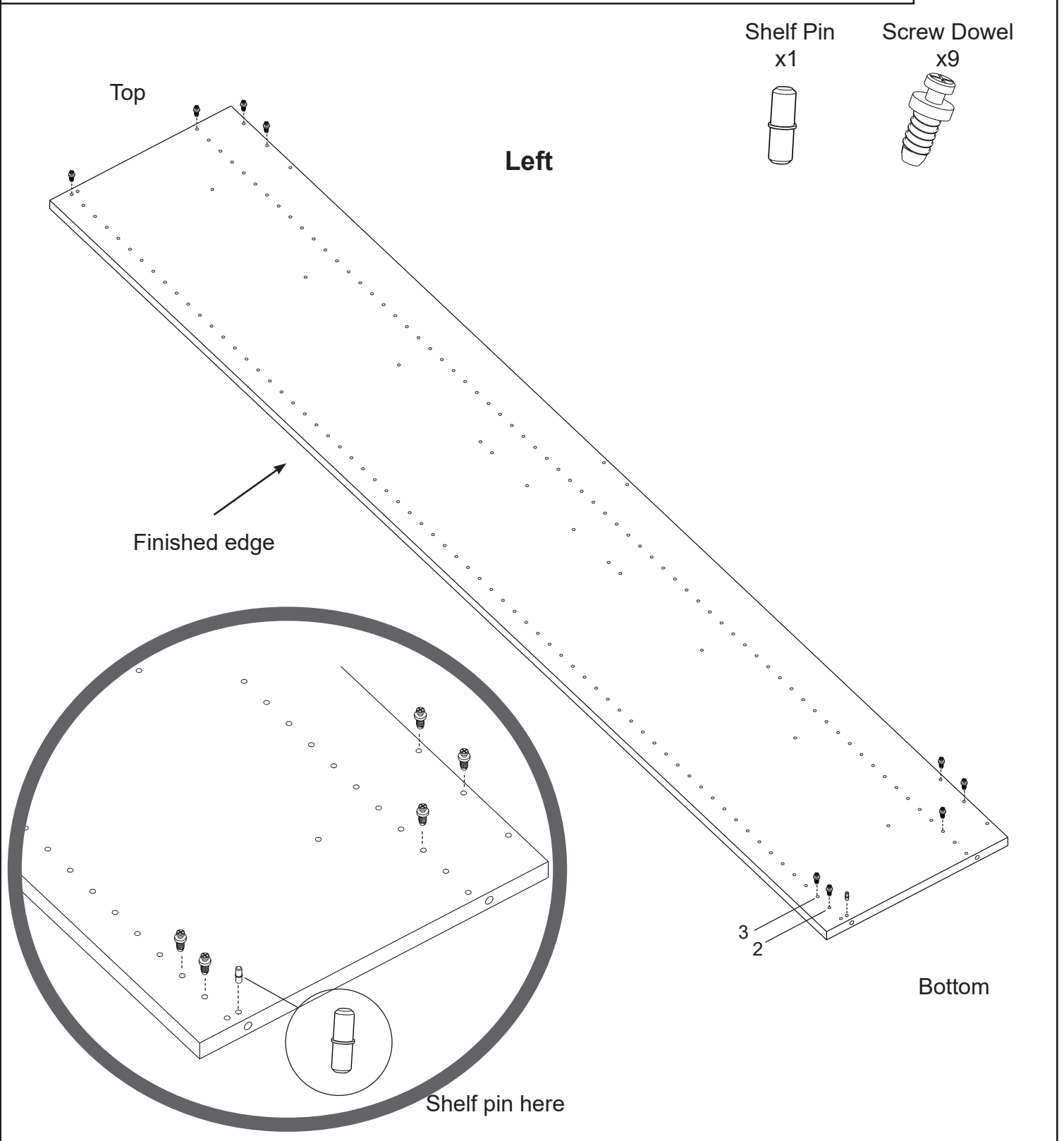
Next, open the side panel pack (ALT-SP). Insert the Screw Dowels and Shelf Pin as shown below.





### Step 5

Insert the Screw Dowels and Shelf Pin in the second panel as shown below.



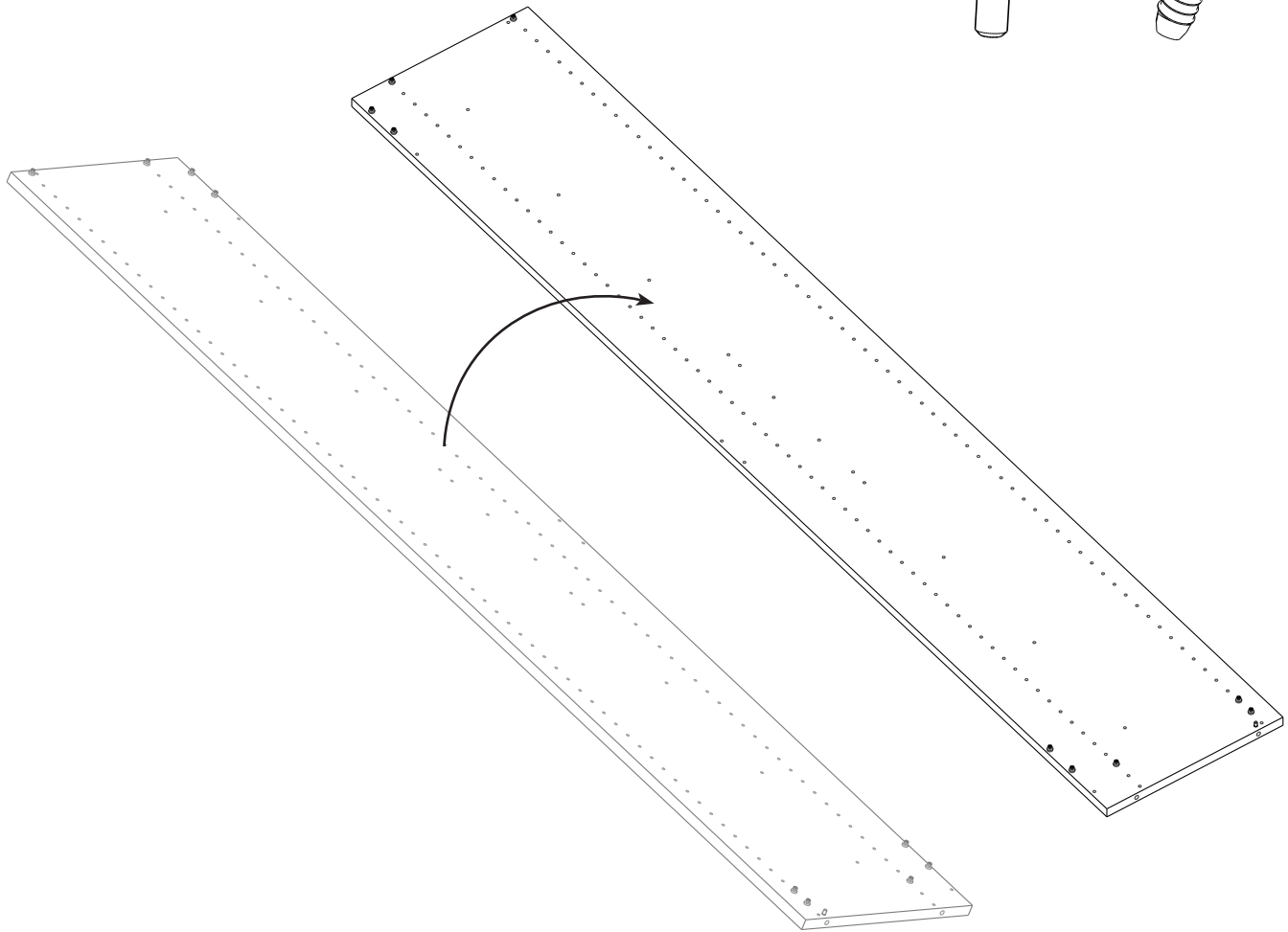
### Step 6

When units share a side use Center Panels (ALT-CP). Insert Screw Dowels and Shelf Pin as shown in step 4. Then flip it over, and insert Screw Dowels and Shelf Pin as shown in step 5.

Shelf Pin  
x2



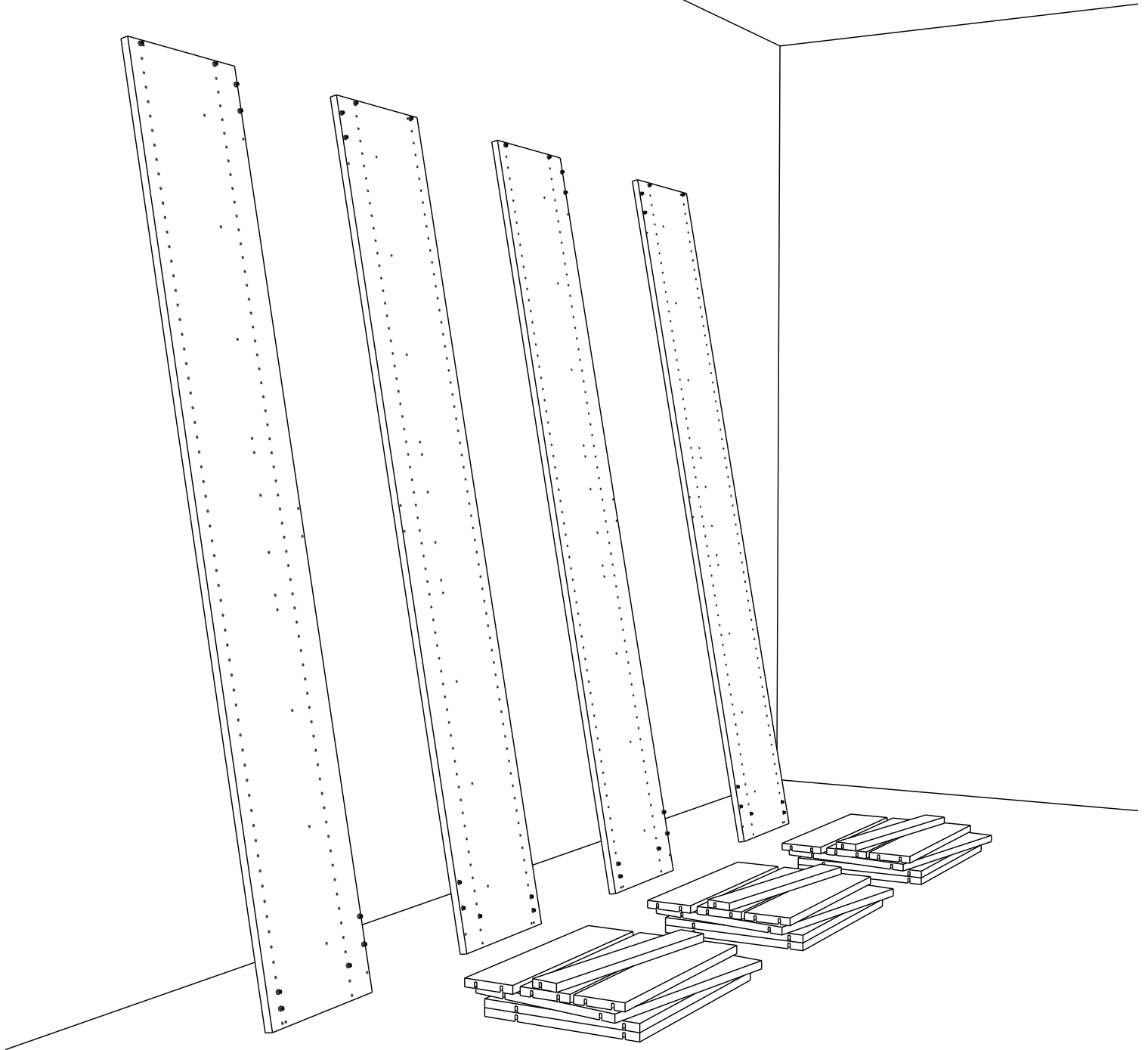
Screw Dowel  
x18





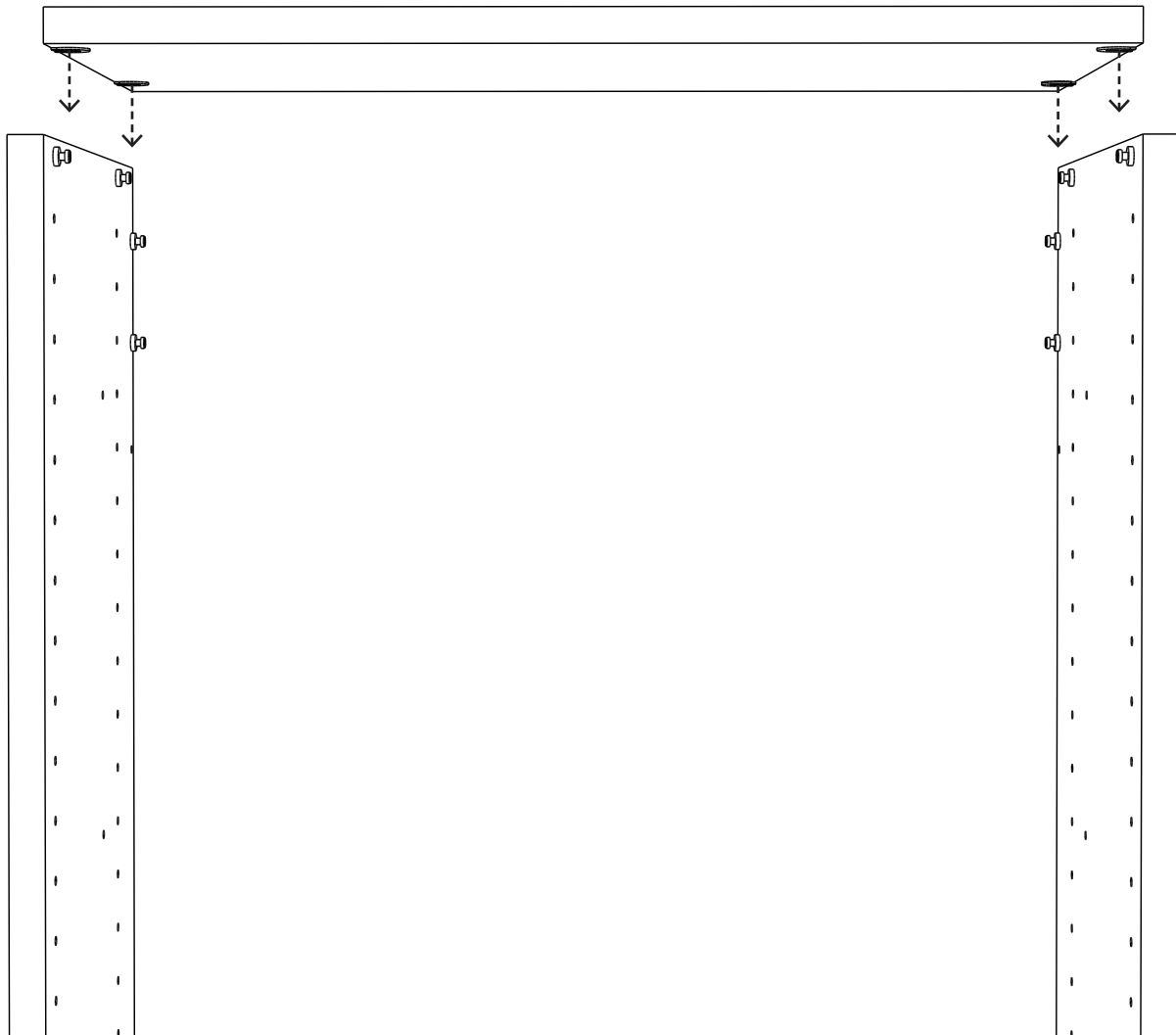
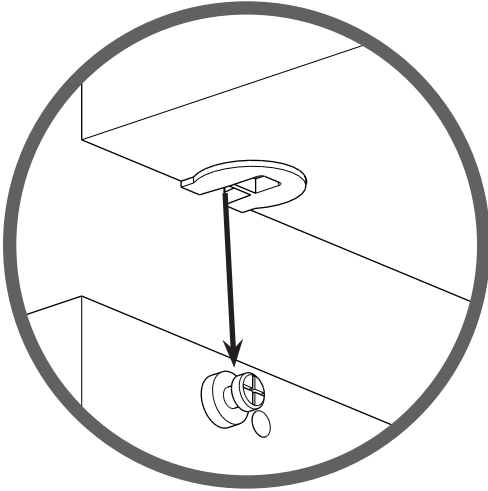
### Step 7

Line up the panels along the wall in the order that the panels will be installed. Side panels will be on each end with center panels in the middle. Set up piles with the fixed shelves and cleats in between the panels, in order to have them on hand during the installation. Ensure that you have the correct sizes in the correct spots.



### Step 8

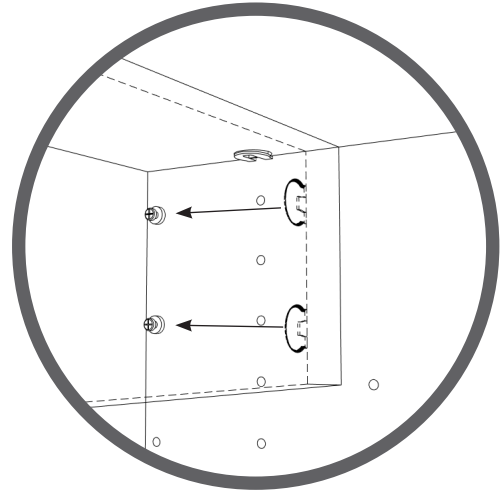
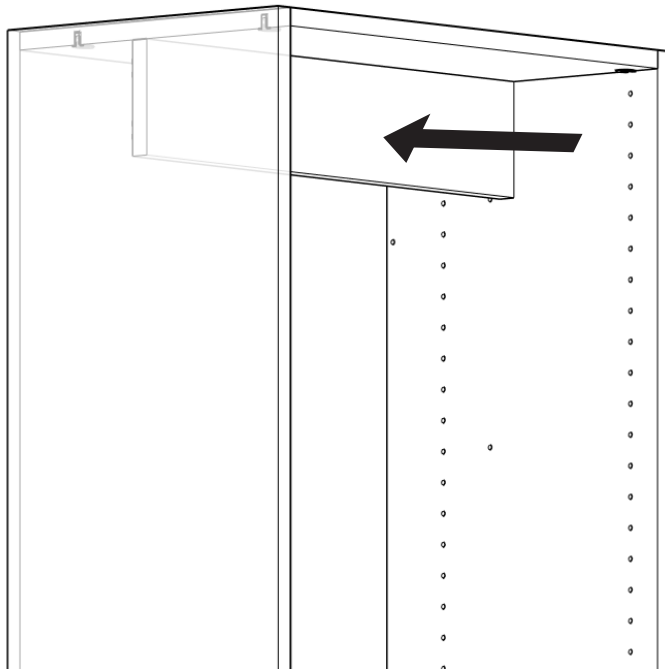
Connect the left-most side panel to the adjacent center panel by attaching 1 of the fixed shelves (Rafix only) onto the top of the panels, as shown below. (refer to your closet plan to ensure the correct shelf size)





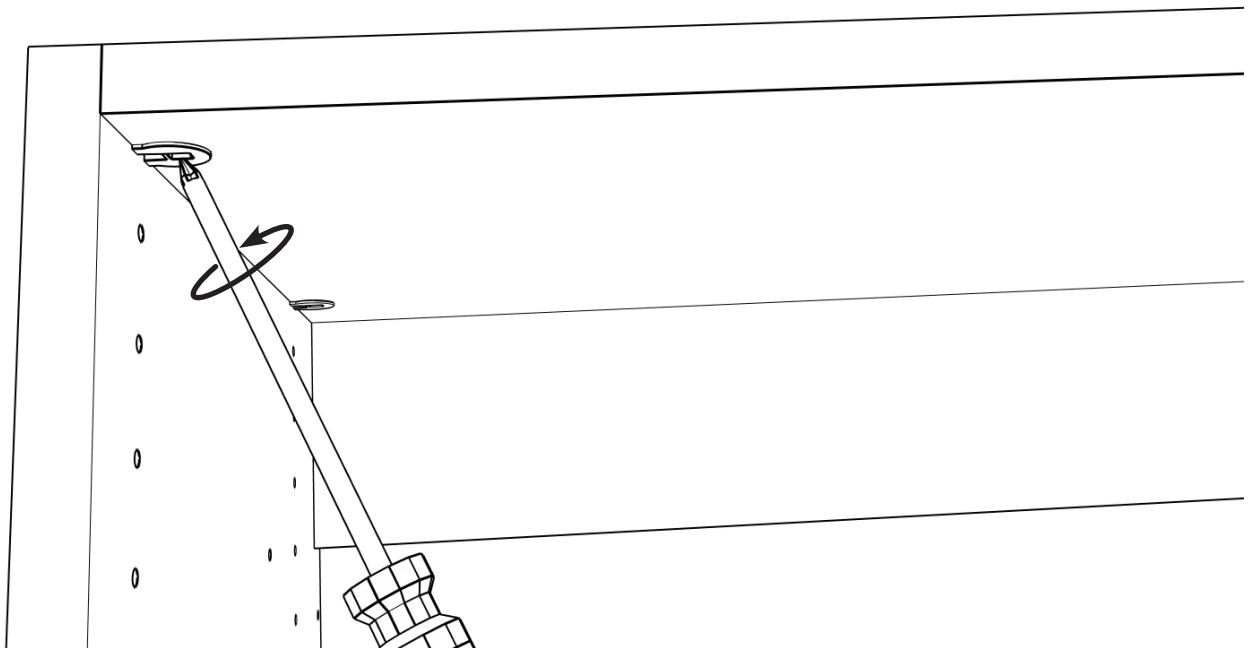
### Step 9

Hold steady and connect the cleat to the panels by simply clicking the Wedgefix hardware into the Screw Dowels on each side.



### Step 10

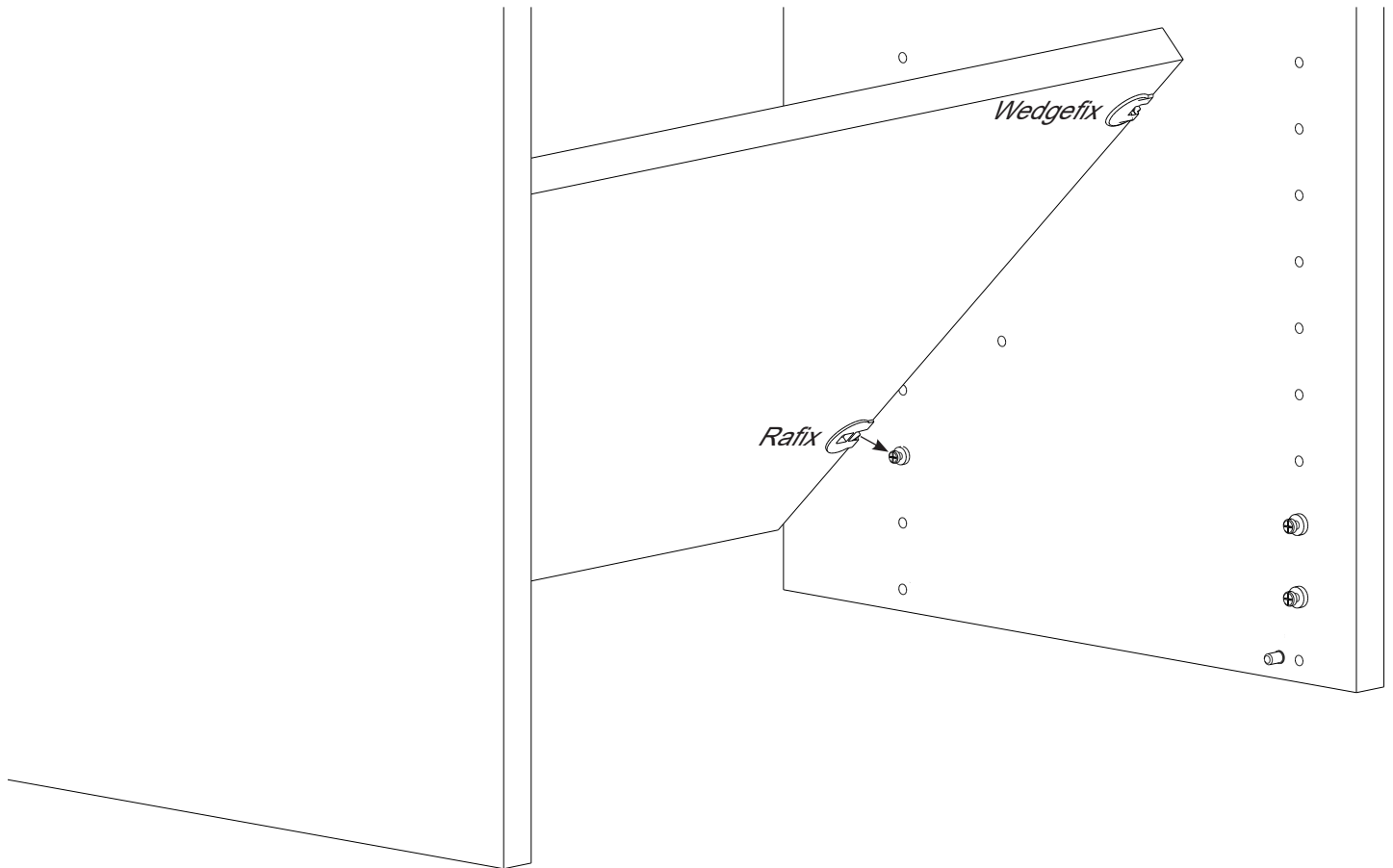
Using a Philips Screw Driver, tighten and secure all 4 Rafx hardware.





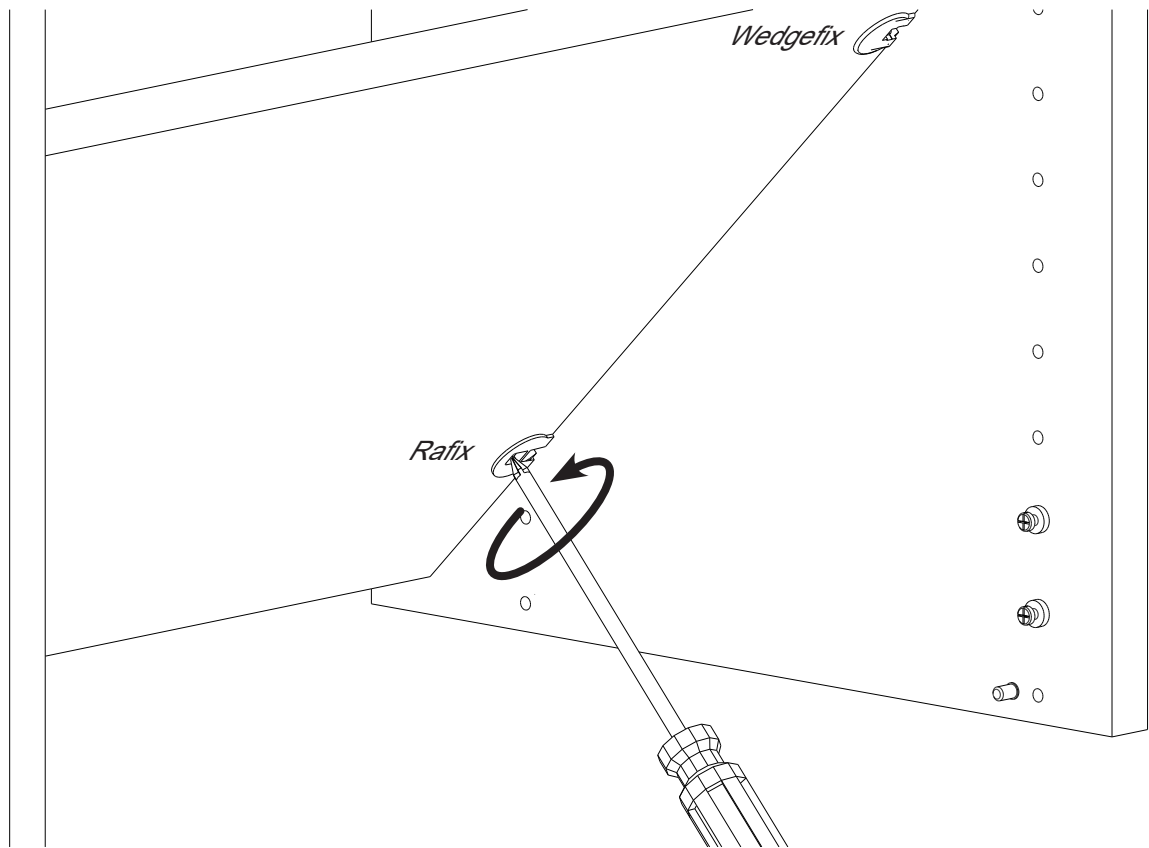
### Step 11

Insert the bottom fixed shelf (with 2 rafixes and 2 wedgexes from step 2) and insert the back 2 rafixes into the screw dowels as shown below.



## Step 12

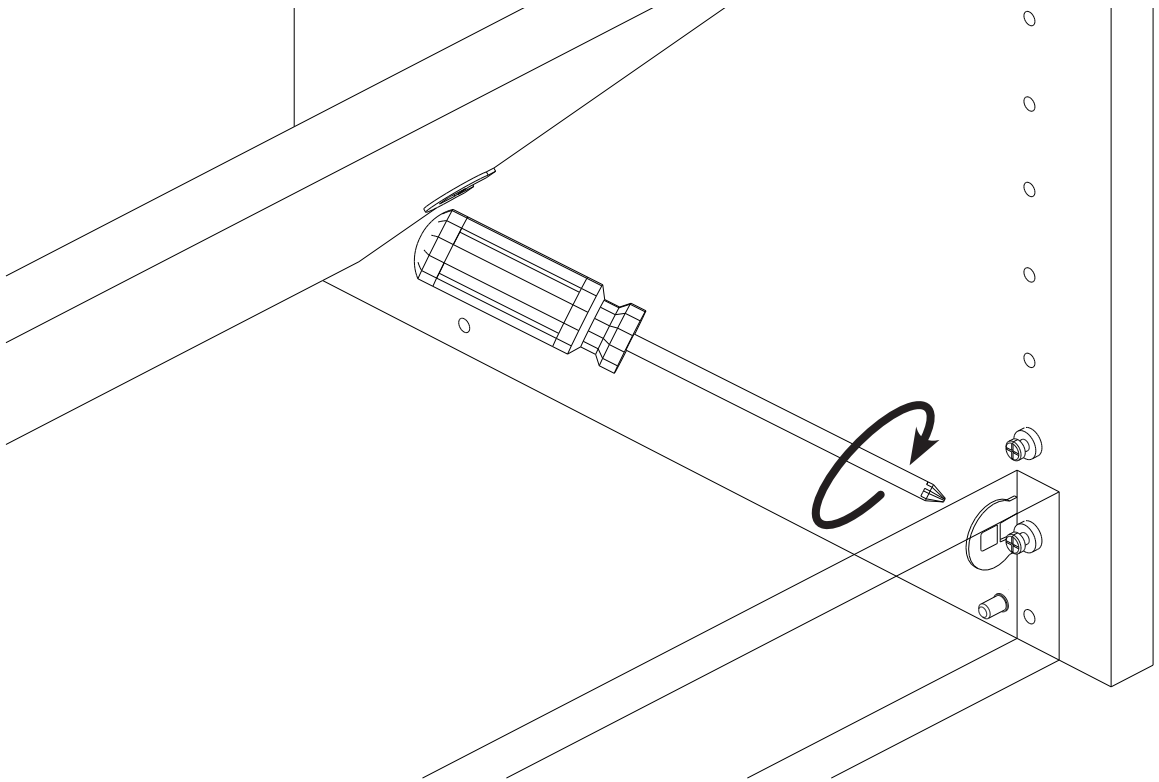
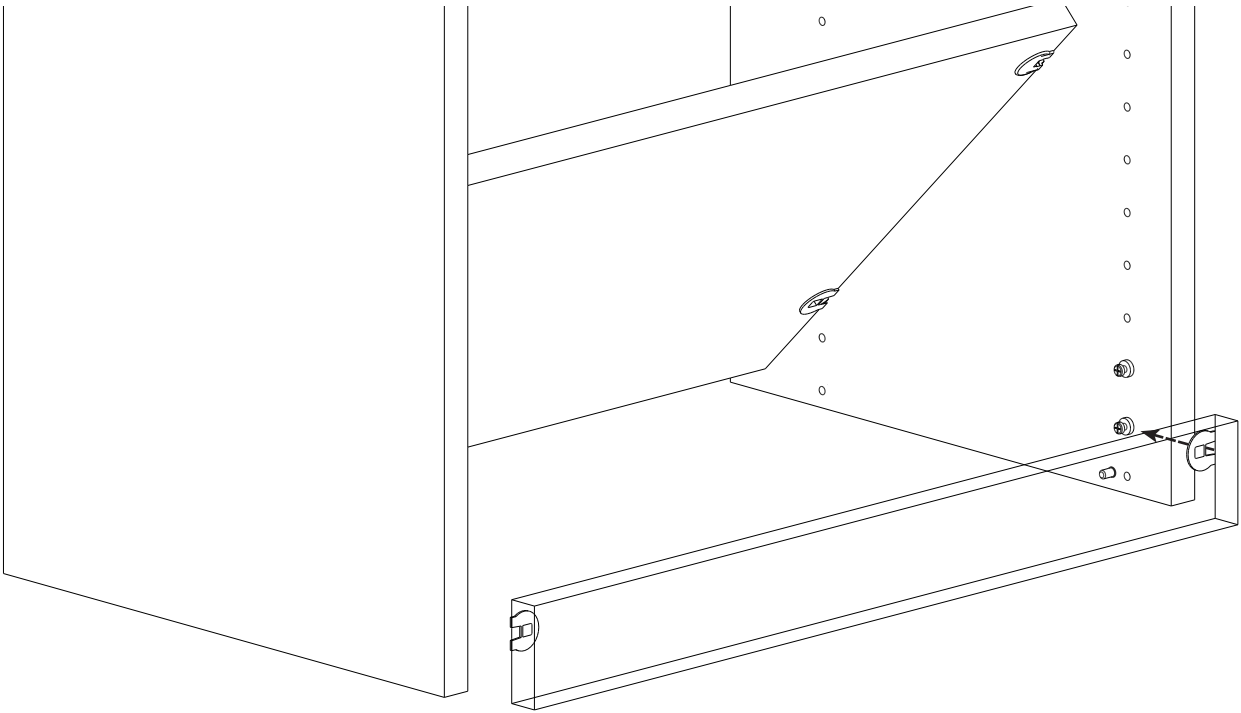
Hold the shelf at an angle and tighten and secure the rafixes on either side





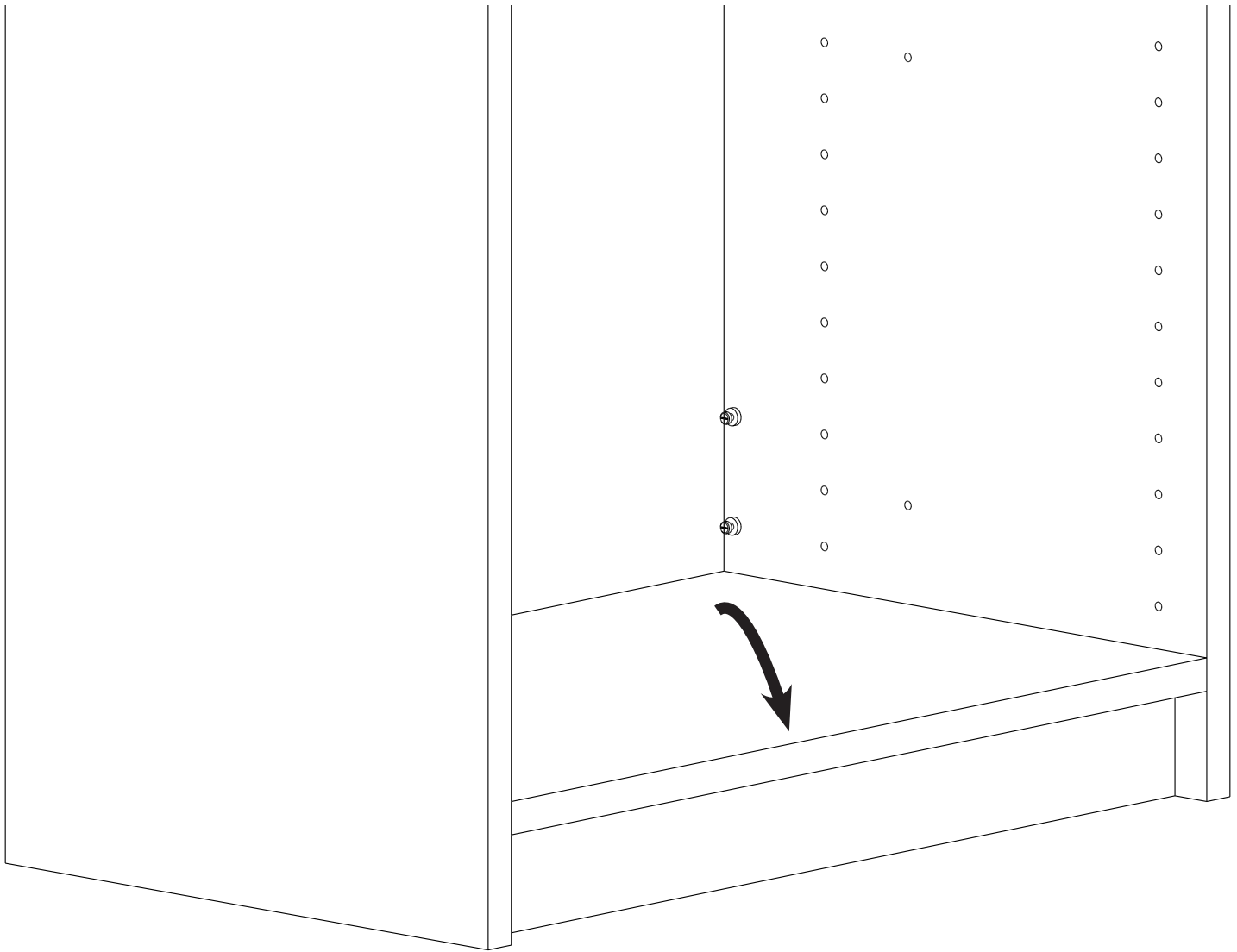
### Step 13

Insert the toe kick by securing then tightening the rafixes.



### Step 14

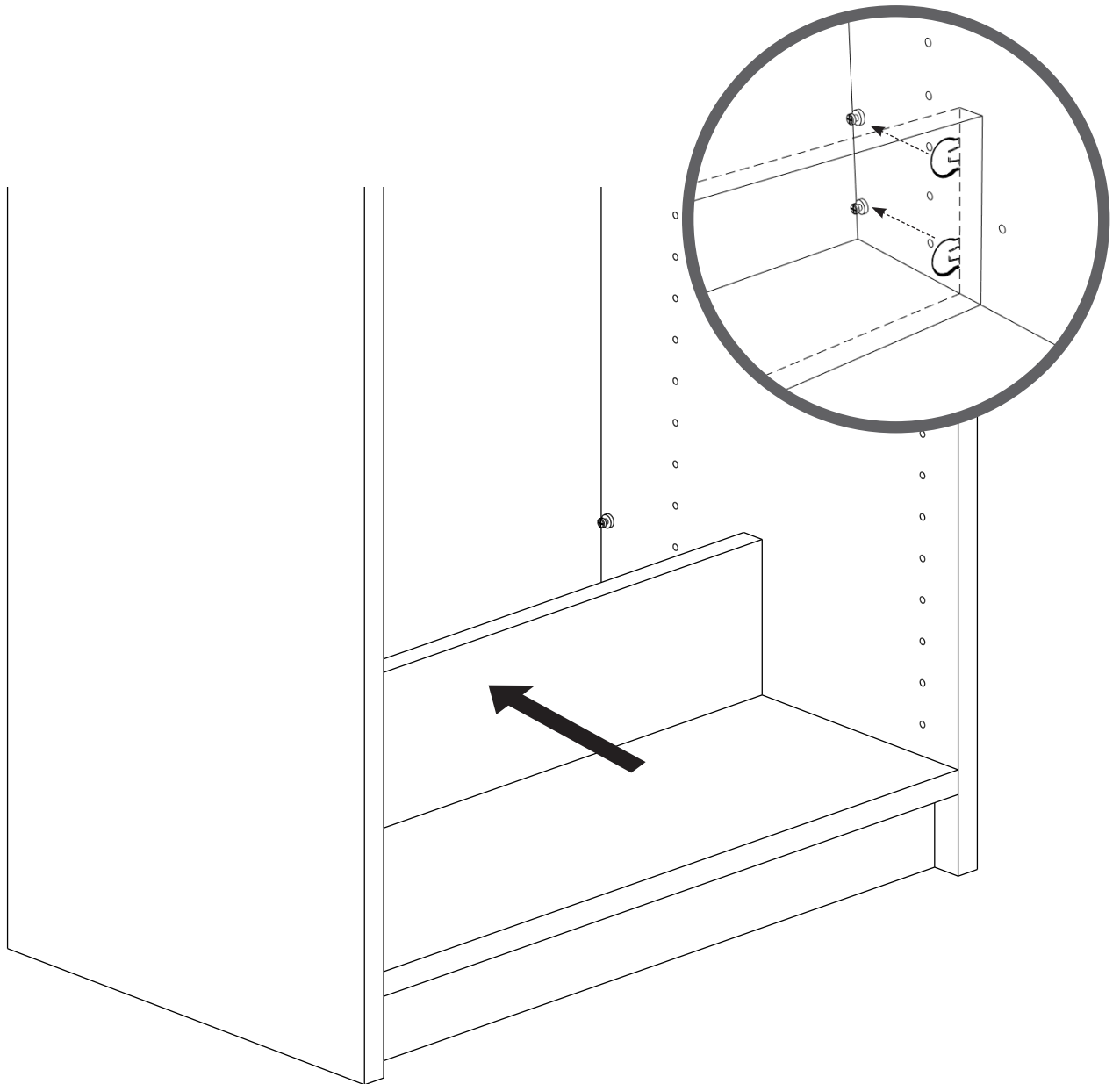
Swing down the shelf to rest on the front 2 screw dowels.





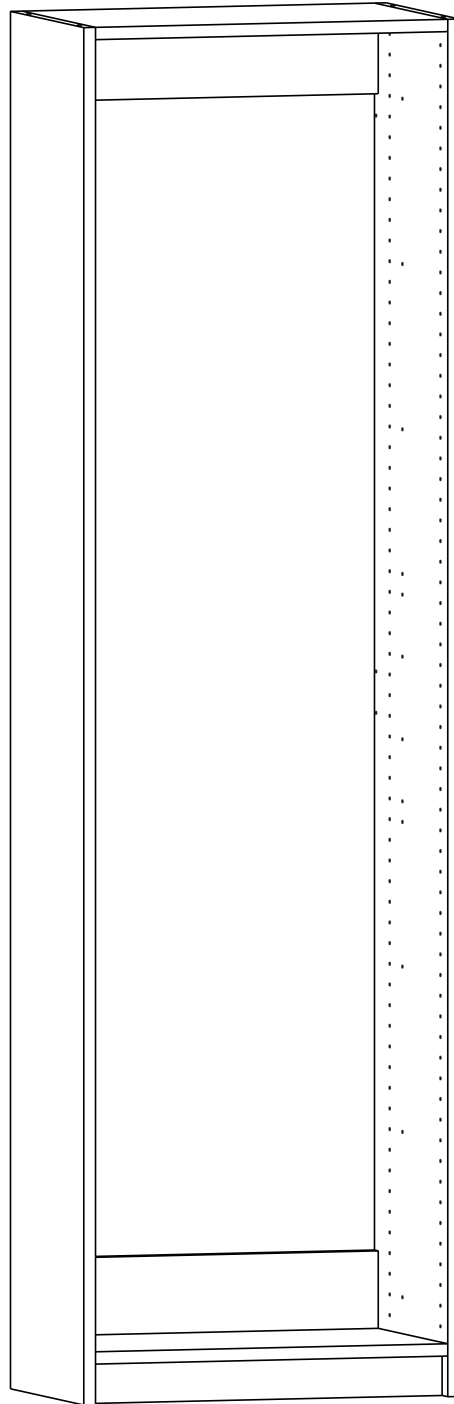
### Step 15

Connect bottom cleat by simply clicking the wedgfixes into the screw dowels on each side.



**Step 16**

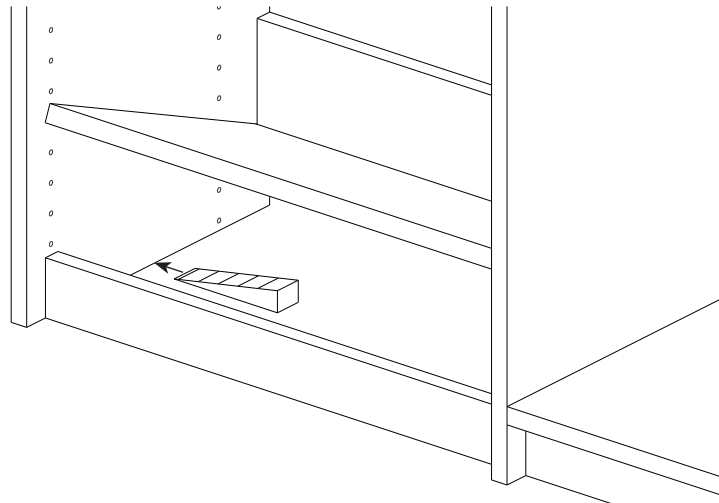
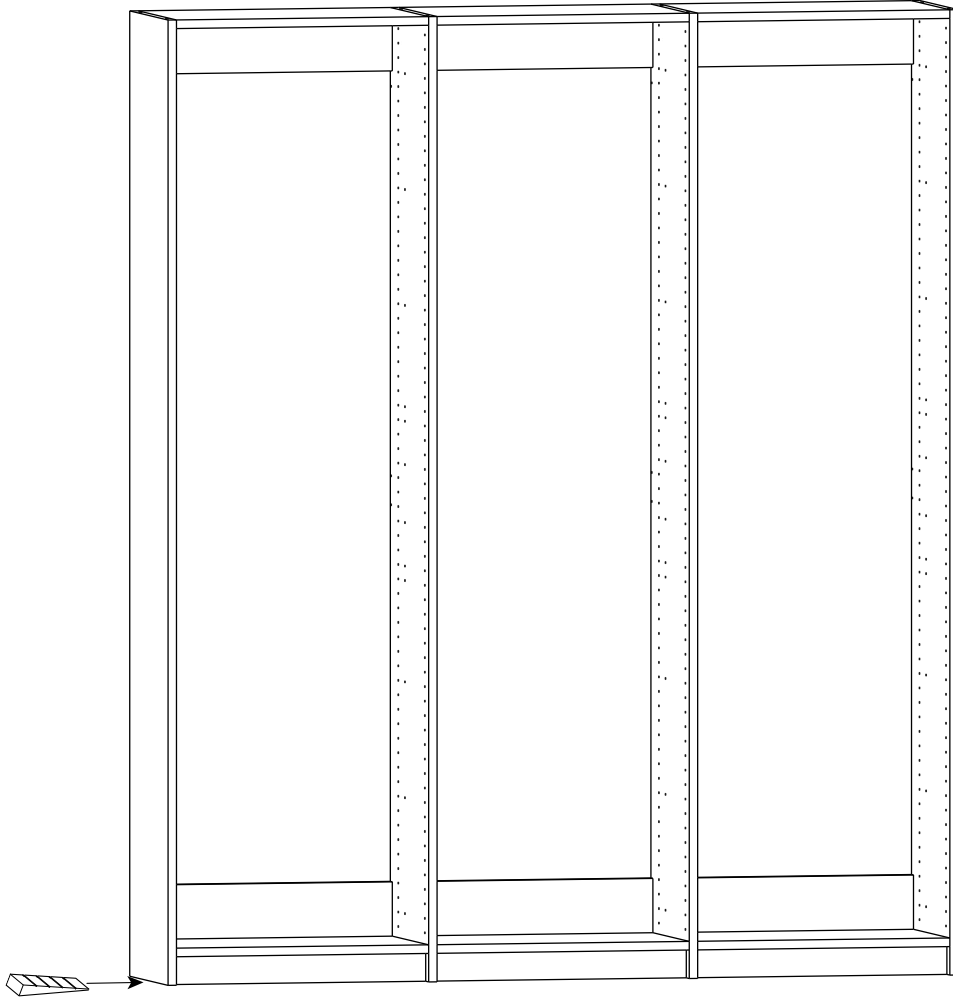
You have now completed the first base unit! Simply repeat steps 8-15 for the remaining units.





### Step 17

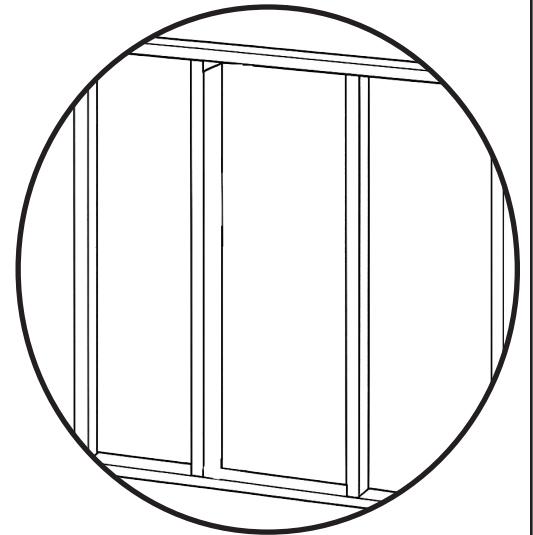
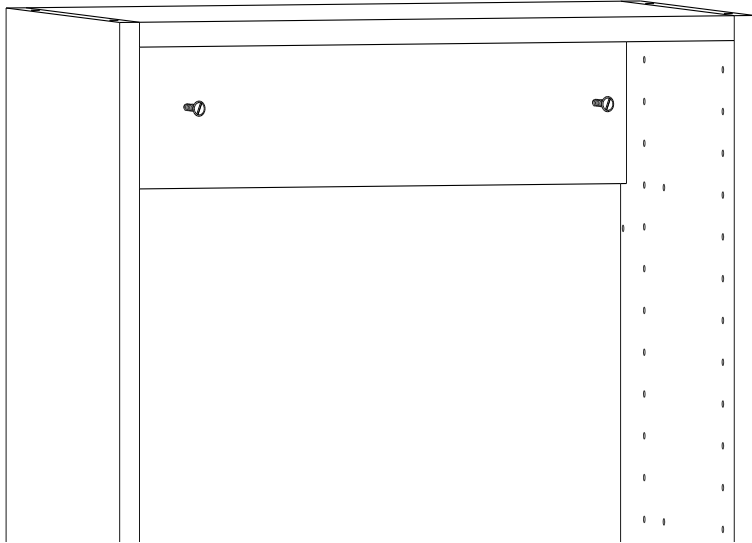
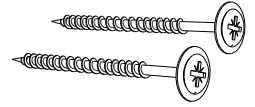
Ensure that the base units are in their final place and leveled. You can also swing open the bottom shelf to place wedges.



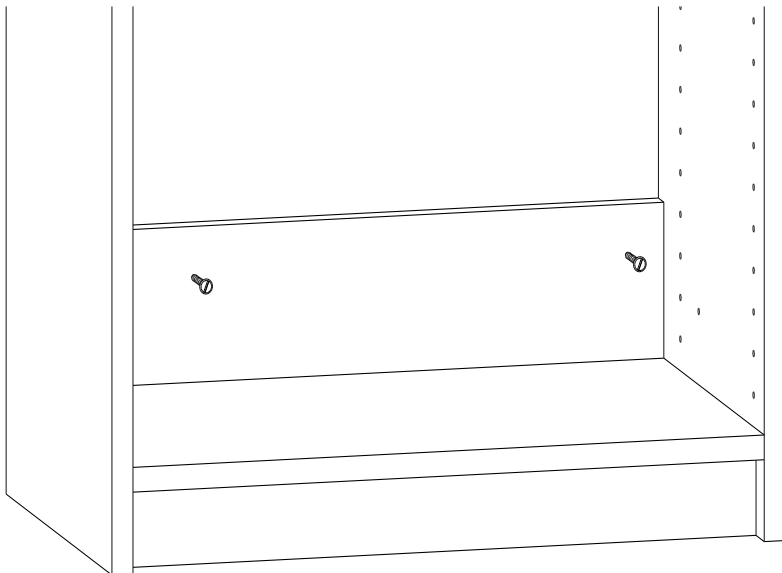
### Step 18

Using a Stud Finder, search for the studs in the wall and drill the screws through the top, bottom, and, if applicable, middle cleats in each unit into the studs. If there is only one stud, drill two screws into each cleat, one on top of the other.

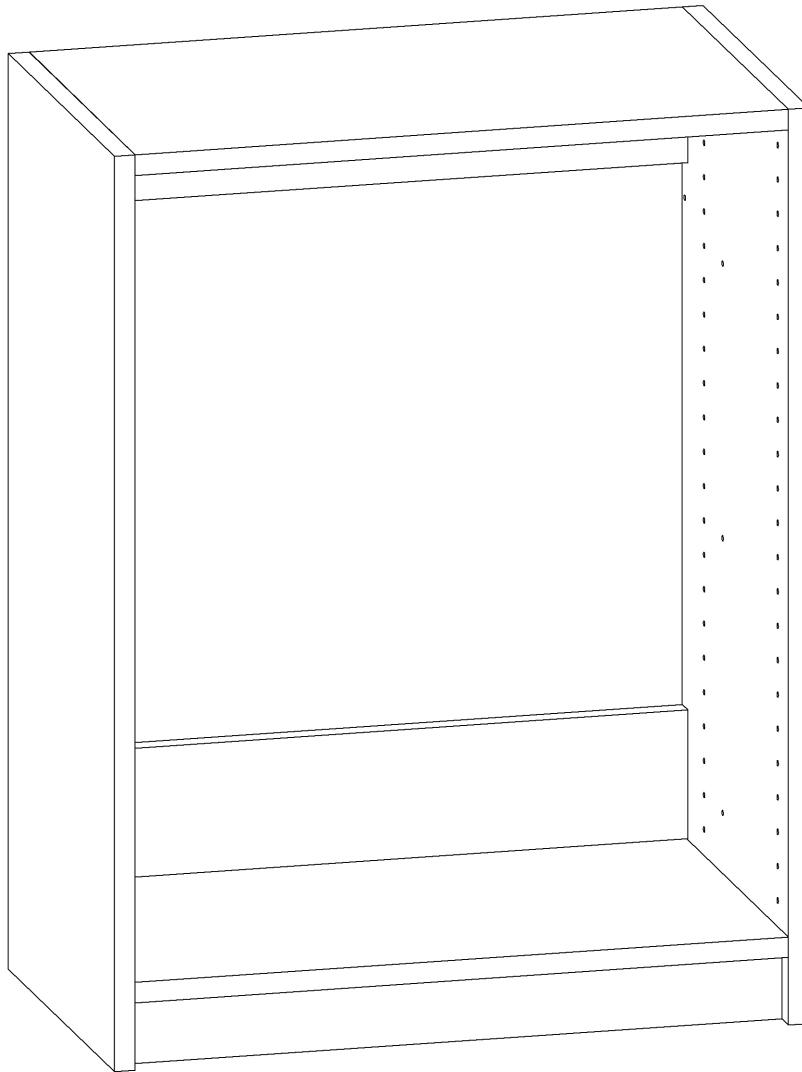
Anchor Screws  
x6



Use Stud Finder on wall to locate studs for Anchor Screws



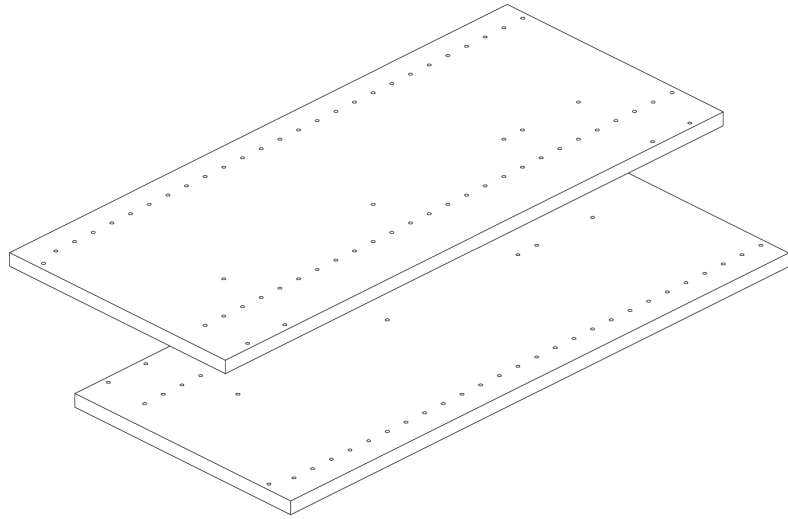
Alto Short Tower



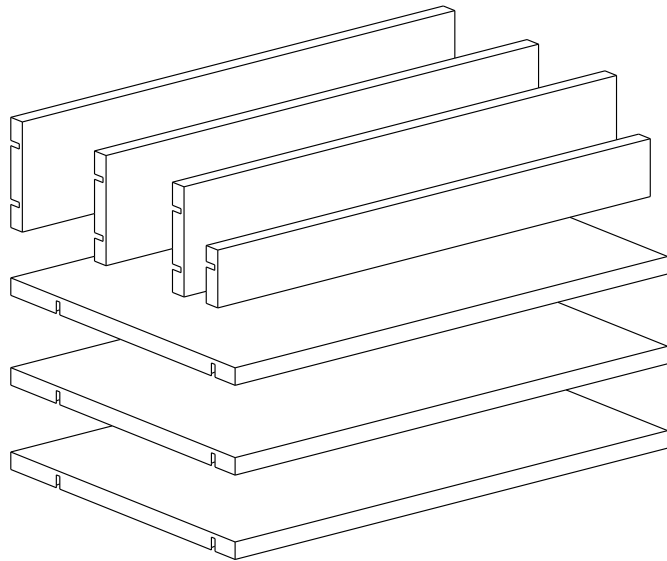
### Boxes Needed

#### ALT-SP34 Alto Side Panel Pack

*There are no Right and Left as each panel is built to be able to go on either side.*



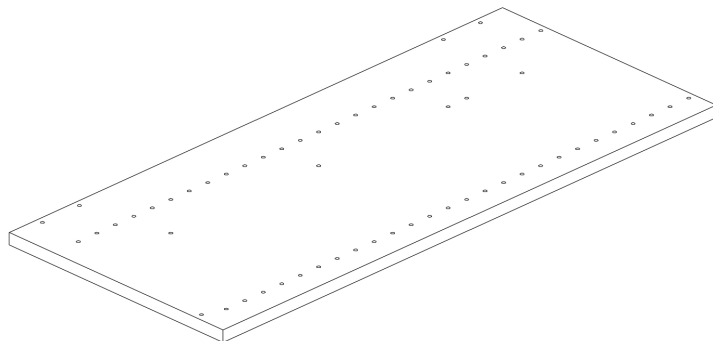
#### ALT-FS Alto Fixed Shelf Pack



For combined units

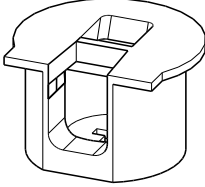
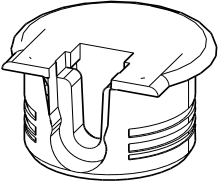
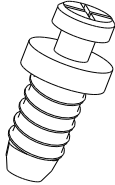
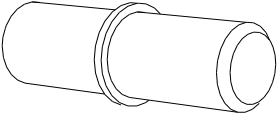
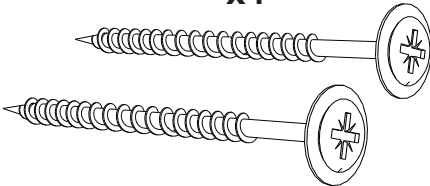
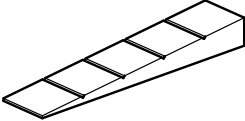


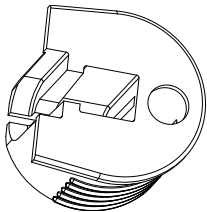
#### ALT-CP34 Alto Center Panel (1 or 2 Pack)





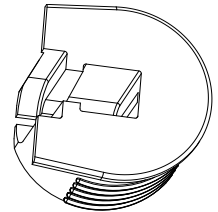
Hardware Packs Needed  
ALT-HRDP-FS

|  |  |   |  |
|--|--|---|--|
| <p><b>Rafix</b><br/>x12</p>  <p>has metal locking mechanism</p> | <p><b>Wedgefix</b><br/>x14</p>  <p>solid white piece-no locking mechanism</p> | <p><b>Screw Dowel</b><br/>x26</p>  | <p><b>Shelf Pin</b><br/>x2</p>  |
| <p><b>Anchor Screws</b><br/>x4</p>                              |  | <p><b>Leveling Wedge</b></p>        |  |



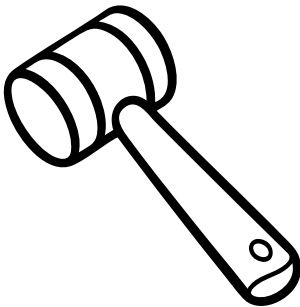
**Please Note: Rafix/Wedgefix**

Rafix hardware has an additional hole at the top of the hardware to allow a screwdriver to secure the clip once inserted to screw dowel. Wedgefix hardware does NOT have this additional hole.

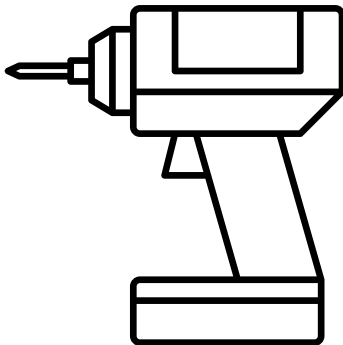


**Tools Needed**

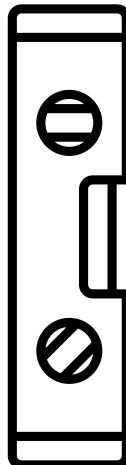
Rubber Mallet



Drill



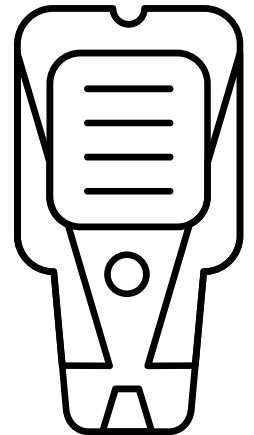
Level



Philips Screw Driver



Stud Finder

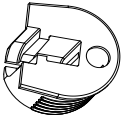


2 person assembly suggested

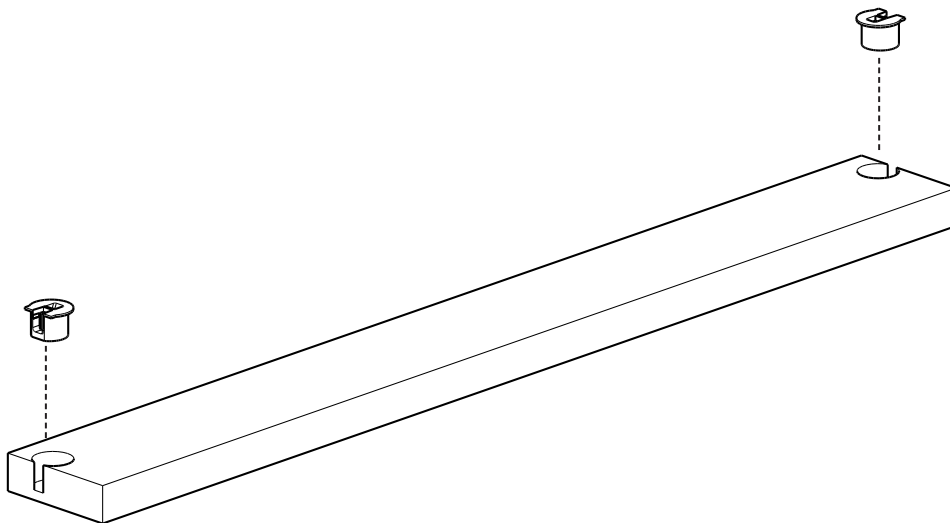
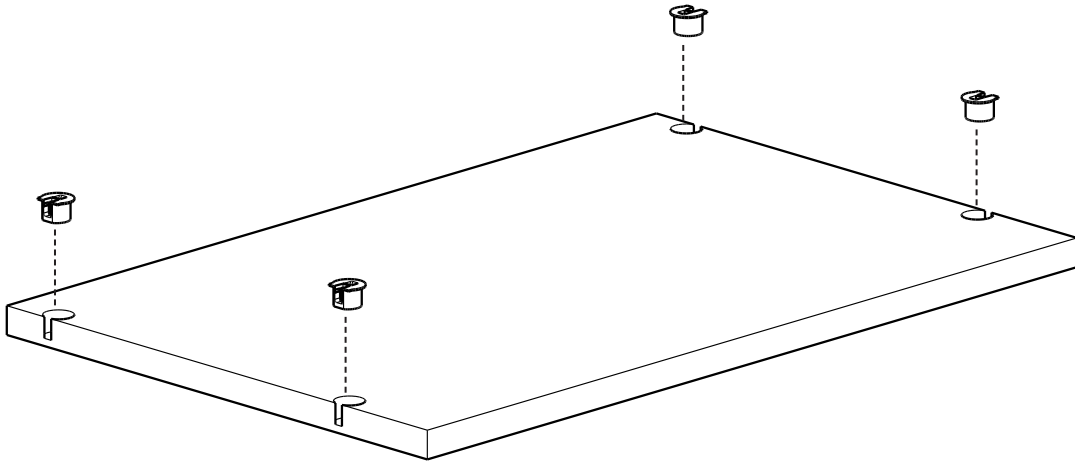
## Step 1

From Box ALT-FS take 1 shelf and the toe kick and insert the Rafx hardware as shown below.

Rafx  
x10



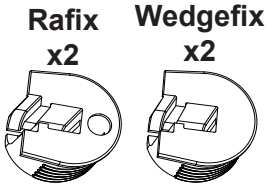
**Reminder: Rafx has locking mechanism.  
Wedgefix is solid plastic**



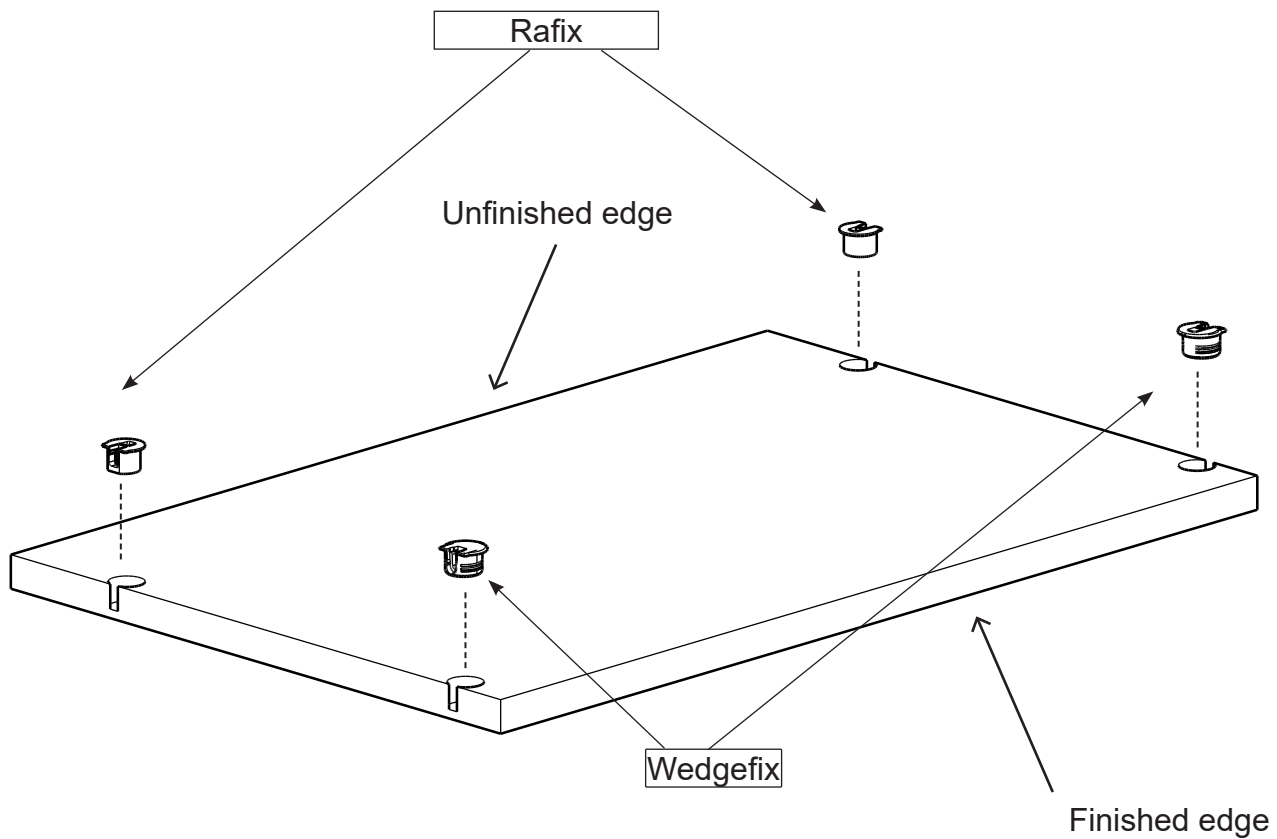


### Step 2

For the 2nd fixed shelf, insert 2 Rafx hardware in the holes closer to the unfinished edge, and 2 Wedgefix hardware in the holes closer to the finished edge.



**Reminder: Rafx has locking mechanism.  
Wedgefix is solid plastic**

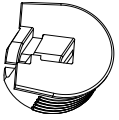


This will be used as the bottom fixed shelf

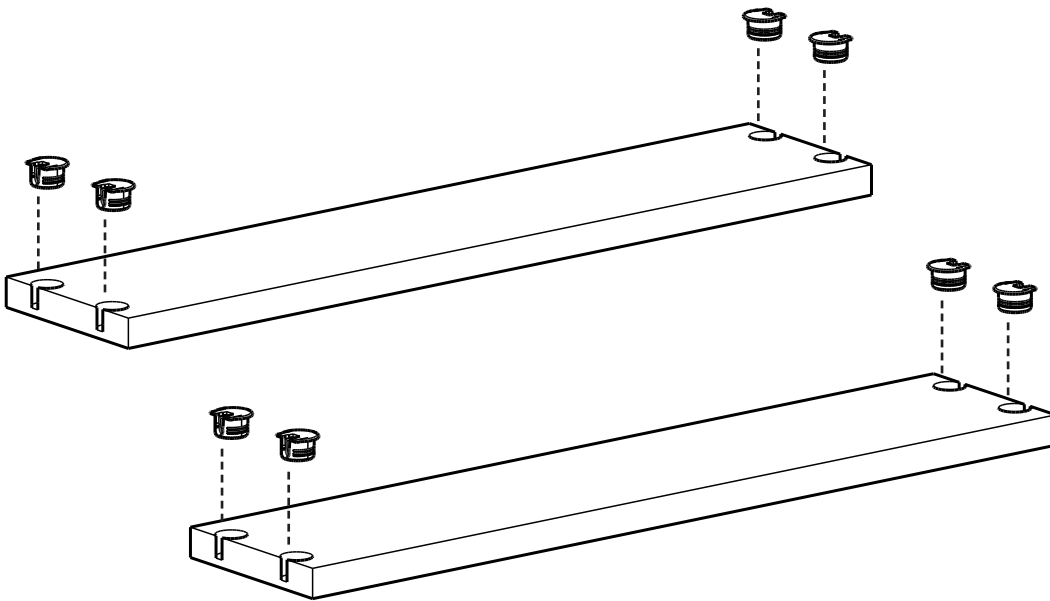
### Step 3

Insert Wedgefix hardware into 2 cleats.

Wedgefix  
x12



**Reminder: Rafix has locking mechanism.  
Wedgefix is solid plastic**

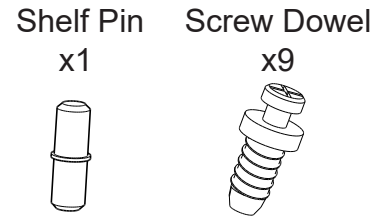


Repeat the above 3 steps for all the fixed shelf packs



### Step 4

Next, open the side panel pack (ALT-SP). Insert the Screw Dowels and Shelf Pin as shown below.

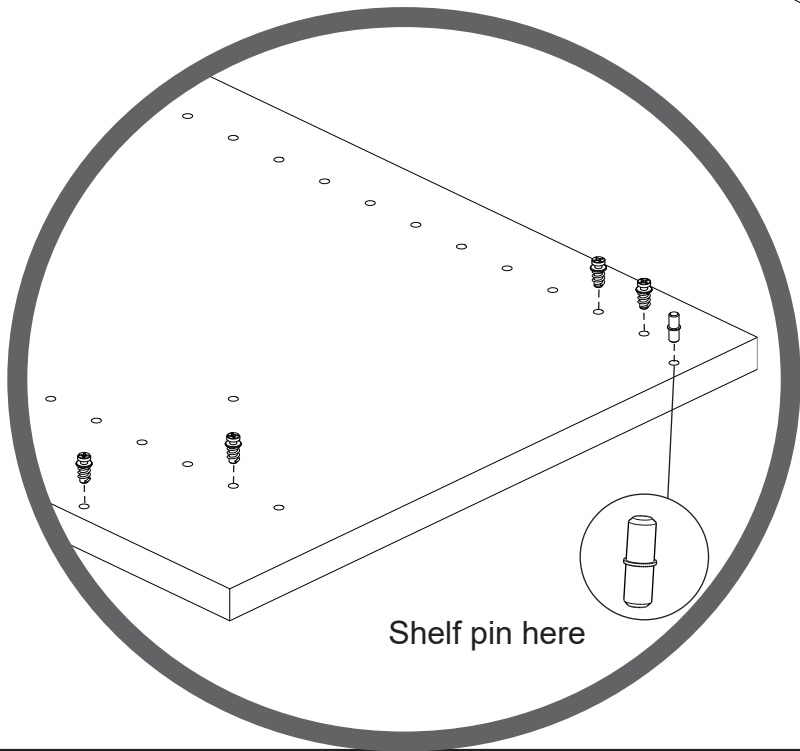


Right

Top

Unfinished edge

Bottom





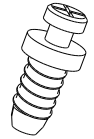
### Step 5

Insert the Screw Dowels and Shelf Pin into the second panel as shown below.

Left

Shelf Pin  
x1

Screw Dowel  
x9

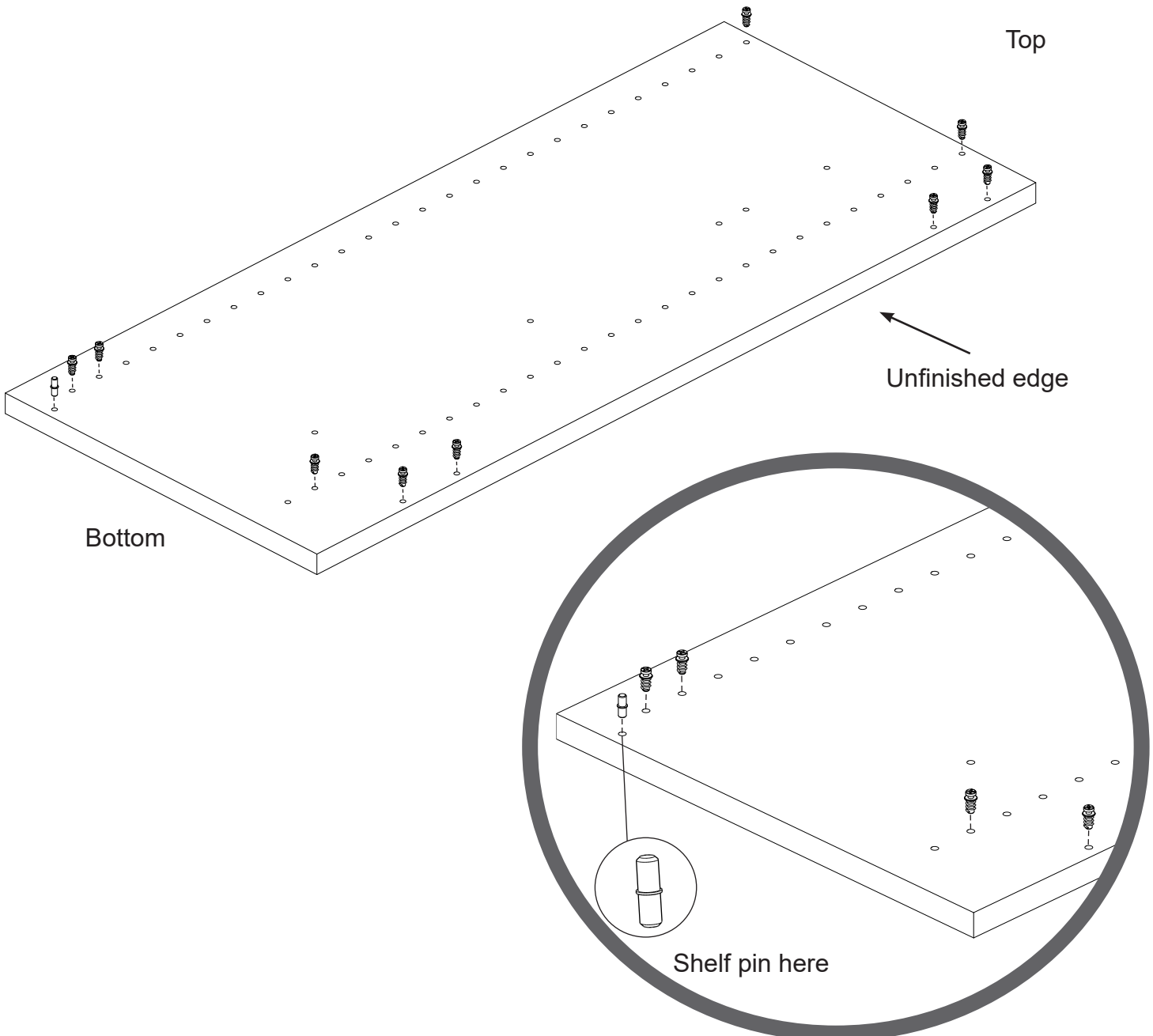


Top

Unfinished edge

Bottom

Shelf pin here





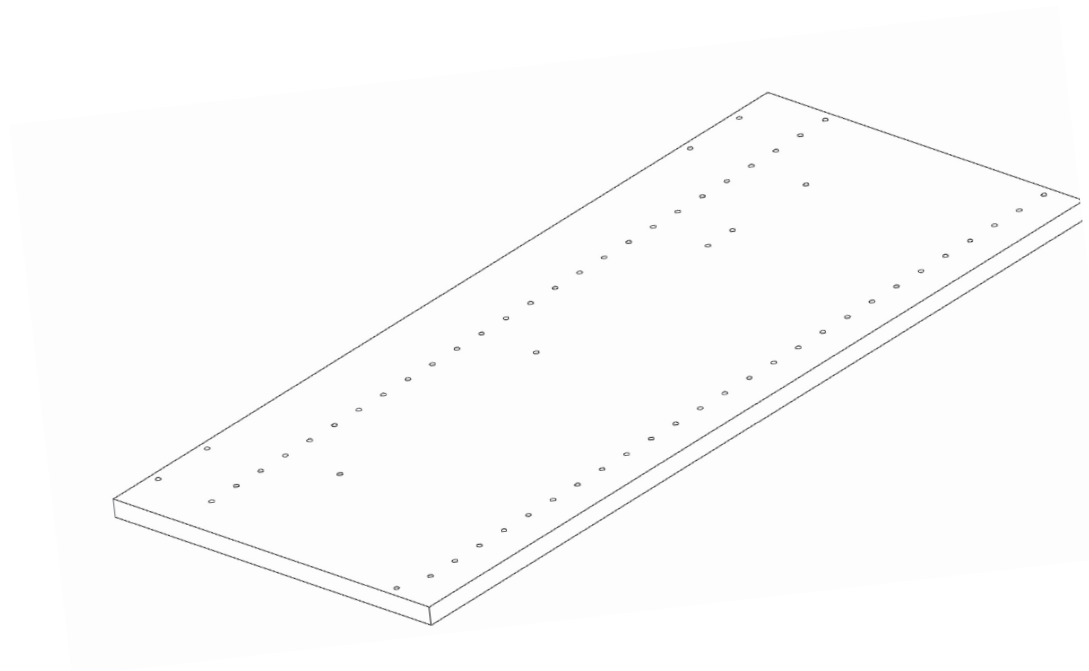
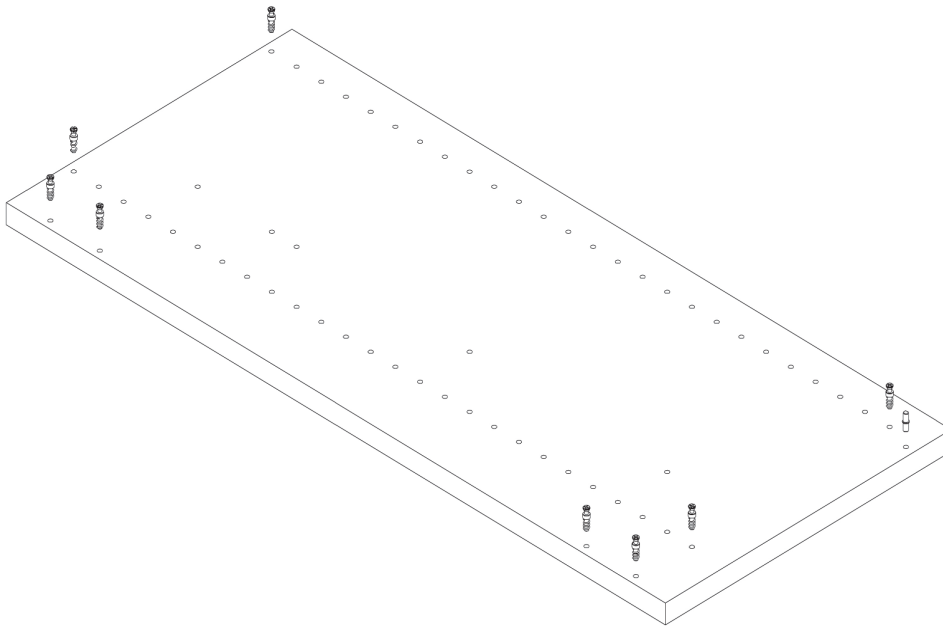
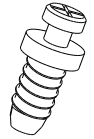
### Step 6

When units share a side, use Center Panels (ALT- CP34). Insert Screw Dowels and Shelf Pin as shown in step 4. Then flip the panel over, and insert Screw Dowels and Shelf Pin as shown in step 5.

Shelf Pin  
x2

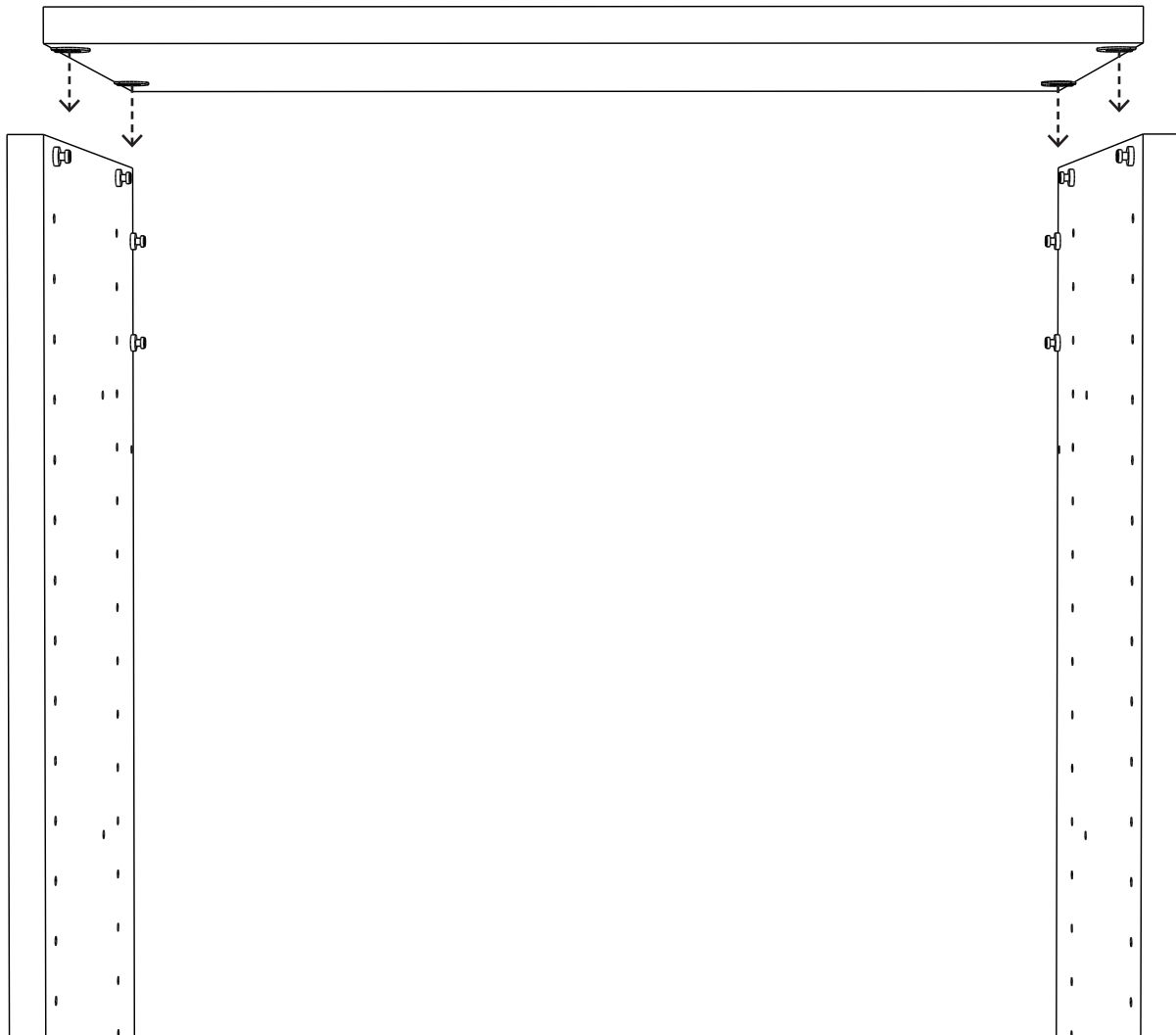
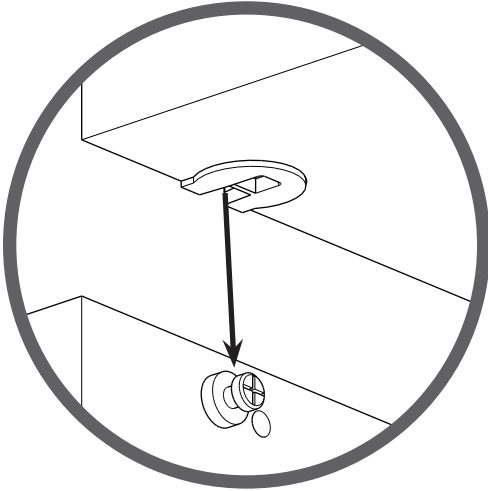


Screw Dowel  
x18



### Step 7

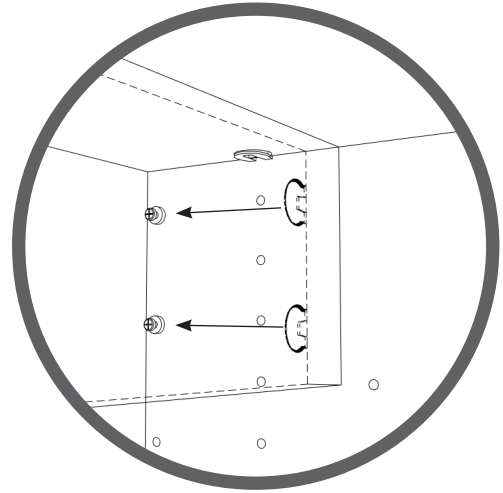
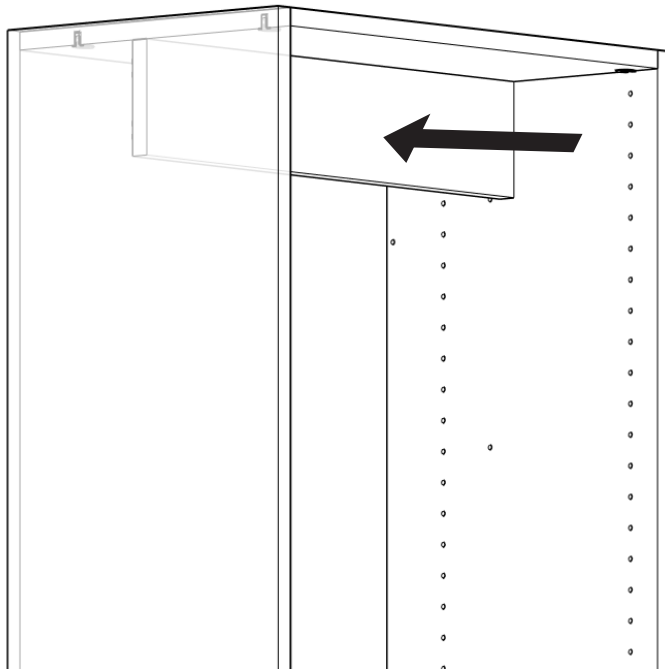
Connect the left-most side panel to the adjacent center panel by attaching 1 of the fixed shelves (rafixes only) onto the top of the panels, as shown below. (refer to your closet plan to ensure the correct shelf size)





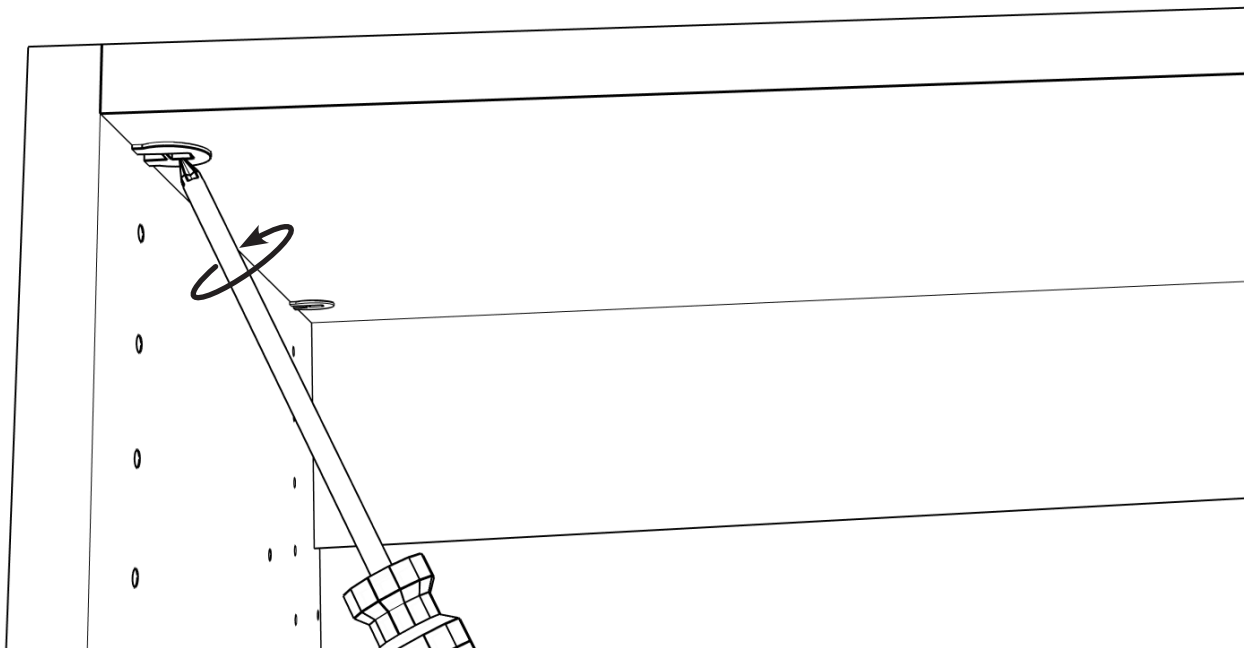
### Step 8

Hold steady and connect the cleat to the panels by simply clicking the wedgfixes into the screw dowels on each side.



## Step 9

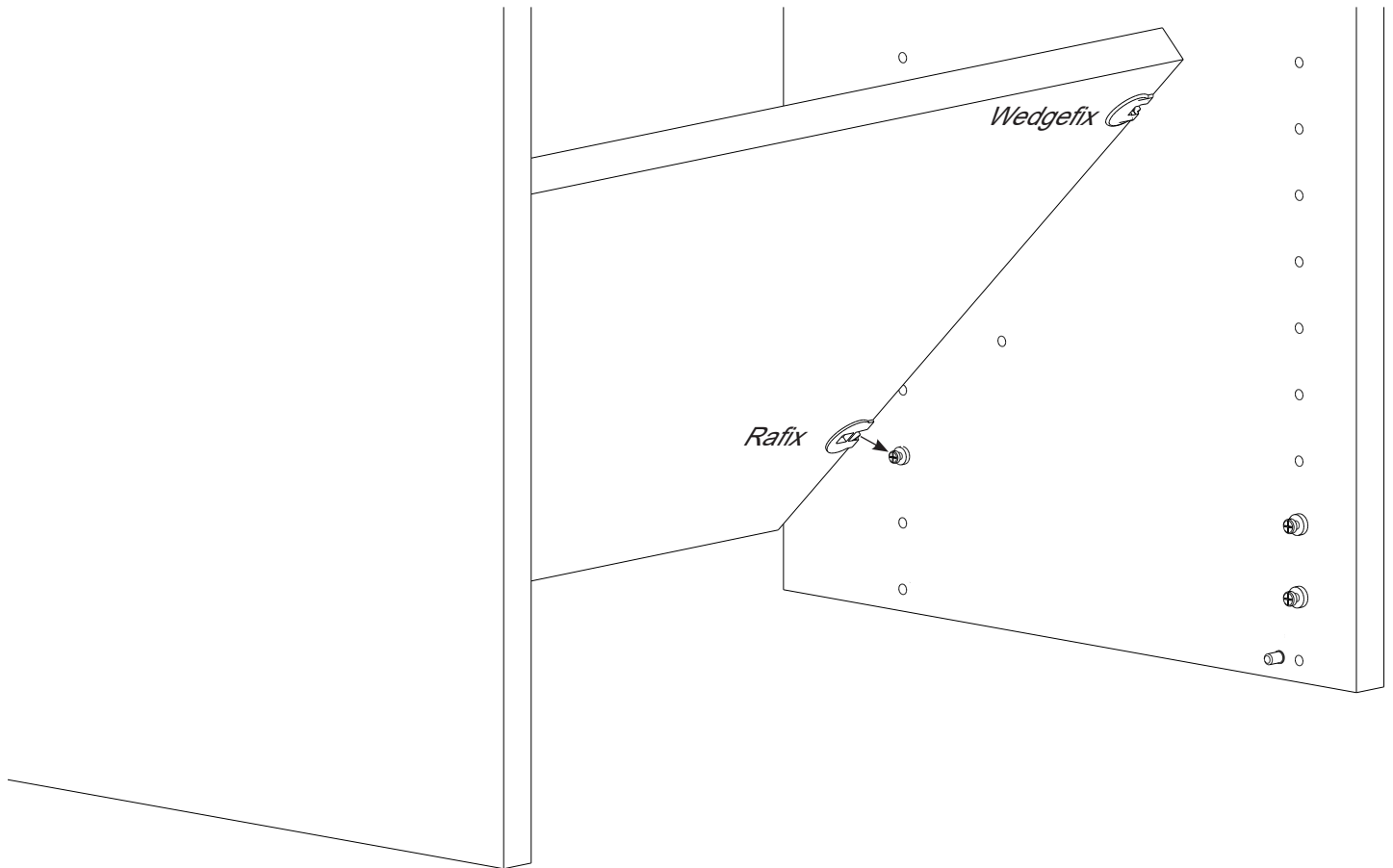
Using a Philips screw driver, tighten and secure all 4 rafixes





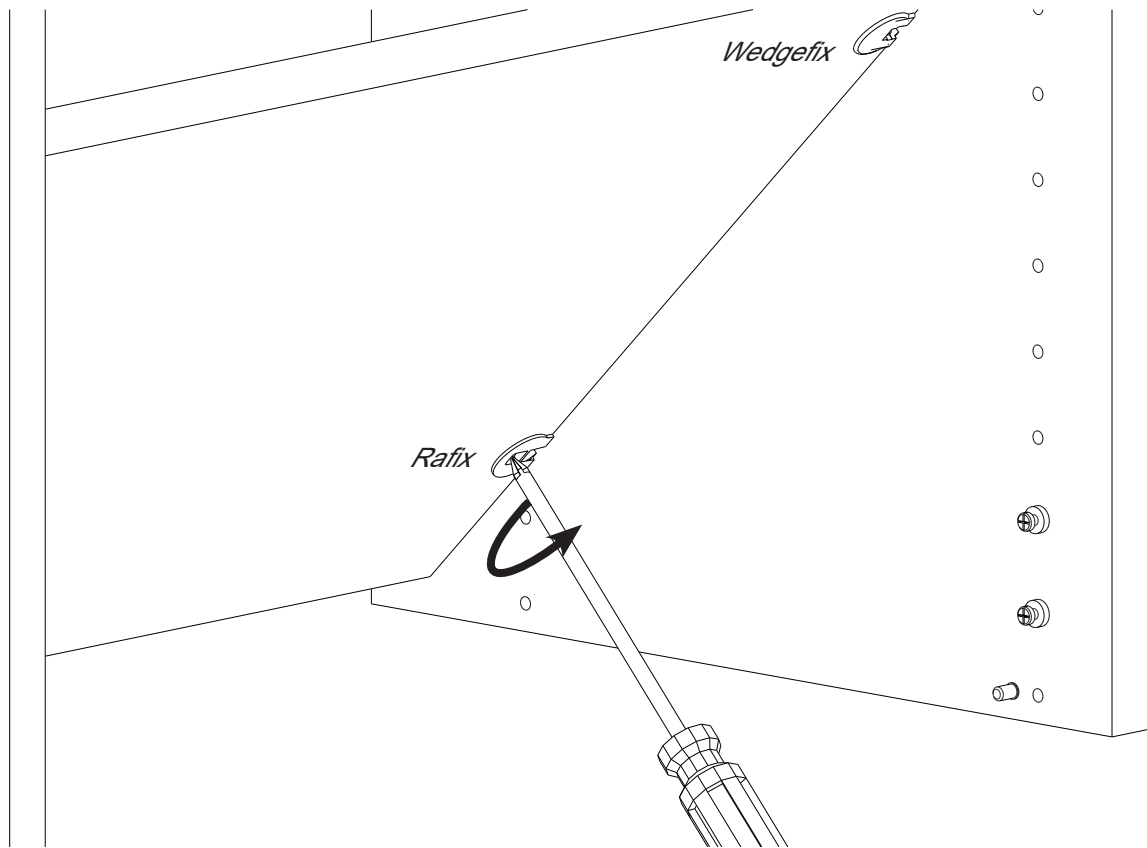
### Step 10

Insert the bottom fixed shelf (with 2 rafixes and 2 wedgexes from step 2) and insert the back 2 rafixes into the screw dowels as shown below.



### Step 11

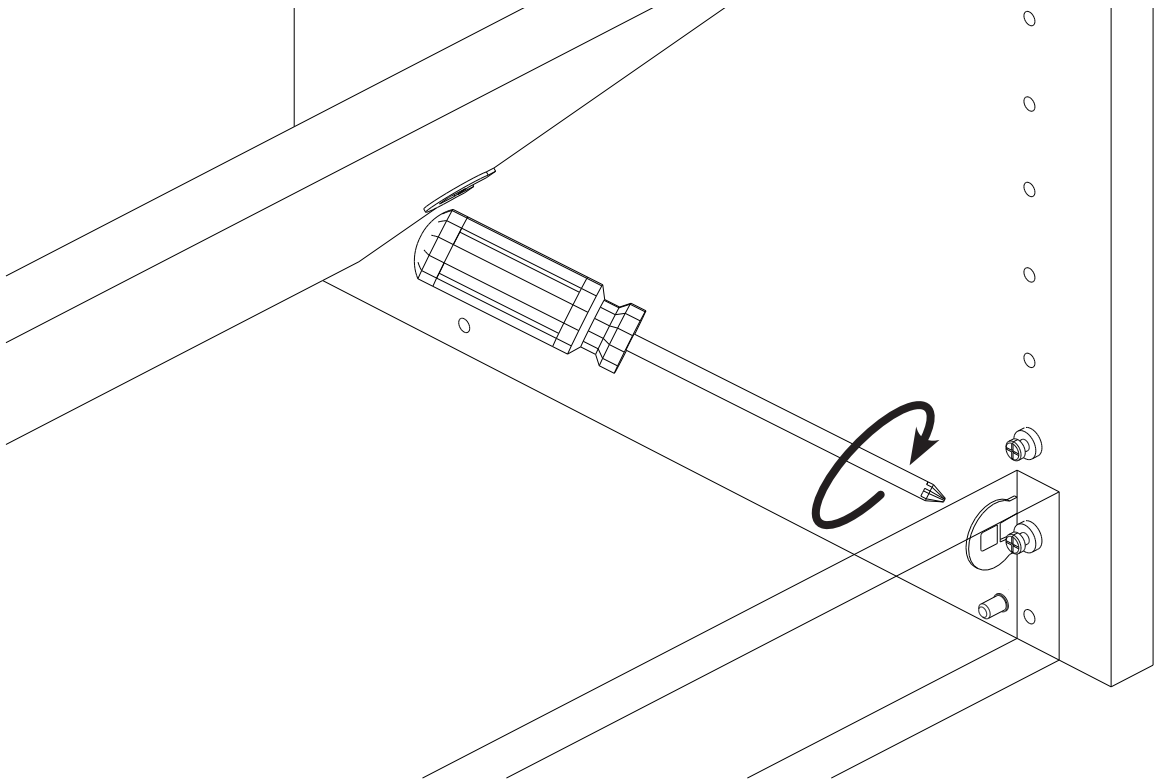
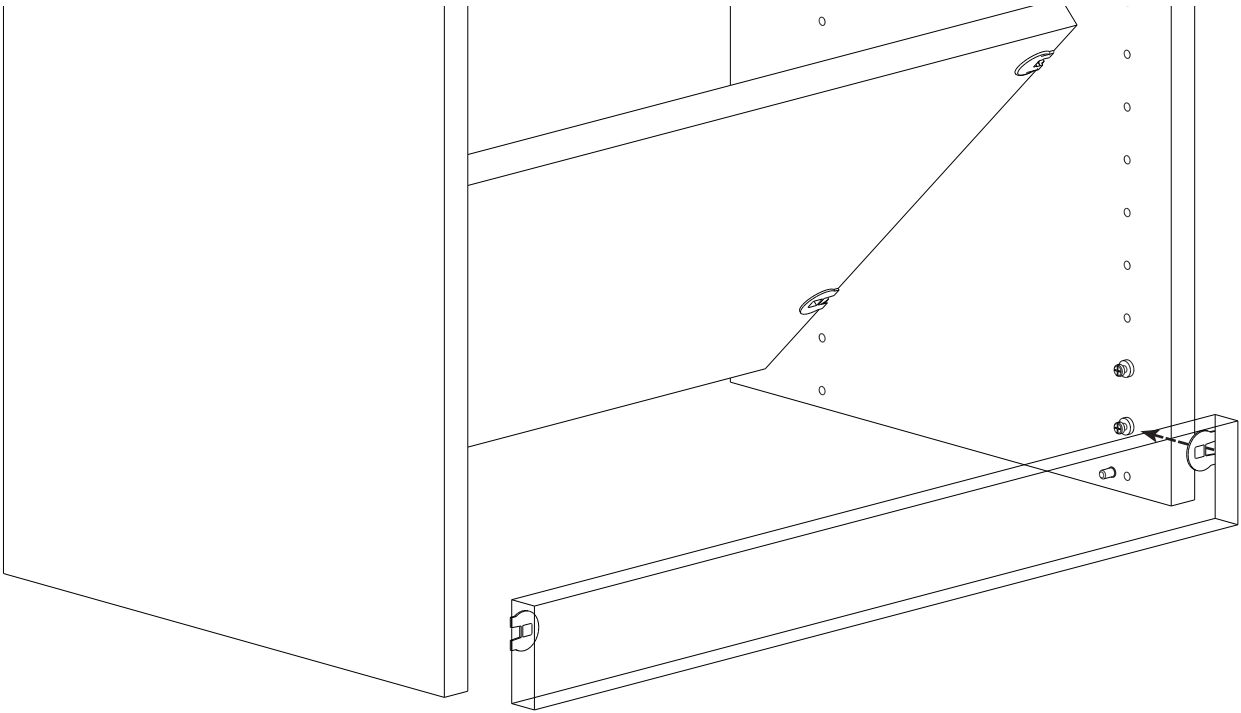
Hold the shelf at an angle and tighten and secure the rafixes on either side





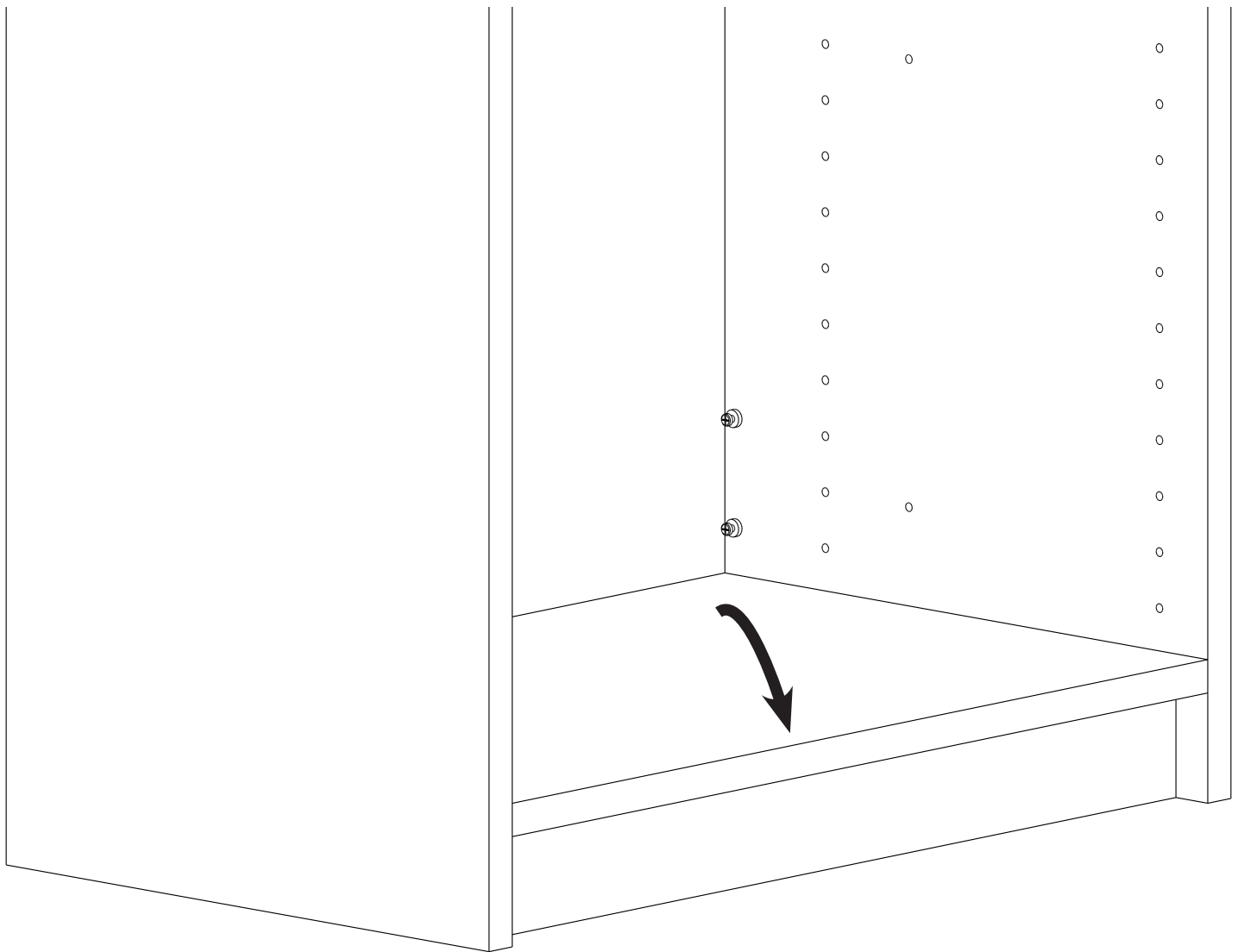
### Step 12

Insert the toe kick by securing then tightening the rafixes.



### Step 13

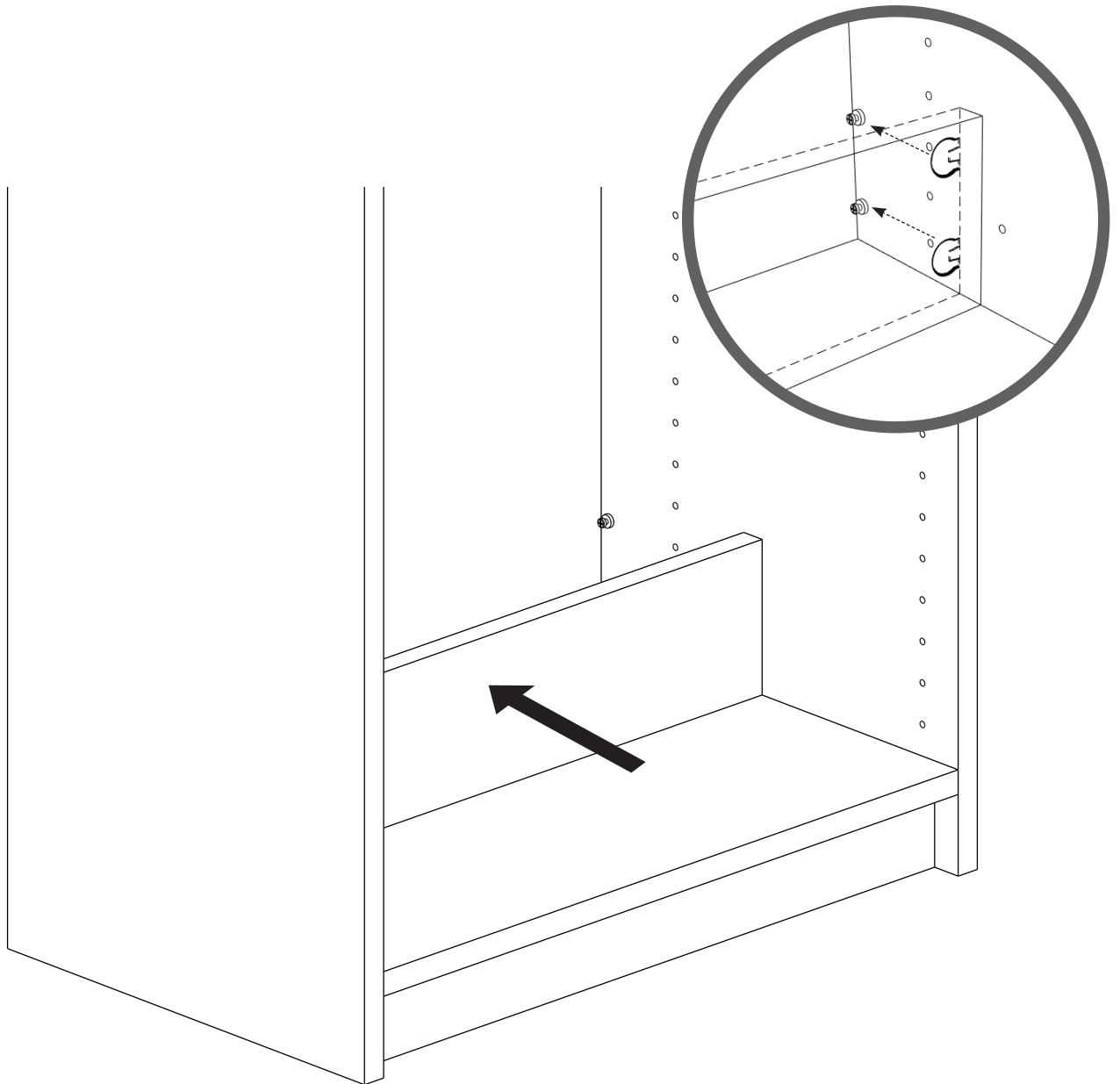
Swing down the shelf to rest on the front 2 screw dowels.





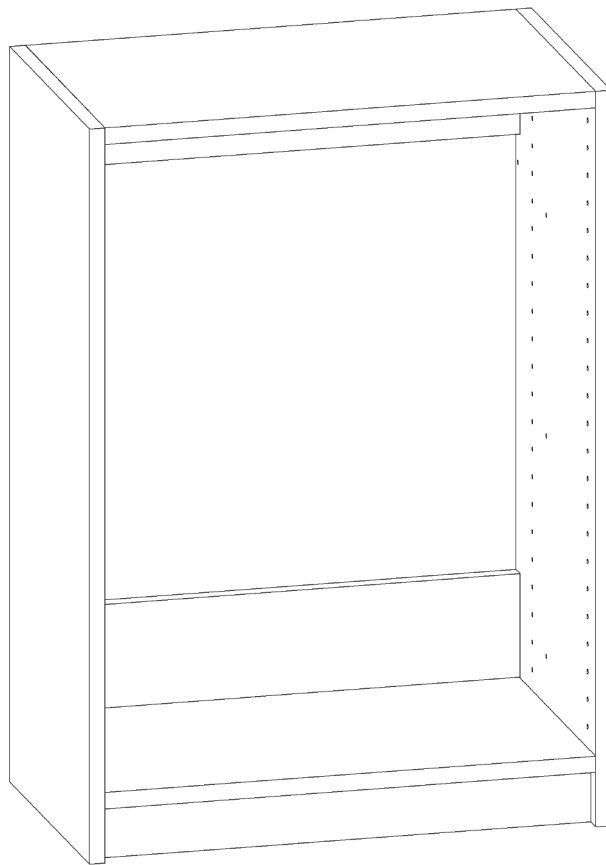
### Step 14

Connect Bottom cleat by simply clicking the wedgfixes into the screw dowels on each side.



**Step 15**

You have now completed the first short tower unit! Simply repeat steps 8-15 for the remaining units.

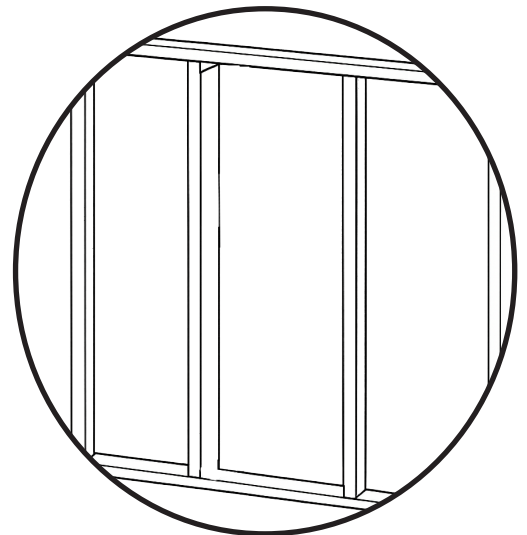
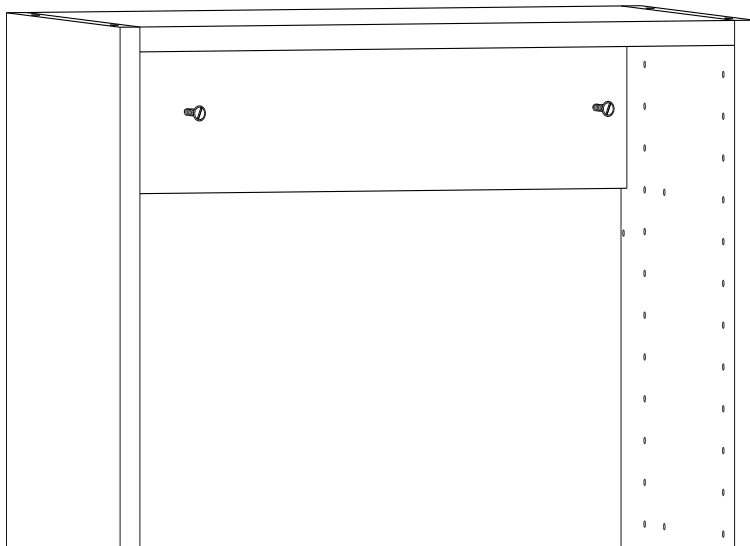
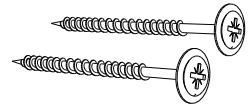




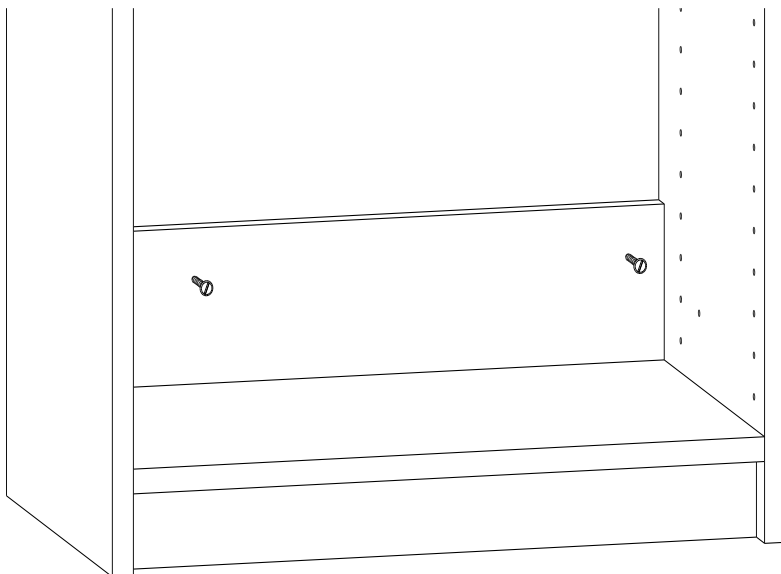
### Step 16

Using a stud finder, search for the studs in the wall and drill the screws through the top and bottom cleats in each unit into the studs. If there is only one stud, drill two screws into each cleat, one on top of the other.

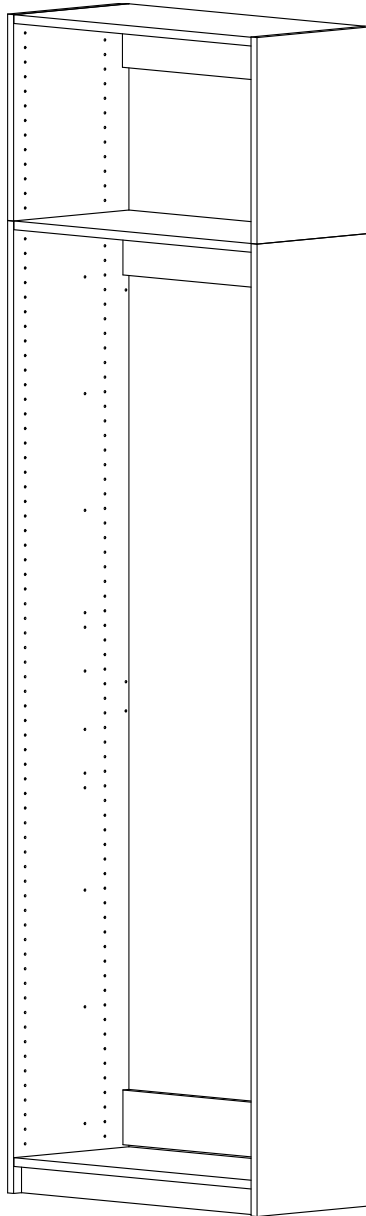
Anchor Screws  
x4



Use Stud Finder on wall to locate studs for Anchor Screws



## Alto Extension Unit



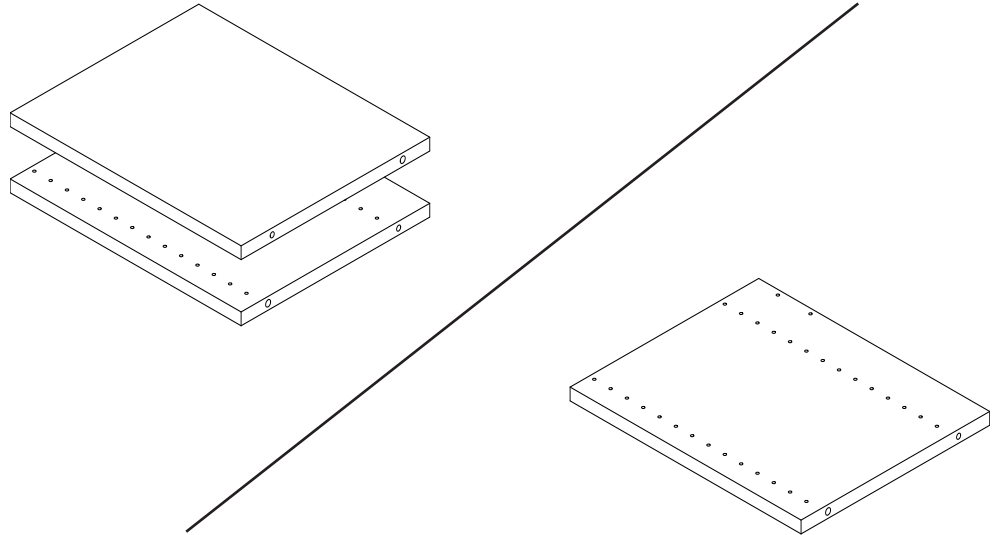
Alto Extension Panels require a fixed shelf pack to assemble. It is separate from the extension pack. Please set aside the 1 shelf and 1 cleat from a Fixed Shelf pack plus required hardware to install the extension panels.



### Boxes Needed

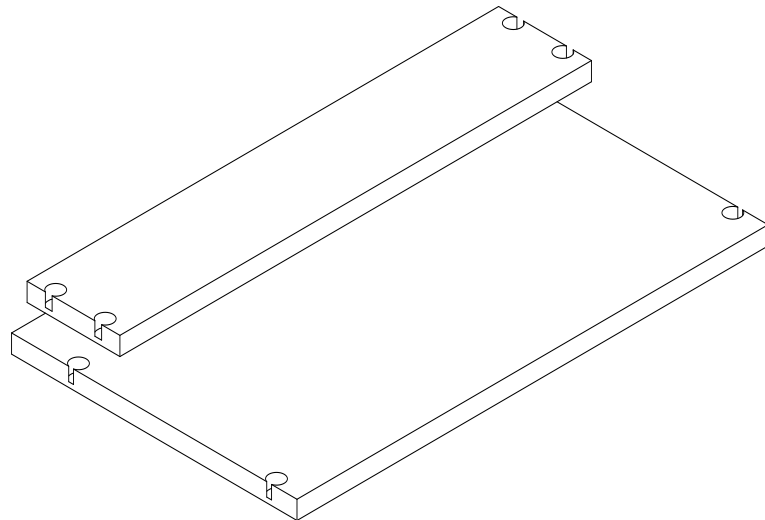
ALT-ESP/ECP

*Side Panels/Center Panels*



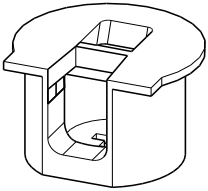
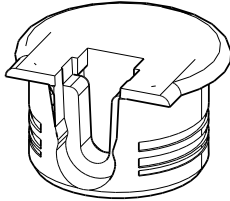
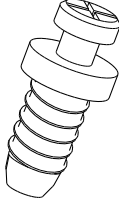
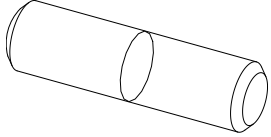
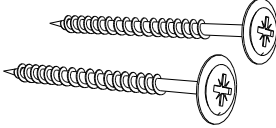
ALT-EFS

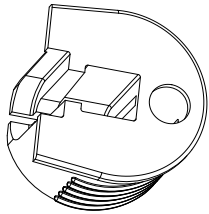
*Extension Fixed Shelf  
and Cleat*



1 fixed shelf and 1 cleat (from ALT-FS) + hardware is needed for each space created by 2 extension side/center panels.

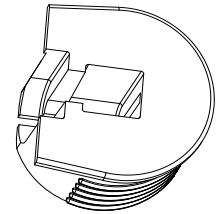
Hardware Packs Needed  
ALT-HRDP-EFS

|   |   |   |  |
|---|---|---|--|
| <p><b>Rafix<br/>x4</b></p>  <p>has metal locking mechanism</p> | <p><b>Wedgex<br/>x4</b></p>  <p>solid white piece-no locking mechanism</p> | <p><b>Screw Dowel<br/>x8</b></p>  | <p><b>Dowel<br/>x8</b></p>  |
| <p><b>Anchor Screws<br/>x2</b></p>                            |   |   |  |


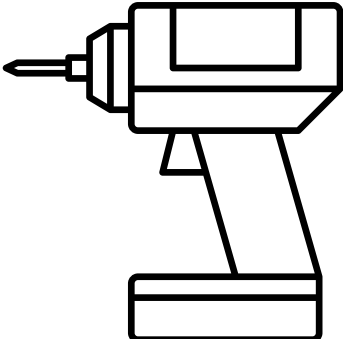
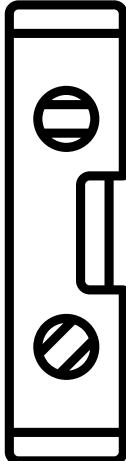

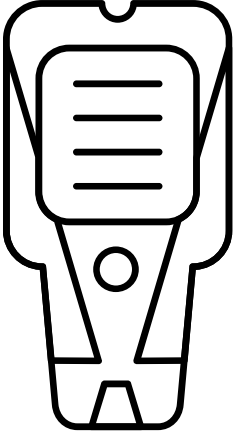


**Please Note: Rafix/Wedgex**

Rafix hardware has an additional hole at the top of the hardware to allow a screwdriver to secure the clip once inserted to screw dowel. Wedgex hardware does NOT have this additional hole.



**Tools needed**

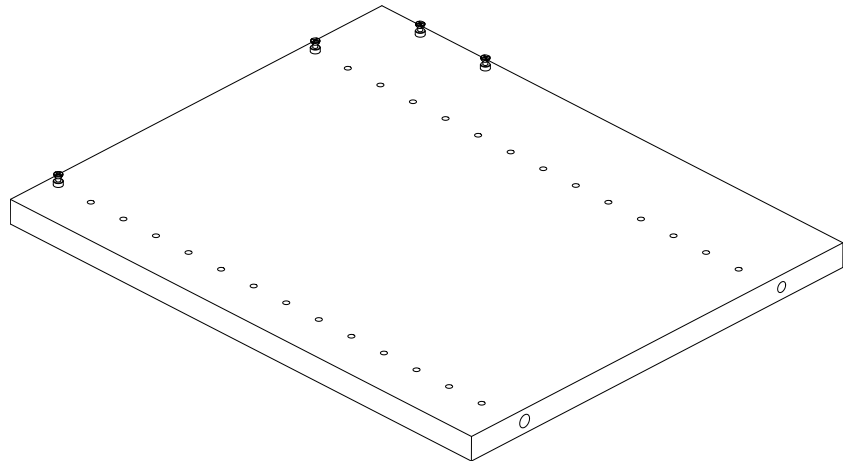
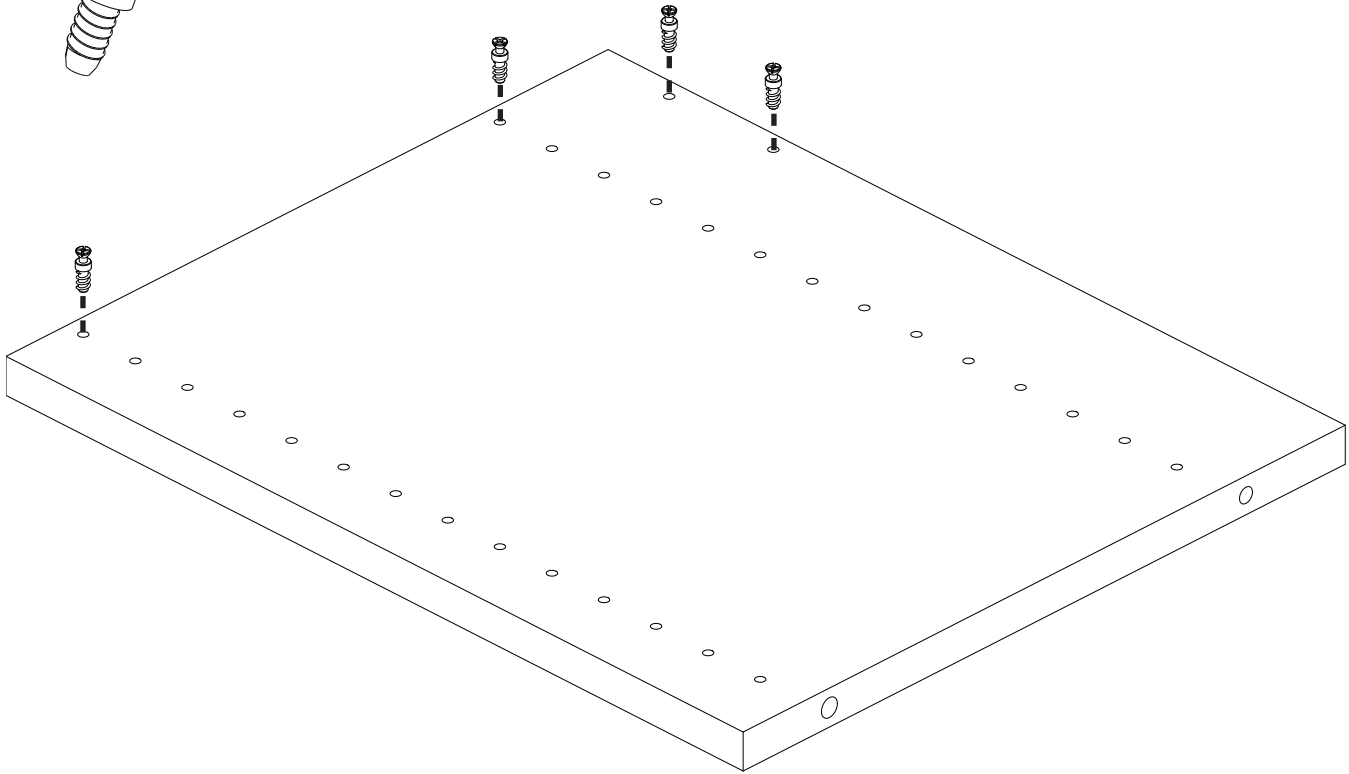
|   |  |  |   |  |
|---|--|--|---|--|
| <p>Rubber Mallet</p>  | <p>Drill</p>  | <p>Level</p>  | <p>Philips Screw Driver</p>  | <p>Stud Finder</p>  |
|---|--|--|---|--|



### Step 1

Take 4 screw dowels and install on **each** side/center panel as shown below.

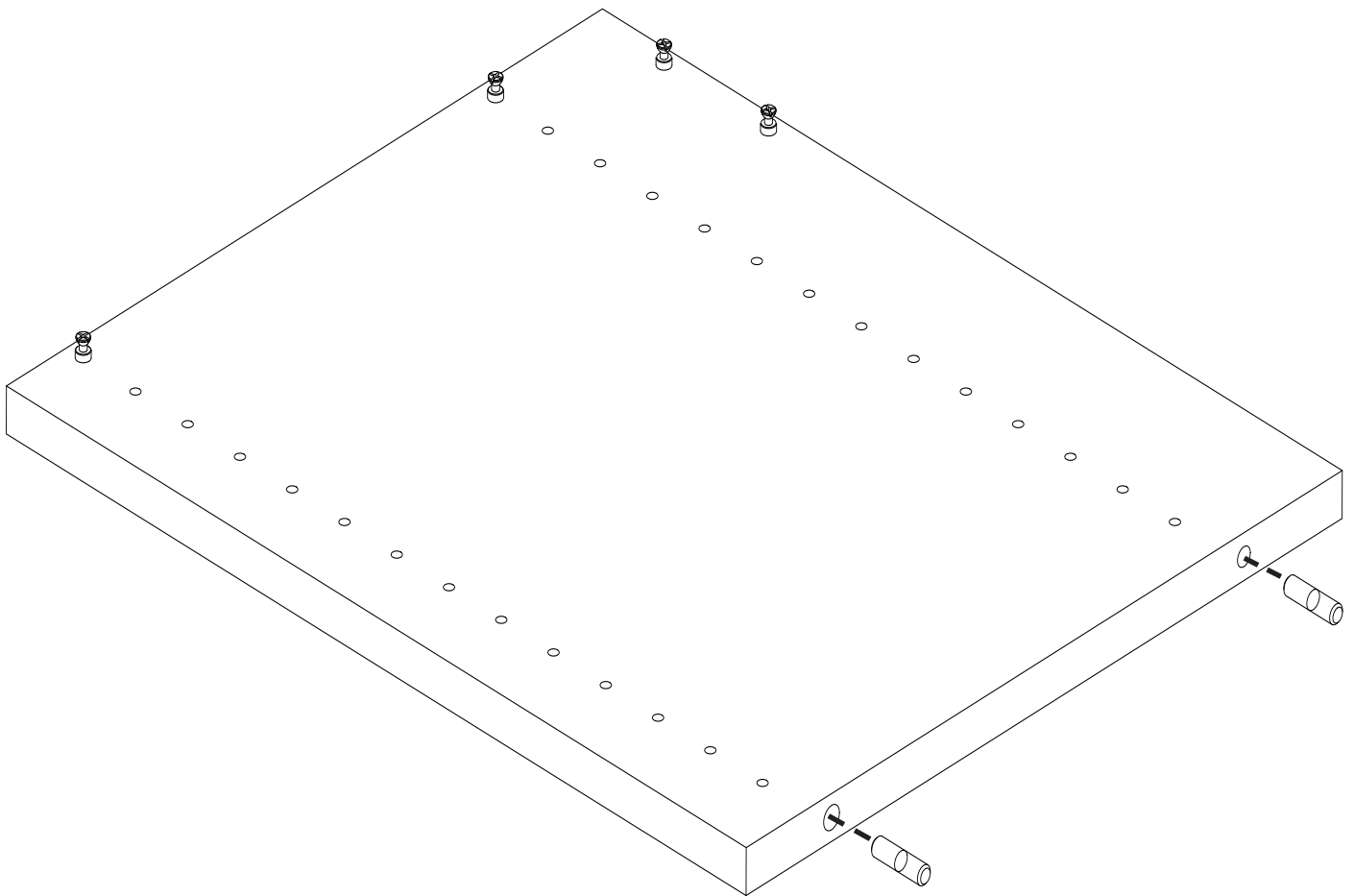
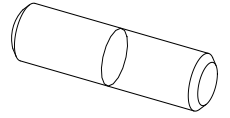
#### Screw Dowel x4



## Step 2

Insert dowels into bottom of side/center panels.

**Dowel x2**

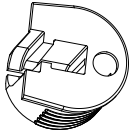




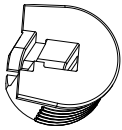
### Step 3

Insert Rafx hardware into fixed shelf. Insert Wedgefix hardware into cleat.

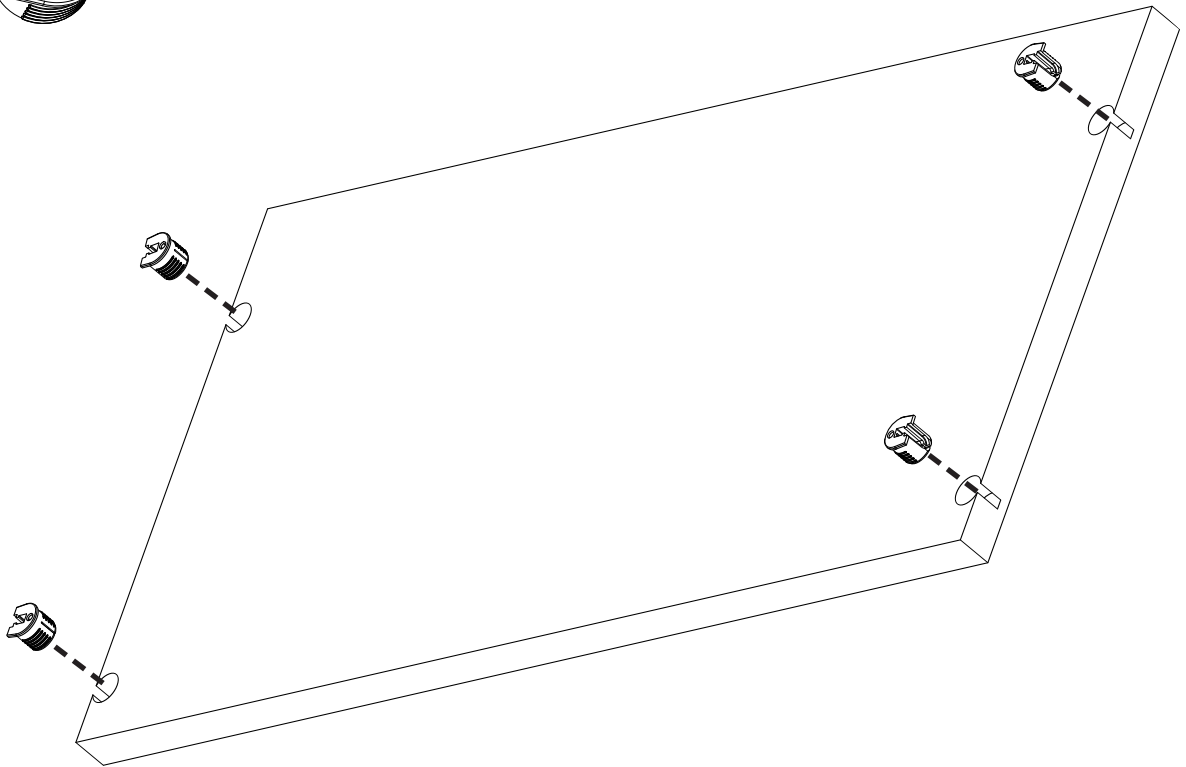
**rafix**  
**x4**



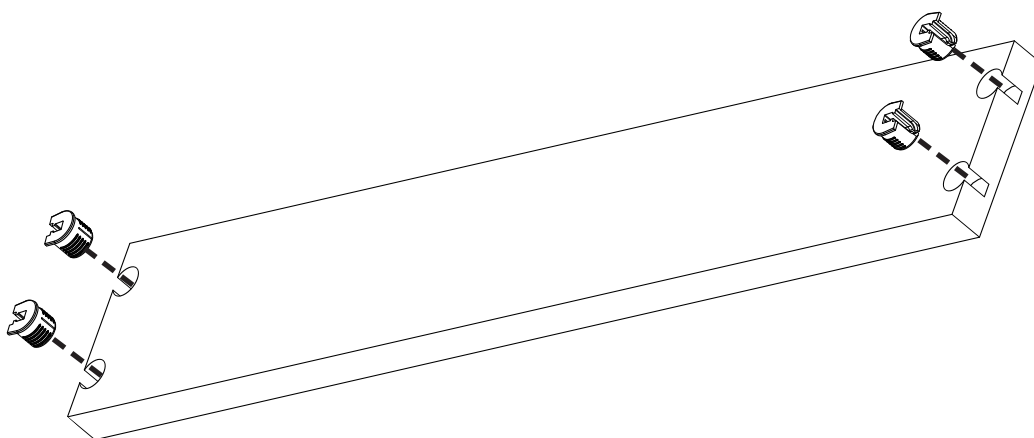
**wedgefix**  
**x4**



**Reminder: Rafx has locking mechanism.  
Wedgefix is solid plastic**

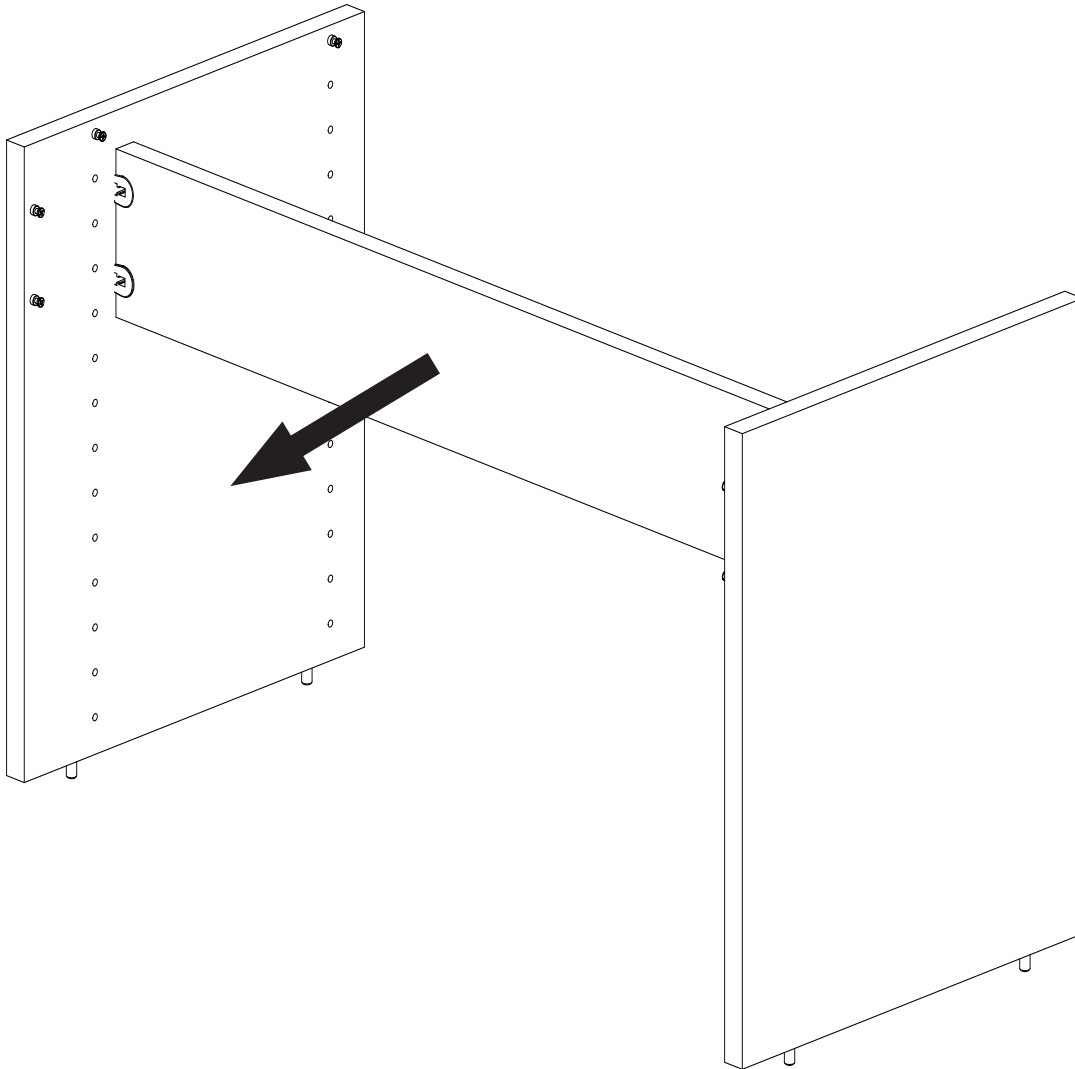


Attach wedgefixes to cleat



**Step 4**

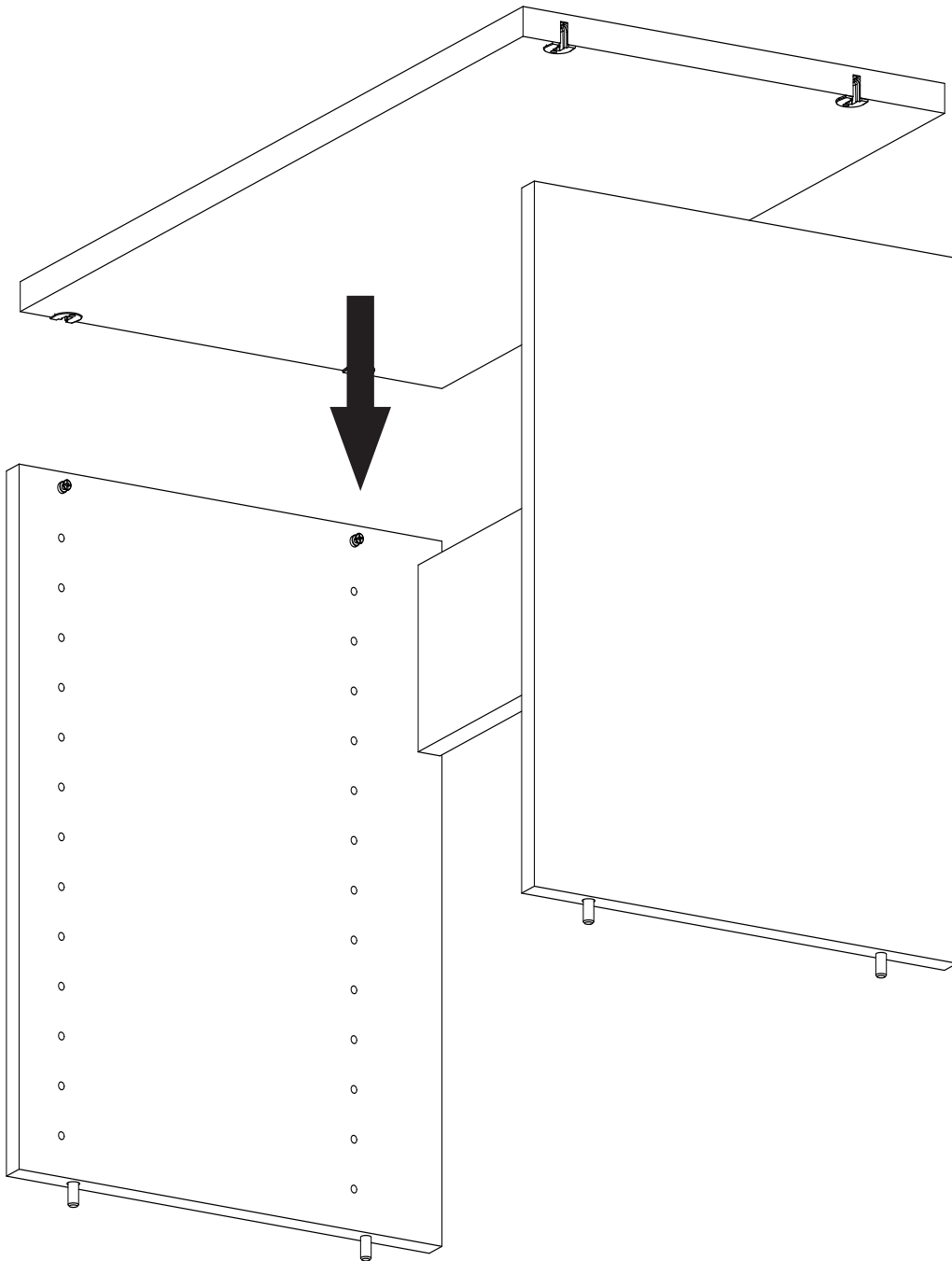
Insert cleat with Wedgefix hardware into the two Screw Dowels along the back each side/center panel.





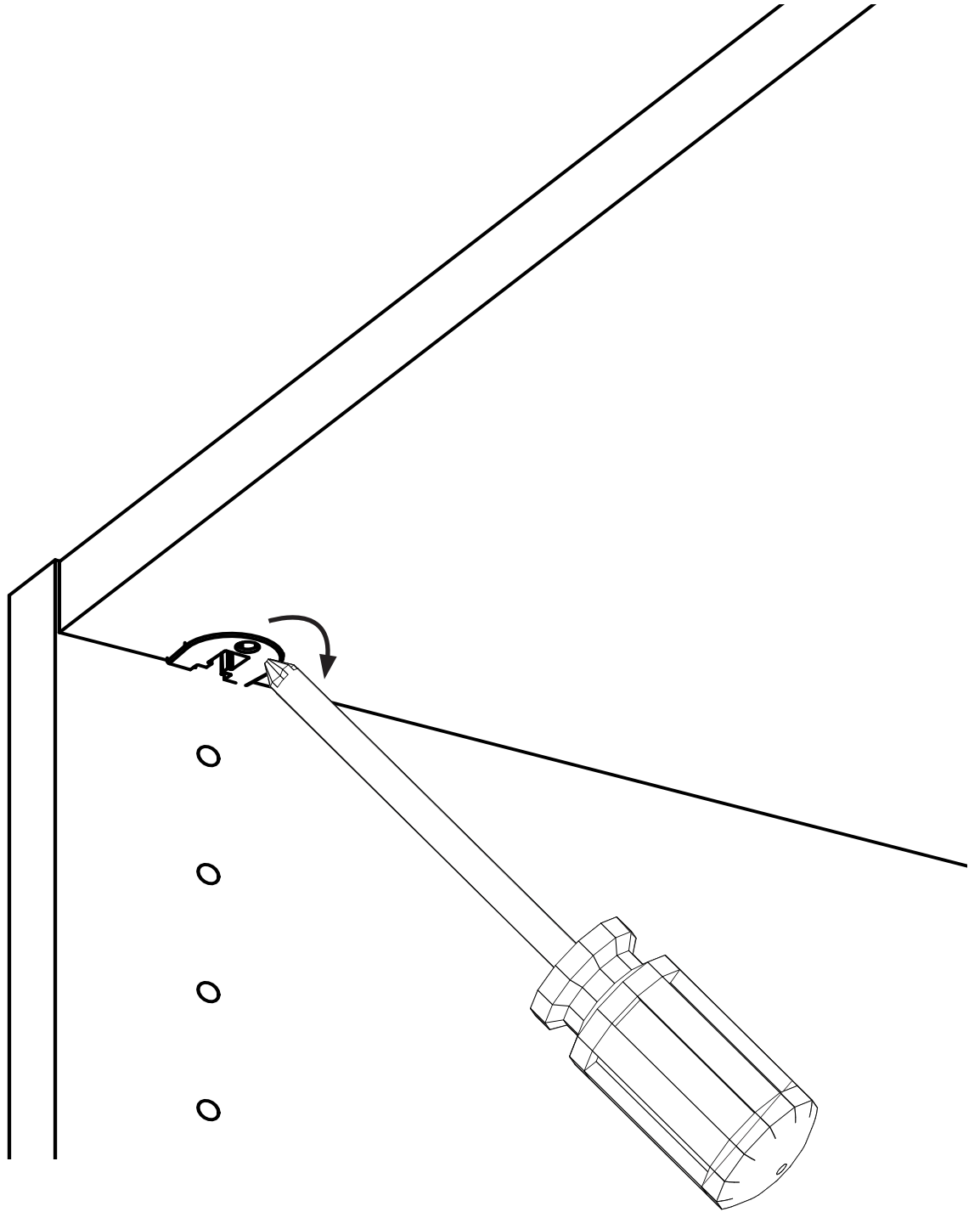
### Step 5

Insert fixed shelf with Rafix hardware into the Screw Dowels at the top of each side/center panel.



## Step 6

Tighten Rafix hardware to lock fixed shelf into place.

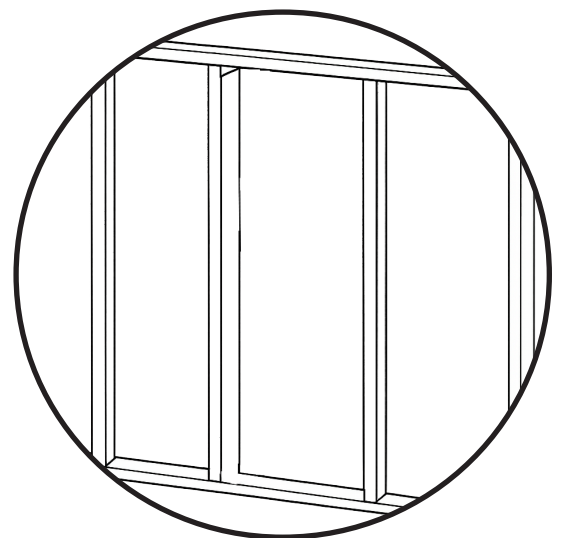
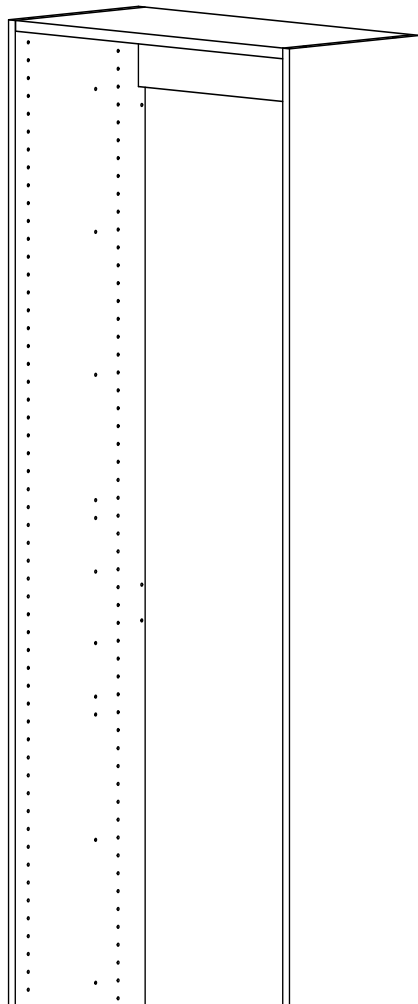
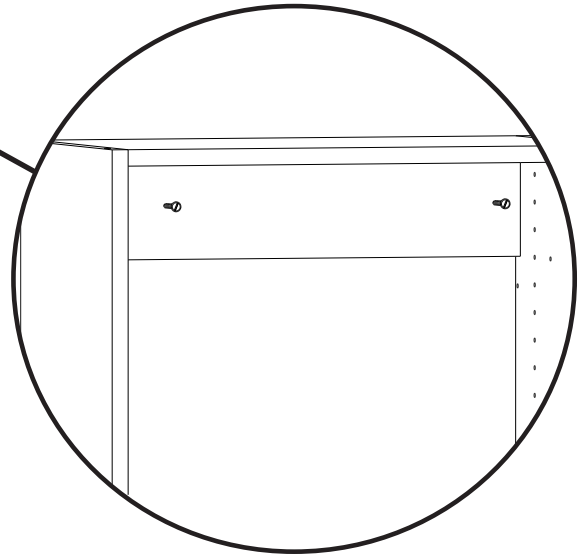
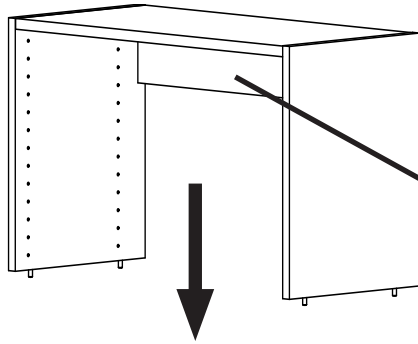
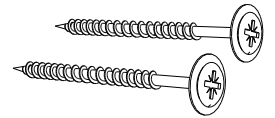




### Step 7

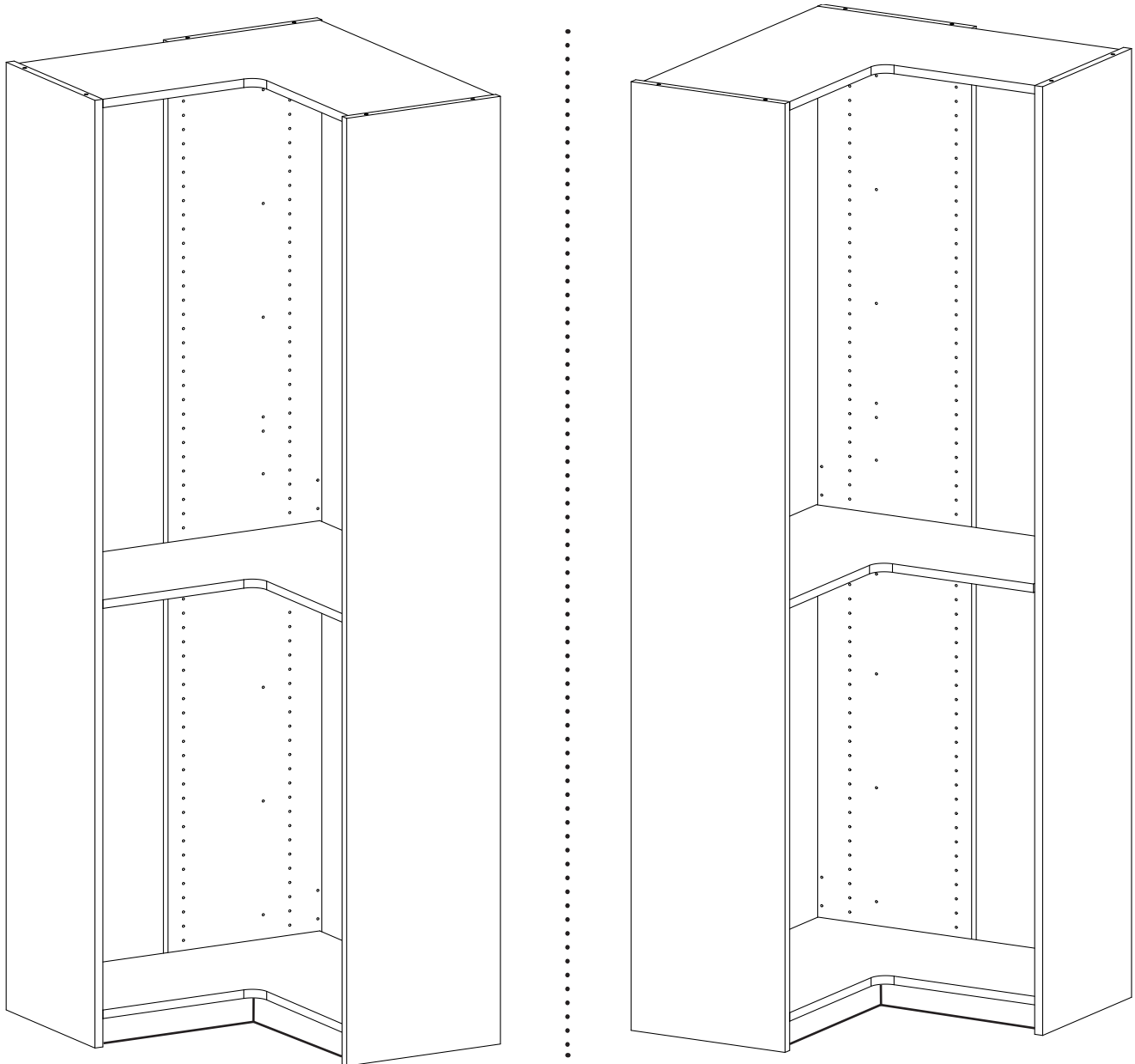
Now take completed extension panel set up and insert into dowel holes at the top of any assembled Alto Tower. If possible, use additional Anchor Screws from hardware pack to secure extension into stud using stud finder.

**Anchor Screws  
x2**



**Use Stud Finder on wall to locate studs for Anchor Screws**

Alto Corner Unit



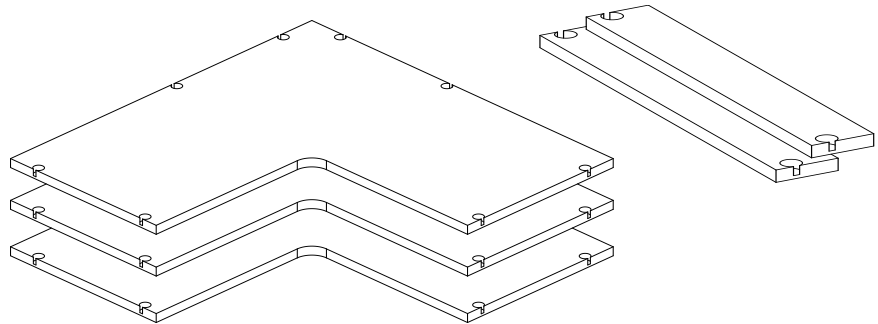
The Alto Corner unit utilizes 3 Alto panels in its construction. The position of the supporting panel can be on either wall as seen below. It is also **highly** recommended that the corner unit be the starting point of your Alto closet line construction.



### Boxes Needed

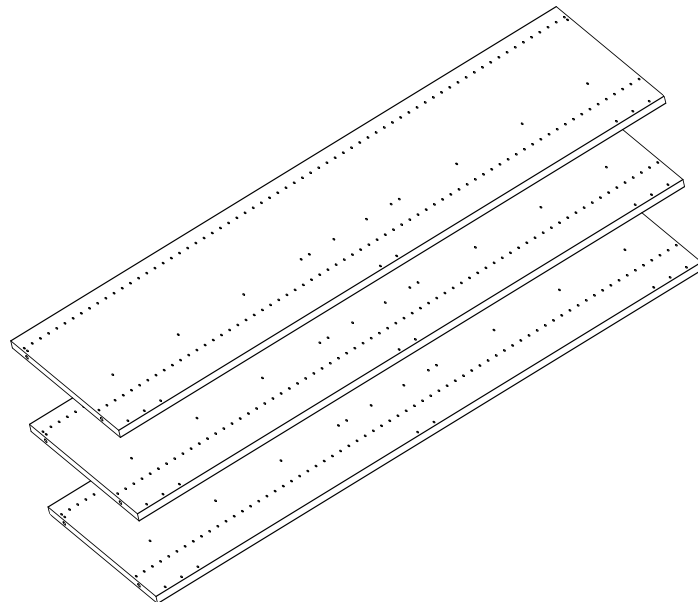
ALT-CORFS  
ALT-CORTK

*Corner Shelf  
and  
Toekicks*



ALT-SP/CP

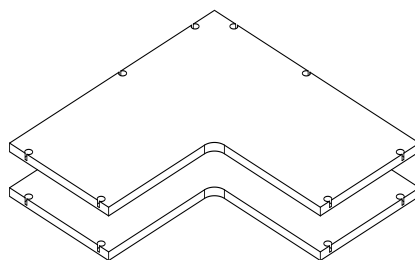
*Corner shelves require 3 panels. It is recommended that the corner shelf be built first and lead into all other Alto systems. The supporting back panel will always be a Center Panel.*



*Additional  
Corner Shelves*

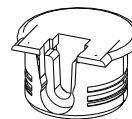


ALT-CORAS



ALT-HRDP-CORAS

Wedgefix  
x12

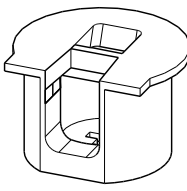
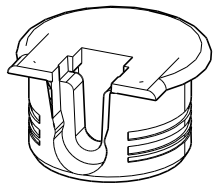
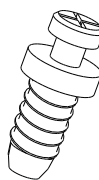
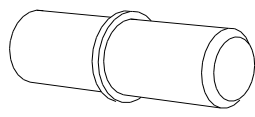
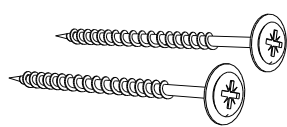

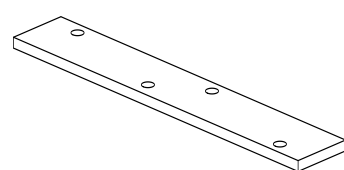


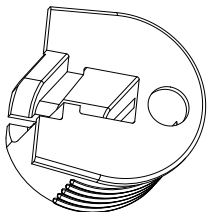
Screw Dowel  
x12





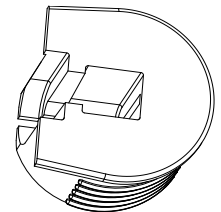
Hardware Packs Needed  
 ALT-HRDP-CORFS  
 ALT-HRDP-CORTK

|   |   |  |  |
|---|---|--|--|
| <p><b>Rafix</b><br/>x14</p>  <p>has metal locking mechanism inside</p> | <p><b>Wedgex</b><br/>x6</p>  <p>solid white piece-no locking mechanism</p> | <p><b>Screw Dowel</b><br/>x20</p>  | <p><b>Shelf Pin</b><br/>x2</p>  |
| <p><b>Anchor Screws</b> x4</p>   |   | <p><b>6X5/8 Screw</b><br/>x4</p>   | <p><b>Plate</b></p>             |



**Please Note: Rafix/Wedgex**

Rafix hardware has an additional hole at the top of the hardware to allow a screwdriver to secure the clip once inserted to screw dowel. Wedgex hardware does NOT have this additional hole.

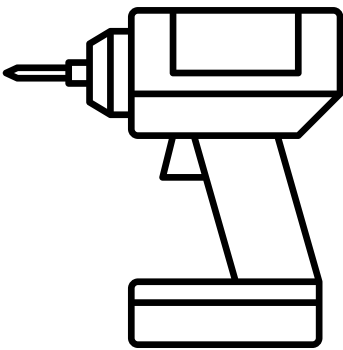


**Tools needed**

Rubber Mallet



Drill



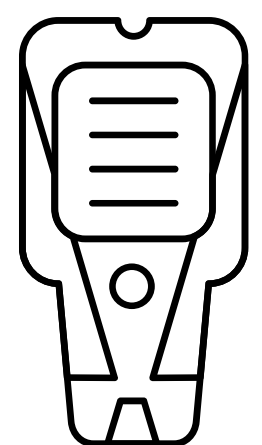
Level



Philips Screw Driver



Stud Finder



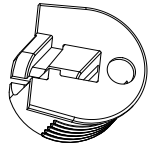
**2 person assembly suggested**



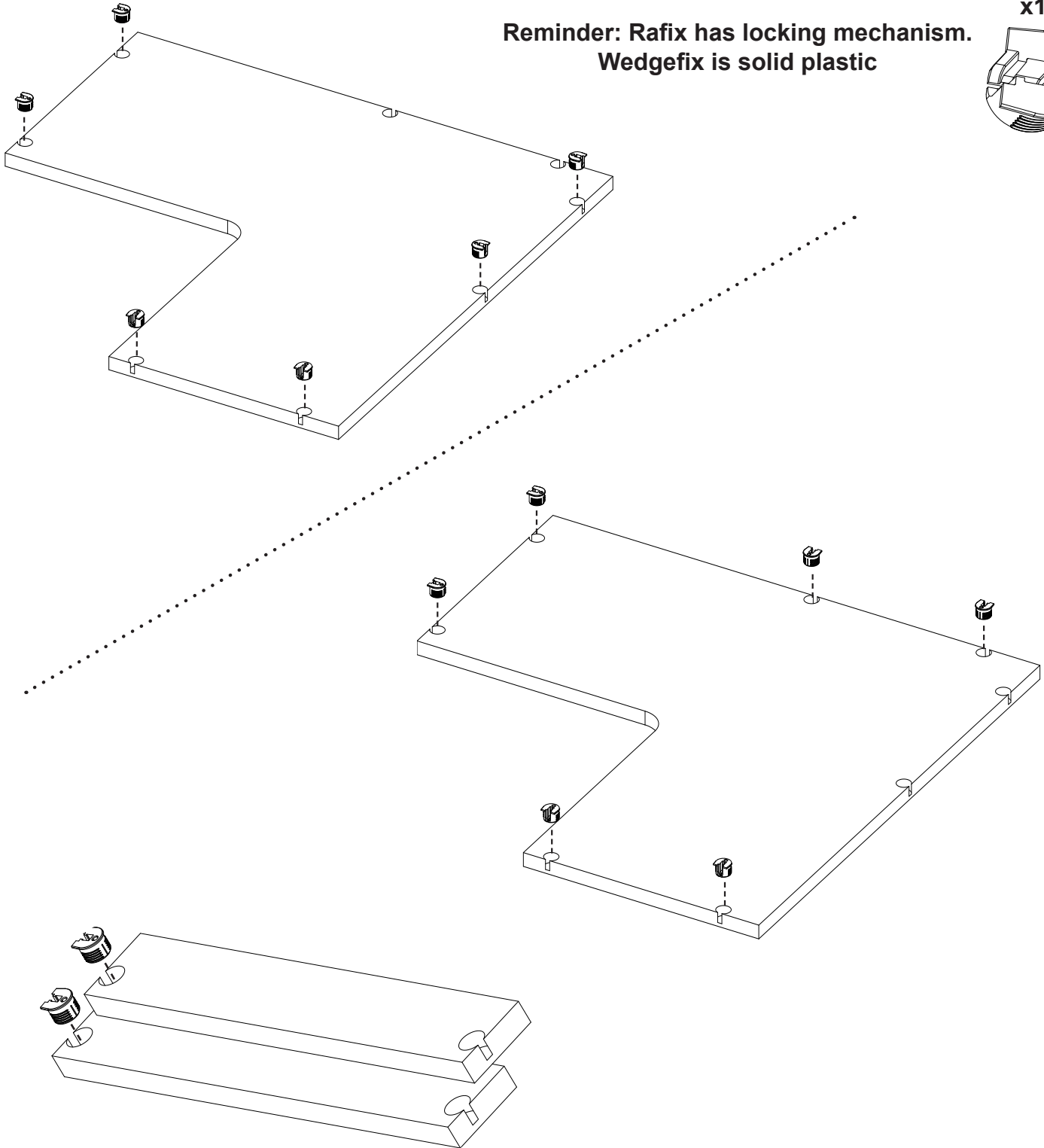
### Step 1

Take two corner shelves from box ALT-CORFS and insert rafix hardware. Insert hardware only where corner shelf will be attached to a supporting panel (2 empty slots on each shelf). Insert one rafix into one side of each toekick from box ALT-CORTK.

Rafix  
x14



**Reminder: Rafix has locking mechanism.  
Wedgex is solid plastic**

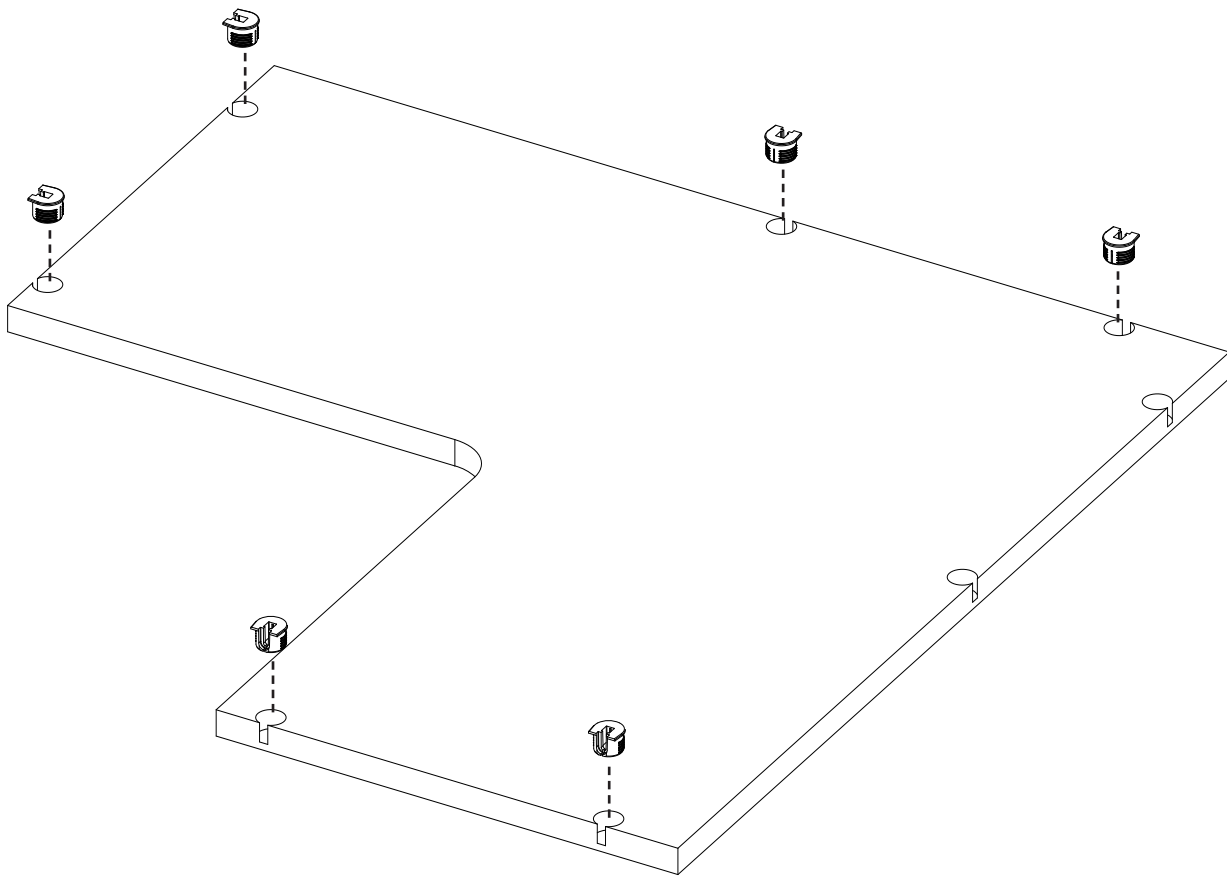
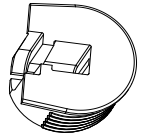


## Step 2

Take third corner shelf and insert Wedgefix hardware in matching spots.

Wedgefix  
x6

**Reminder: Rafix has locking mechanism.  
Wedgefix is solid plastic**



This will be used as the bottom fixed shelf

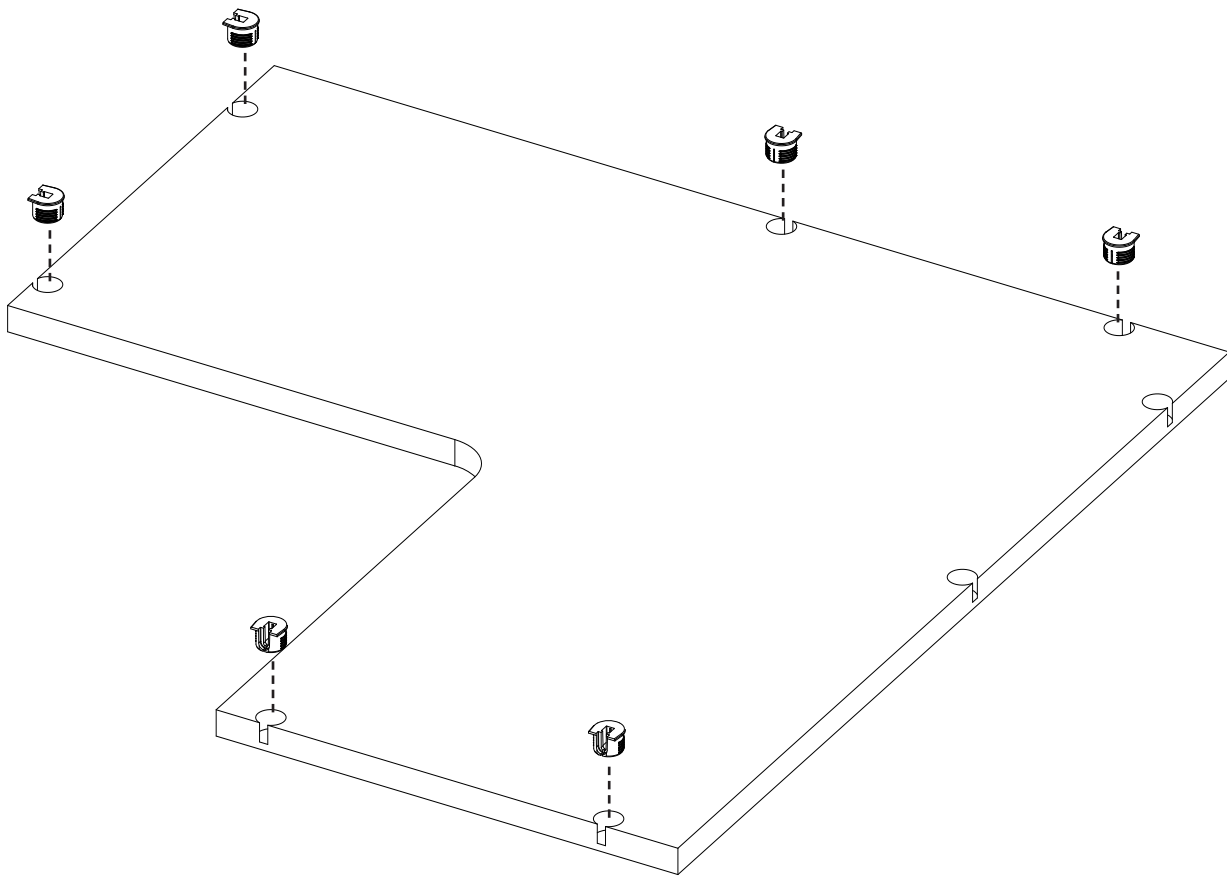
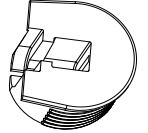


### Step 2b

If applicable, take any extra corner shelves from box ALT-CORAS and insert Wedgefix hardware from hardware pack ALT-HRDP-CORAS.

Wedgefix  
x6

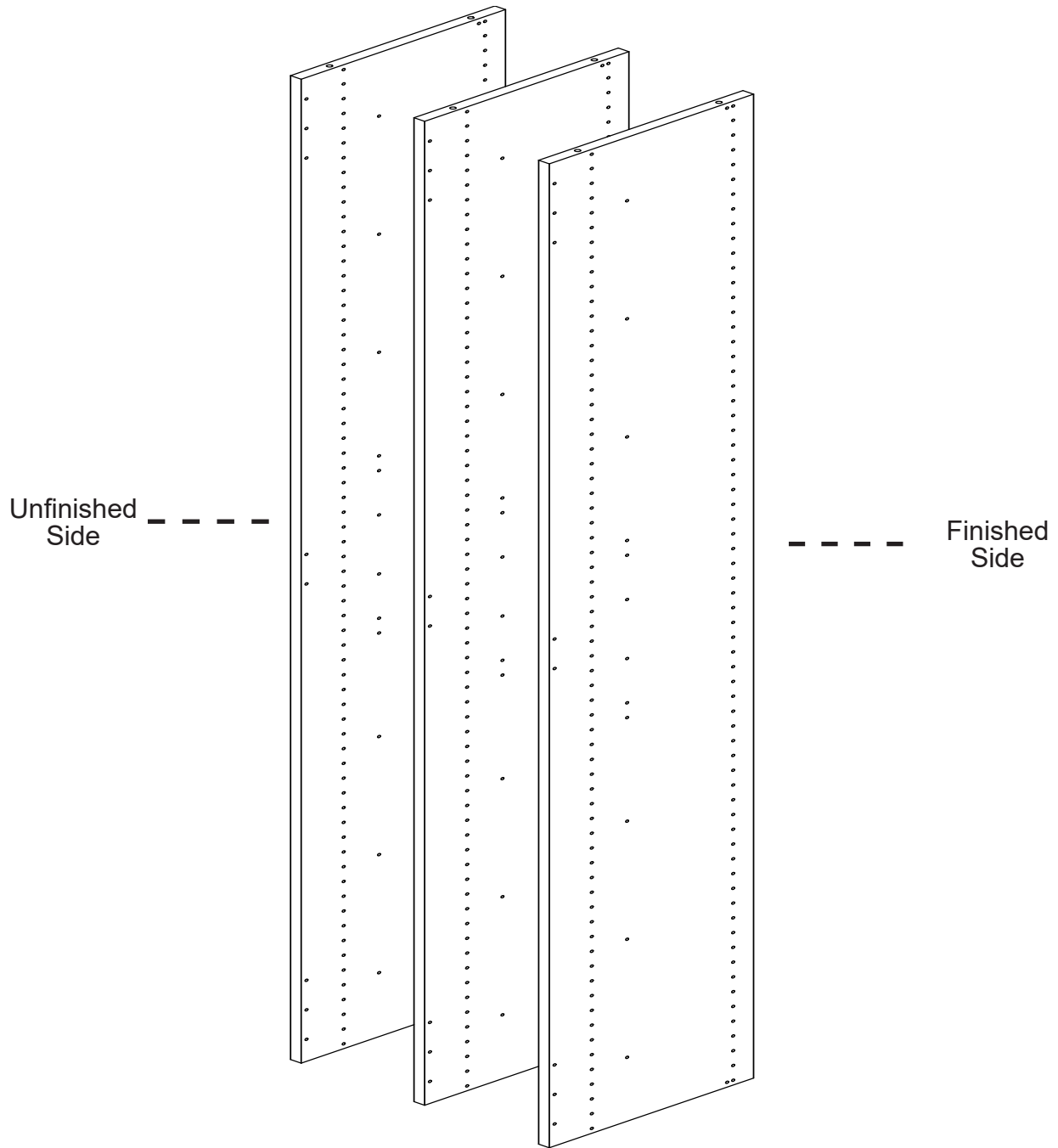
Reminder: Rafx has locking mechanism.  
Wedgefix is solid plastic



This will be used as adjustable shelf

### Step 3

Corner shelf unit requires three panels. Ensure you have all three located and ready for hardware setup. The unfinished ends of each panel should always be against the wall for all three panels.



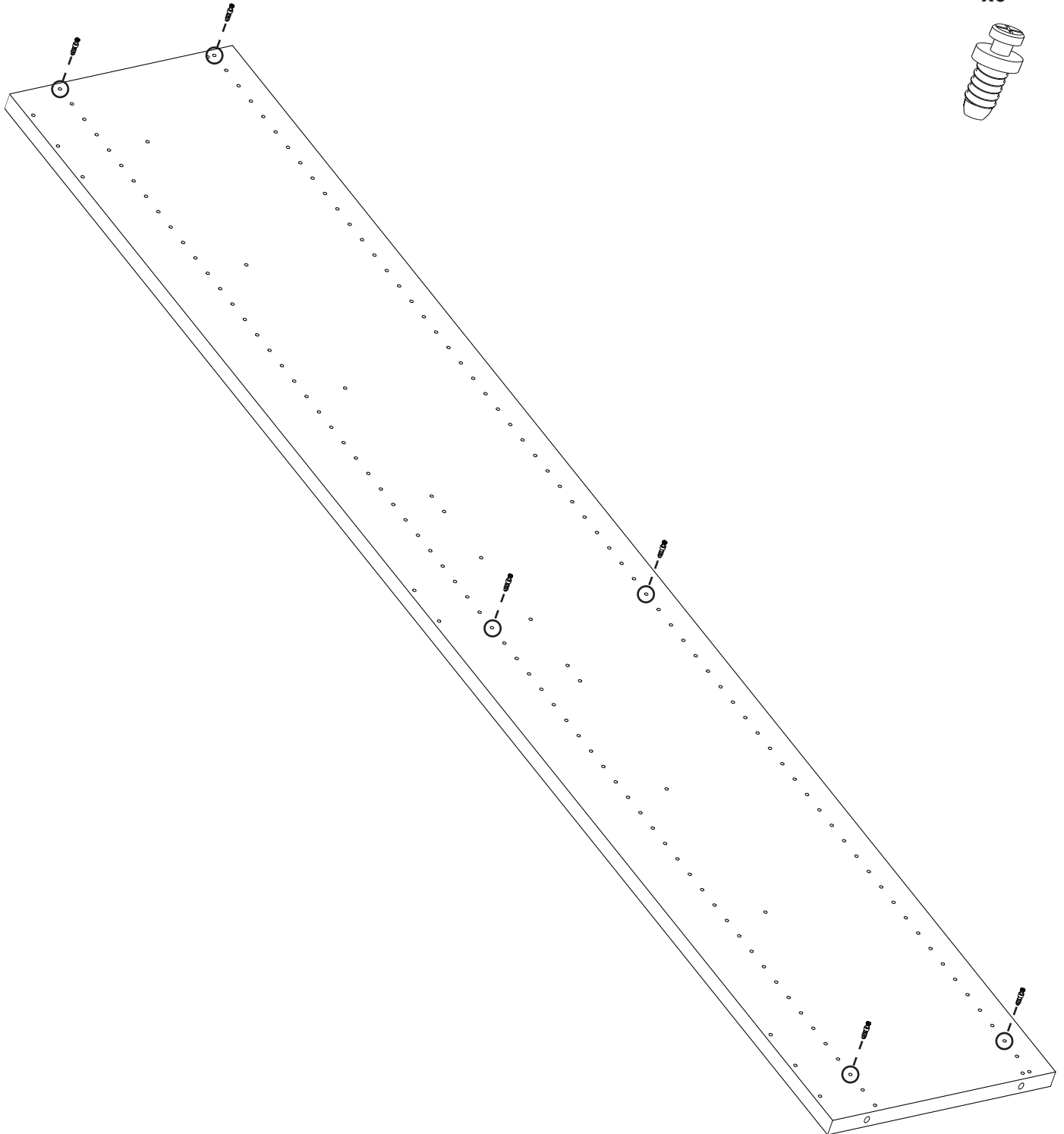
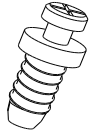
**Alto Side Panels are all symmetrical from top to bottom. Flip panel from top to bottom if needed to ensure unfinished side is against wall and not visible.**



### Step 4

Insert and drill Rafix Screws into circled holes below on each panel. Refer to next page for mirrored panel.

Rafix Screw  
x6

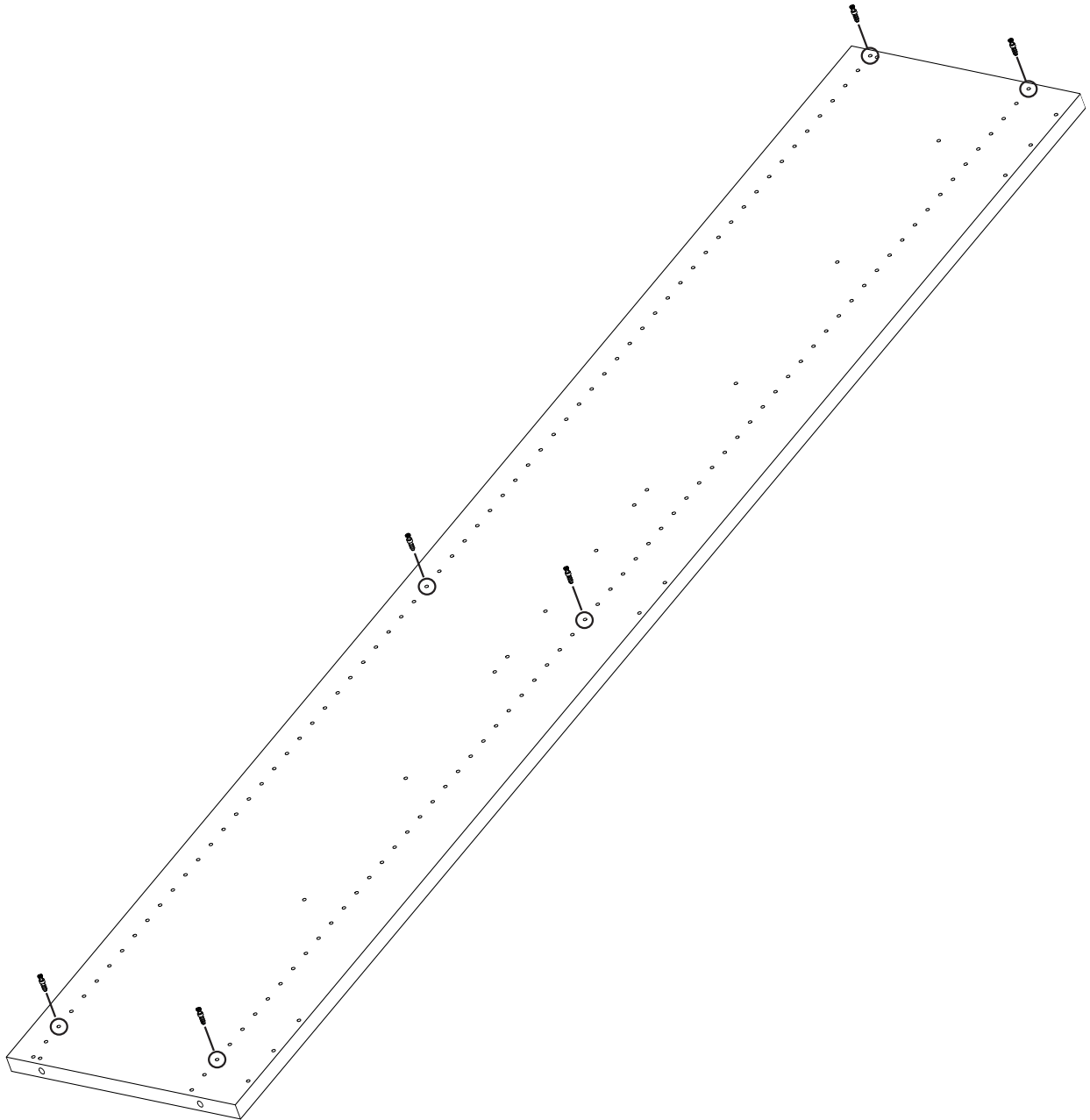


### Step 4 (cont)

Insert and drill rafix screws into circle holes below on each panel. Refer to previous page for mirrored panel.

Rafix Screw

x6



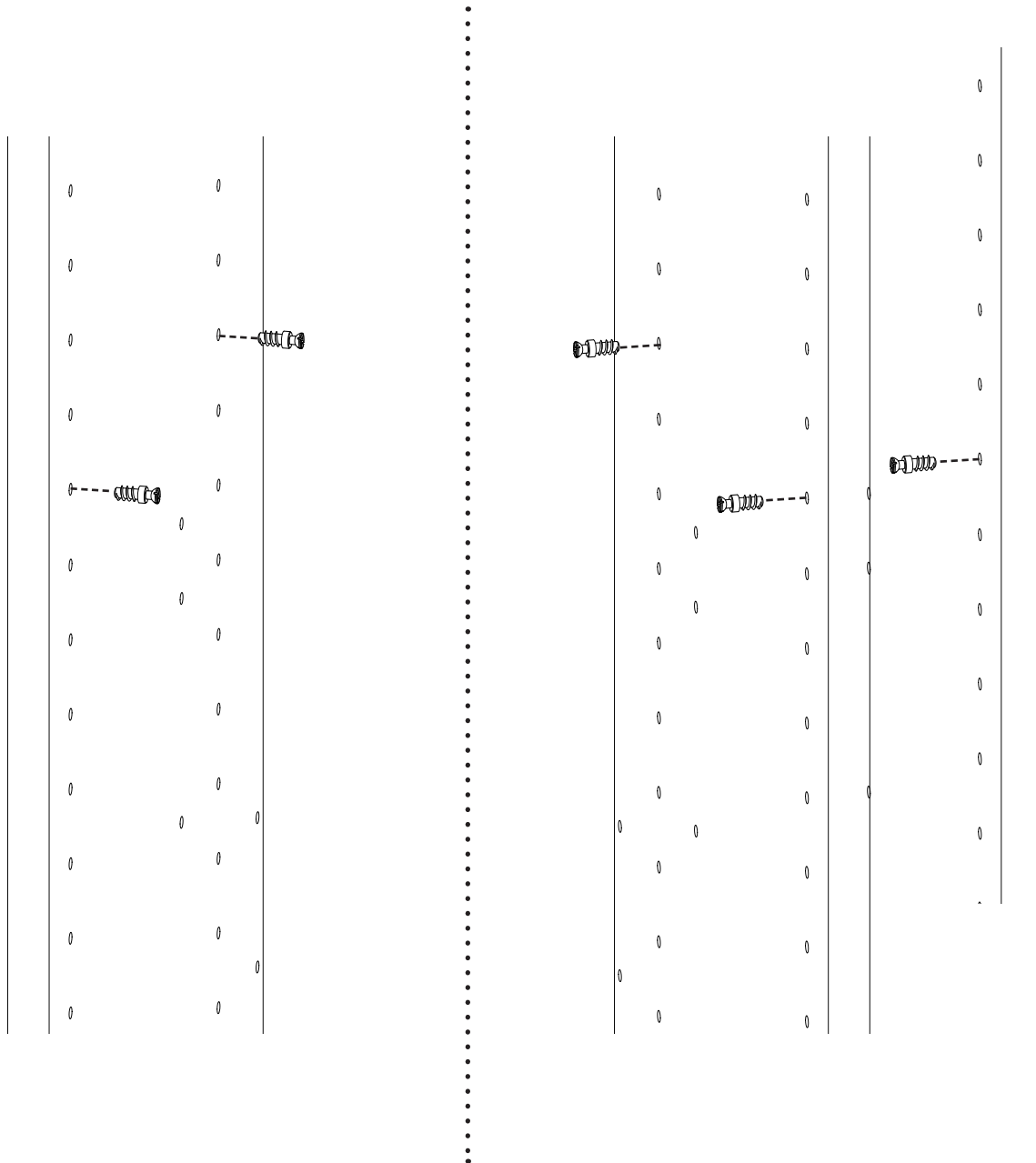
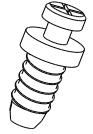
**If planning to use additional adjustable shelves in the corner unit please continue. If not, skip to page 13 to continue.**



### Step 4b

For additional corner shelves, drill rafx screws into horizontally matching hole slots on all three of panels where the additional corner shelves will be placed.

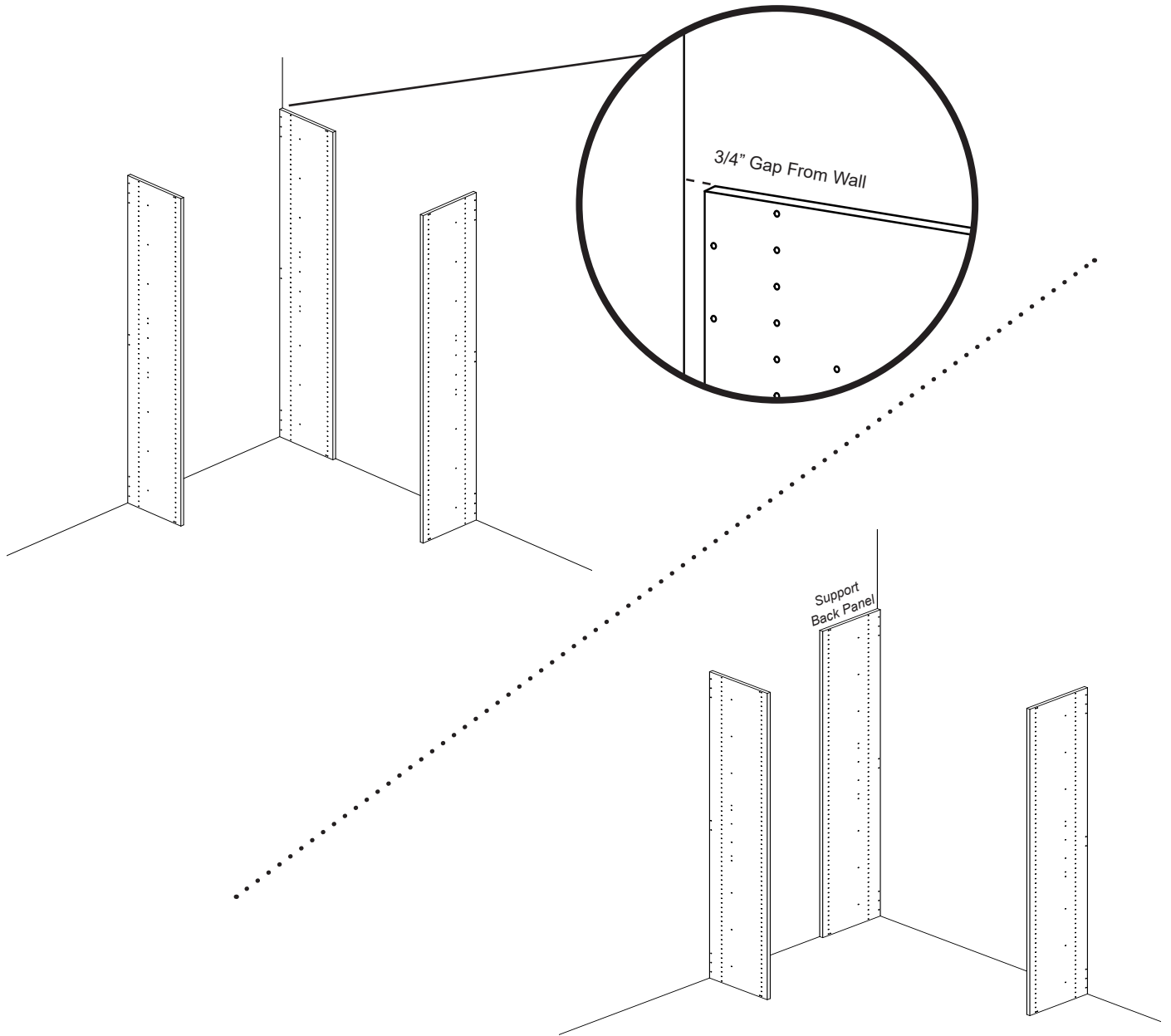
Rafx Screw  
x6



Repeat as necessary for all adjustable shelves planning to be placed.

### Step 5

Line up panels against wall to prepare for bottom shelf insert as shown below. Back panel will be offset 3/4" from perpendicular wall.



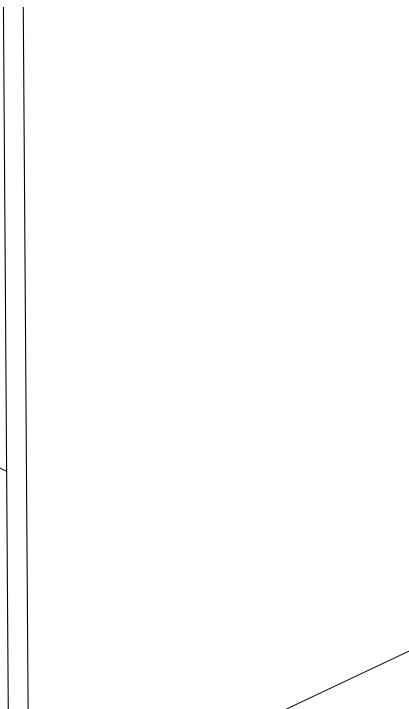
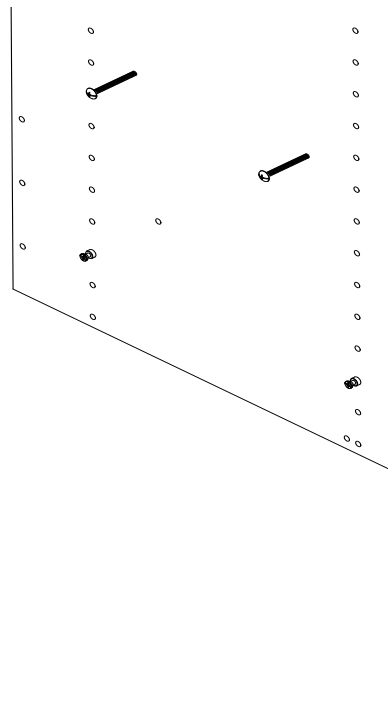
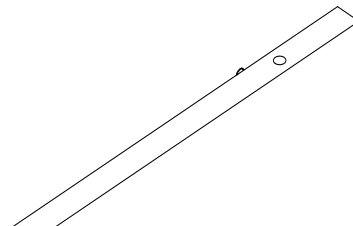
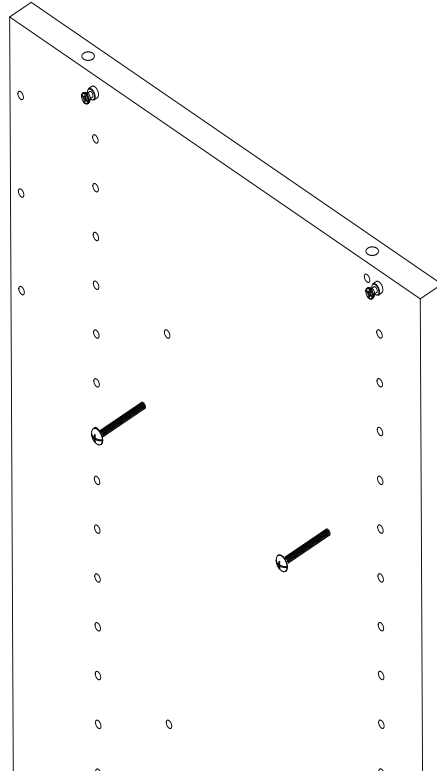
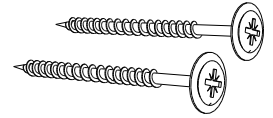
**Please consult design to ensure any center panel is properly placed for connecting additional alto units.**



### Step 5b

Using a stud finder, search for the studs in the wall and drill the screws through the top and bottom of the support back panel into the studs for support. Do **NOT** drill anchor screws at the same level as any shelf.

Anchor Screws x4



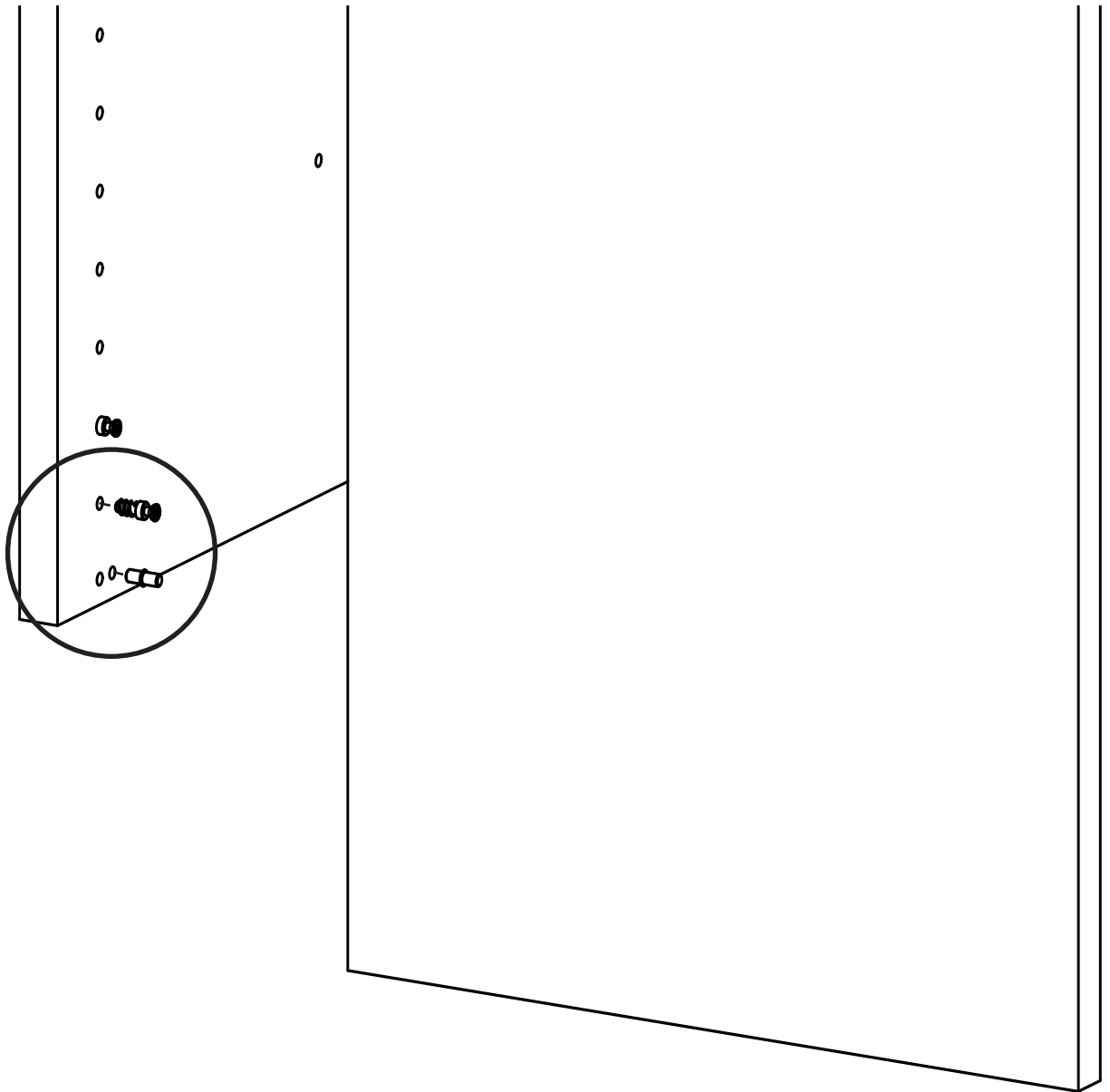
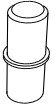
### Step 6

On each of the end panels drill one rafx screw and insert one pin into the designated holes shown below.

Rafx Screw  
x2



Pin  
x2



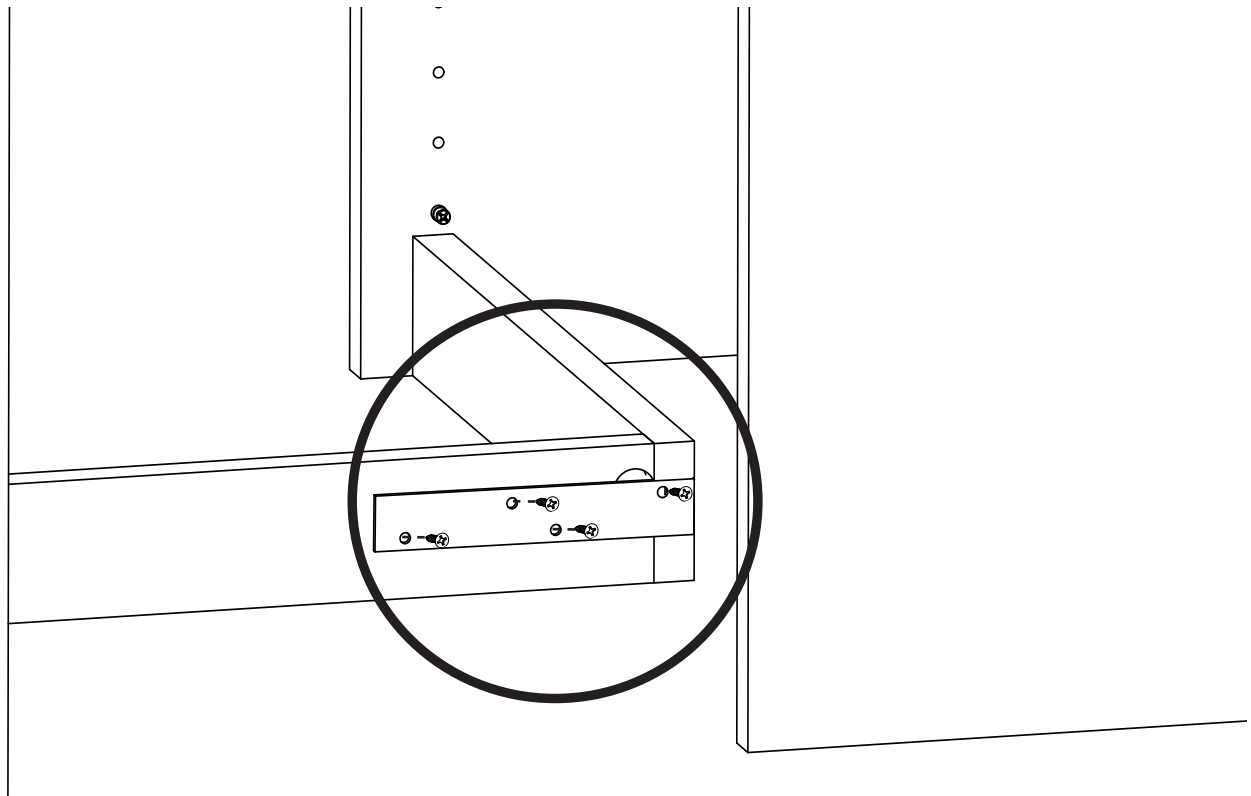
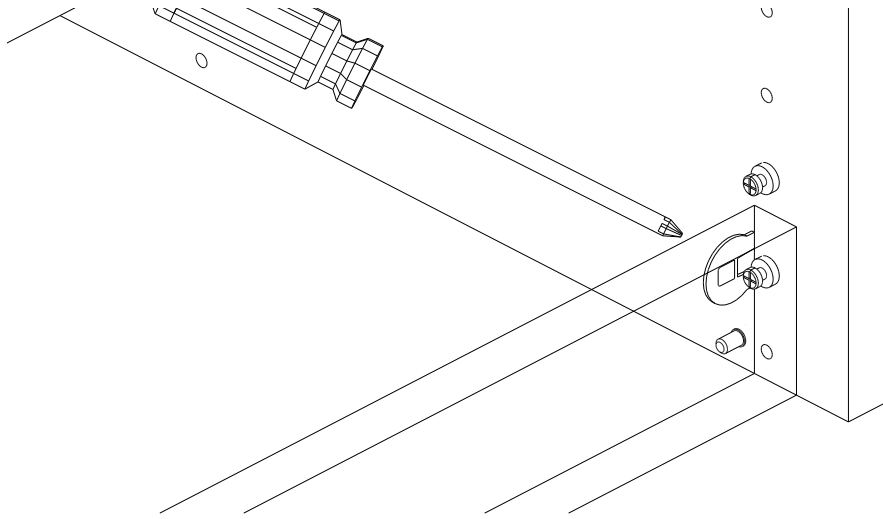
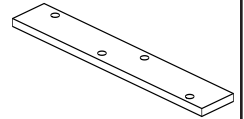


### Step 7

Take screwdriver and insert toekick A and B underneath and tighten each rafix clip on the side of the toekicks. Then use provided hardware plate and screws to secure the two ends that meet.

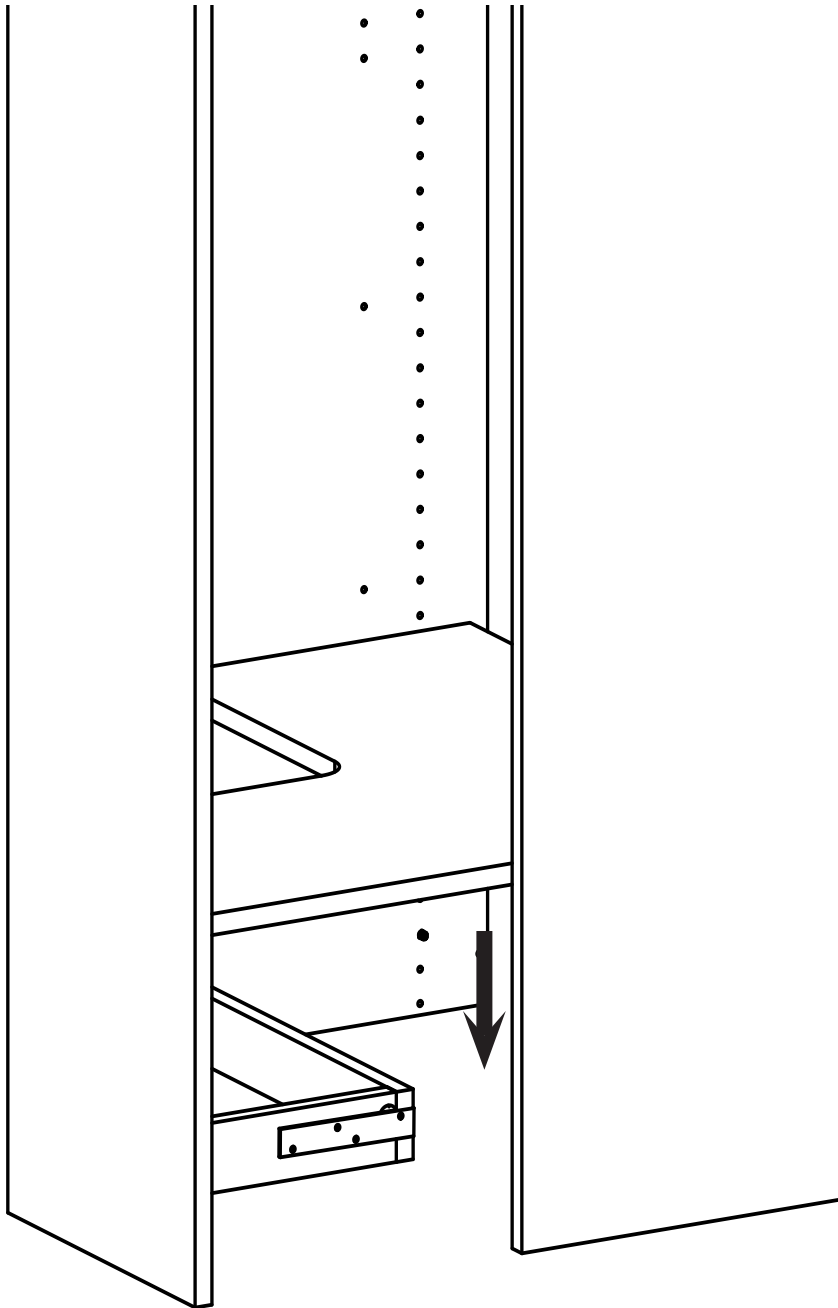
6X5/8 screw  
x4

plate



### Step 8

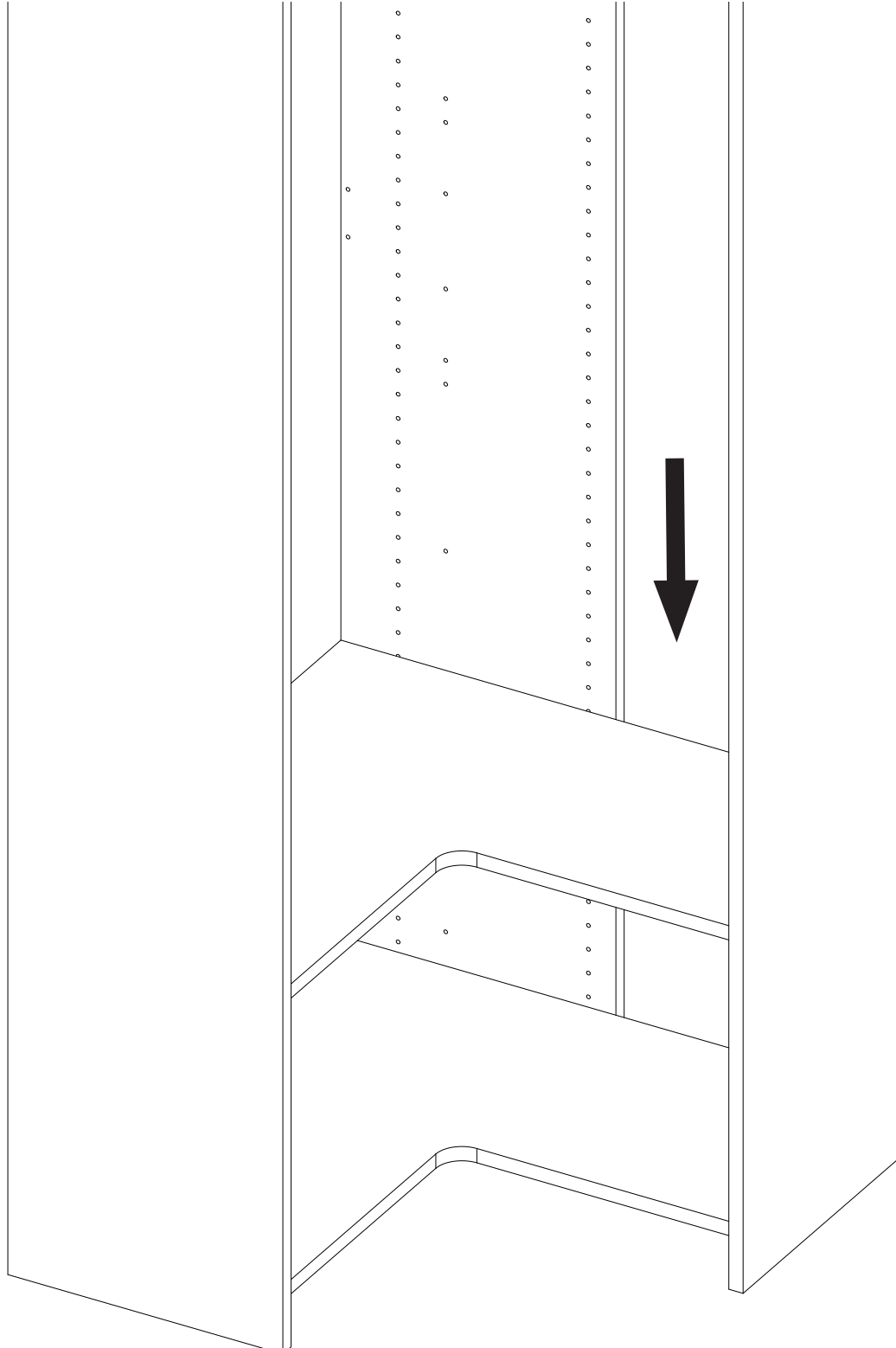
Take bottom fixed shelf and press into place at bottom screws above the toekick.





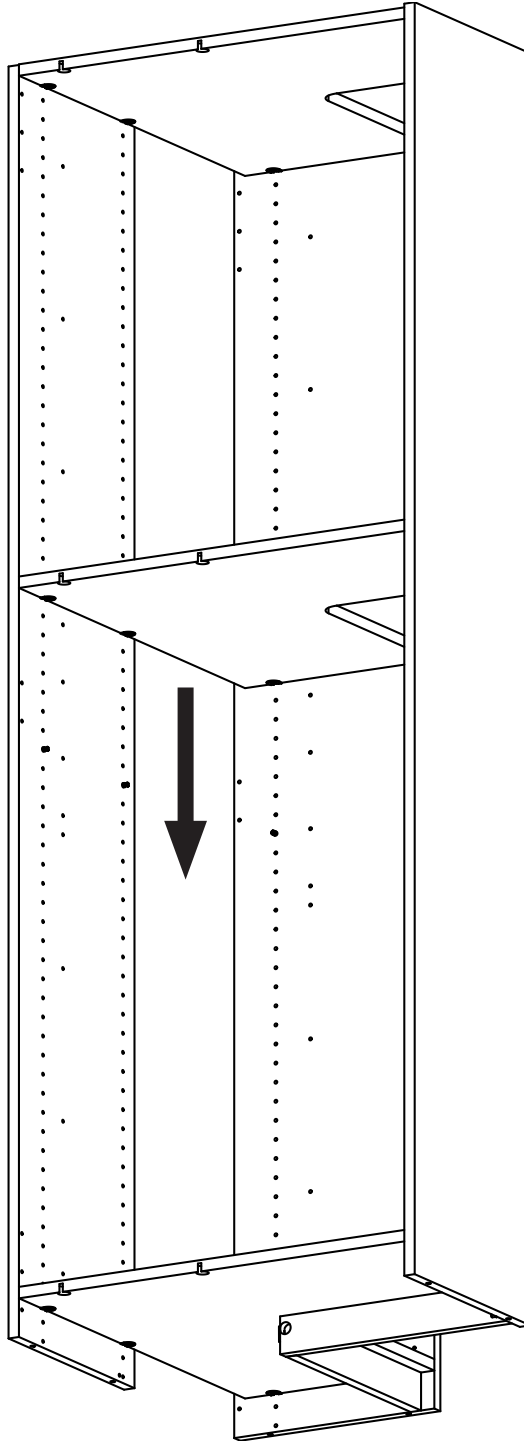
### Step 9

Insert any additional corner shelves (wedgefix hardware) that will be under the middle fixed shelf now. Additional shelves should attach to rafix screws drilled in step 4b.



**Step 10**

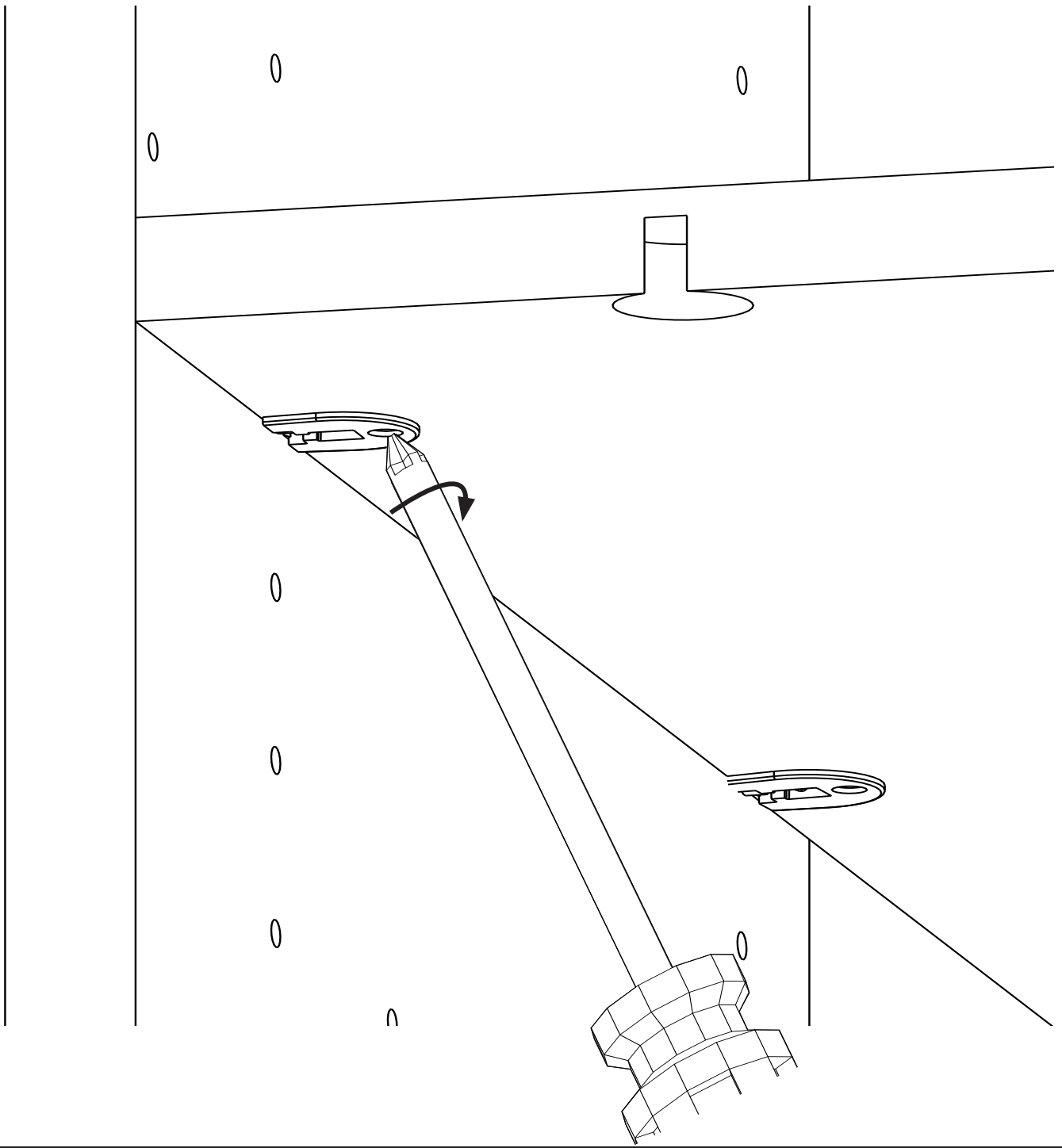
Insert corner fixed shelf into next available rafix screws (middle) and press shelf into place.





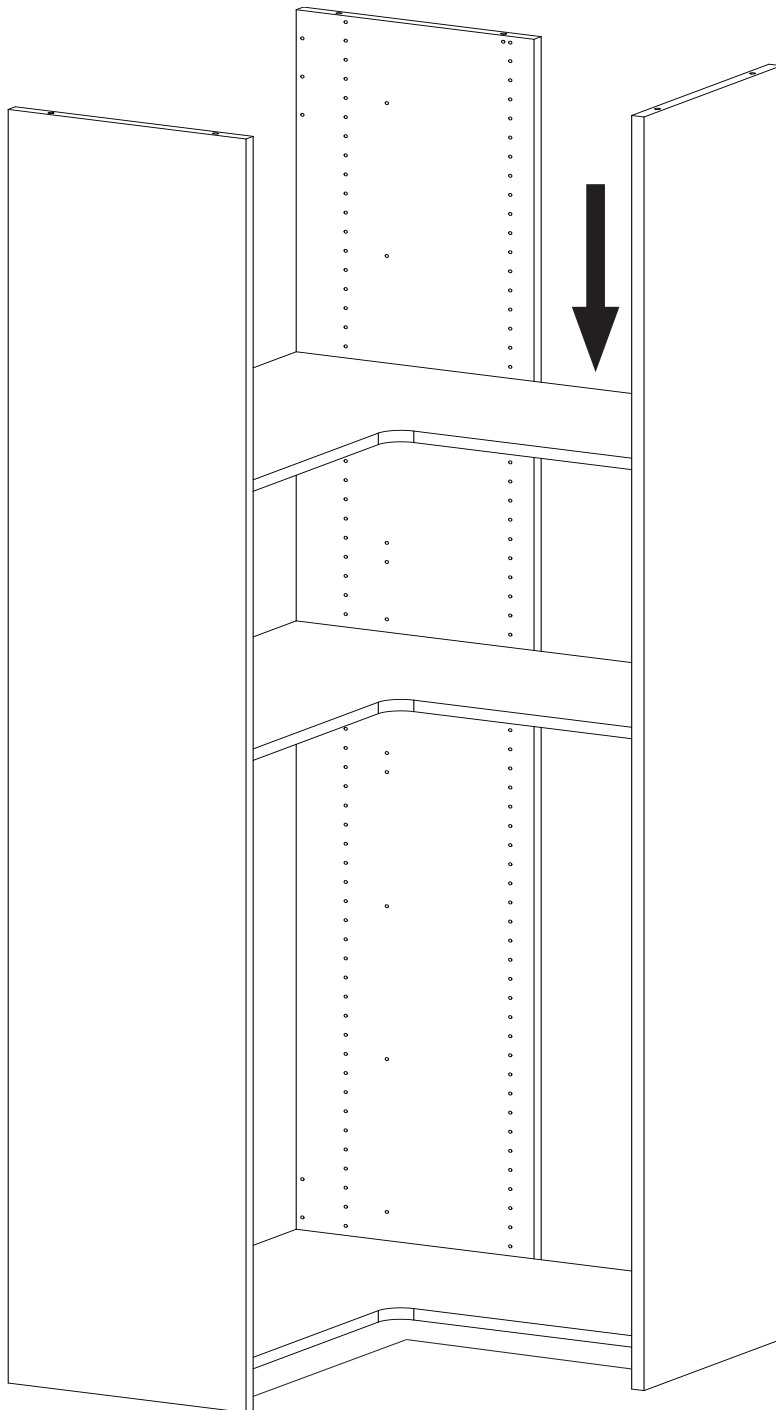
### Step 11

Take screwdriver underneath pressed in middle shelf and tighten rafx clips to secure shelf to panels. Repeat for all 6 rafx clips.



**Step 12**

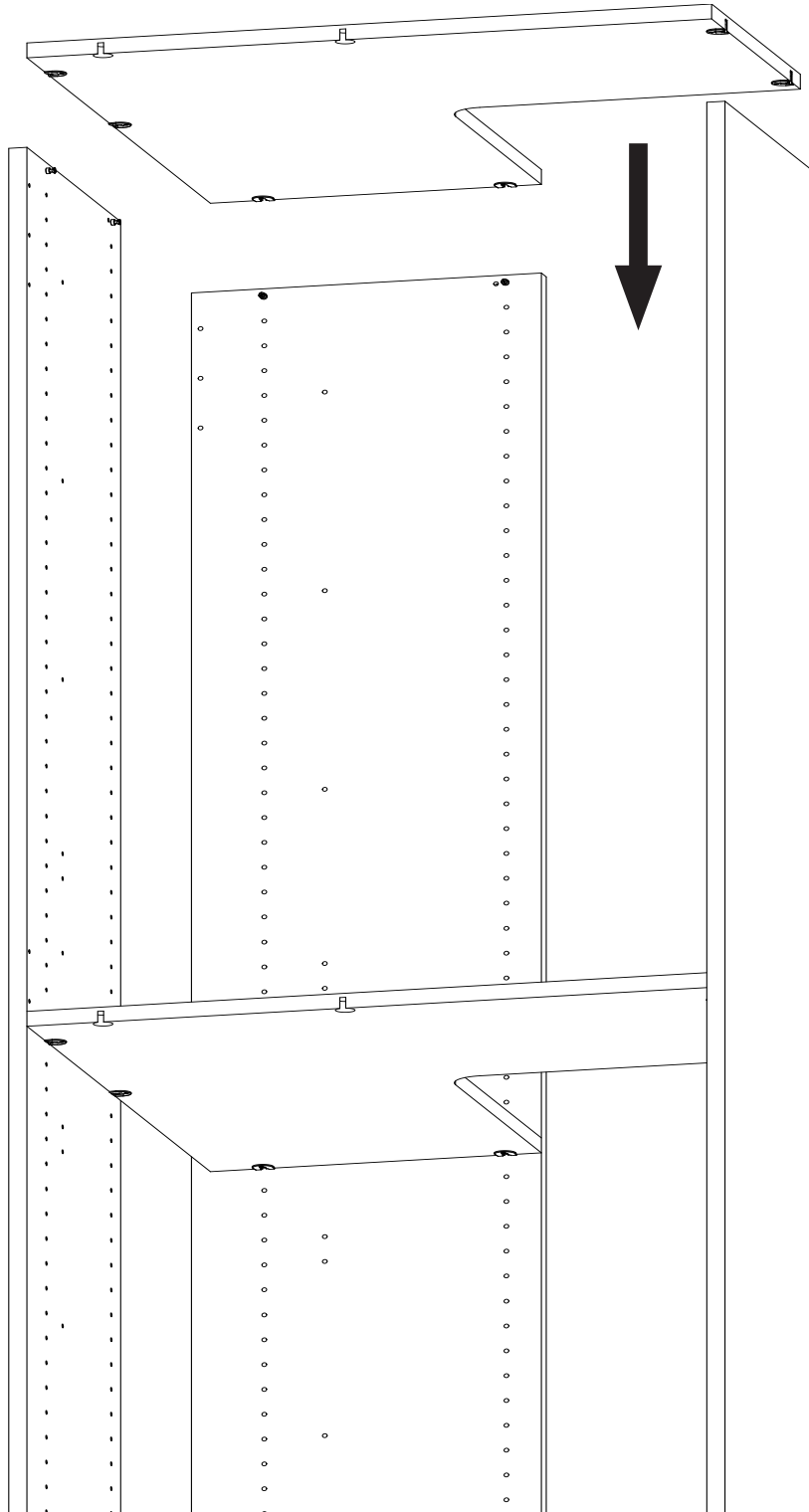
Insert any additional corner shelves that will be above the middle fixed shelf now. Additional shelves should attach to rafter screws drilled in step 4b.





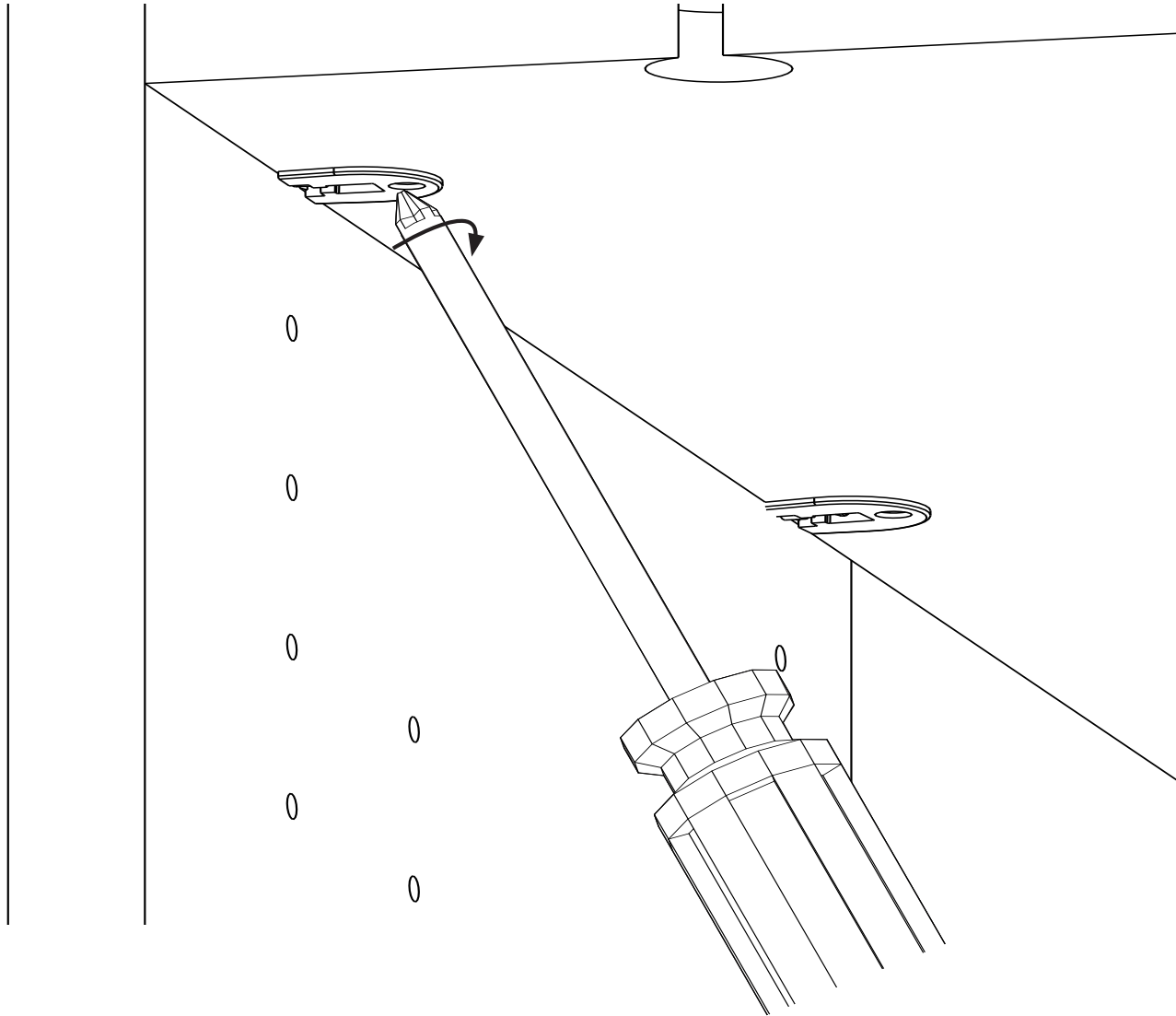
### Step 13

Insert corner fixed shelf into next available rafix screws (top) and press shelf into place.



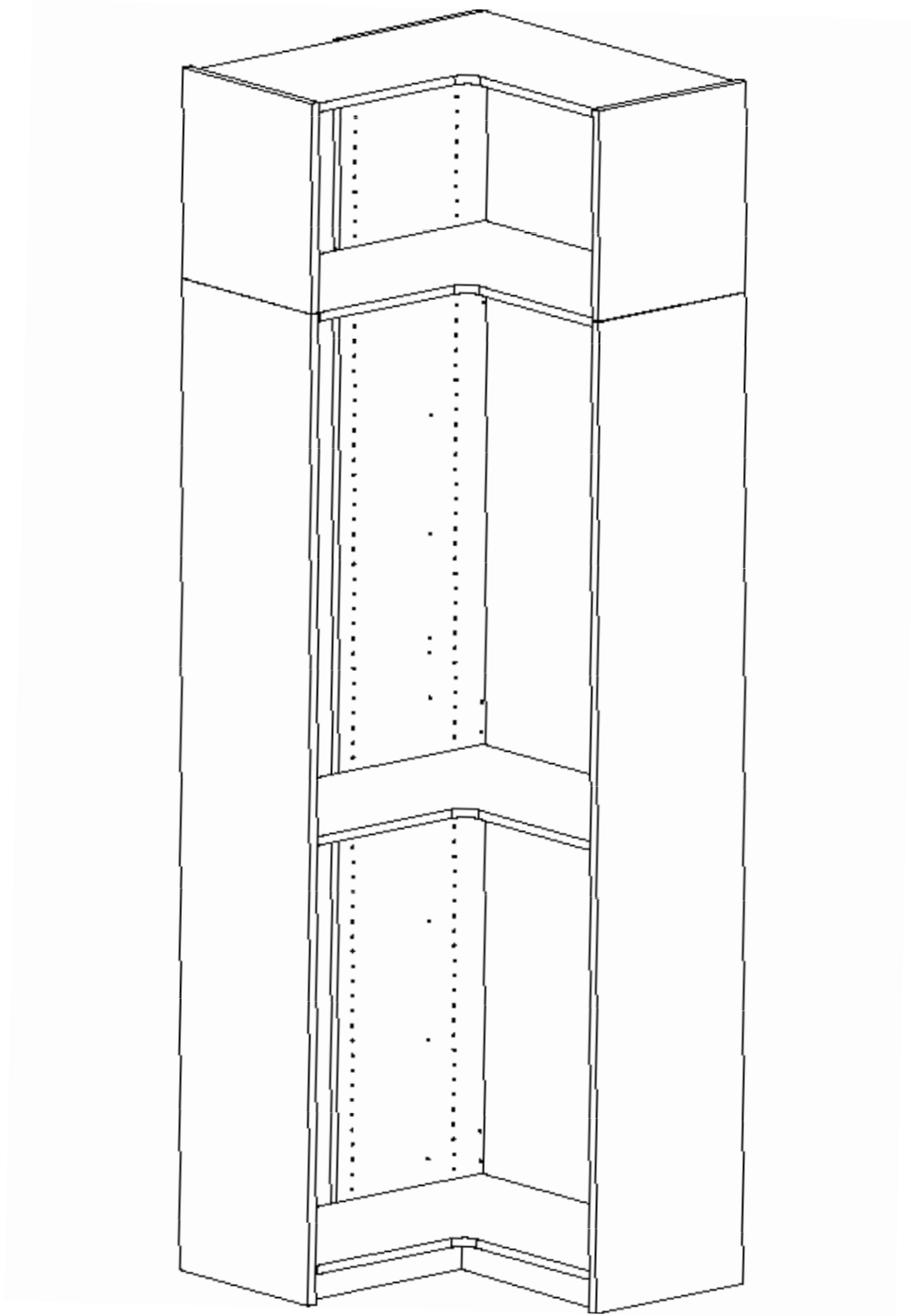
### Step 14

Take screwdriver underneath pressed in top shelf and tighten rafix clips to secure shelf to panels. Repeat for all 6 rafix clips.



Return to page 4 to continue building adjoining standard Alto Towers.

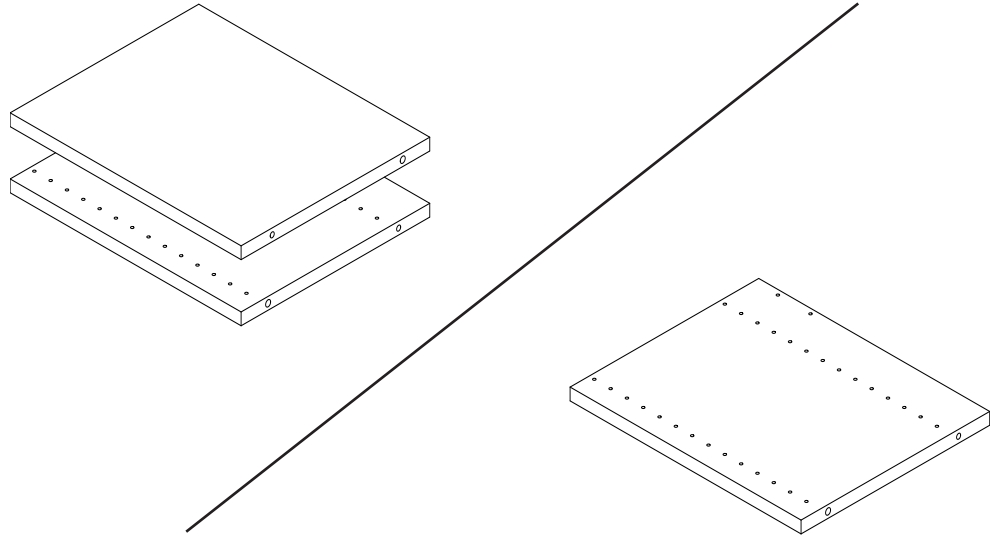
Alto Corner Extension Unit



## Boxes Needed

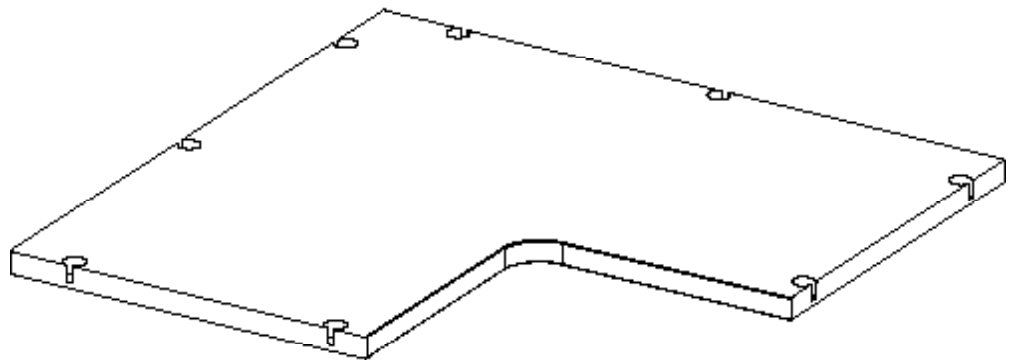
### ALT-ESP/ECP

*Side Panels/Center Panels  
3 Total*



### ALT-ECORFS

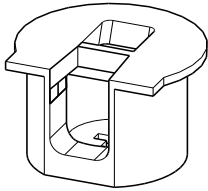
*Extension Corner Fixed Shelf*





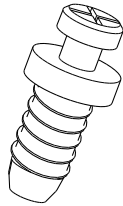
Hardware Packs Needed  
ALT-HRDP-EFS

Rafix  
x6

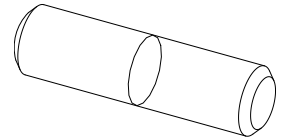


has metal locking  
mechanism

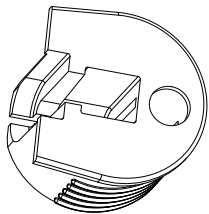
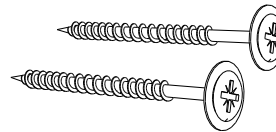
Screw Dowel  
x6



Dowel  
x6

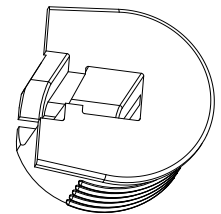


Anchor Screws  
x2



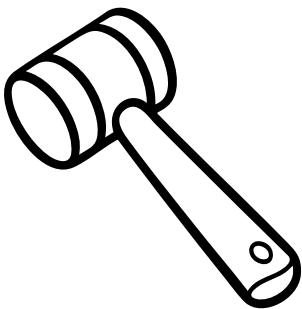
**Please Note: Rafix/Wedgefix**

Rafix hardware has an additional hole at the top of the hardware to allow a screwdriver to secure the clip once inserted to screw dowel. Wedgefix hardware does NOT have this additional hole.

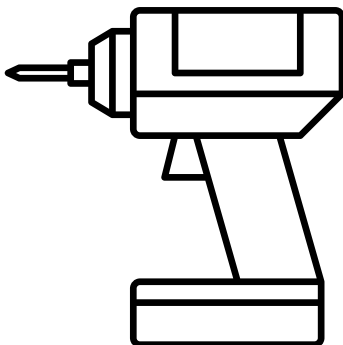


**Tools needed**

Rubber Mallet



Drill



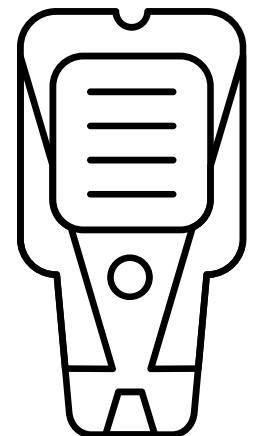
Level



Philips  
Screw  
Driver



Stud Finder

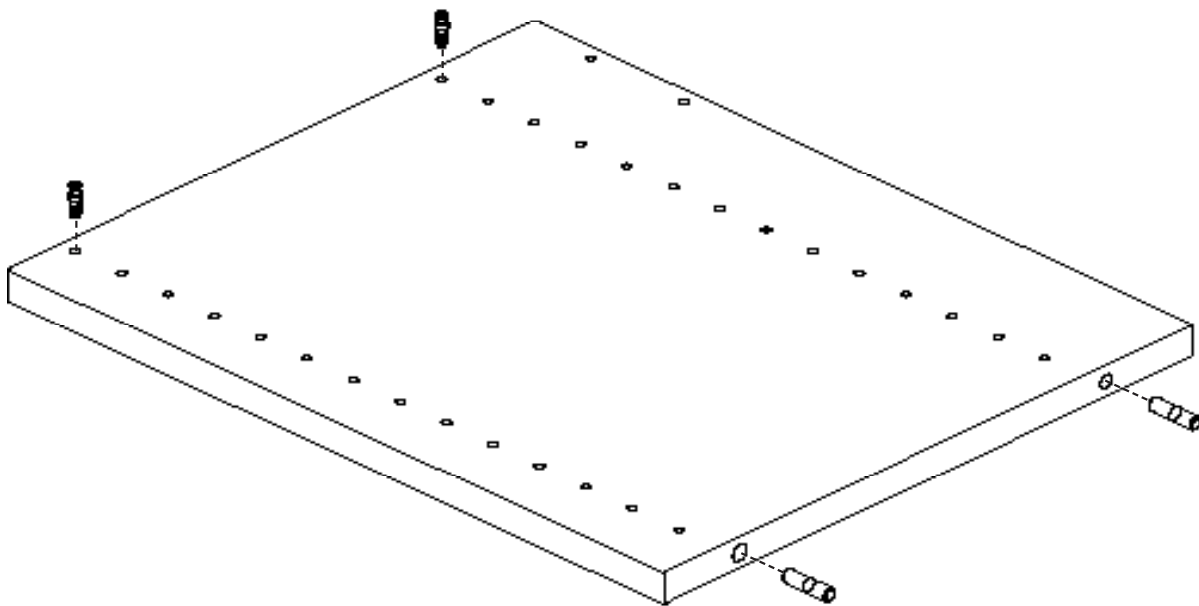
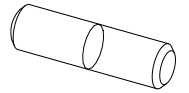


### Step 1

Take 2 screw dowels and drill into the top row show below. Take 2 dowels and insert at the bottom of **each** side/center panel as shown below.

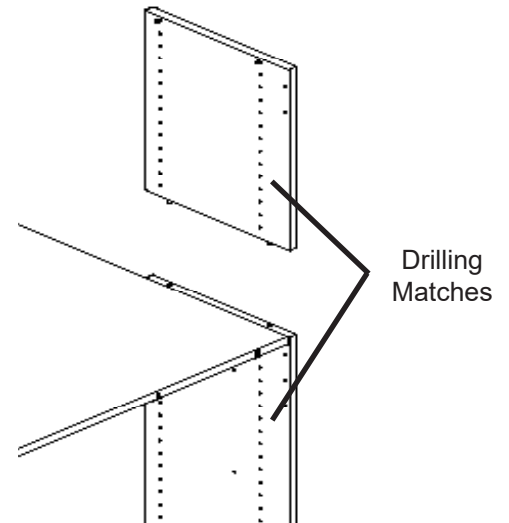
Screw Dowel x6

Dowel x6



**Please Note:**

The Center Extension Side Panel (ALTO-ECP) will be used as a supporting back panel that aligns with the support back panel in the corner unit. Please double check which side will be drilled on and that it matches the drilling on the side panel under it.

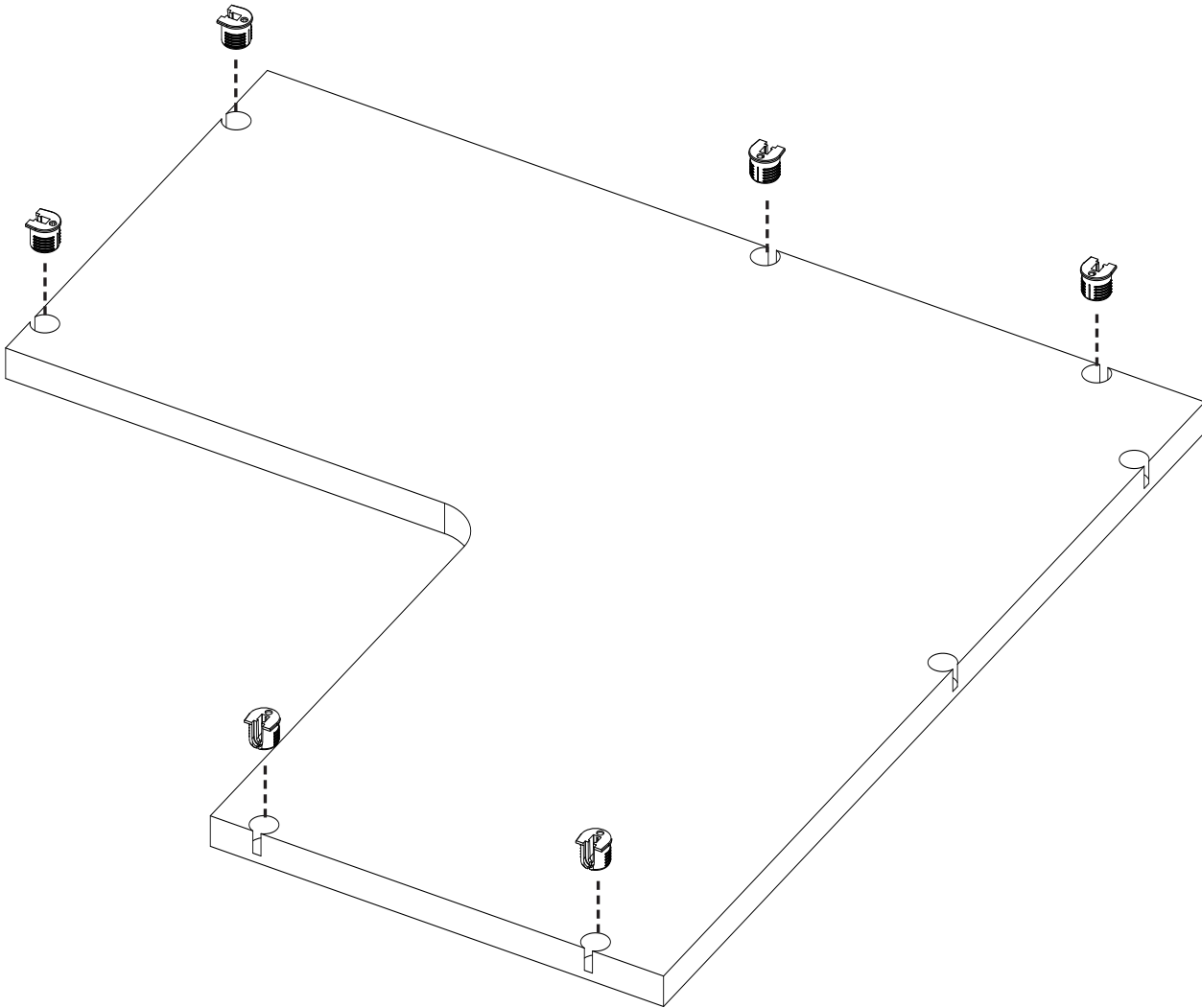
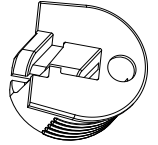




## Step 2

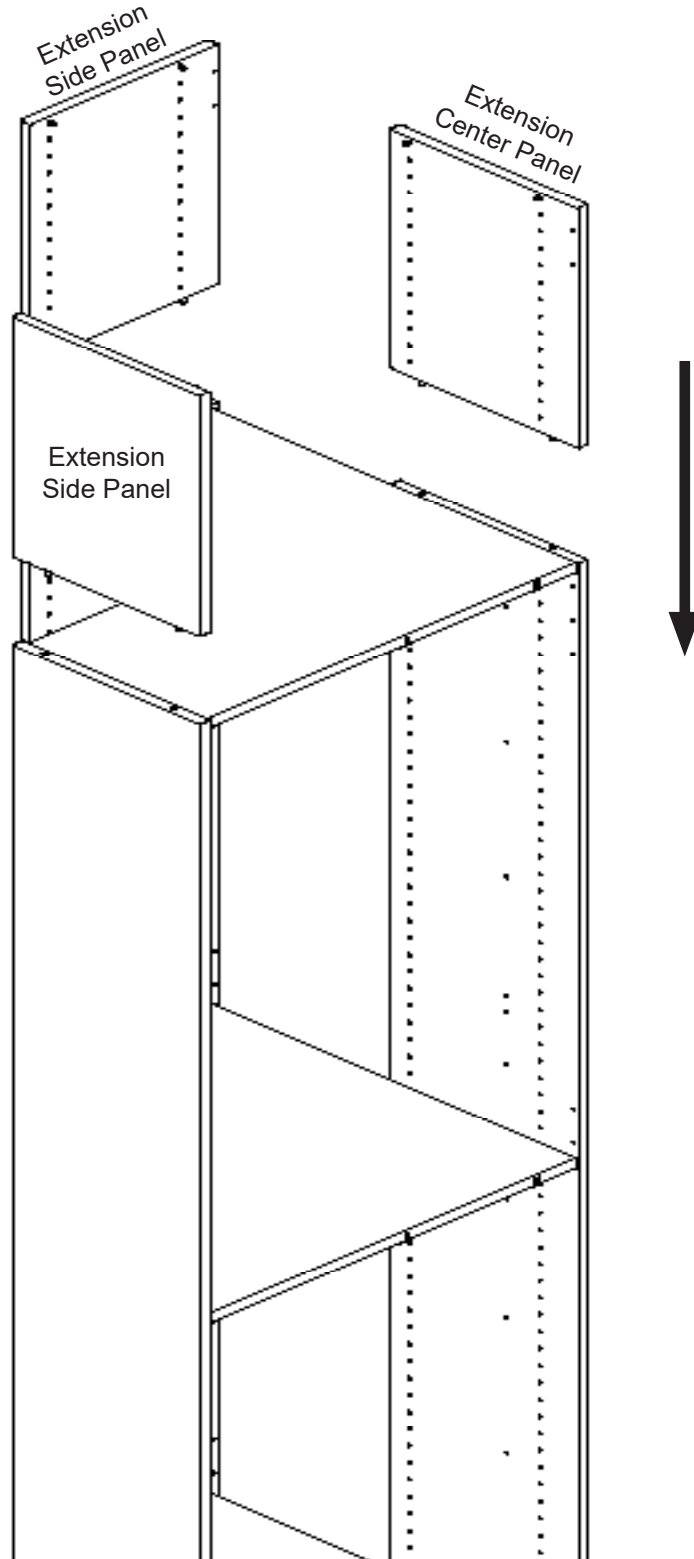
Insert Rafix hardware into corresponding slots that **match** the corner shelves already installed.

Rafix  
x6



### Step 3

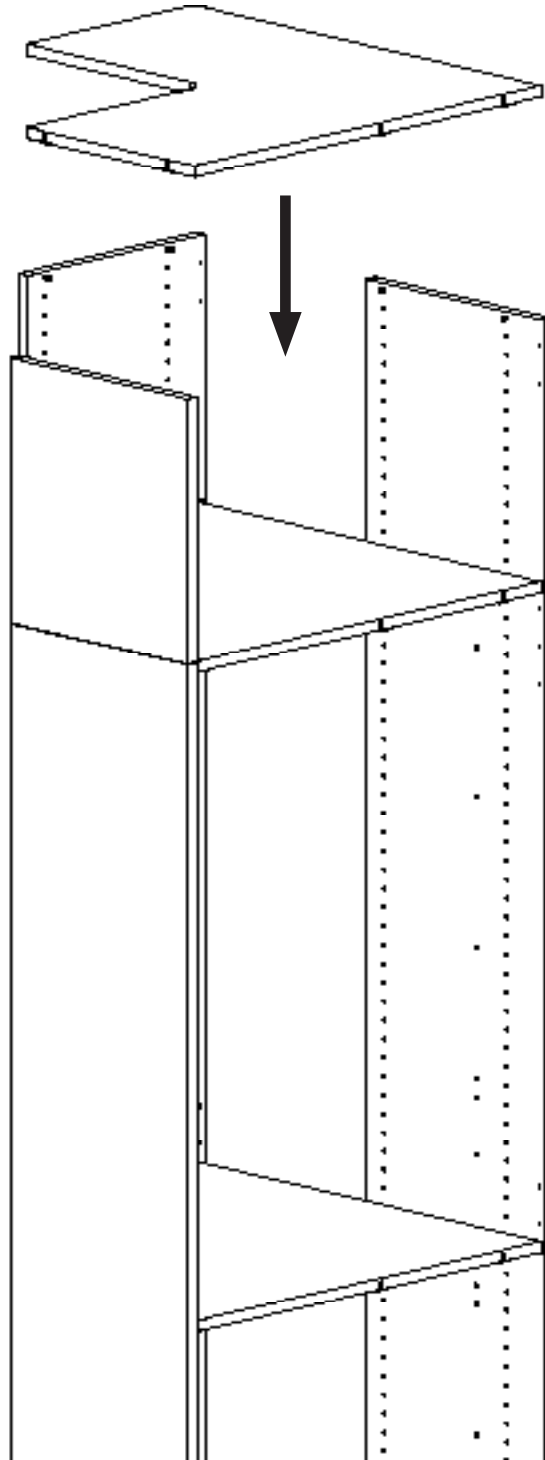
Insert extension side panels into the top of corner unit. Insert extension side panel as the supporting back panel.





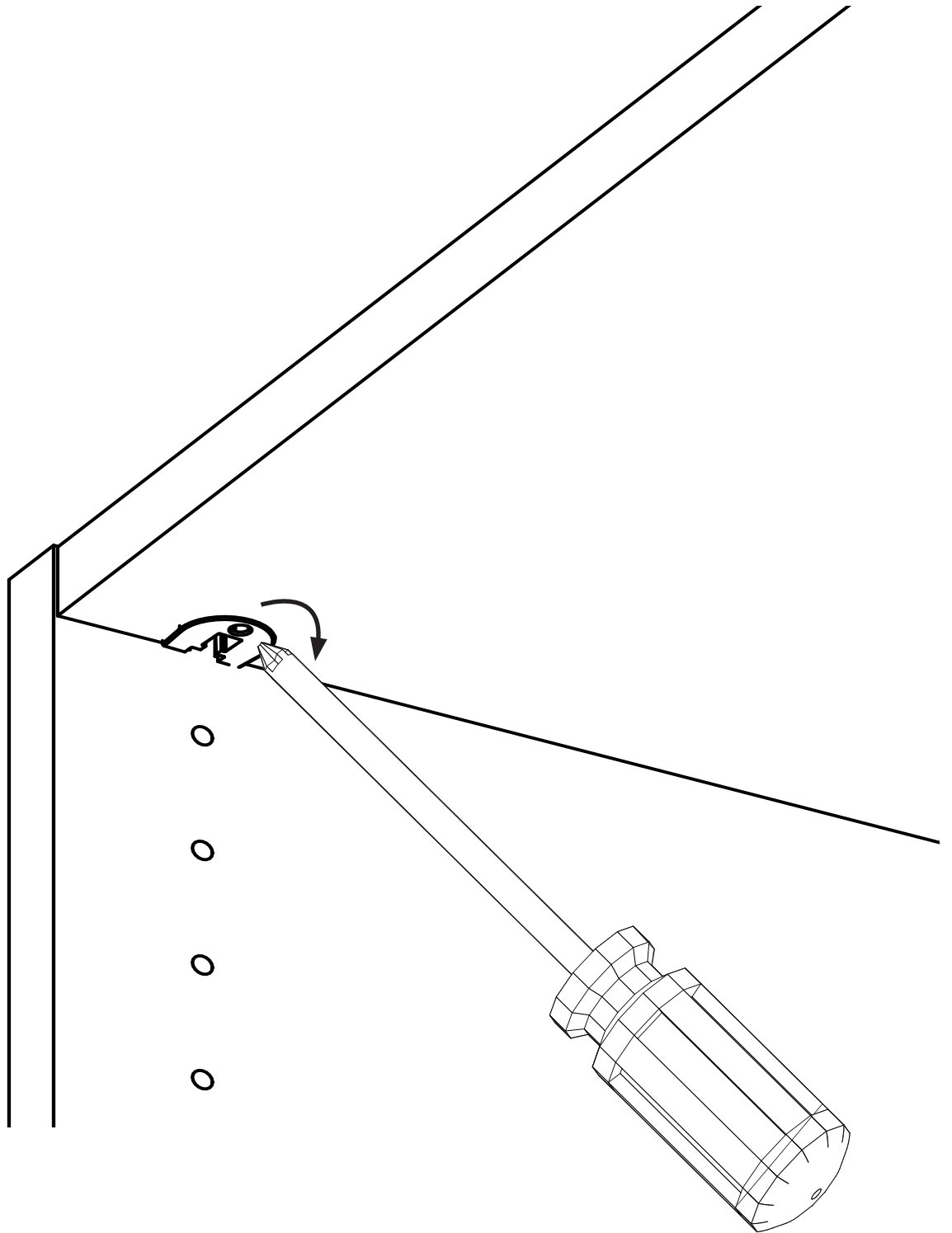
### Step 4

Insert corner shelf with Rafx hardware into the Screw Dowels at the top of each side/center extension panel.



### Step 5

Tighten Rafix hardware to lock fixed shelf into place.

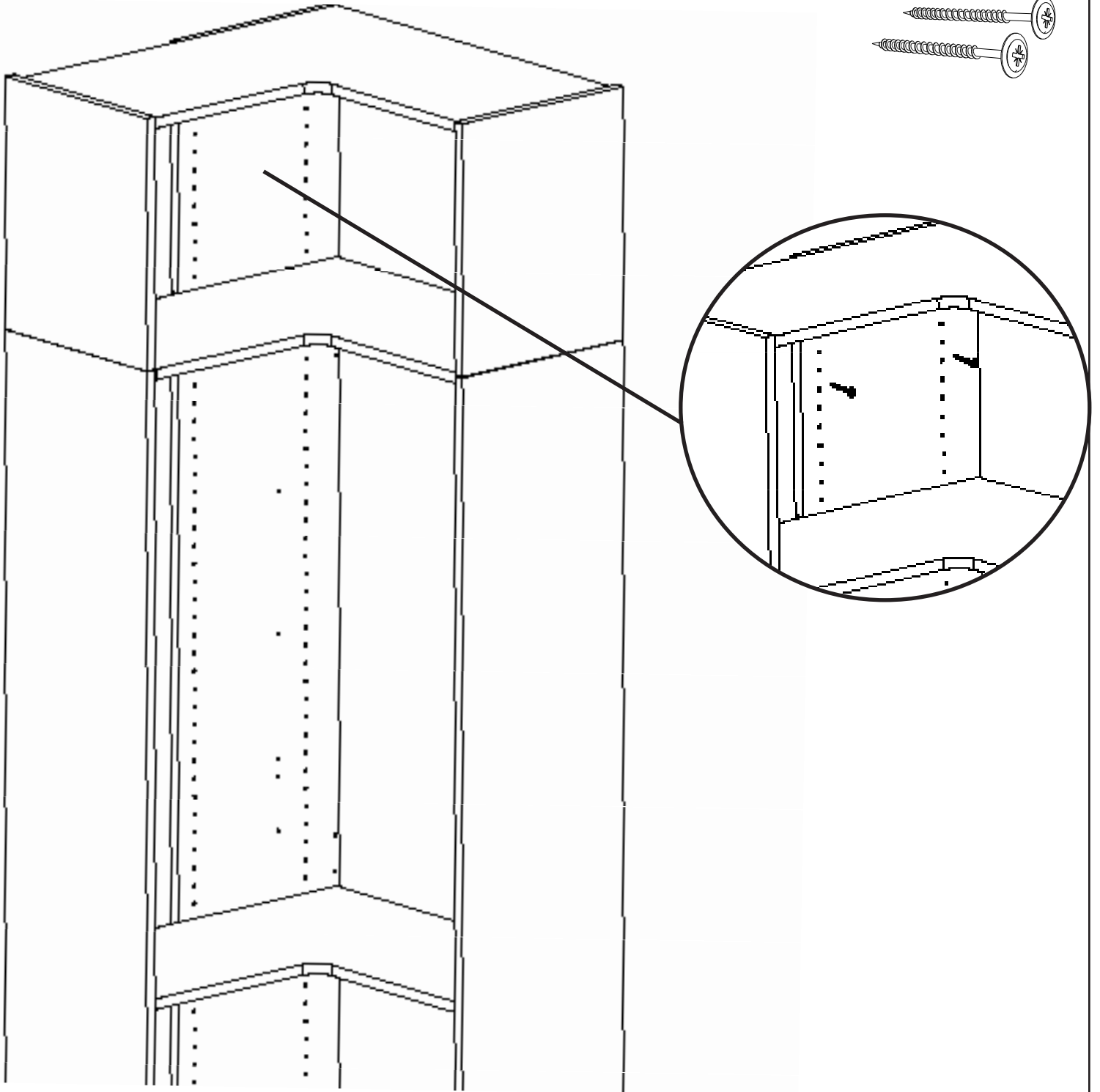
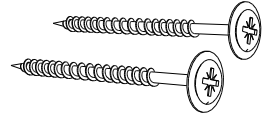




### Step 6

If possible, use provided Anchor Screws from hardware pack to secure extension center panel into studs using stud finder.

Anchor Screws  
x2

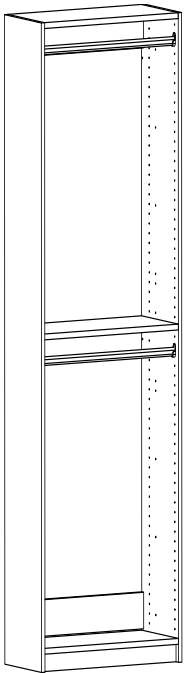


## Interior Component Assembly Index

Refer to your closet plan for the interior components and follow the manual for assembly.

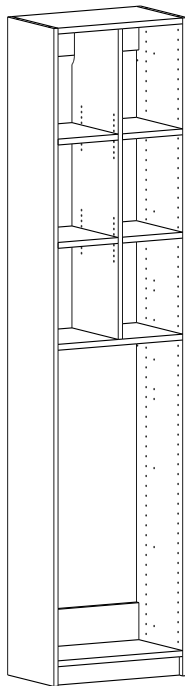
The default configurations shown here are just examples and may not always match your custom design.

Double Hang Assembly



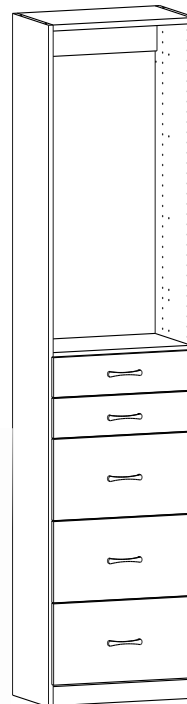
Page 86

Cubby Assembly



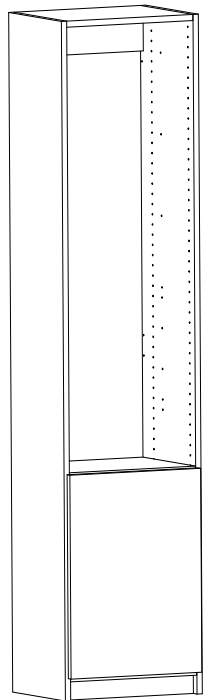
Page 93

Drawer Assembly



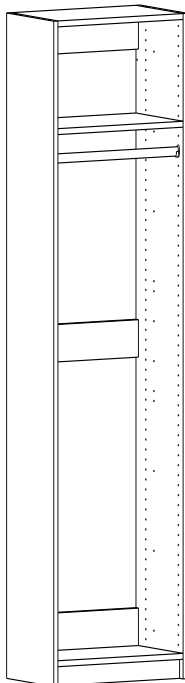
Page 99

Hamper Assembly



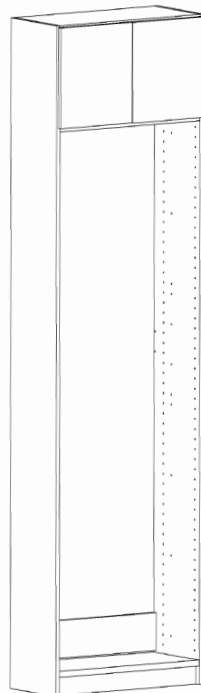
Page 136

Tall Hanging Assembly



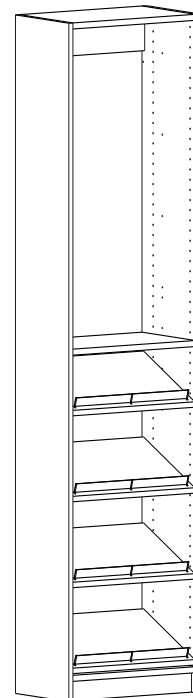
Page 90

All Doors Assembly



Page 123

Shoe Shelf Assembly



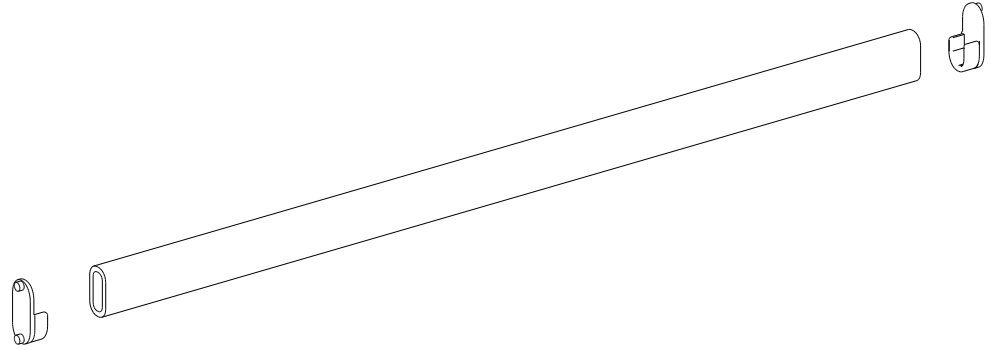
Page 118



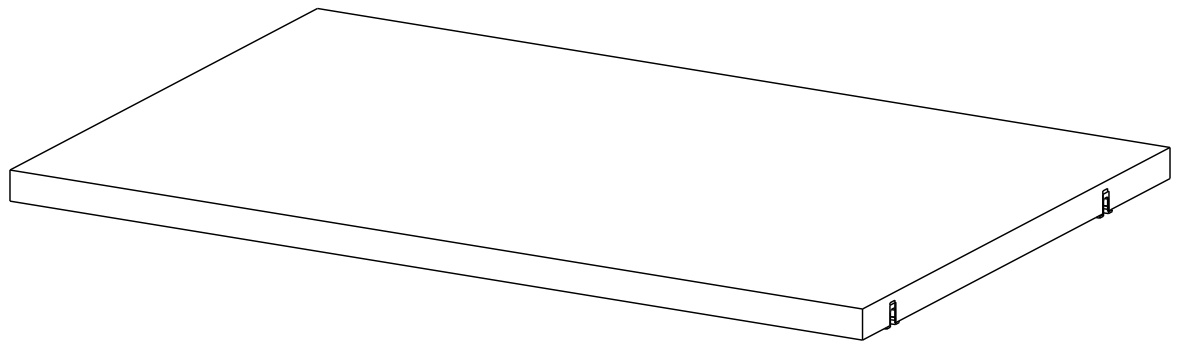
Double Hang Assembly

Parts Needed

Shelf Rod Pack

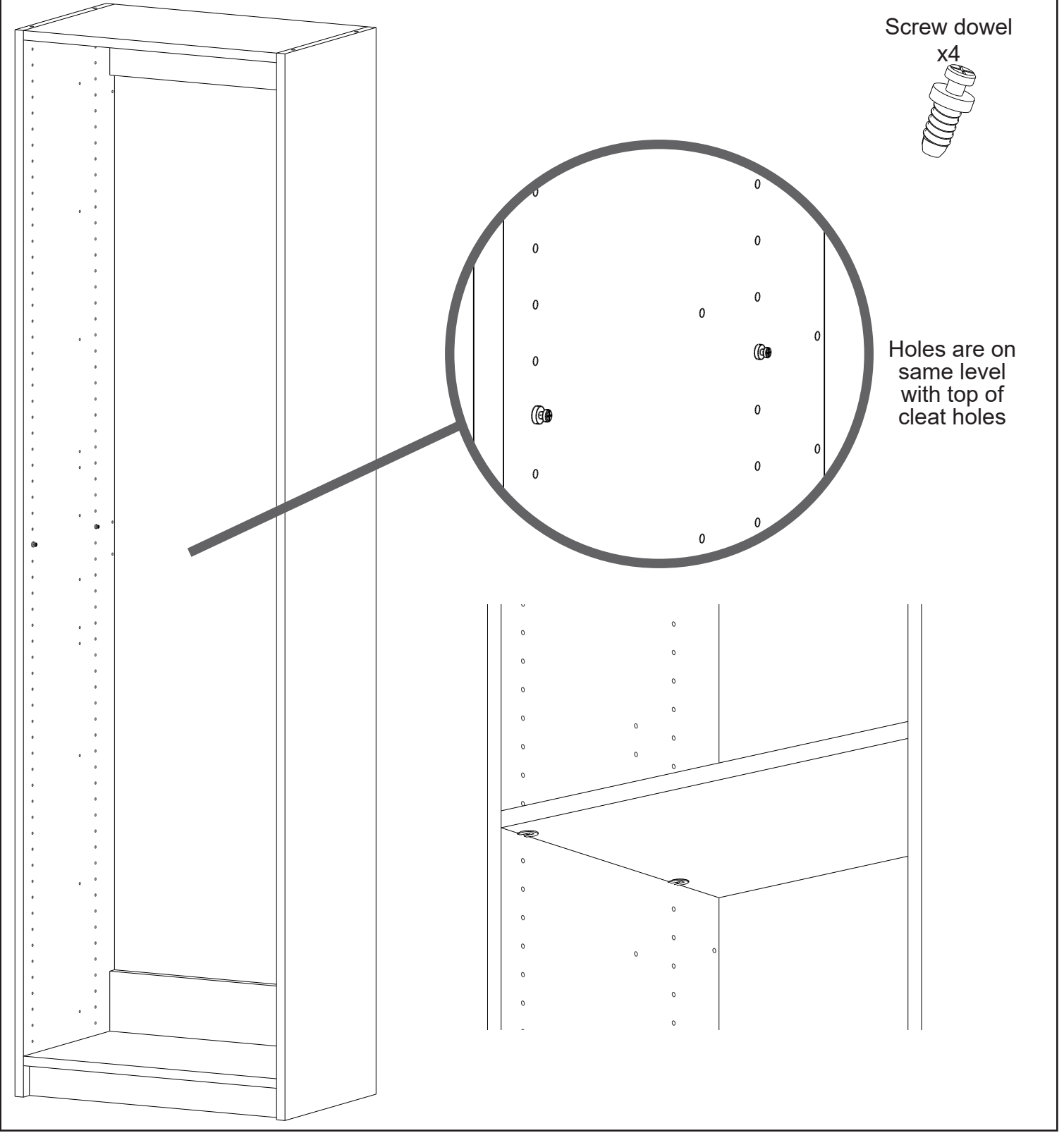


Middle Shelf  
from  
ALT-FS  
Alto Fixed Shelf Pack



### Step 1

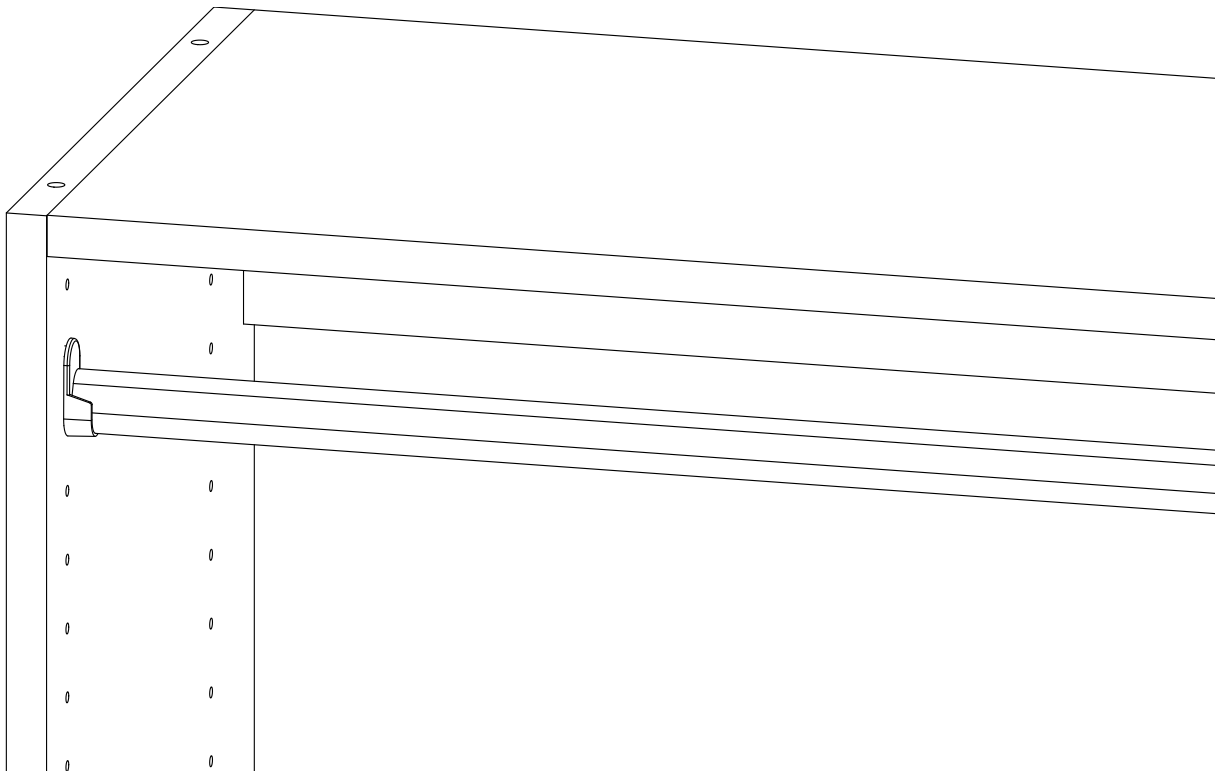
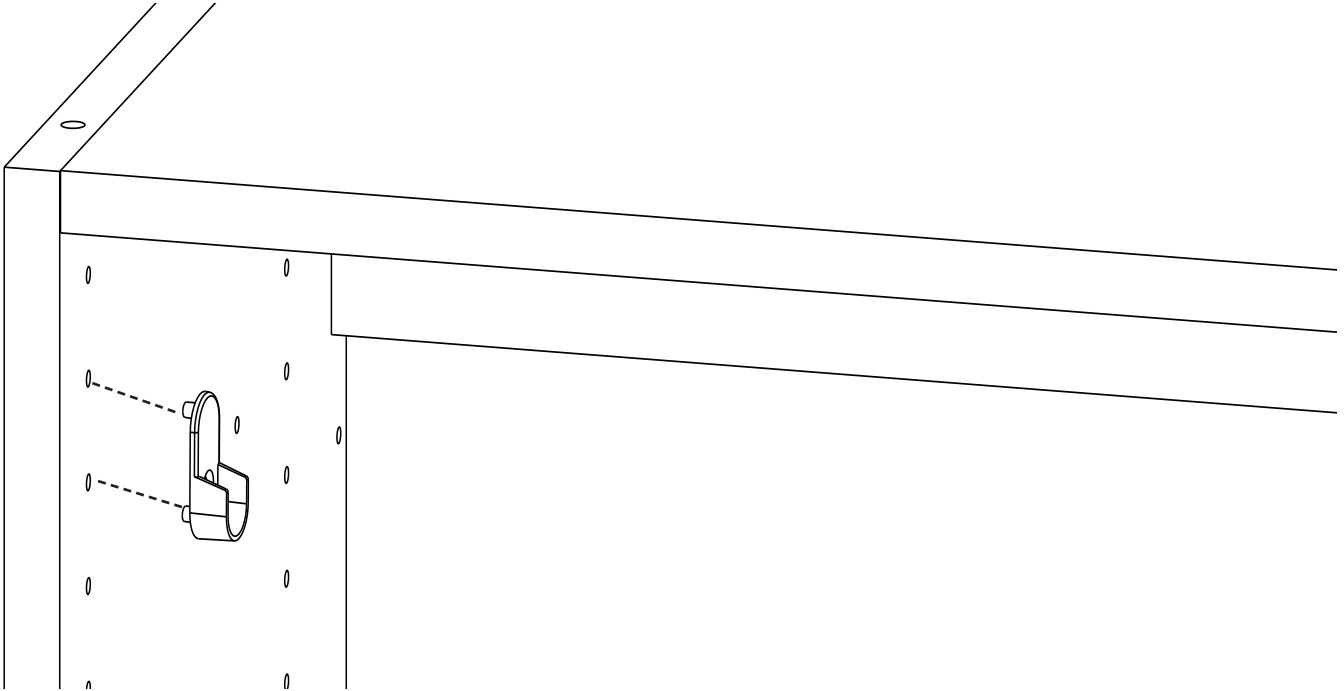
Start by inserting the middle shelf by inserting screw dowels as shown and securing the shelf with the rafixes





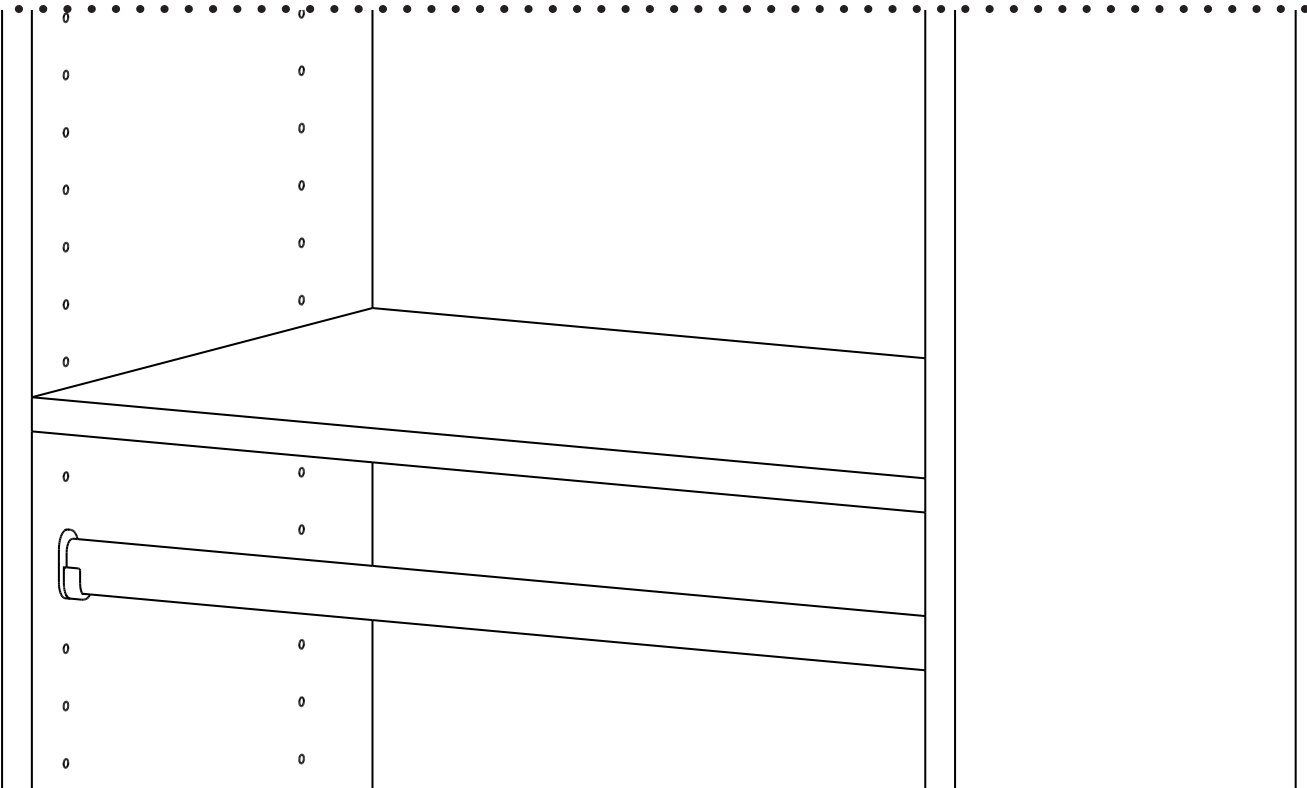
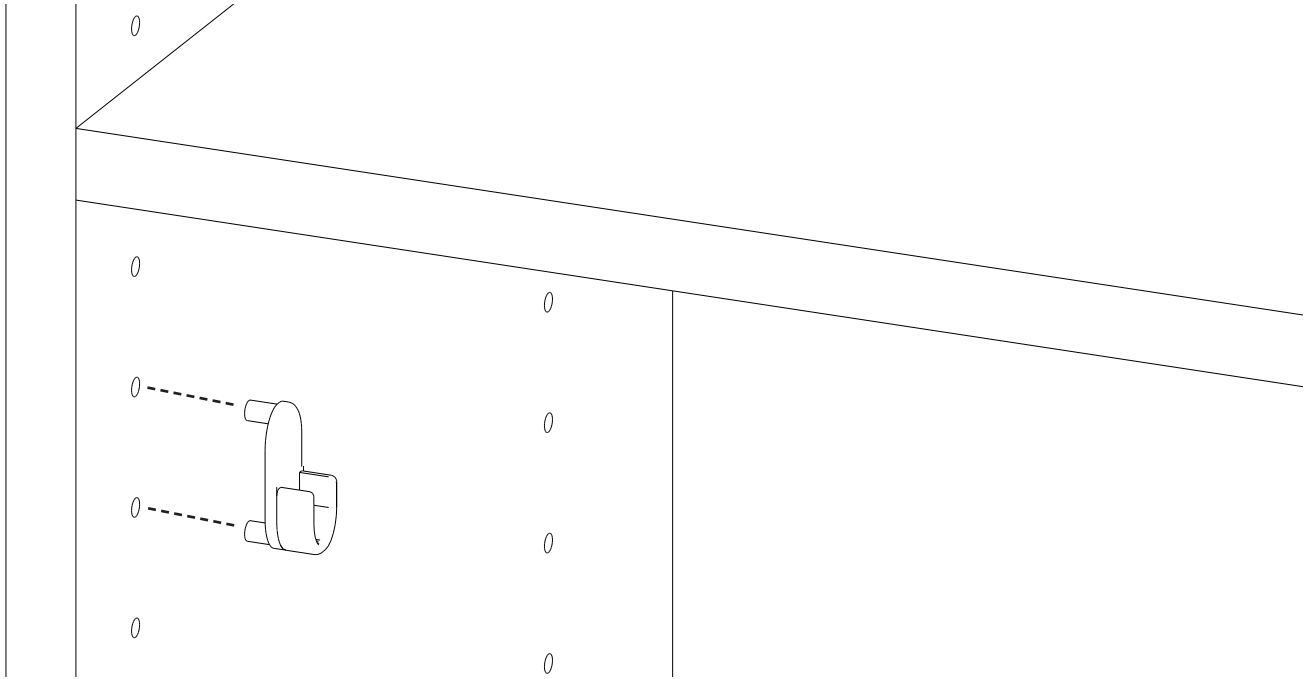
### Step 3

Connect the rod flanges on either side and insert shelf rod under the top shelf



### Step 3

Connect the rod flanges on either side and insert shelf rod under the middle placed shelf

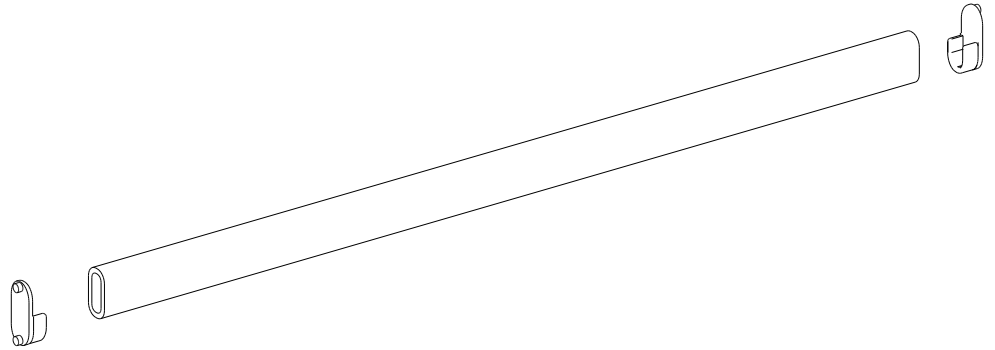




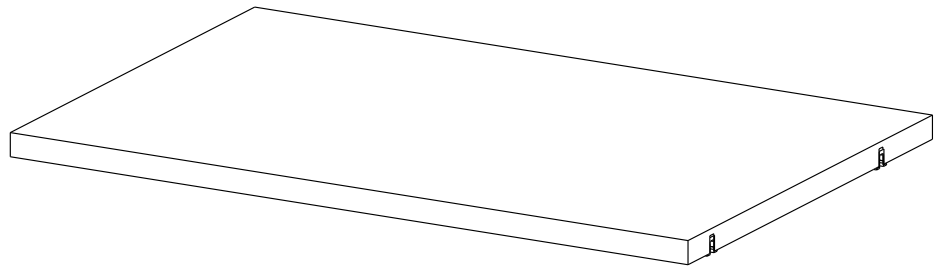
Tall Hang Assembly

Parts Needed

Shelf Rod Pack



Middle Shelf  
from  
ALT-FS  
Alto Fixed Shelf Pack

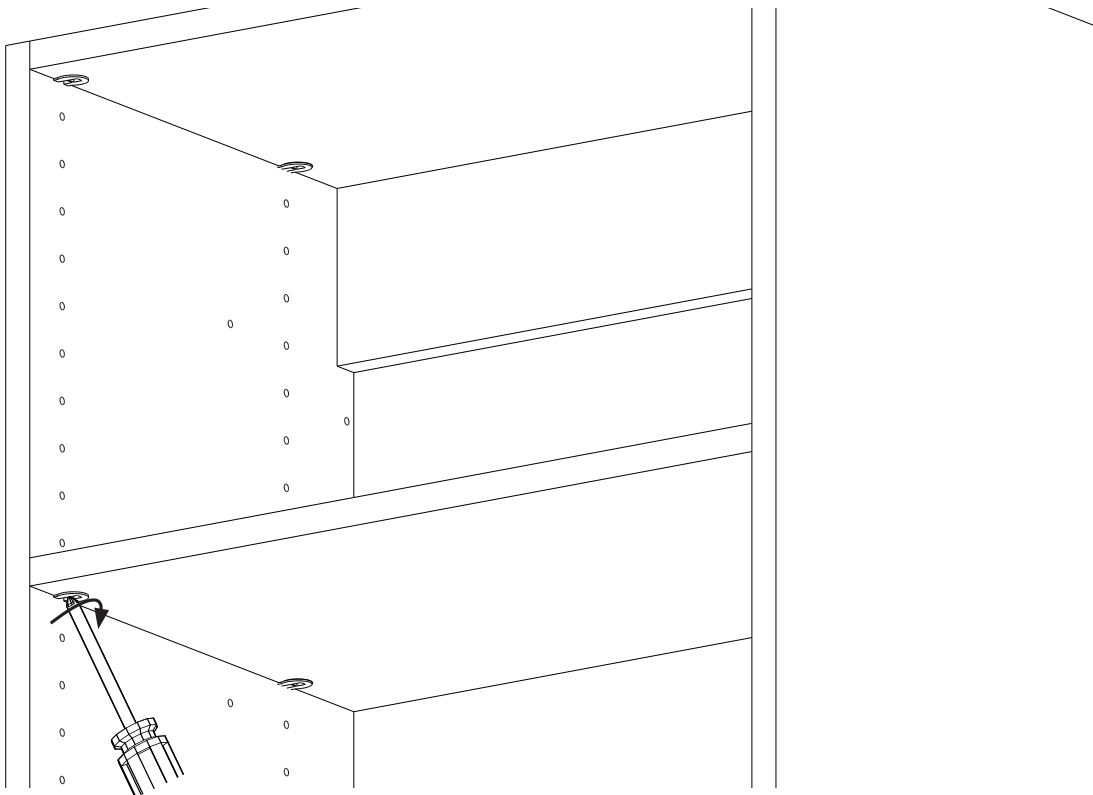
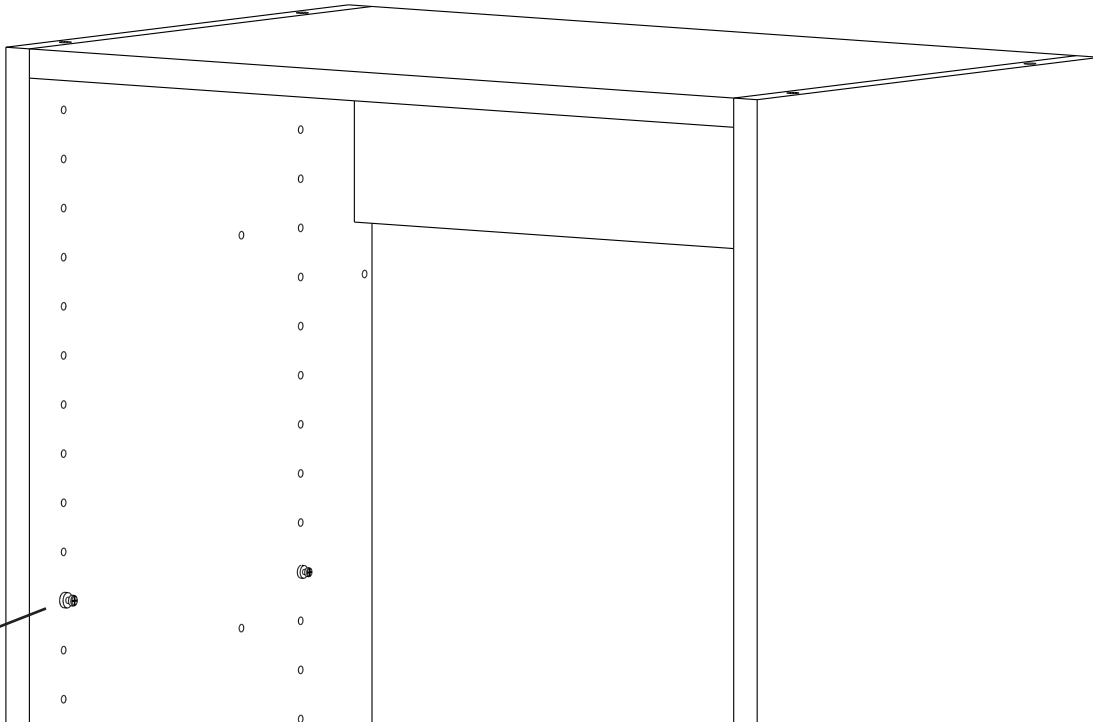


### Step 1

Insert screw dowels in holes on panels on both sides and then connect and secure the middle shelf by turning the rafixes



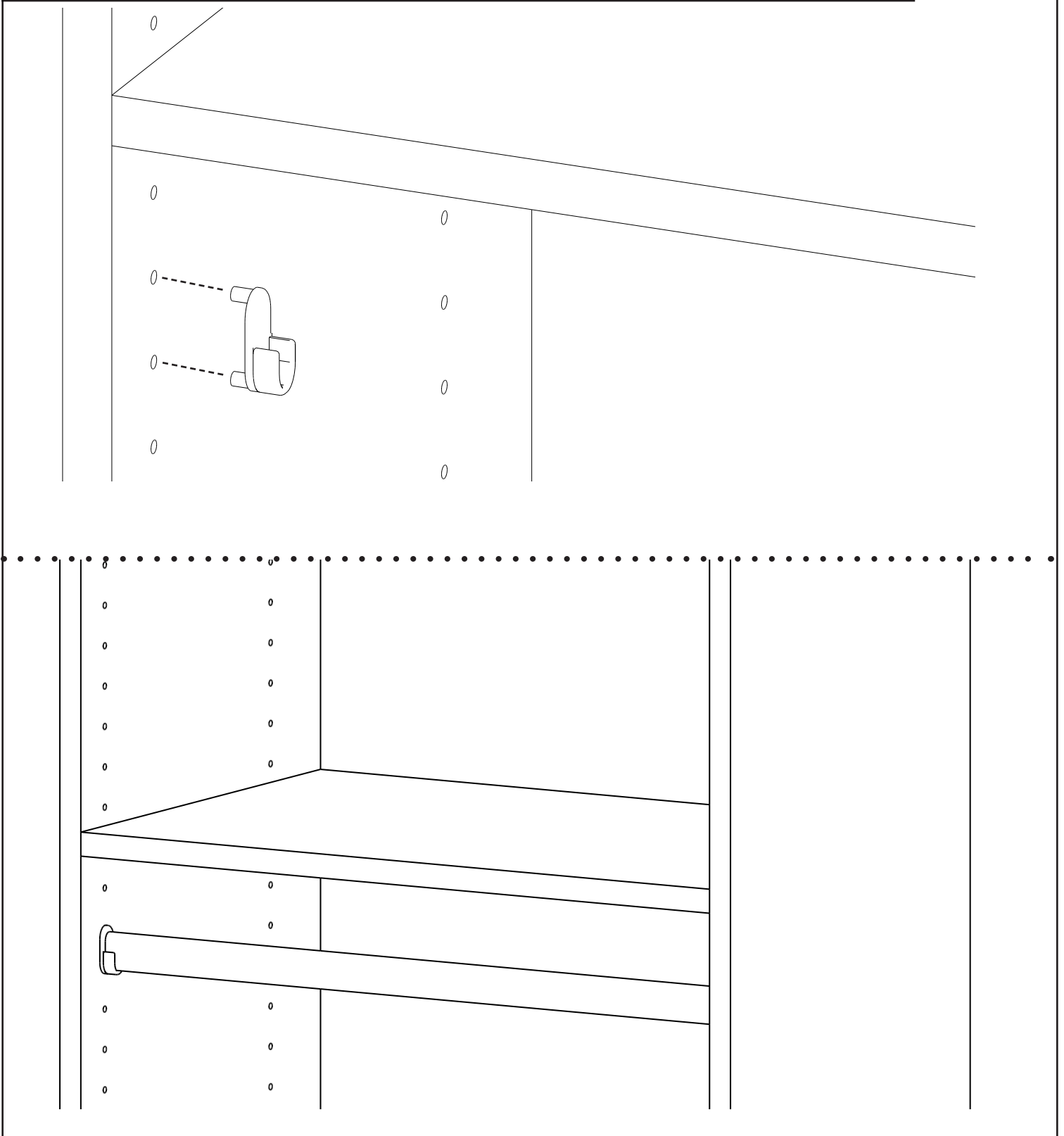
12th hole  
including  
the  
top.  
(Suggestion  
only)





## Step 2

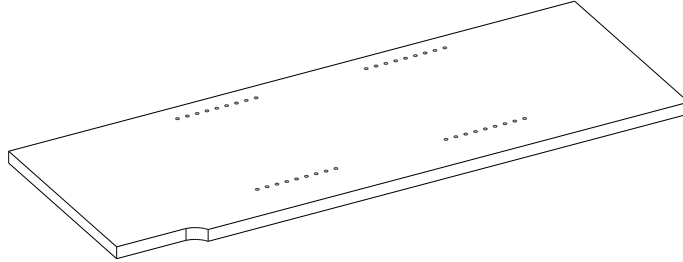
Connect the rod flanges on either side and insert shelf rod



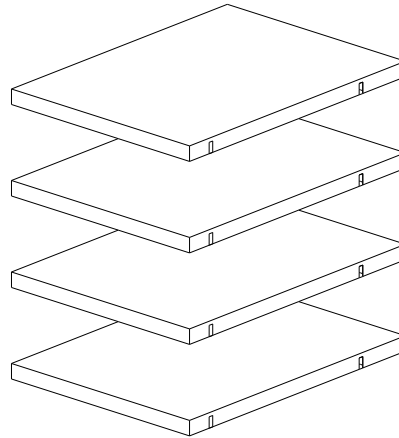
Cubbies assembly

Boxes needed

ALT-CIN  
Alto cubby insert pack



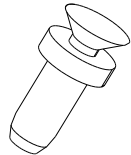
ALT-CIN  
Alto cubby shelf pack



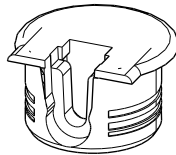
Hardware Packs Needed

ALT-HRDP- CIN

Push Dowel  
x8



Wedgefix  
x16



Screw Dowel  
x8

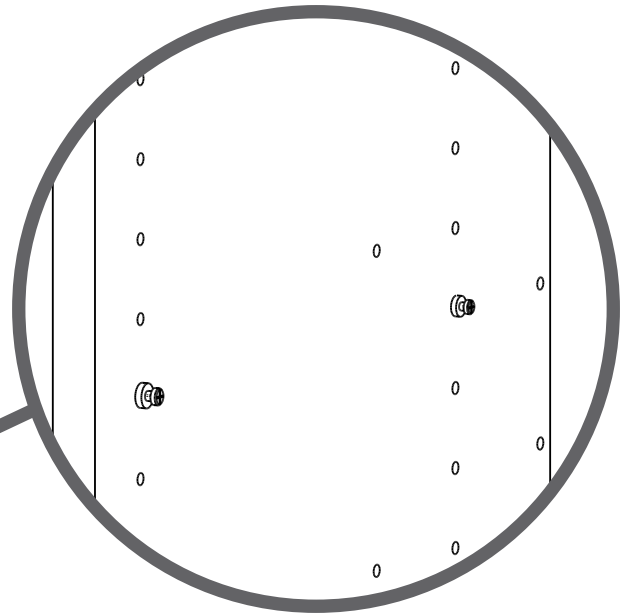
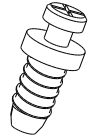




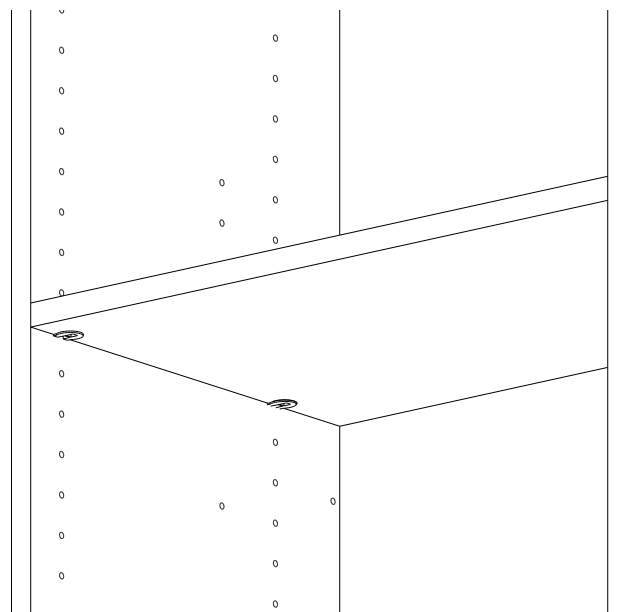
### Step 1

Start by inserting the middle shelf by inserting Screw Dowels as shown and securing the shelf with the rafixes

Screw Dowel  
x4



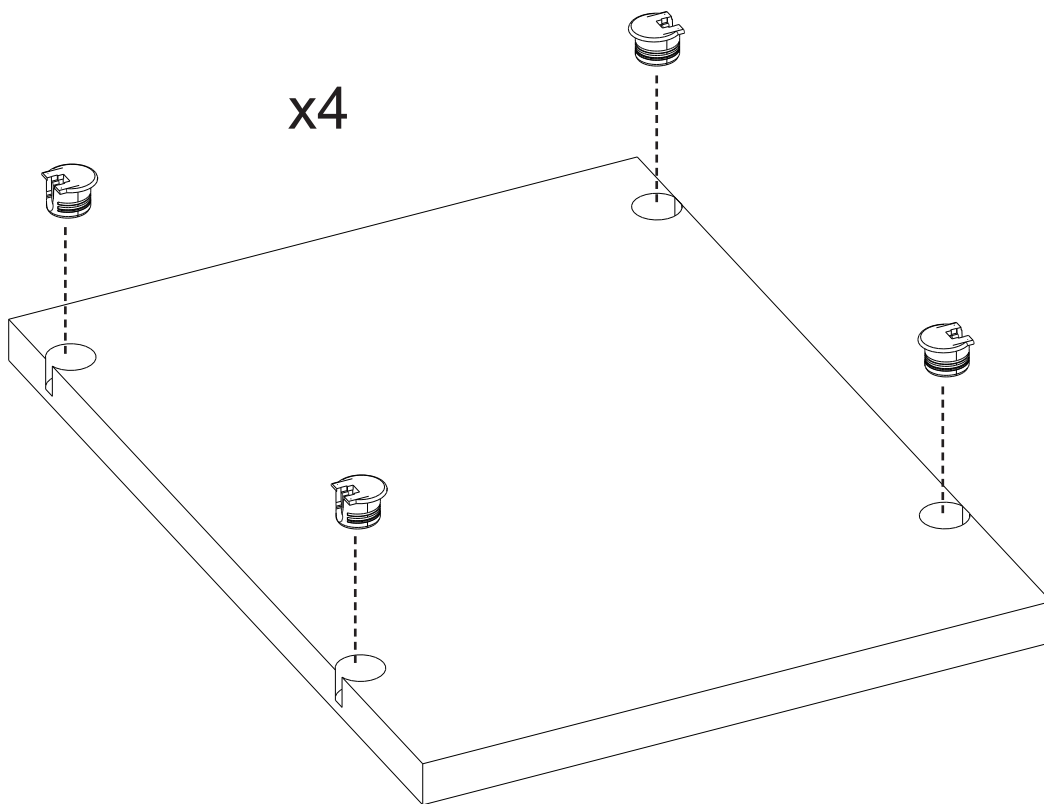
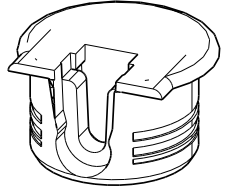
Holes are on  
same level  
with top of  
cleat holes



## Step 2

Insert Wedgefix hardware in to all 4 cubby shelves

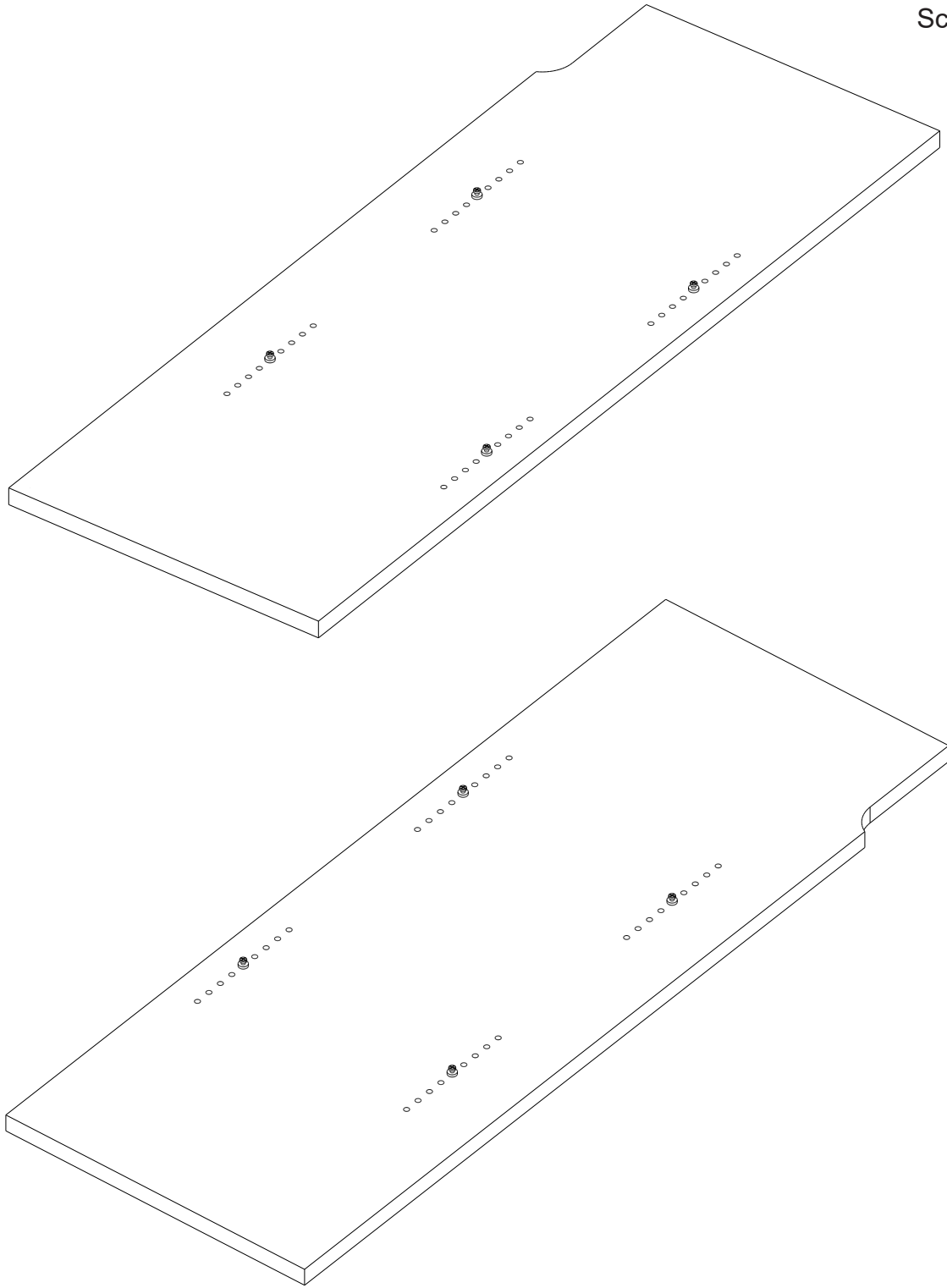
Wedgefix  
x16





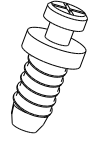
### Step 3

Insert Screw Dowels on each side of the cubby insert



Screw Dowel

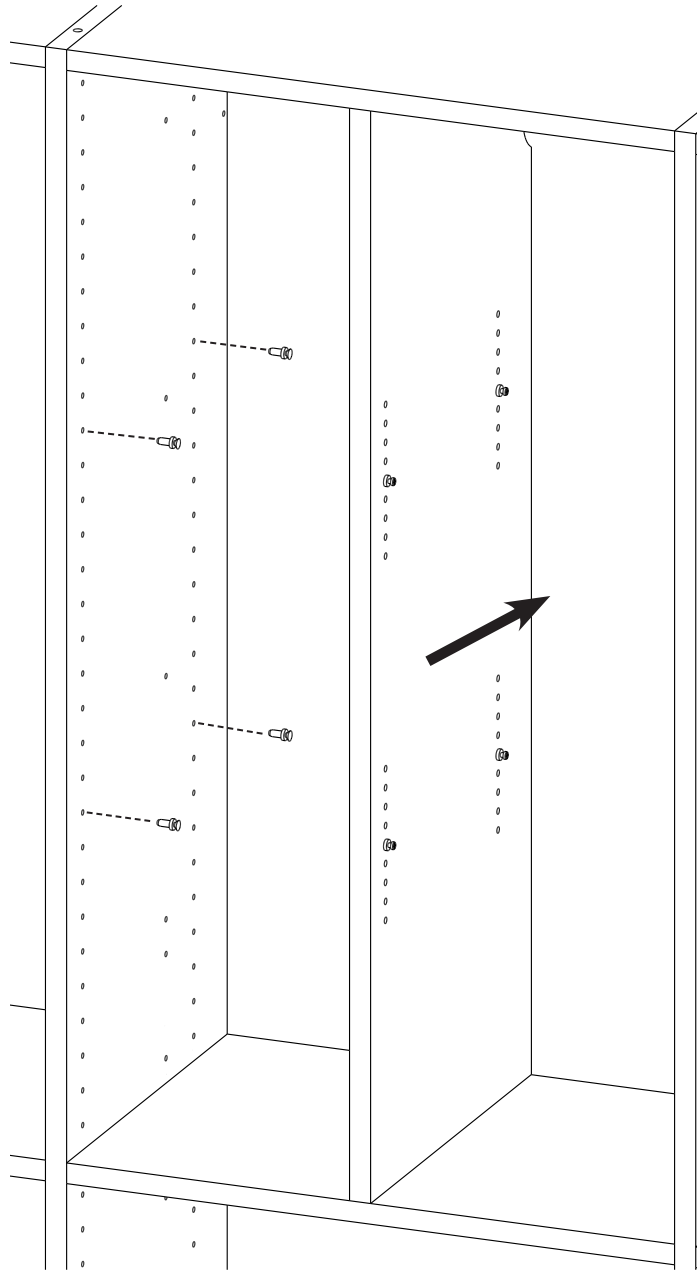
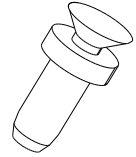
x8



### Step 4

Slide in the cubby insert (for bottom half of base unit simply flip over so cut out goes over bottom cleat) and insert the Push Dowels parallel to Screw Dowels.

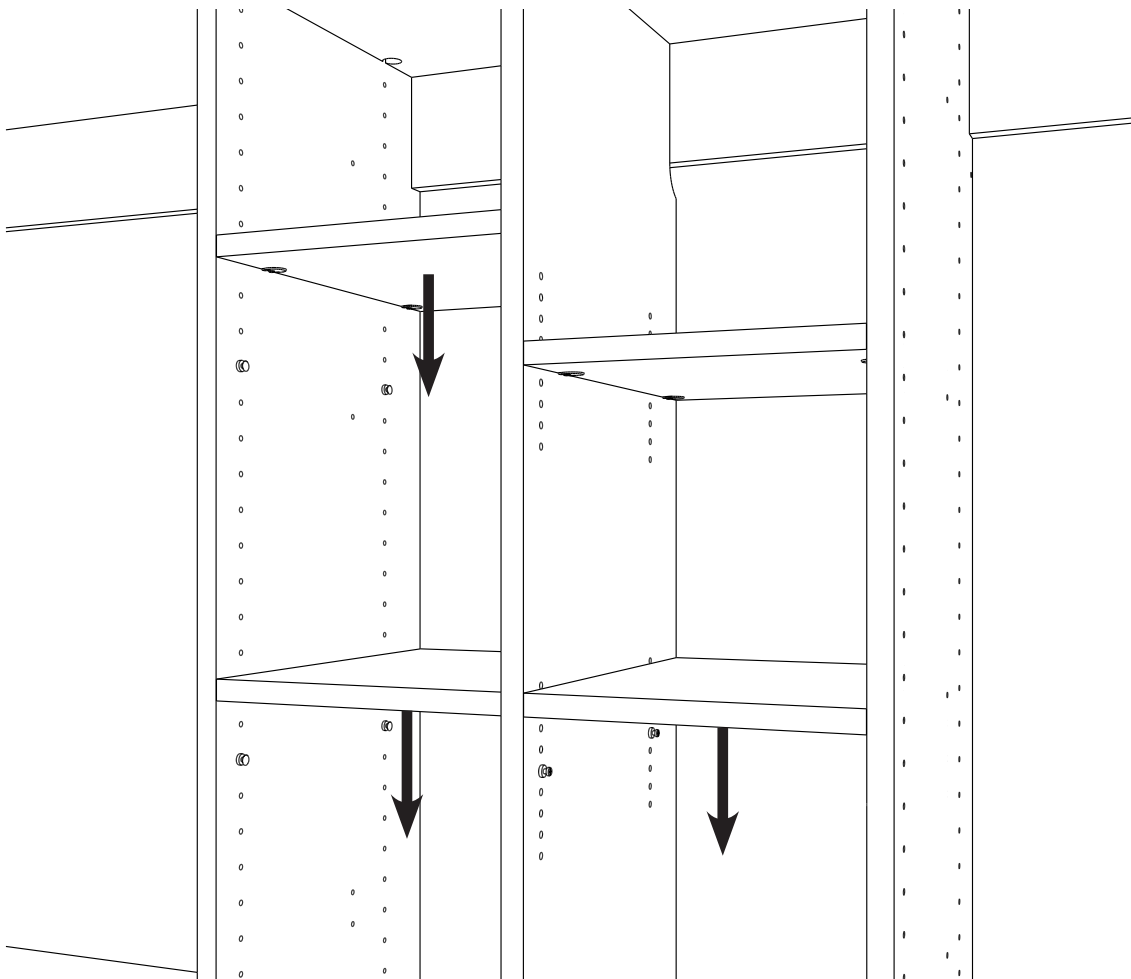
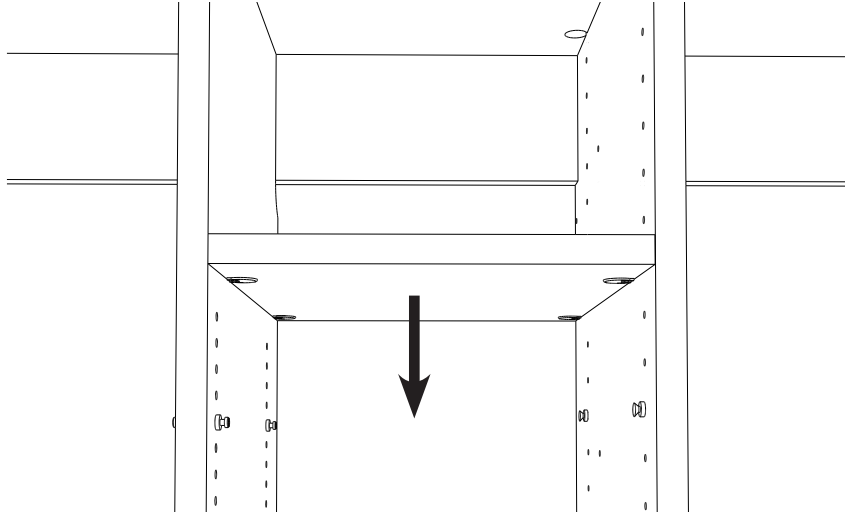
Push Dowel  
x8





### Step 5

Starting with the top right shelf simply click in each shelf as shown.

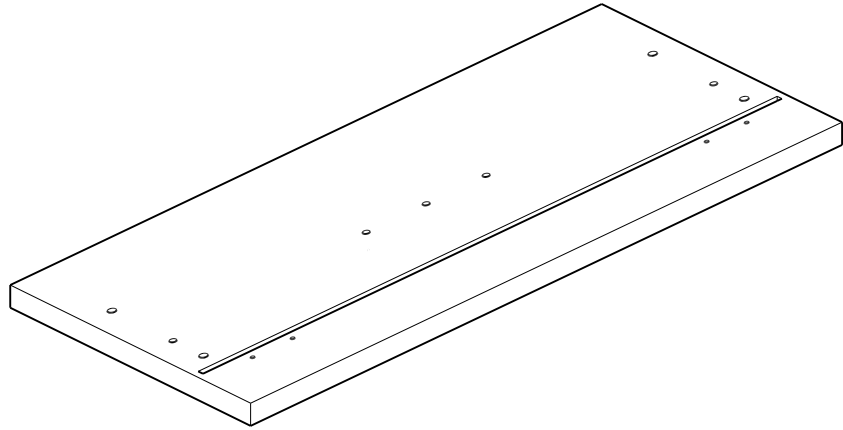


Drawer assembly

Boxes Needed

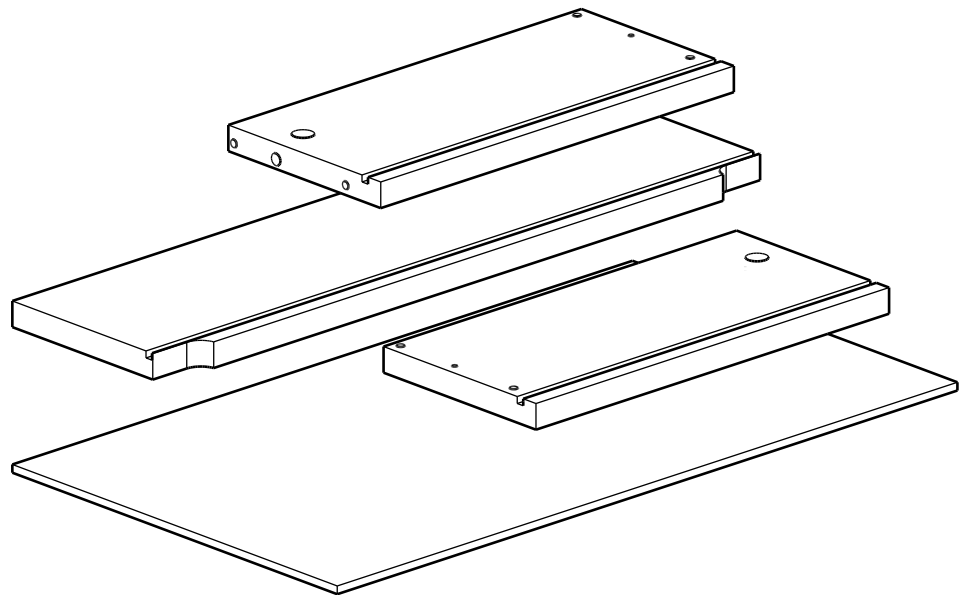
ALT-DF  
Alto Drawer Front  
OR  
ALT-DFS  
Alto Small Drawer Front

*(There are 1 pack and 2 pack boxes)*



ALT-DB  
Alto Drawer Boxes  
OR  
ALT-DBS  
Alto Small Drawer Box

*(There are 1 pack and 2 pack boxes)*

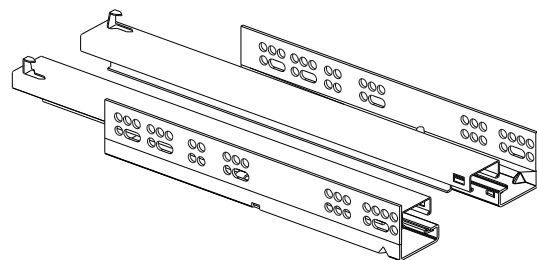


**Tools Needed**

Philips Screw Driver

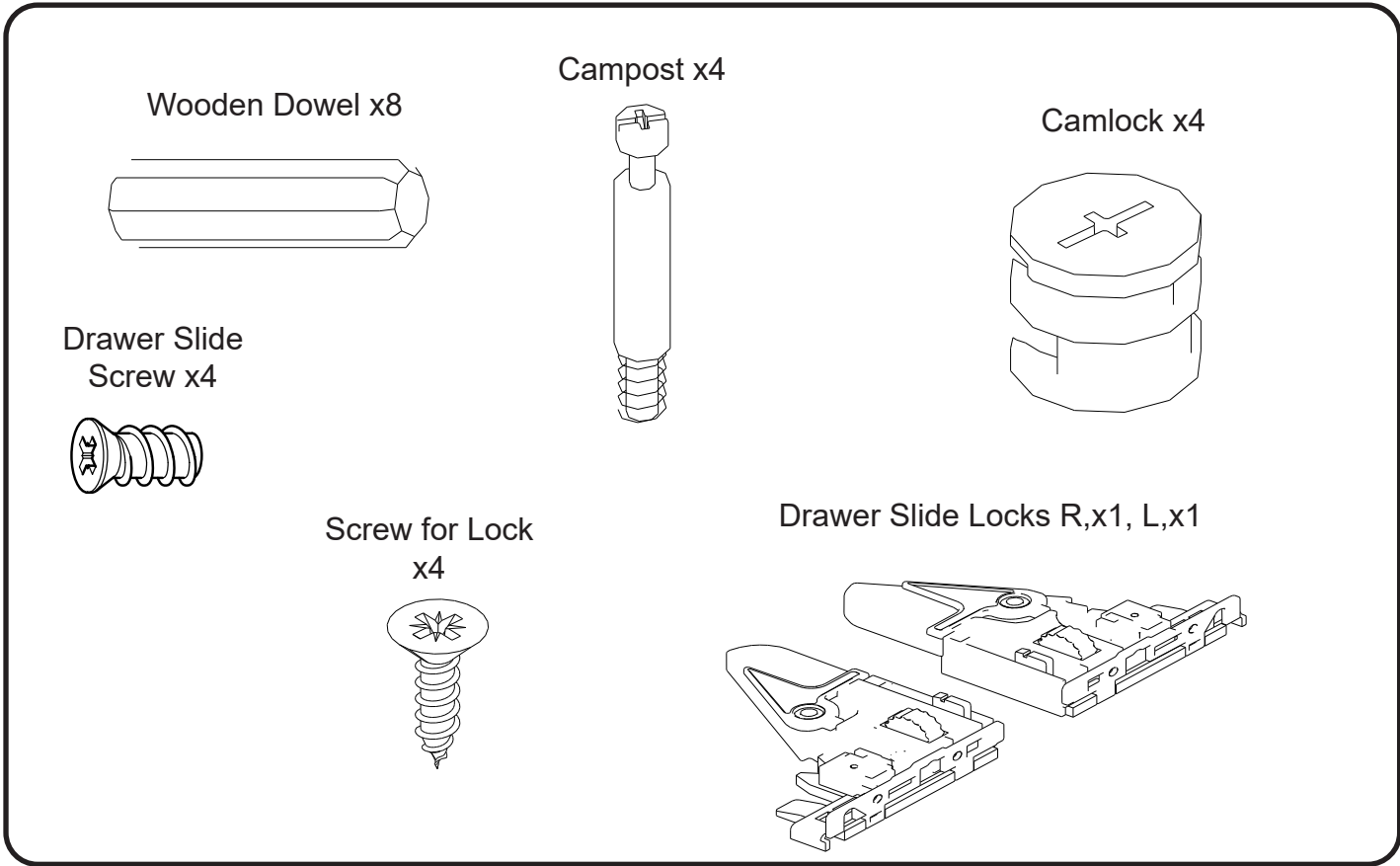


Drawer Slides (separate box)

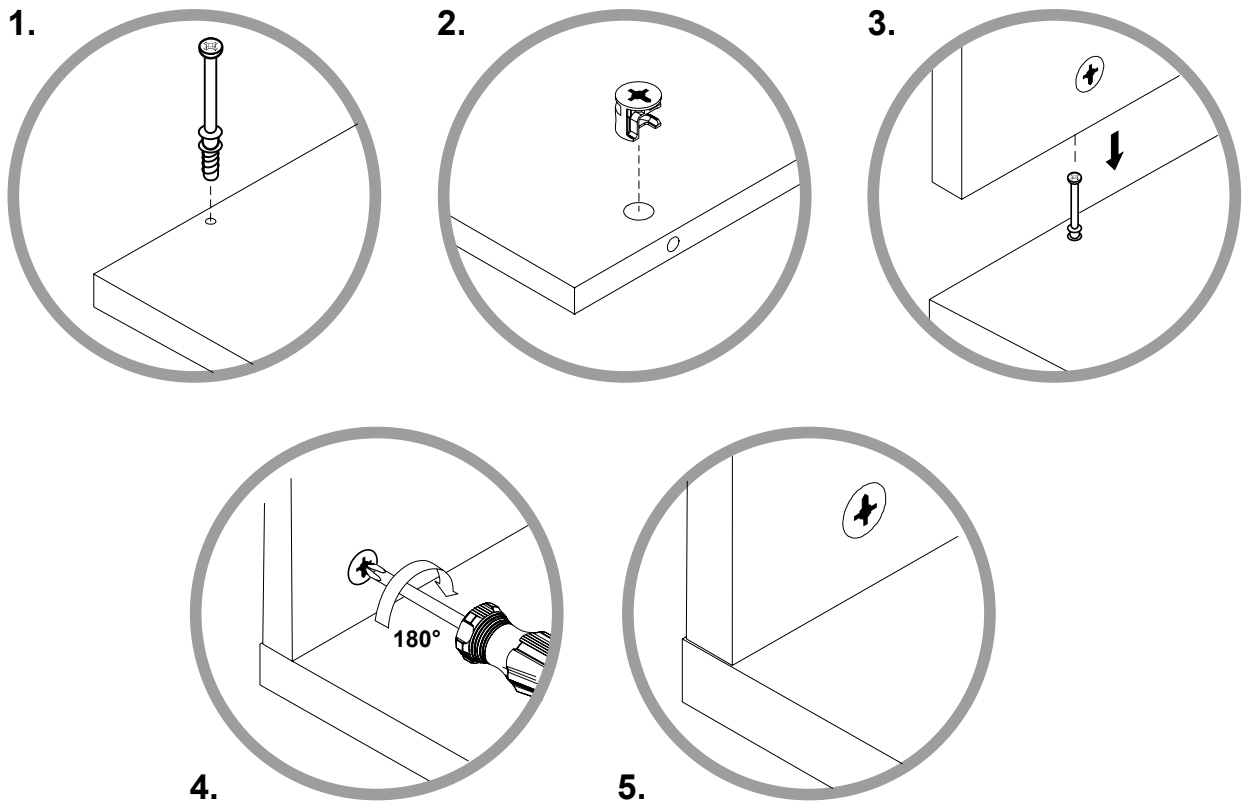




### Hardware Packs Needed ALT-HRDP-DB

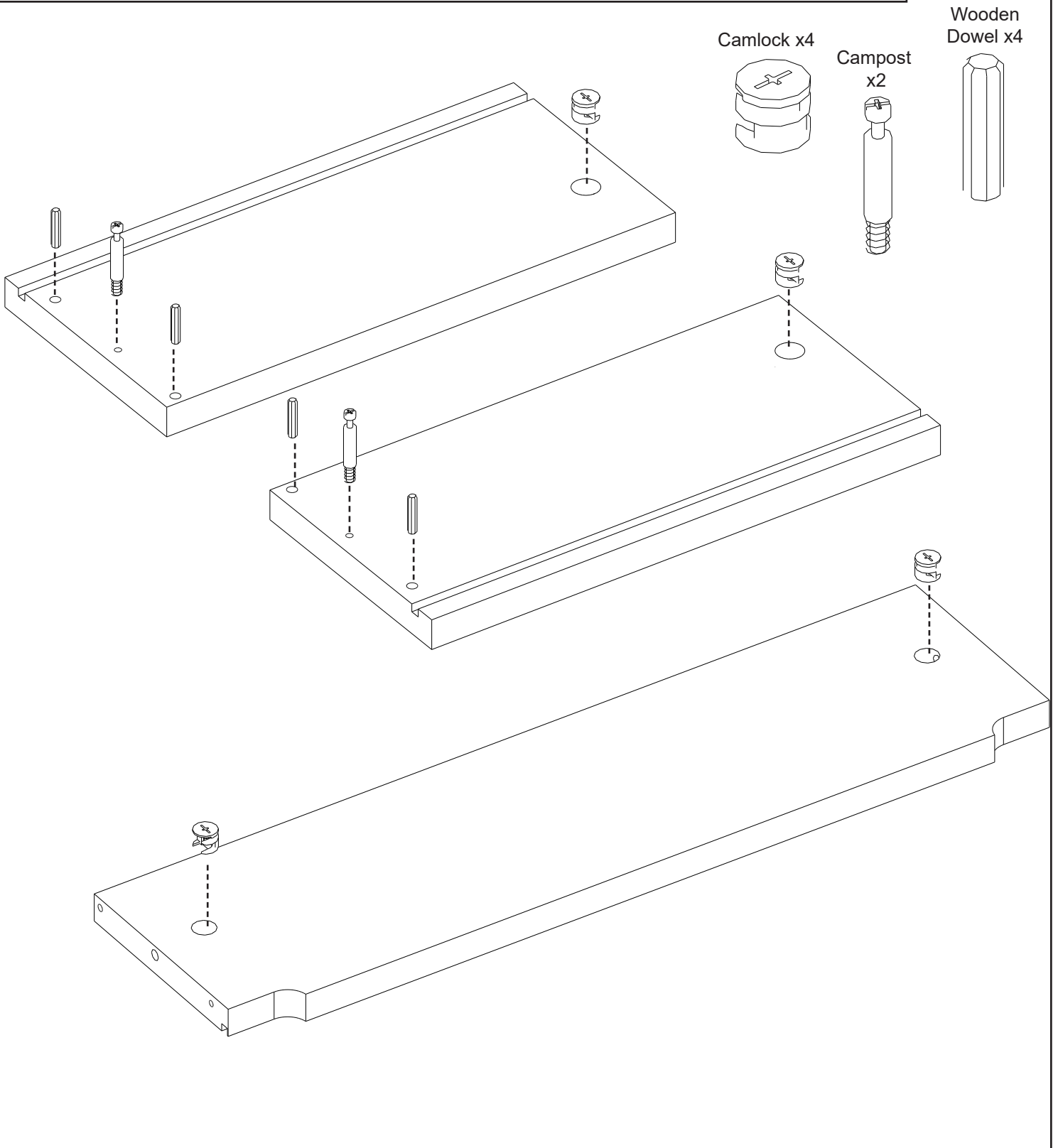


How to use the Cam lock system



### Step 1

Removing the parts from ALT-DB(s), insert cam locks, cam posts and wooden dowels in the drawer sides and back as shown below.

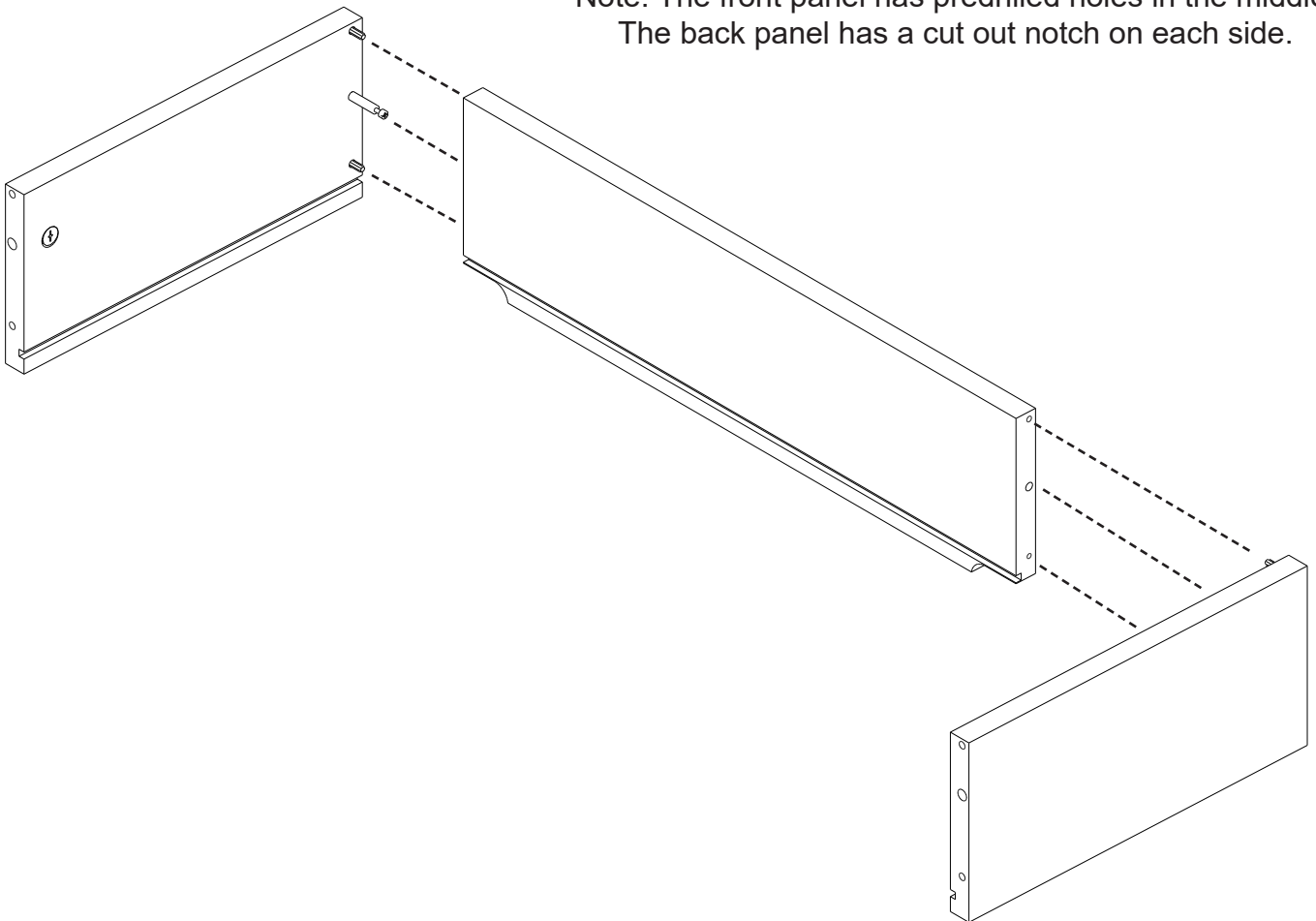




## Step 2

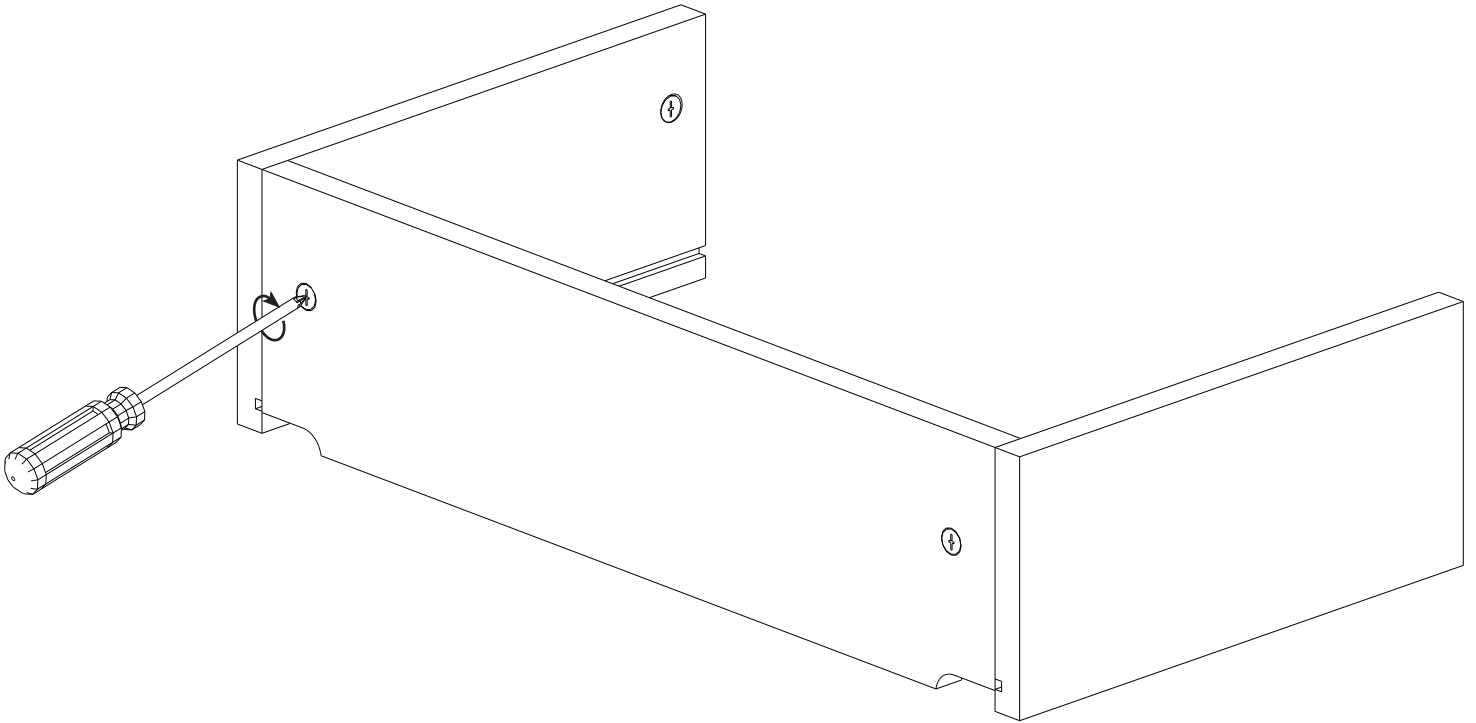
Connect the side panels to the back.

Note: The front panel has predrilled holes in the middle.  
The back panel has a cut out notch on each side.



### Step 3

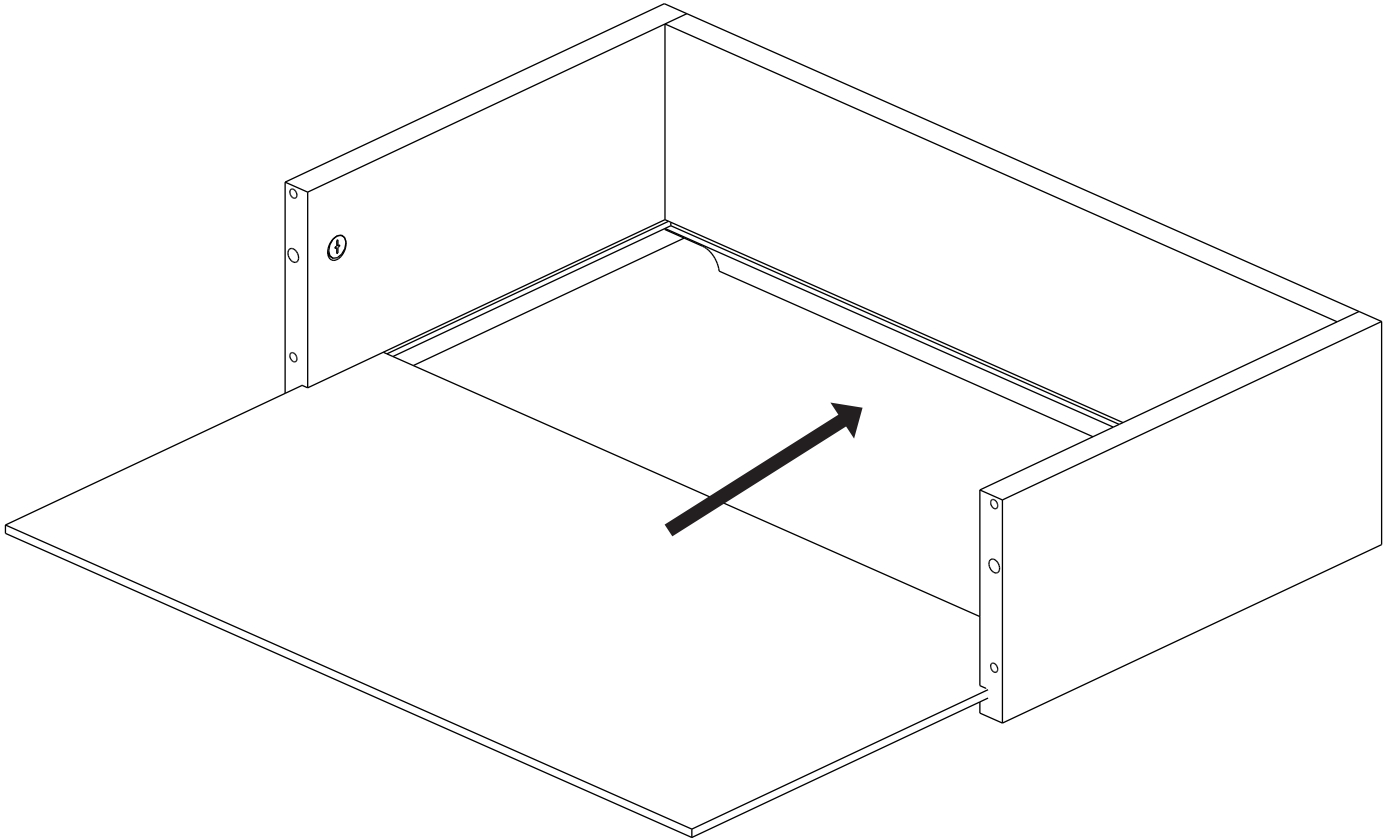
Tighten both cam locks by turning them 180°.





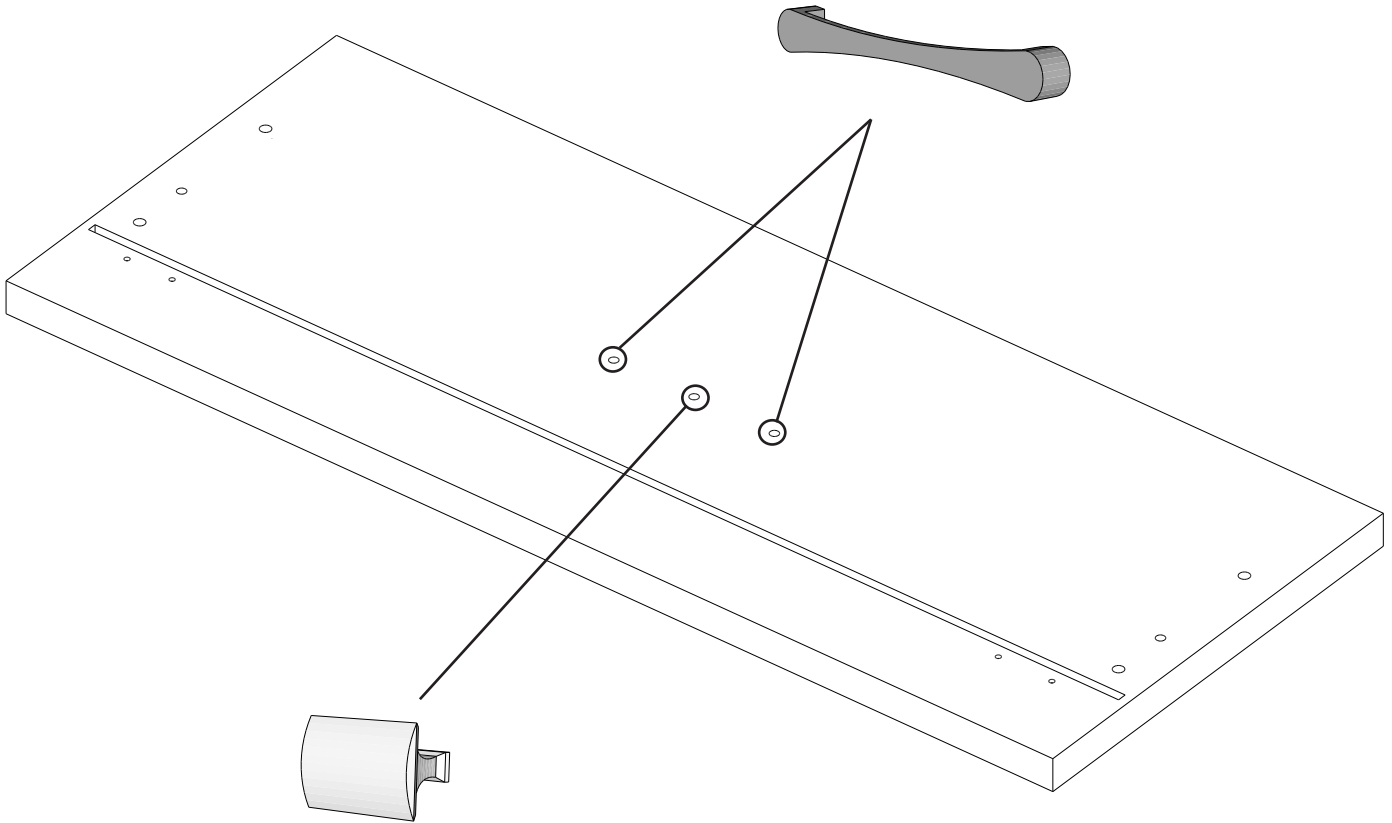
### Step 4

Slide the drawer bottom into the groove.



### Step 5

Using the parts from ALT-DF, if using a bar pull, drill a hole through the two outside guide holes. If using a knob, drill a hole through the middle guide hole.





### Step 6

Insert Wooden Dowels and Camposts into drawer front as shown below. Carefully, push Wooden Dowels into slots without tools.

Campost  
x2

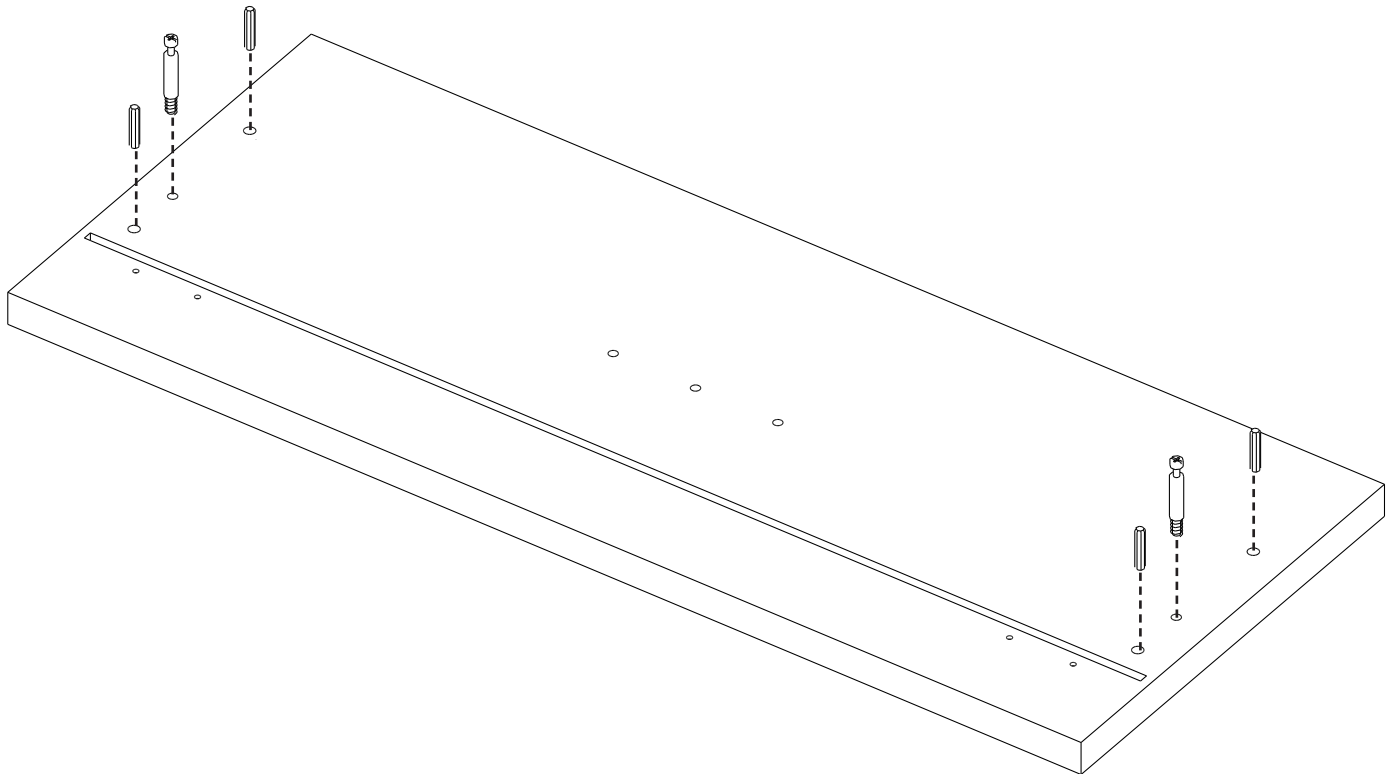


Wooden Dowel  
x4



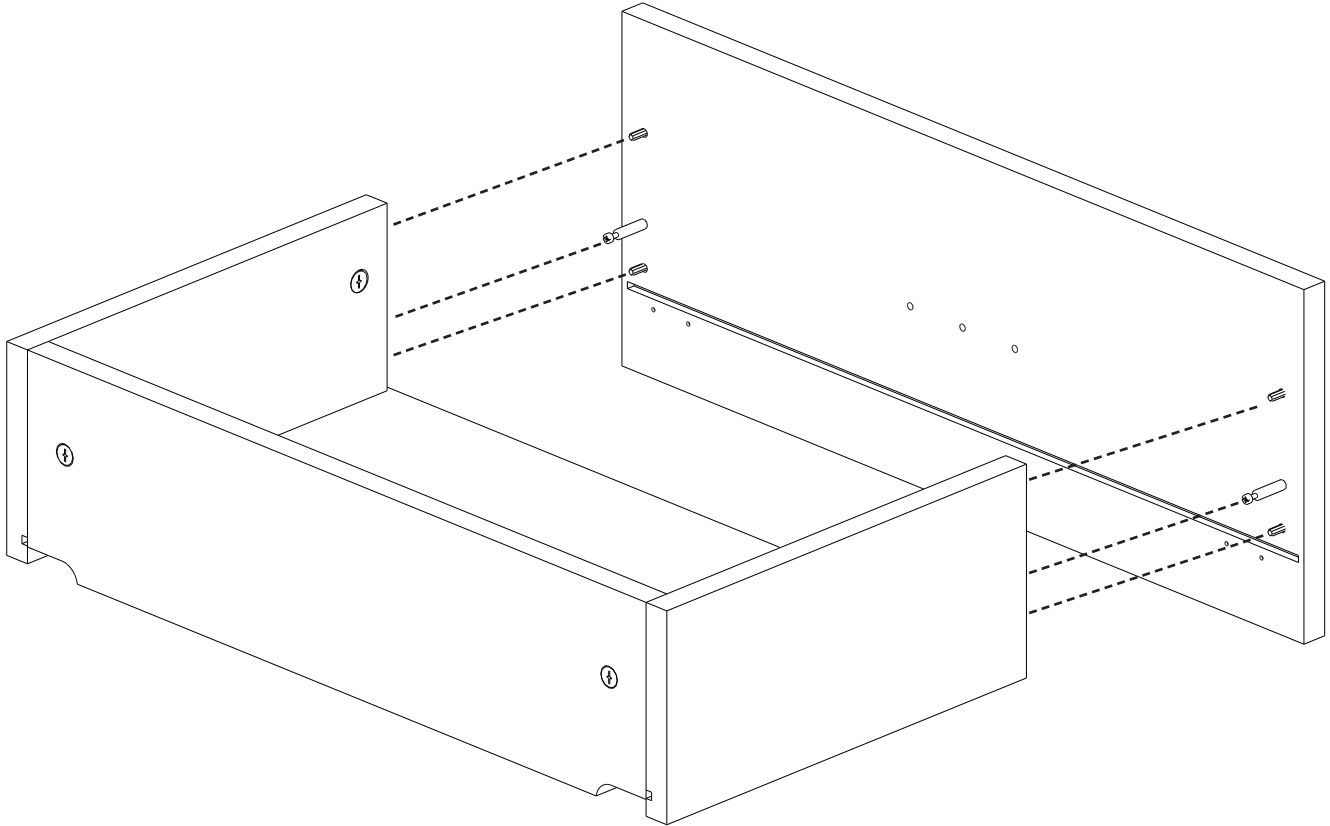
**WARNING:**

Wooden Dowels can break and ruin front side of face if inserted with excessive force. Insert slowly.



## Step 7

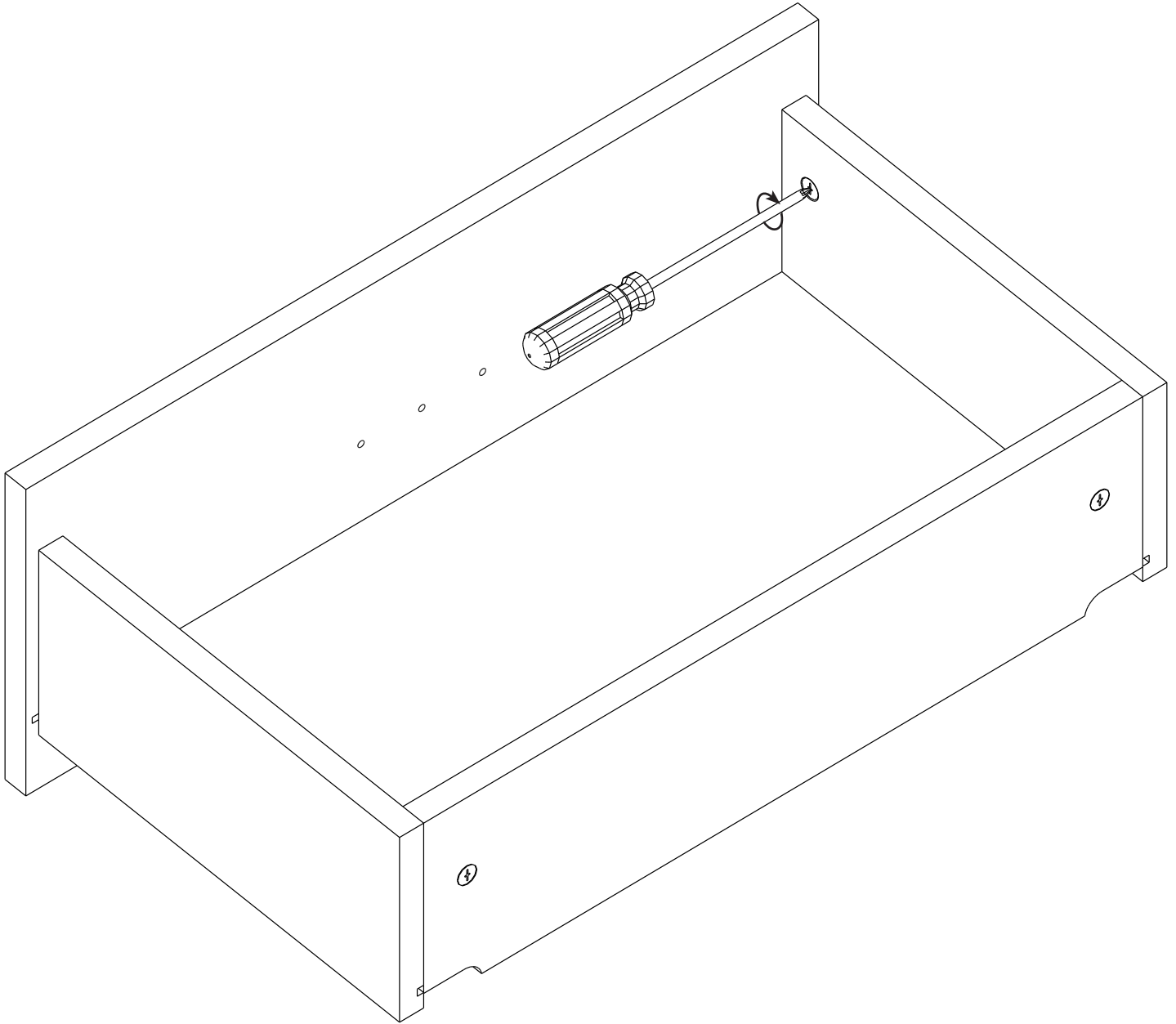
Connect drawer front to drawer box.





### Step 8

Tighten cam locks on both sides.

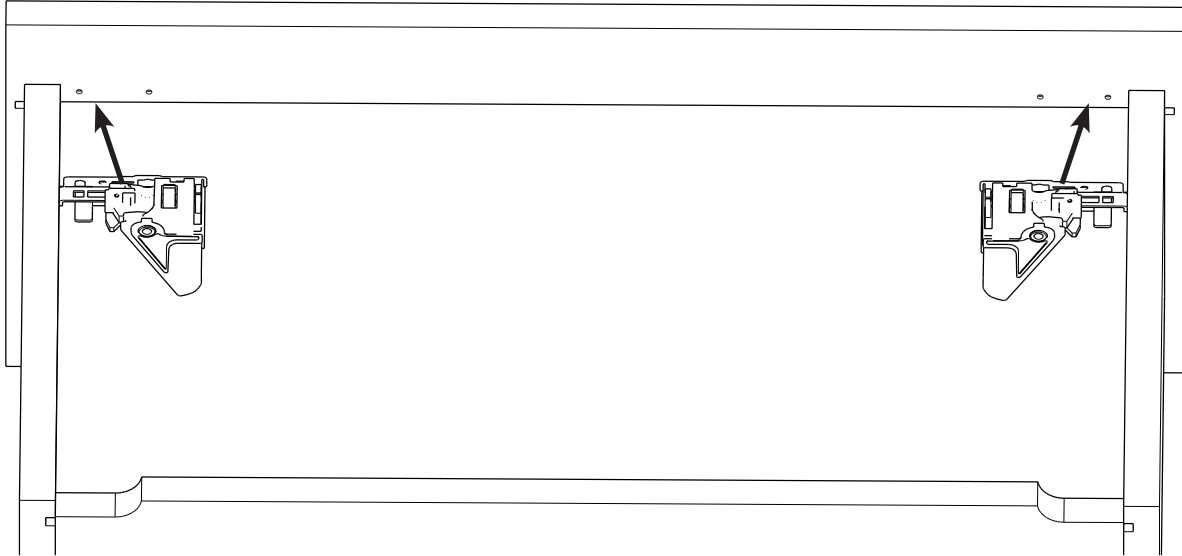
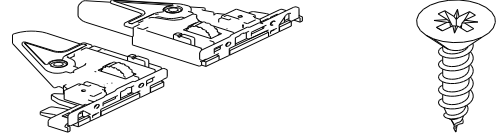


## Step 9

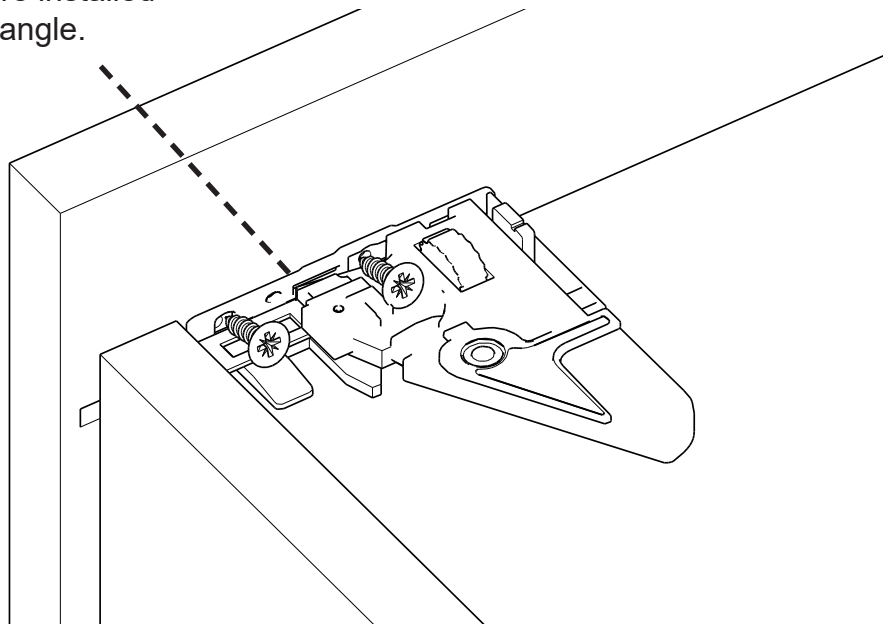
Flip over the drawer and put the lock for slides in each corner and screw in as shown. Repeat steps 2 - 9 for all drawers.

Drawer Slide Lock R,x1, L,x1

Screw for Locks x4



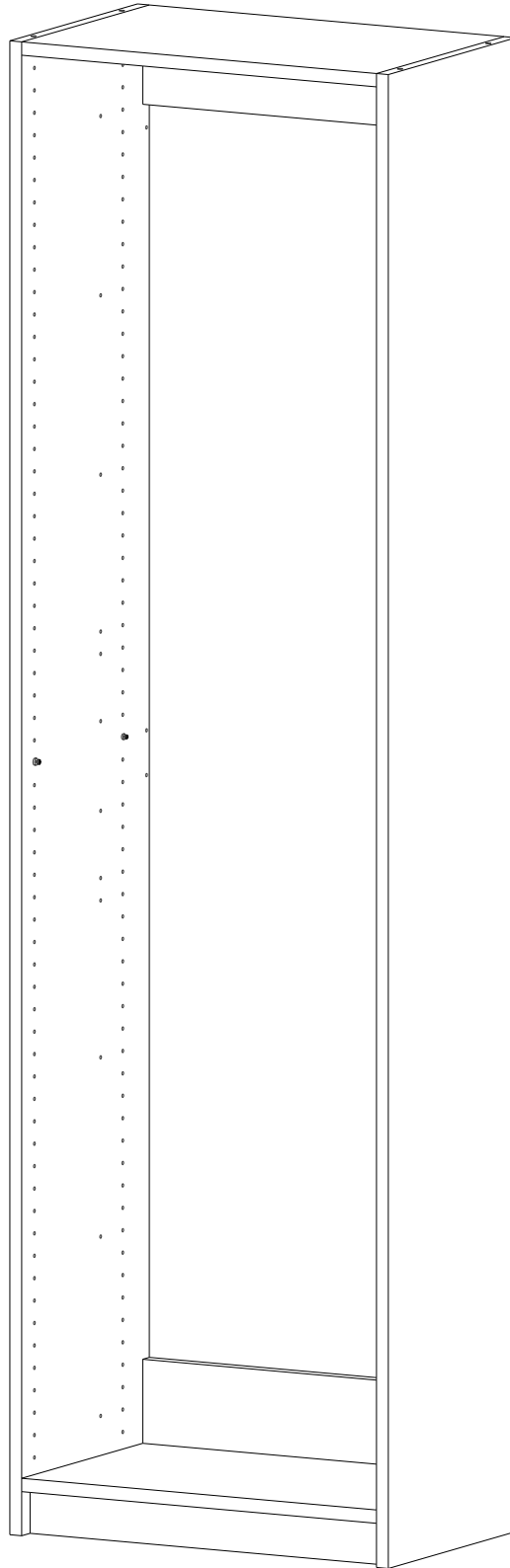
Note: Screws are installed at a slight angle.





### Step 10

Ensure there is no middle cleat in the current Alto Tower. If there is, unscrew and remove it.

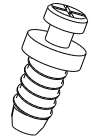


### Step 11

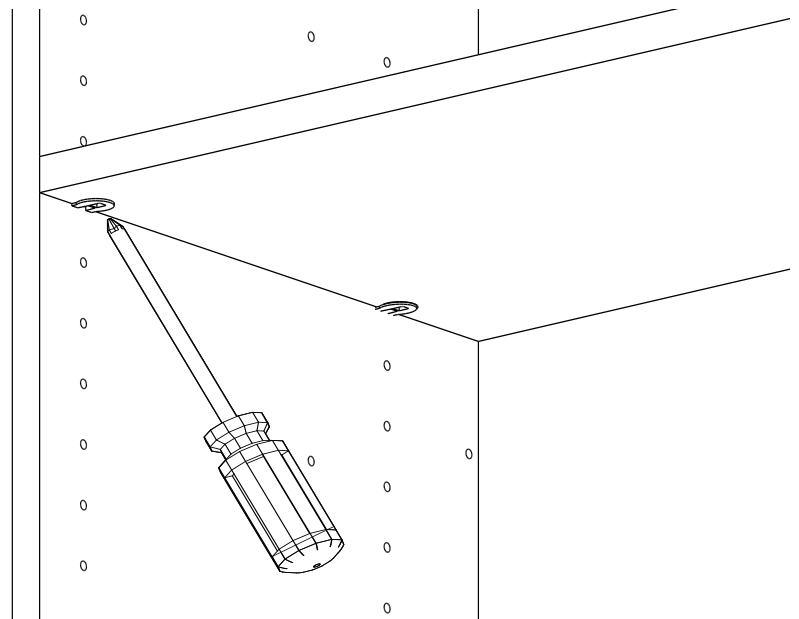
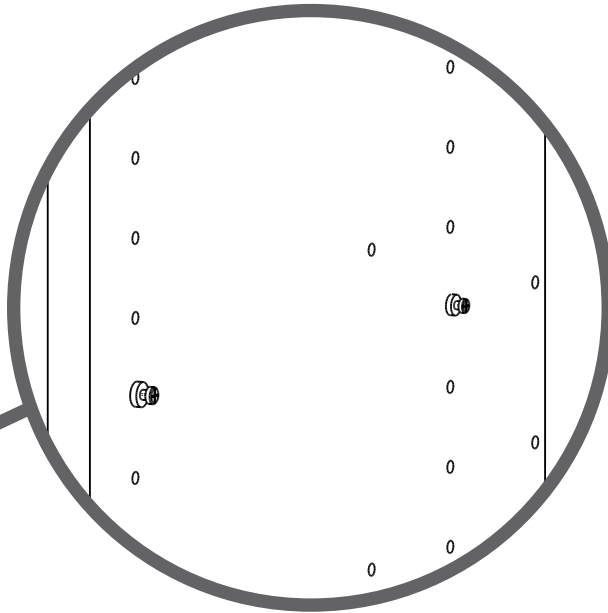
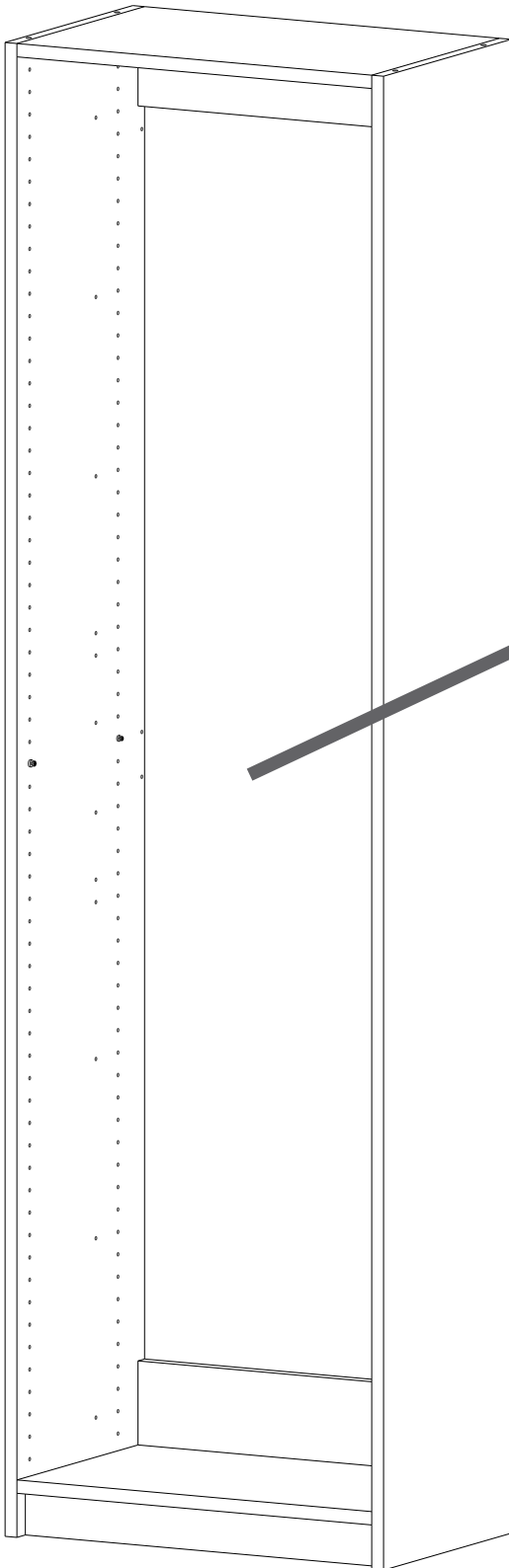
For drawer tower, the middle cleat in the tower must be removed if not already. Insert screw dowels into position and insert fixed shelf. Tighten Rafix hardware to secure shelf into place.

Screw Dowel

x4



Holes are on same level with top of cleat holes

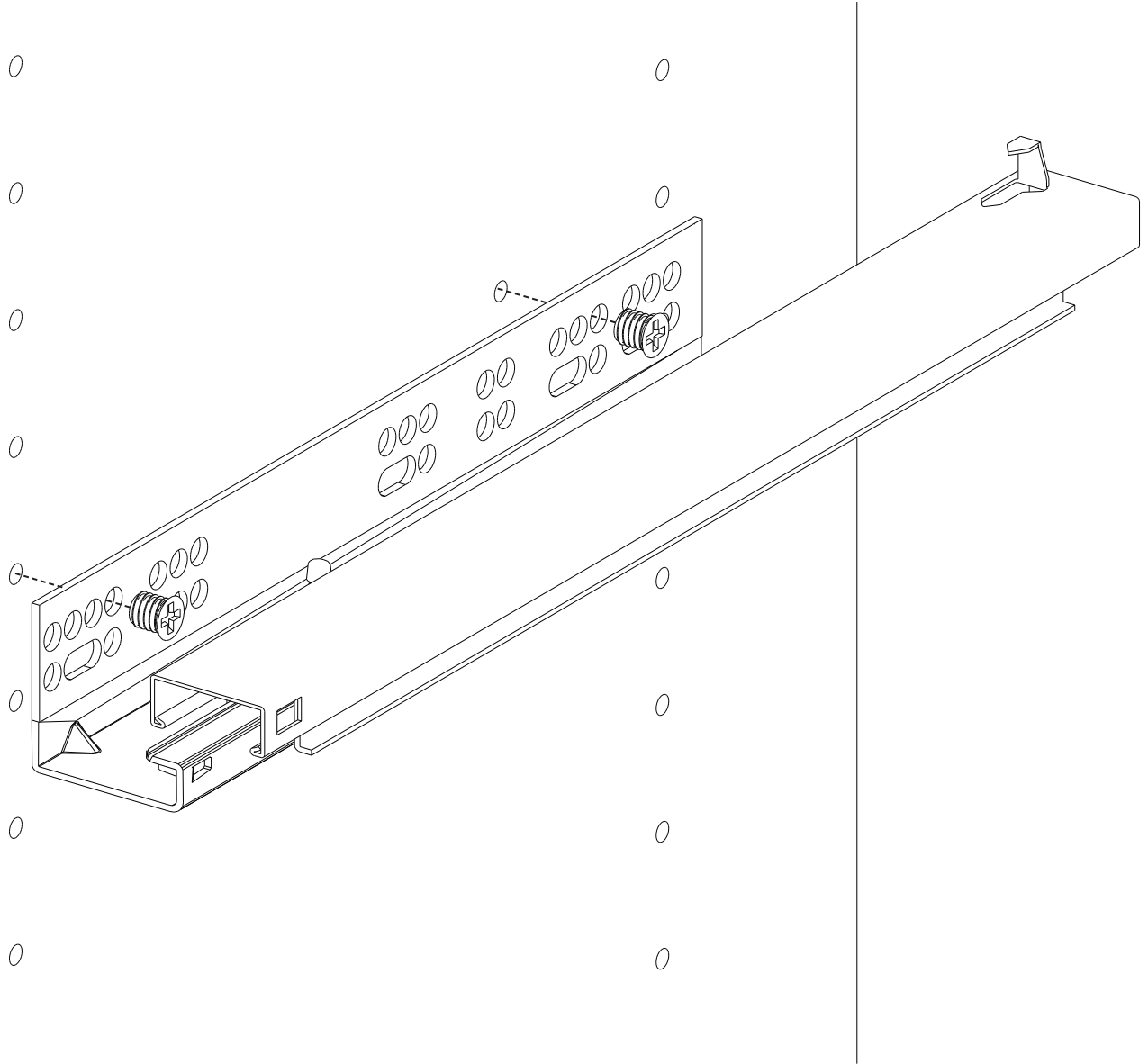




### Step 12

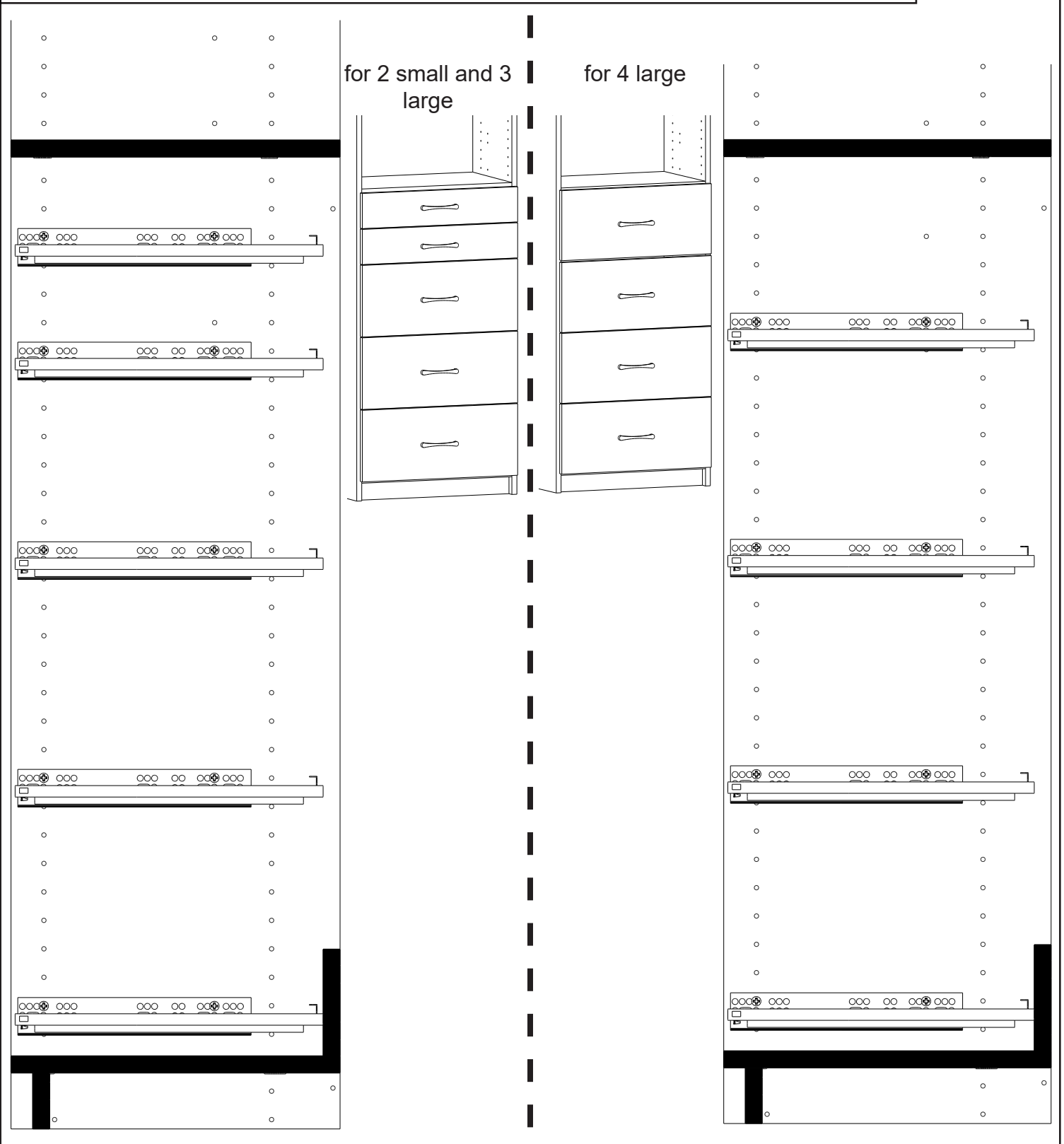
Attach the Drawer Slides on either side as shown

Drawer Slide  
Screw x4



### Step 13

Repeat for remaining drawer slides. Please note the different placements for the 4 drawer and 5 drawer configuration as shown below.

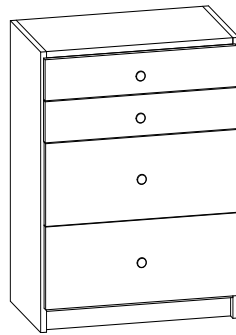




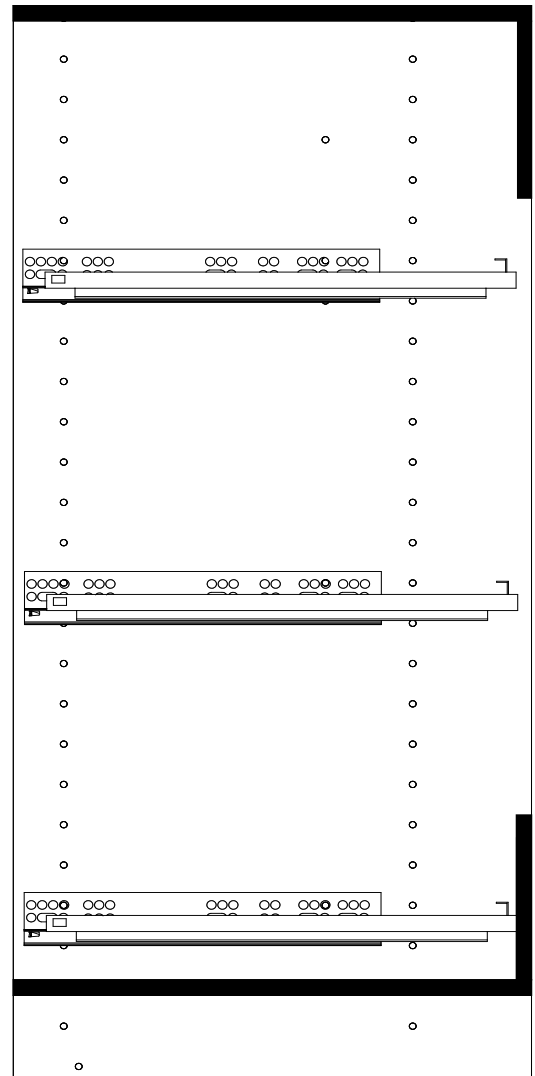
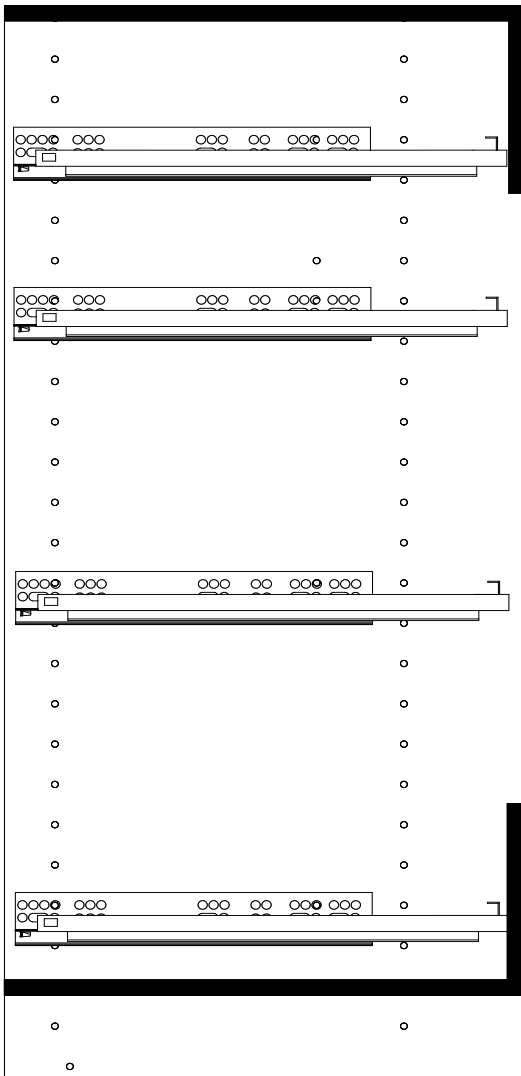
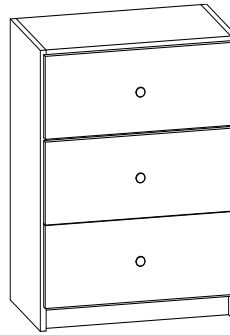
### Step 13b (Short Tower Only)

Repeat for remaining drawer slides. Please note the different placements for the 4 drawer and 5 drawer configuration as shown below.

for 2 small and 2 large

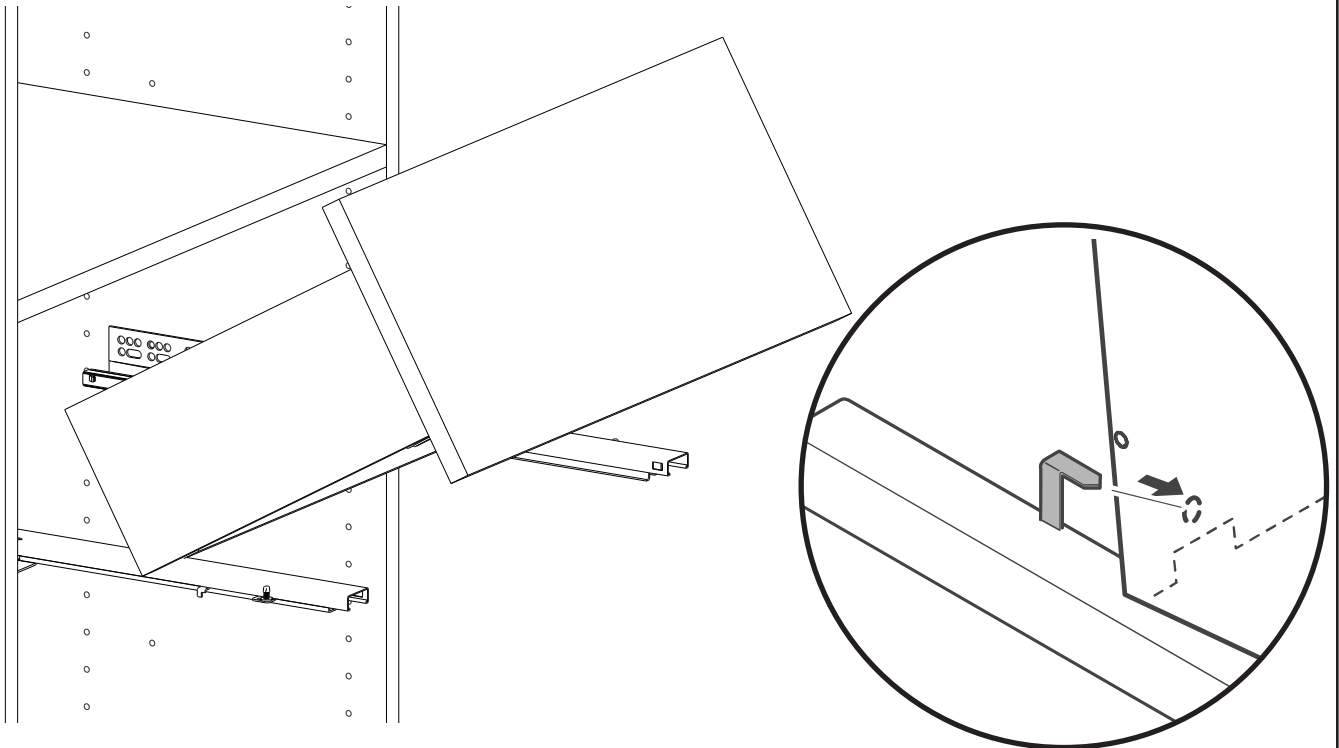
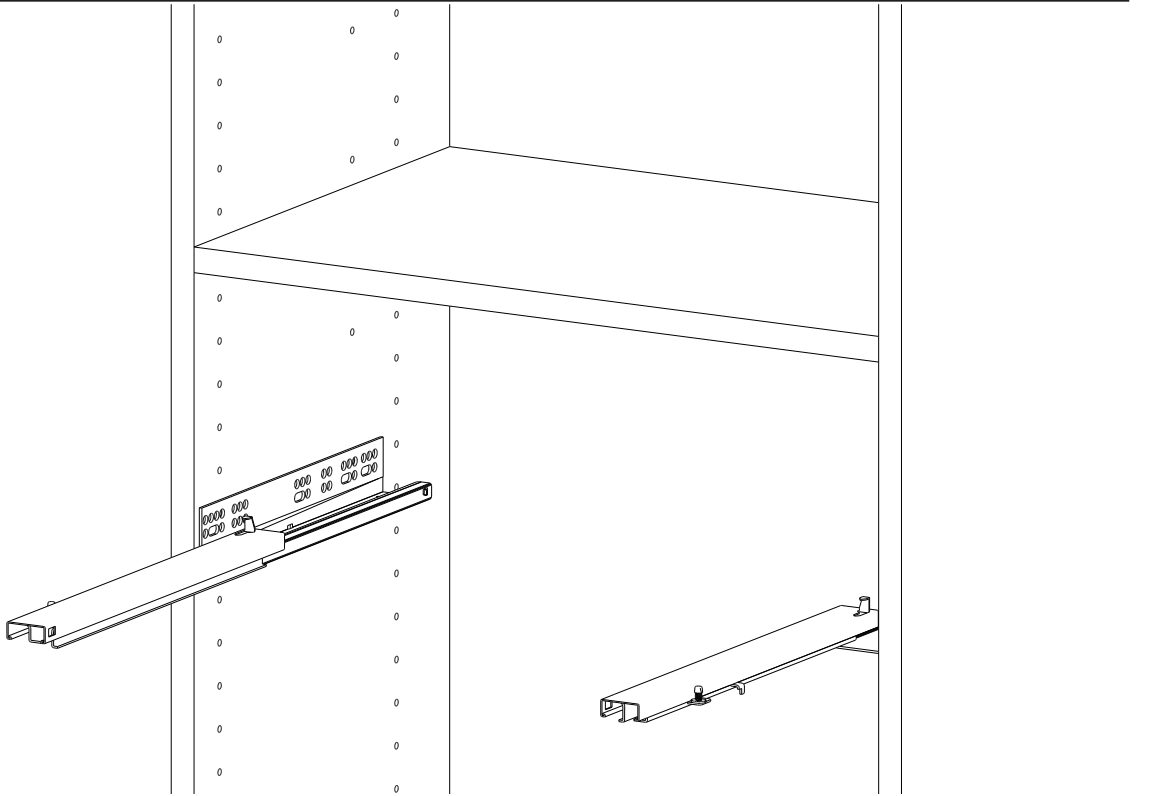


for 3 large



## Step 14

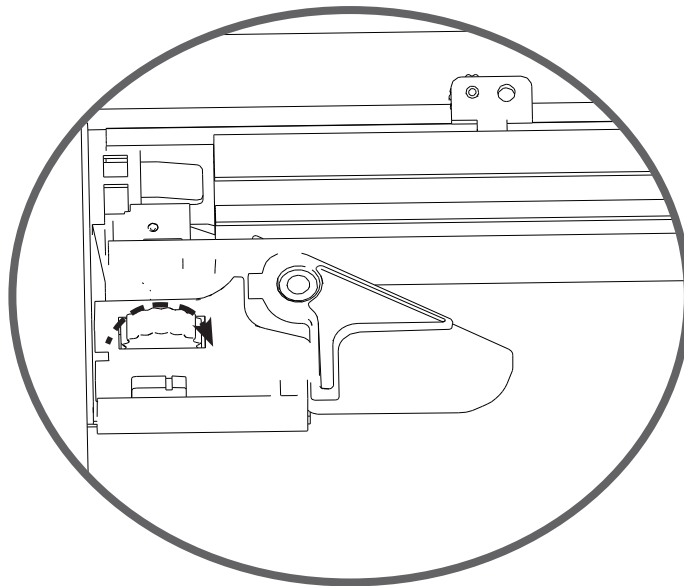
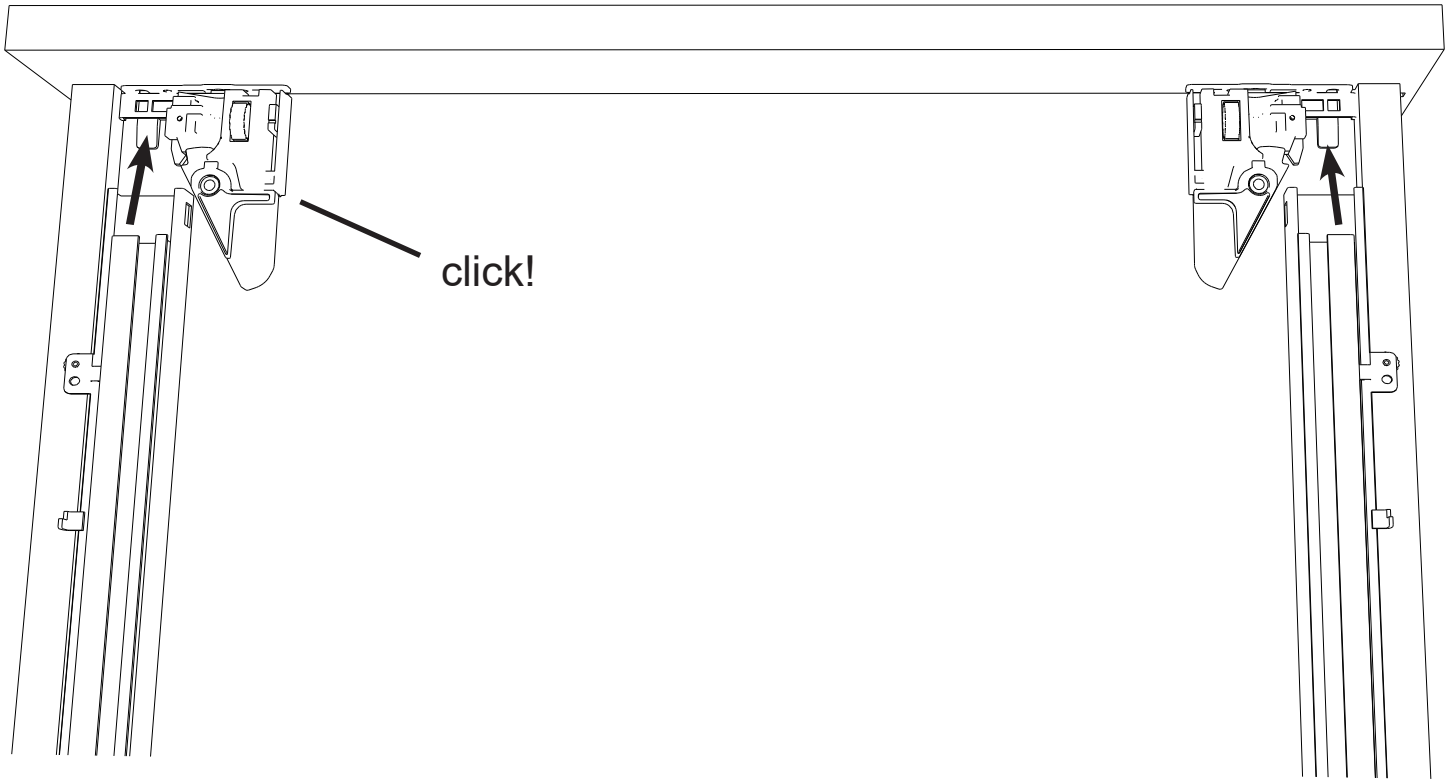
Start with the bottom drawer slide.  
Slide out the drawer slide and insert the drawer





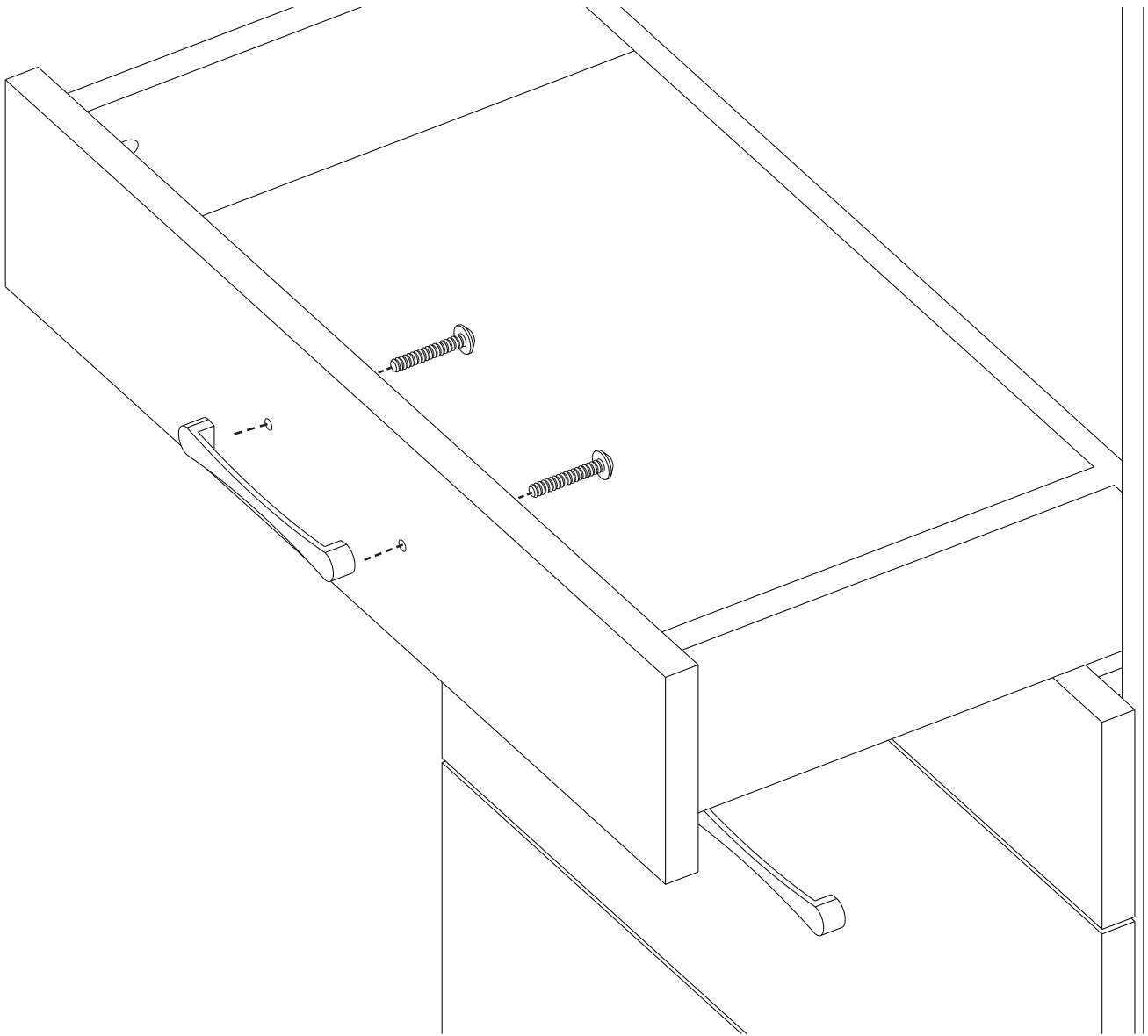
### Step 15

From the underside click the slides into the lock and secure by turning the dial. Repeat for all the drawers



**Step 16**

For drawer pull hardware, attach provided screws through the inside face of the drawer front and connect them to handle/knob. Repeat steps 13 - 15 for all drawers.

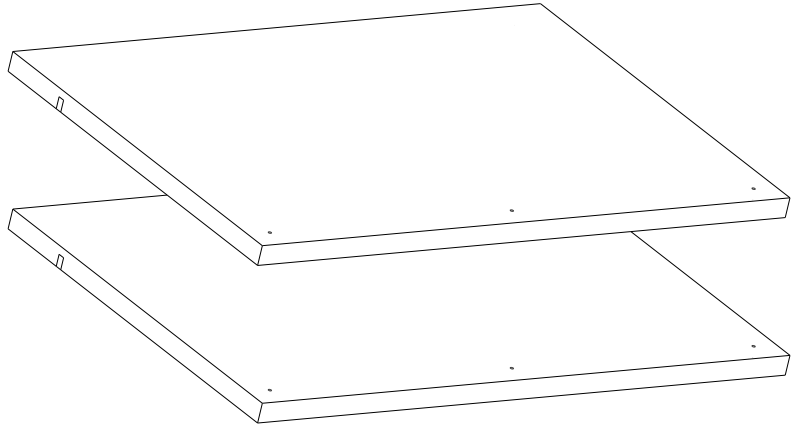




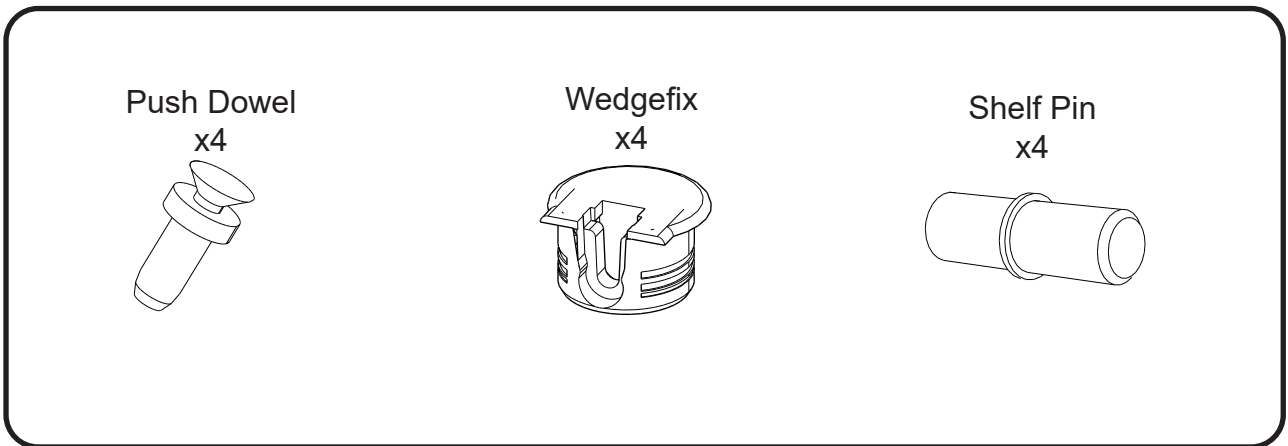
Slanted Shoe Shelf Assembly

Boxes Needed

ALT-SHS  
(2- Pack)



Hardware Packs Needed  
ALT-HRDP-SHS

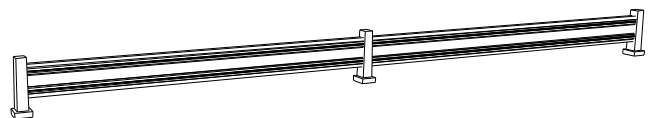


Tools Needed

Philips Screwdriver

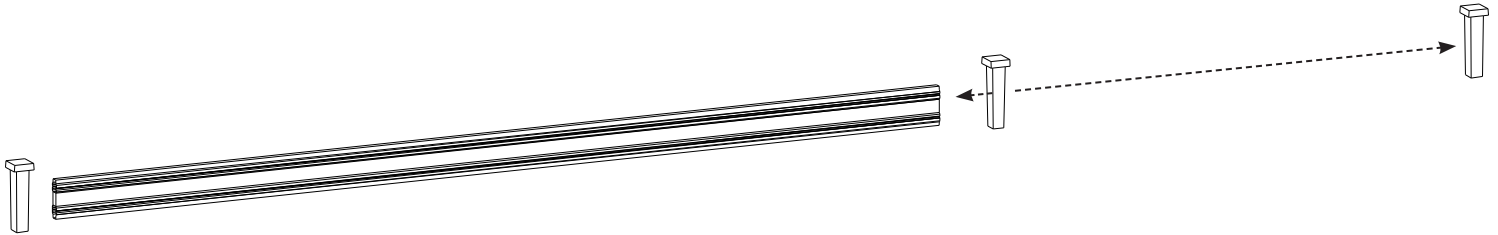


Shoe Rails (packed seperatly)

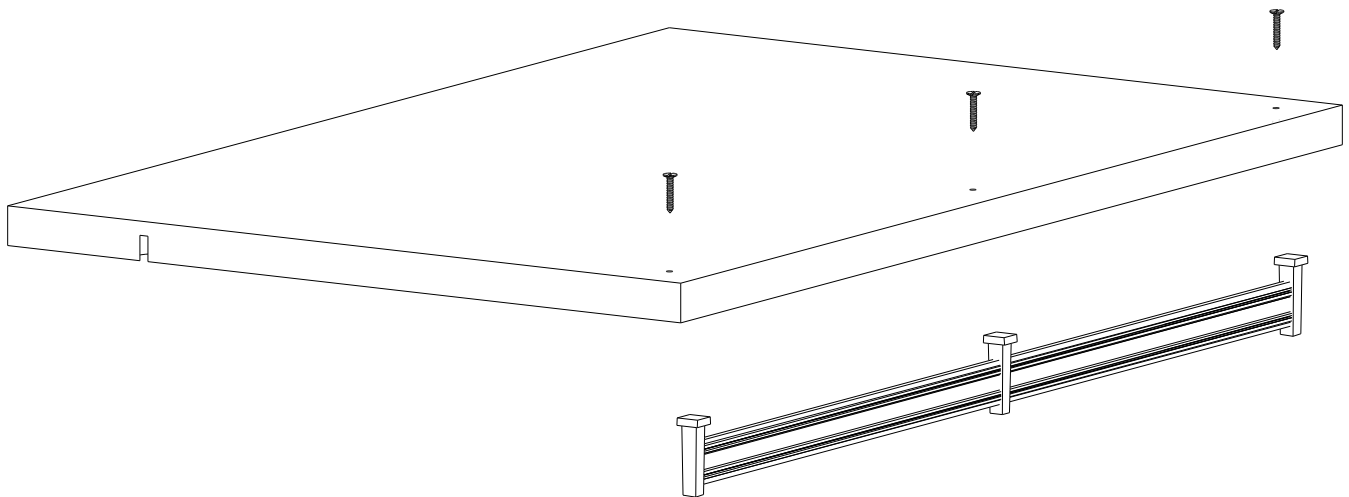


## Shoe Rail Instructions

Slide middle post through and side posts at the sides



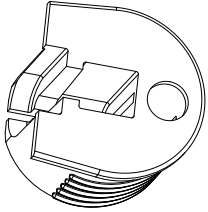
Screw in from the underside





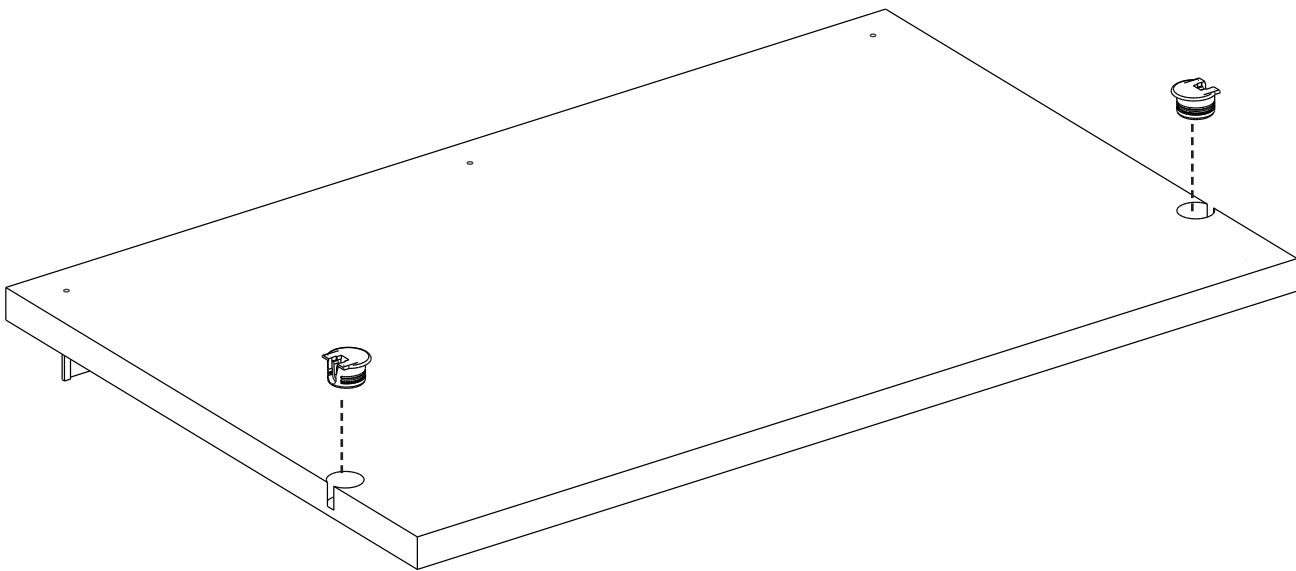
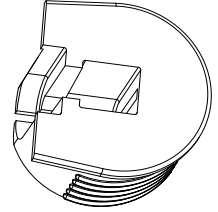
### Step 1

After connecting the shoe rails, Insert wedgfixes as shown

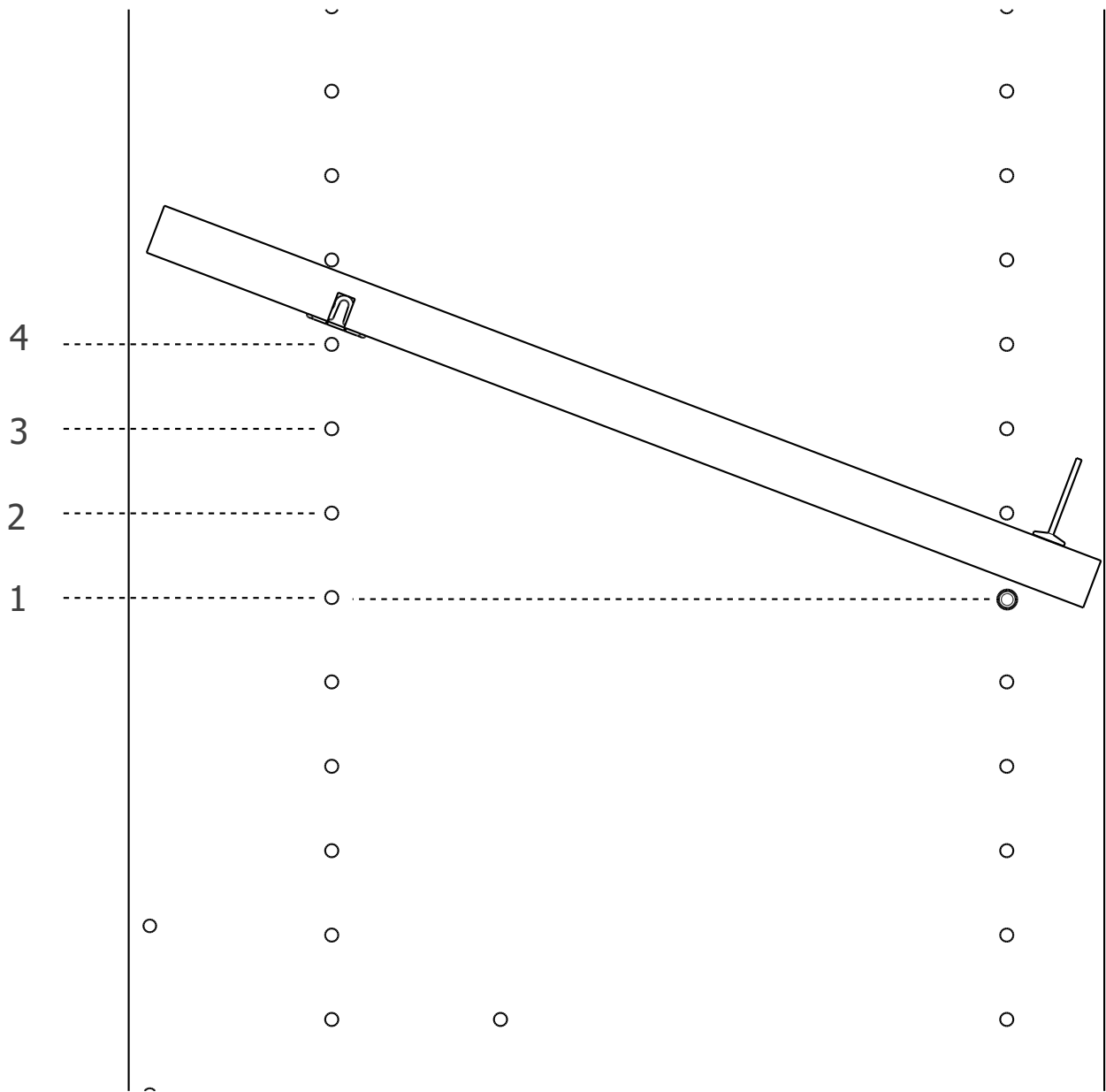


#### Please Note: Rafx/Wedgfix

Rafx hardware has an additional hole at the top of the hardware to allow a screwdriver to secure the clip once inserted to screw dowel. Wedgfix hardware does NOT have this additional hole.



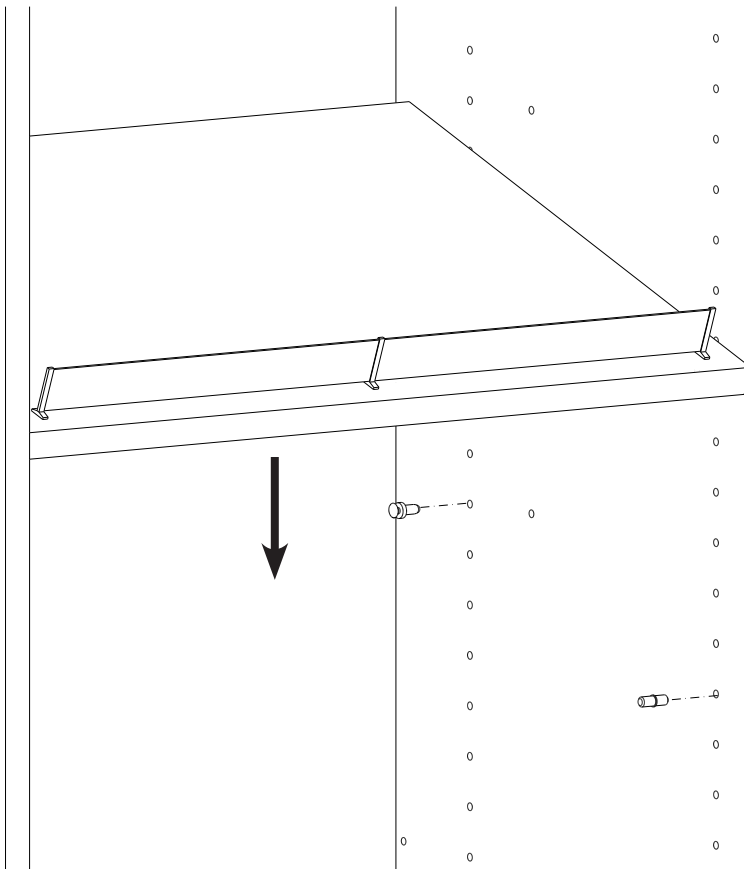
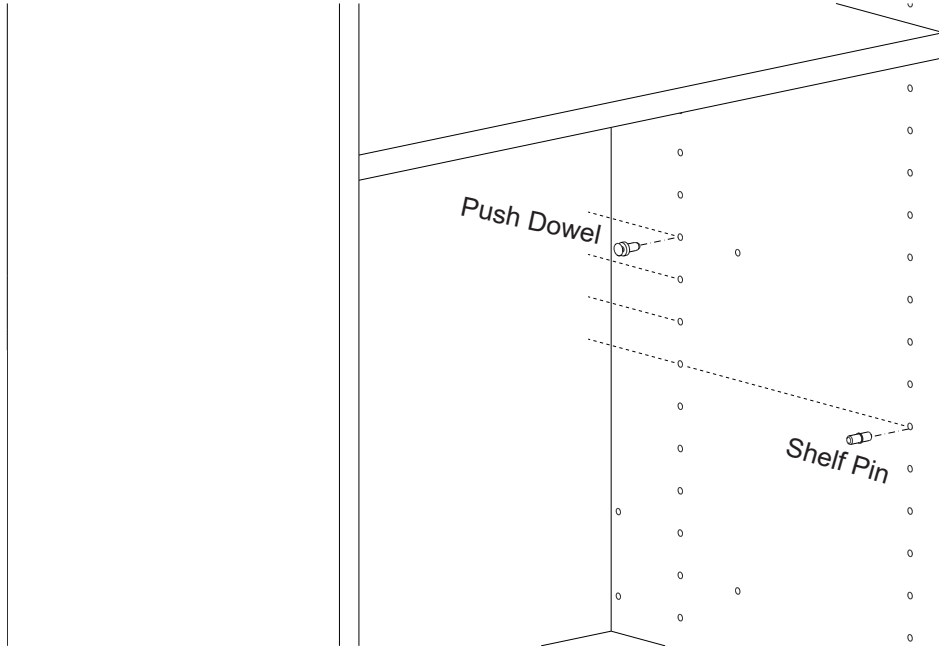
**Reminder to count holes when proceeding to the next step. This is how all shelves should be placed.**





### Step 2

Insert Push Dowel and Shelf Pin as shown and then place shoe shelf by clicking in the Wedgefix hardware into the Push Dowels and rest the front onto the Shelf Pins.





Door Assembly

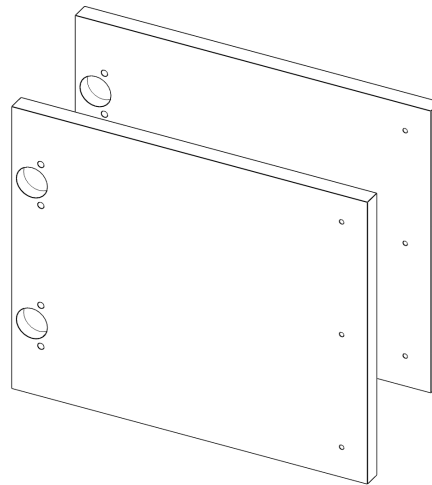
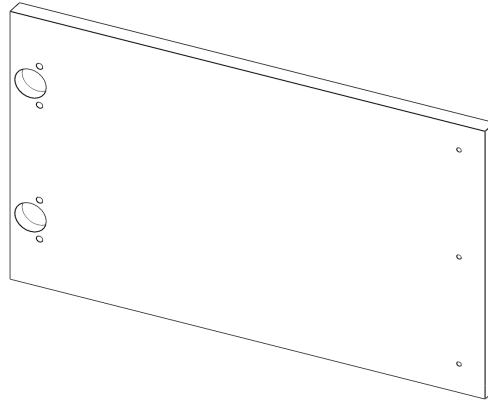
Boxes Needed

**Door Sizes:**

- ALTO-FDO
- ALTO-LDO
- ALTO-HDO
- ALTO-SDO
- ALTO-EDO

*The following widths only come with 1 door.*

*(21"/19.5"/18"/16.5" only has 1 per pack )*



**Tools Needed**

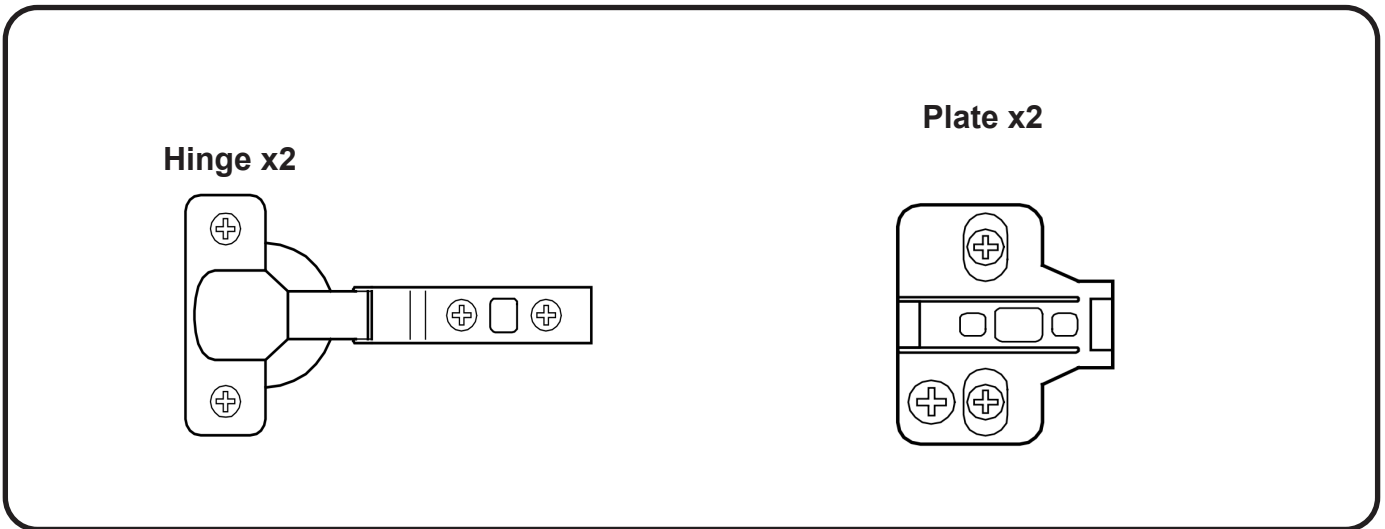
Philips Screwdriver



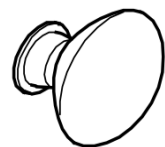
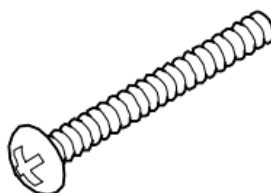
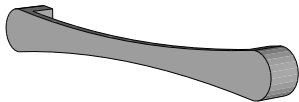
Rubber Mallet



Hardware Packs Needed  
ALT-HRDP-DO  
(2x Hardware Packs for FDO/LDO)

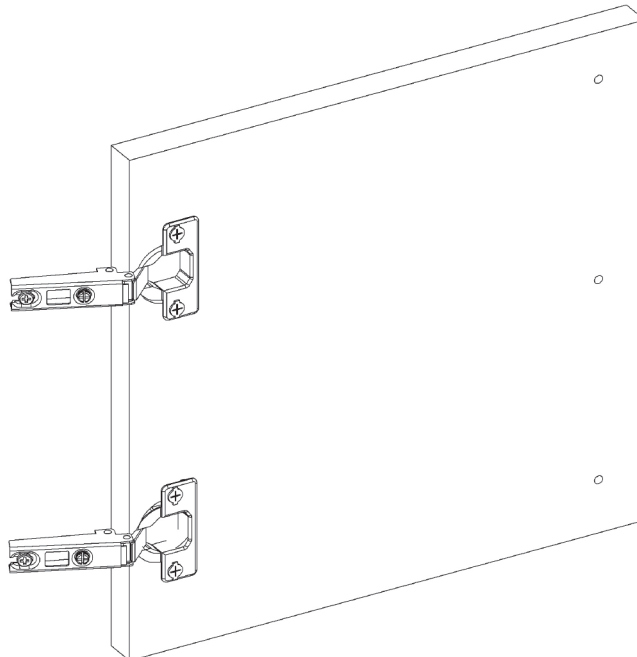
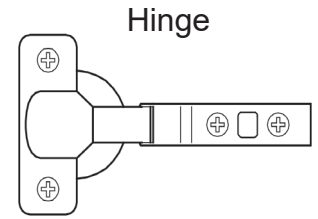
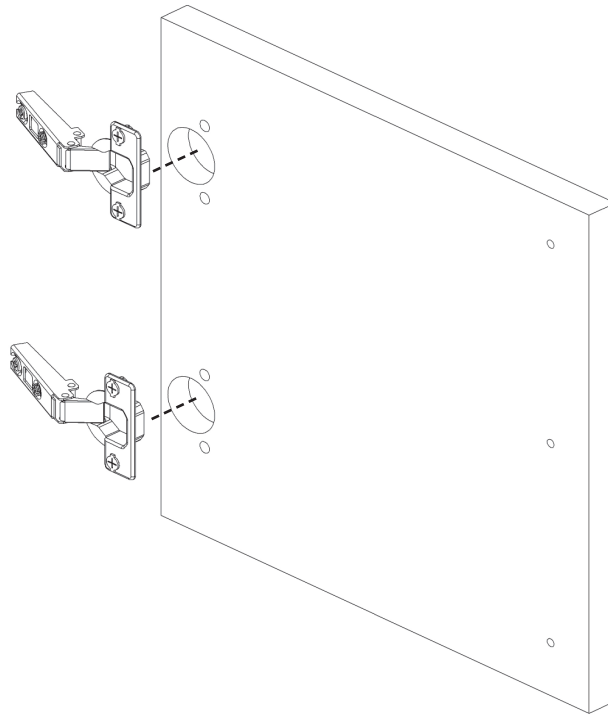


Knob/Pull and attaching screws are separate.



### Step 1

Insert hardware into **ALL** available slots on each door and secure hinge into place with screwdriver.

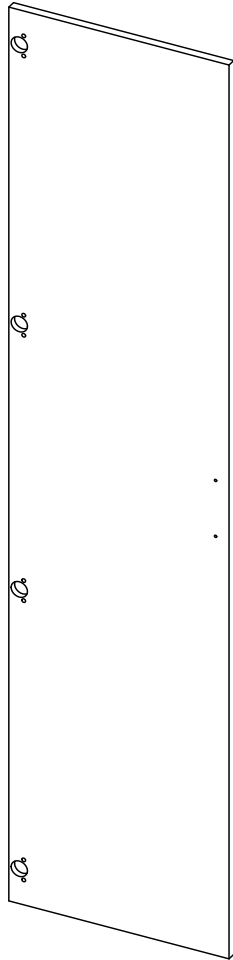
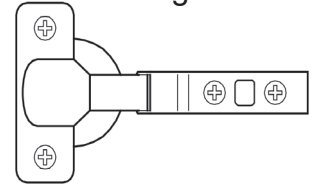




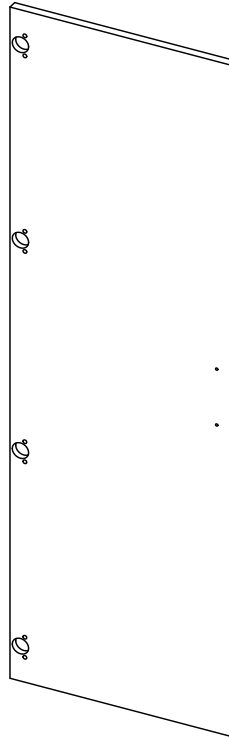
### Step 1 (cont...)

ALTO-FDO and ALTO-LDO both have four slots for each hinge hardware.  
Please insert a hinge into all of the slots.

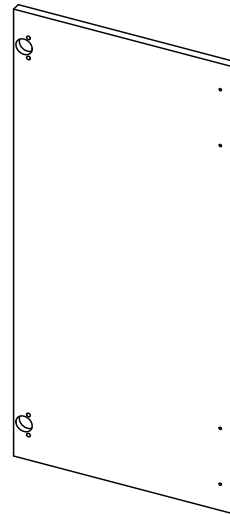
Hinge



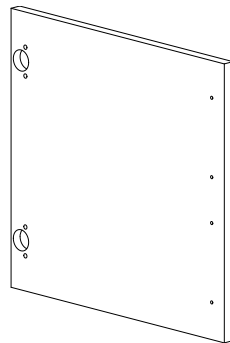
ALTO-FDO



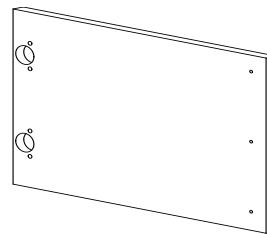
ALTO-LDO



ALTO-HDO



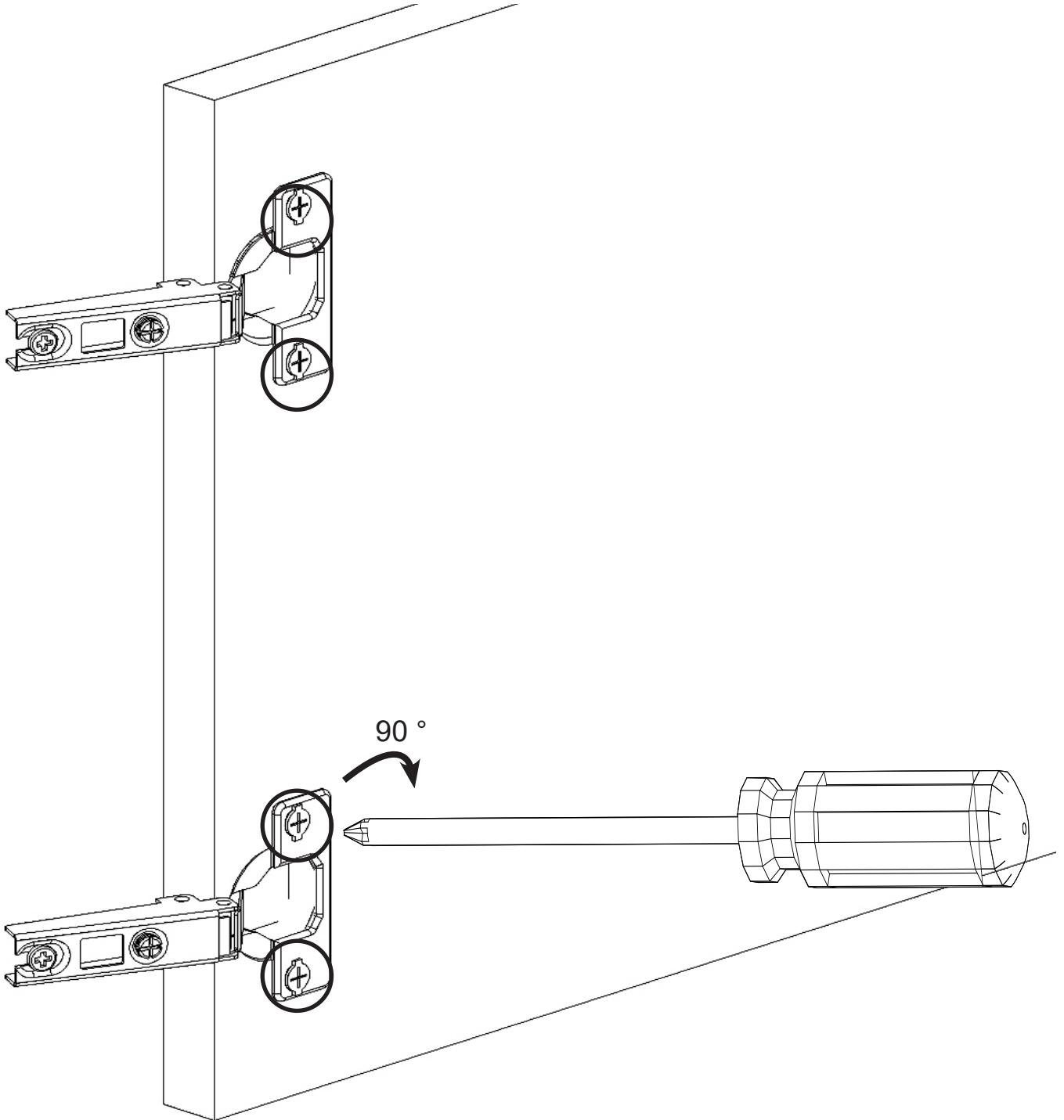
ALTO-EDO



ALTO-SDO

## Step 2

Using a screwdriver tighten only the highlighted captive screws on the door hinges 90 ° clockwise to lock them in place. Do not use a drill.

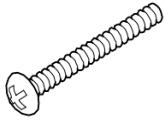




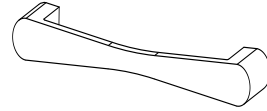
### Step 2b (optional)

Install Door Knob/Handle by securing 1" screw into any of the pilot screws on the back of the door. You may have to use a drill bit to punch through hole.

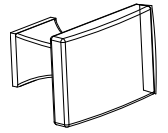
Screw



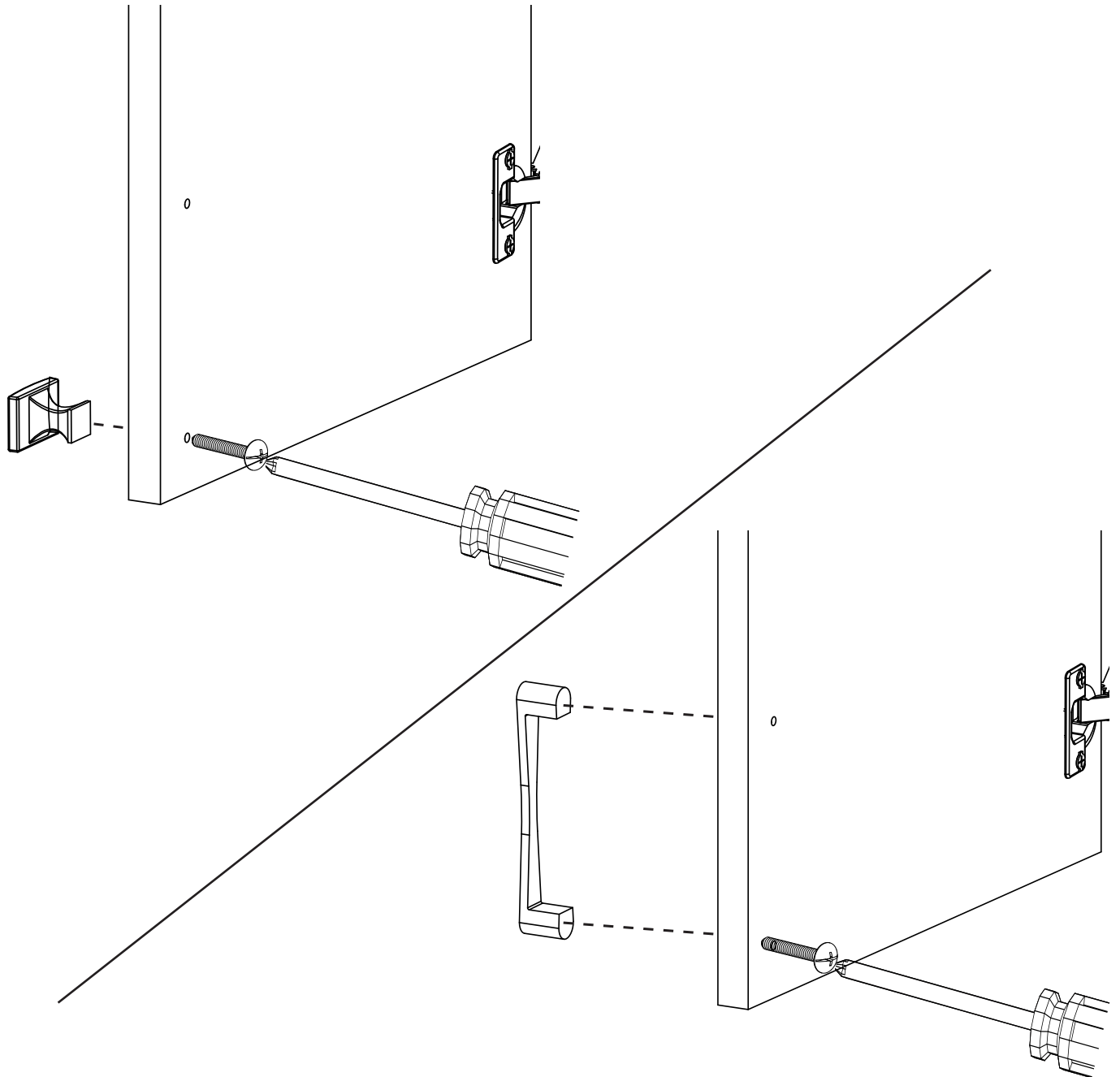
Pull



Knob



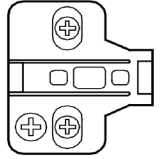
OR



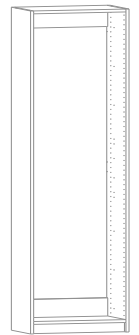
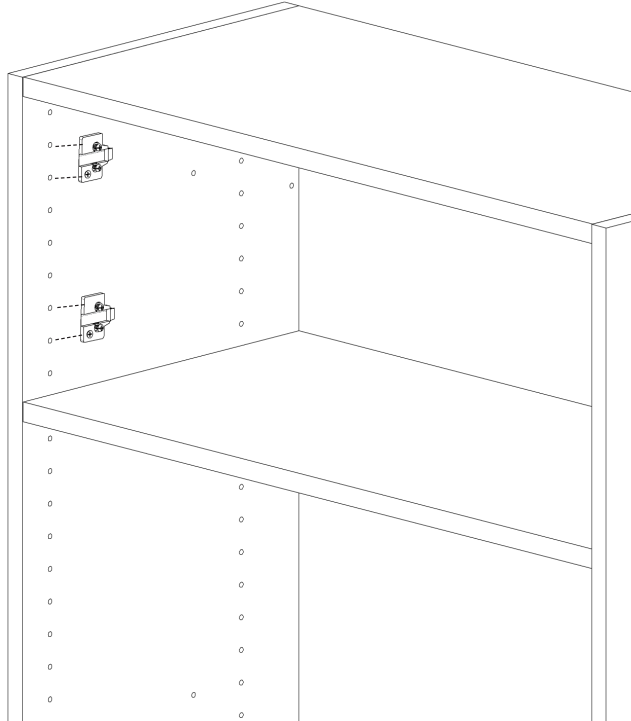
### Step 3

Take the hinge plate in the provided door hardware and line up the plate screws to fit into the top section of your choice.

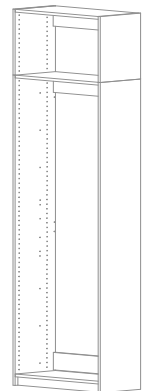
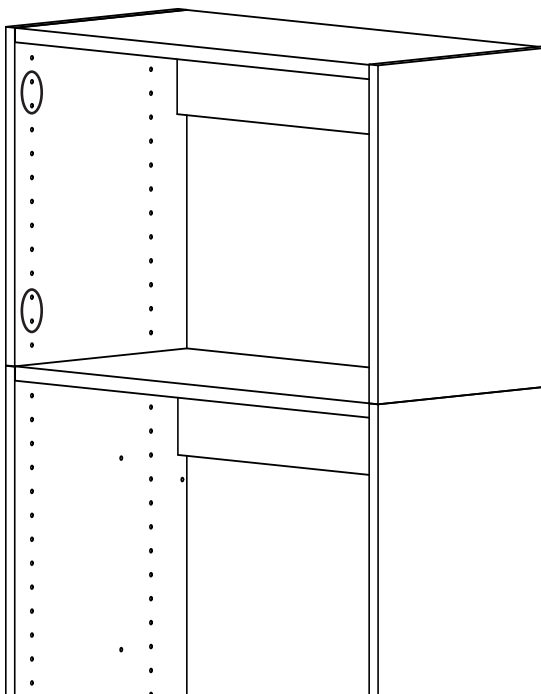
Plate



**ALTO-SDO:**  
The Top Plate will be 1 hole down from the top. The Bottom Plate will have 3 empty holes inbetween from the Top Plate.



**ALTO-EDO:**  
The Top Plate will be 1 hole down from the top. The Bottom Plate will be 1 hole up from the bottom.



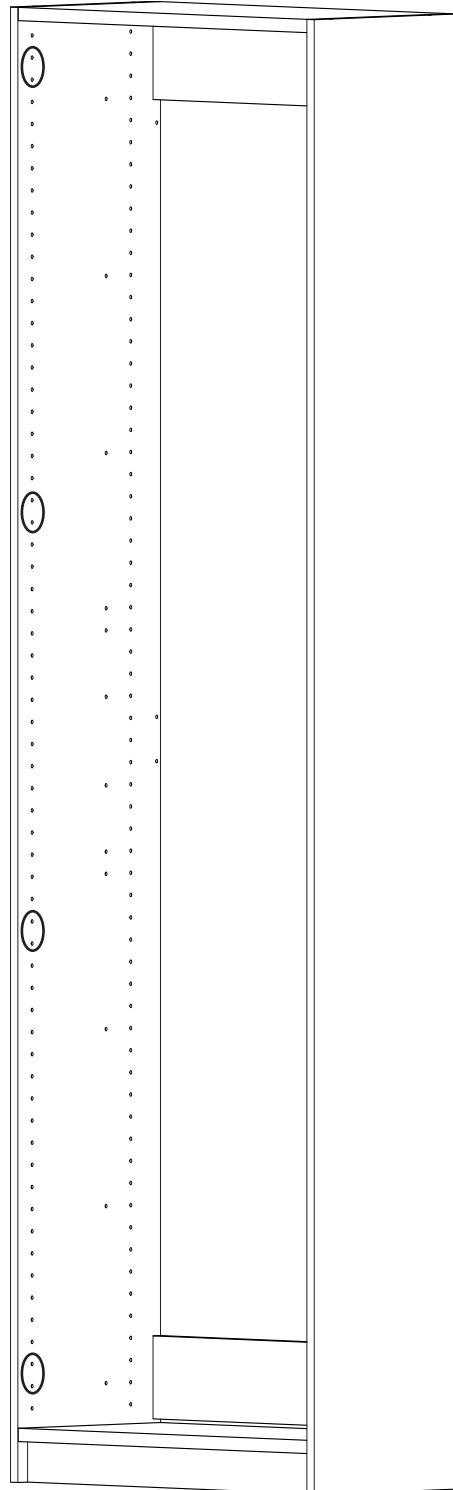


### Step 3 (cont...)

Take the hinge plate in the provided door hardware and line up the plate screws to fit into the tower.

18 Hole Gap

18 Hole Gap



#### **ALTO-FDO:**

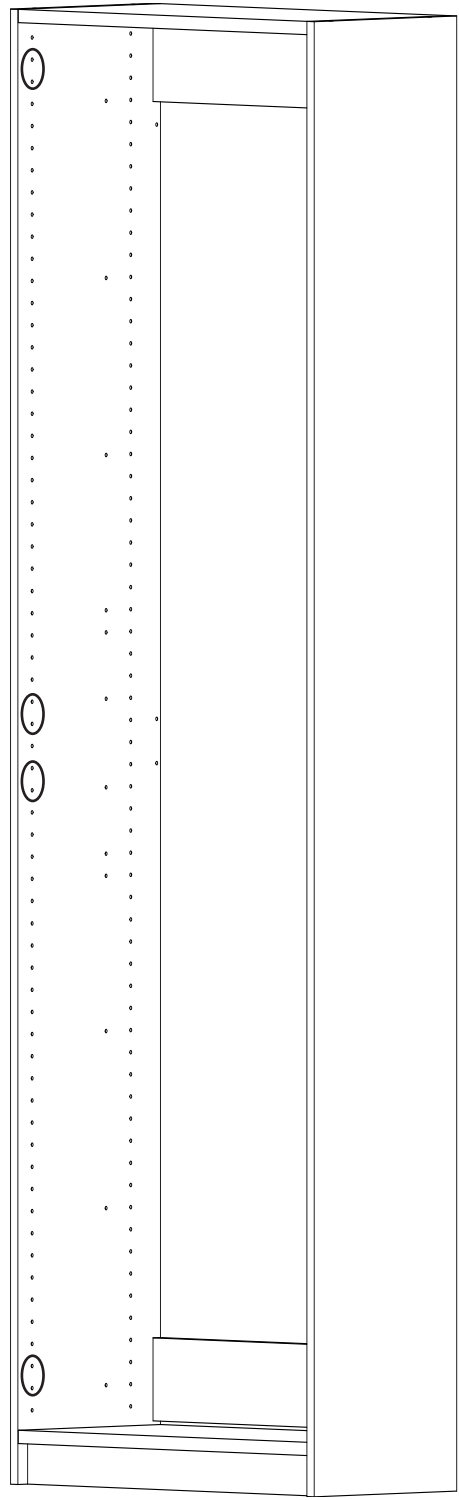
The Top Plate will be 1 hole down from the top.  
The Bottom Plate will have 1 hole up from the bottom.

**Step 3 (cont...)**

Take the hinge plate in the provided door hardware and line up the plate screws to fit into the tower.

26 Hole Gap

26 Hole Gap



**ALTO-HDO:**

The half door will be installed either one hole from the top or one hole from the bottom then counter 26 hole gap between the other plate. Use the door hinges to confirm placement of plates.

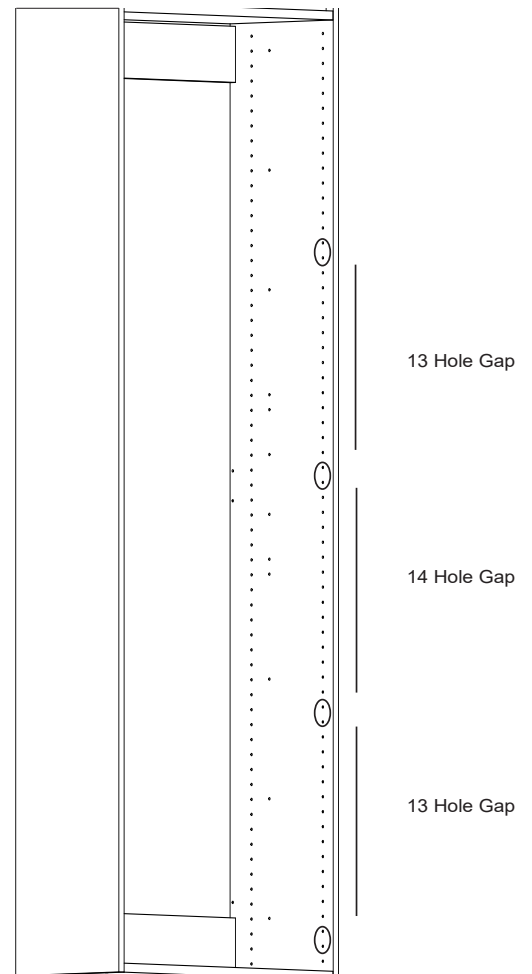
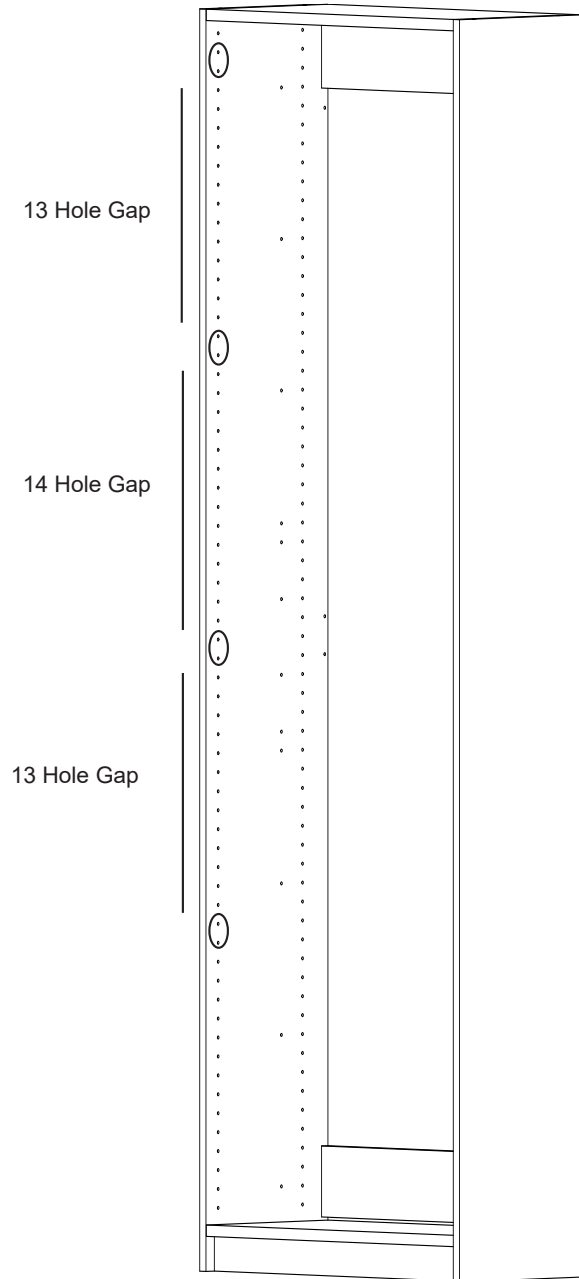


### Step 3 (cont...)

Take the hinge plate in the provided door hardware and line up the plate screws to fit into the tower.

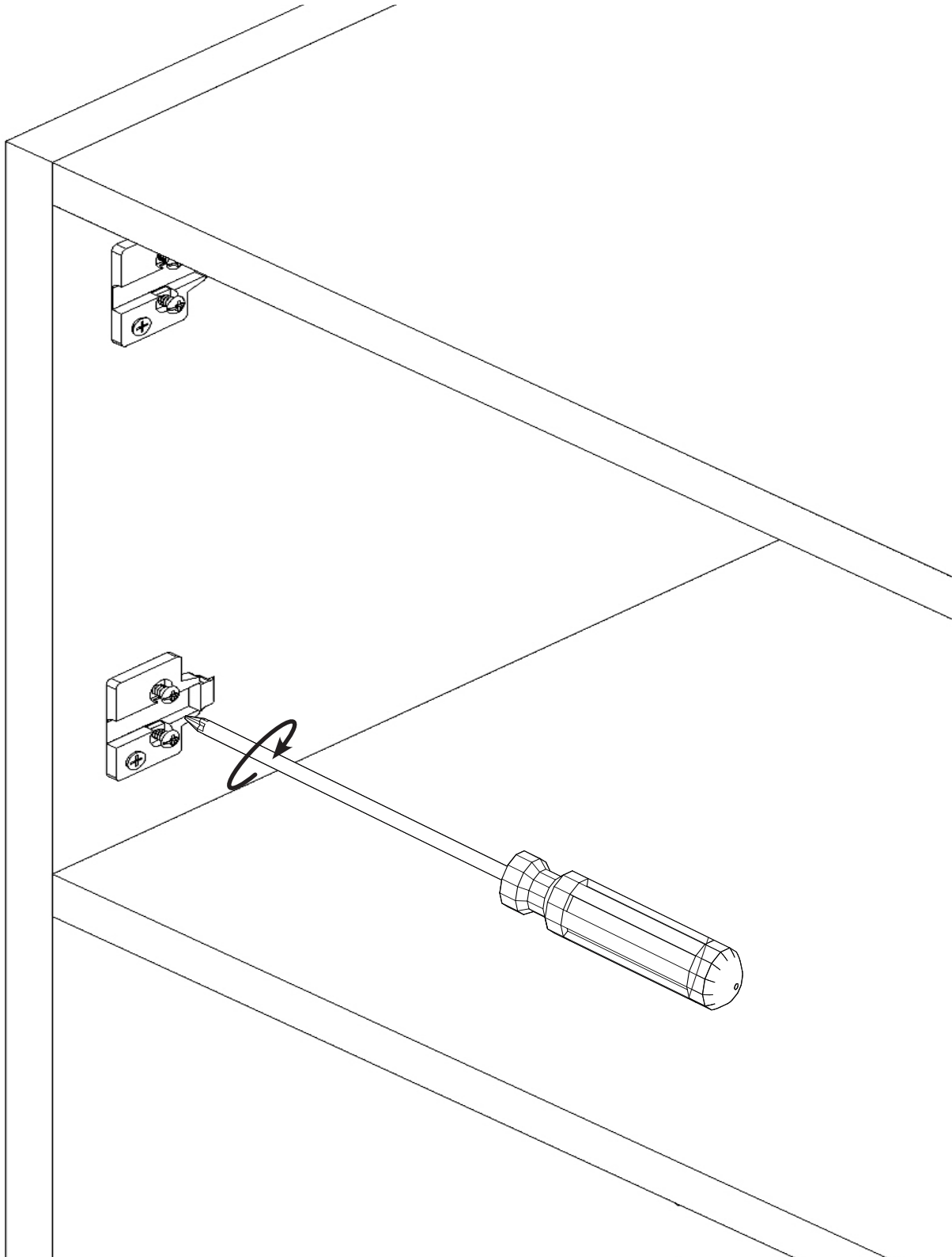
#### ALTO-LDO:

Door will be installed either one hole from the top or one hole from the bottom then follow the visual for the correct spacing on each plate to be installed.



### Step 4

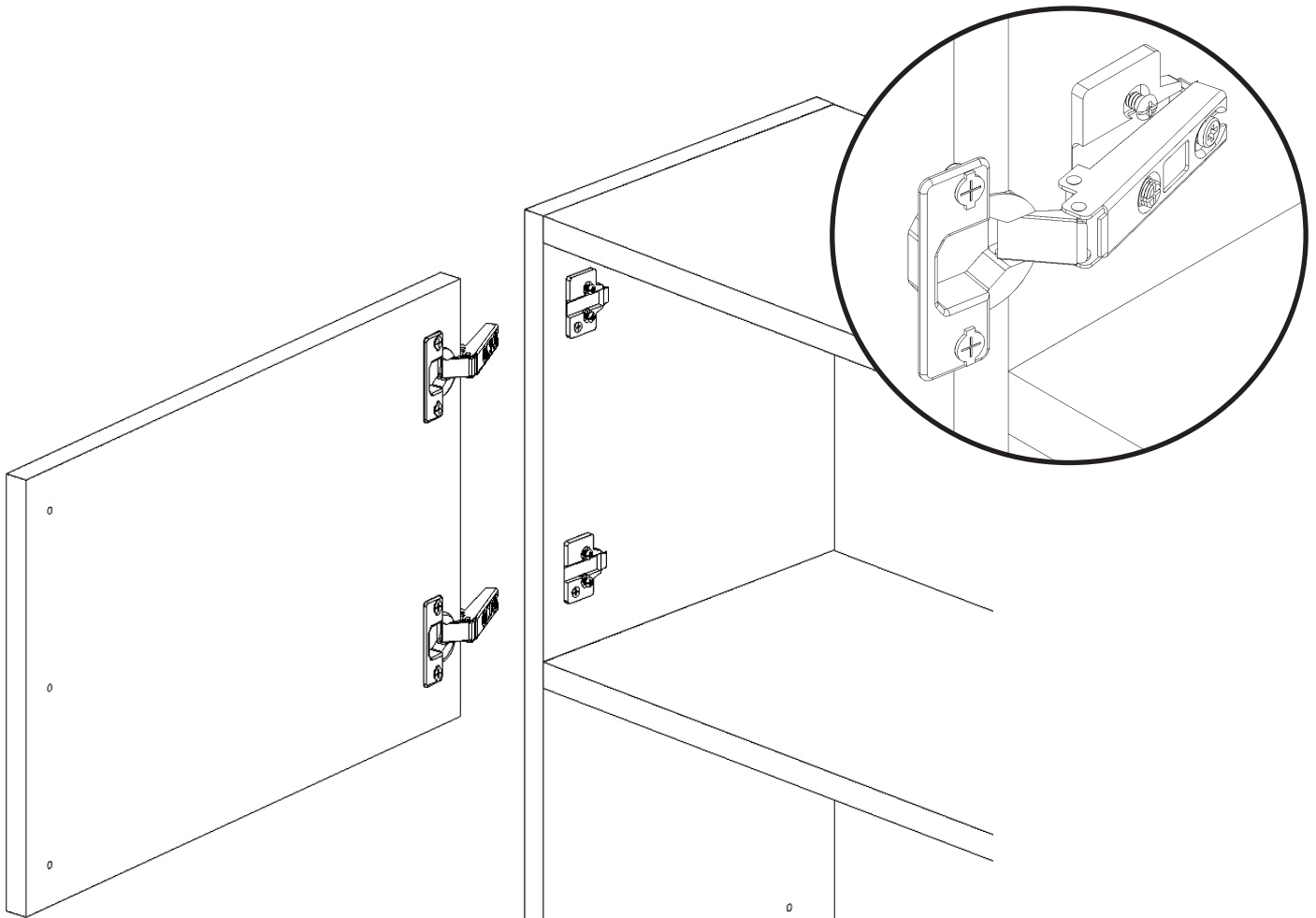
Use screw driver to tighten hinge plates into the panel. Do not use a drill.





### Step 5

Snap the door hinge into the installed plate hinge on the side panel.

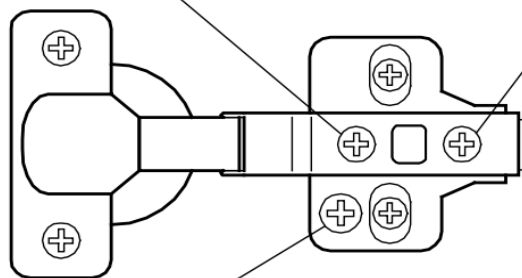


ADJUSTS POSITION OF HINGE  
IN OR OUT (DEPTH)

ADJUSTS POSITION OF  
HINGE SIDE TO SIDE

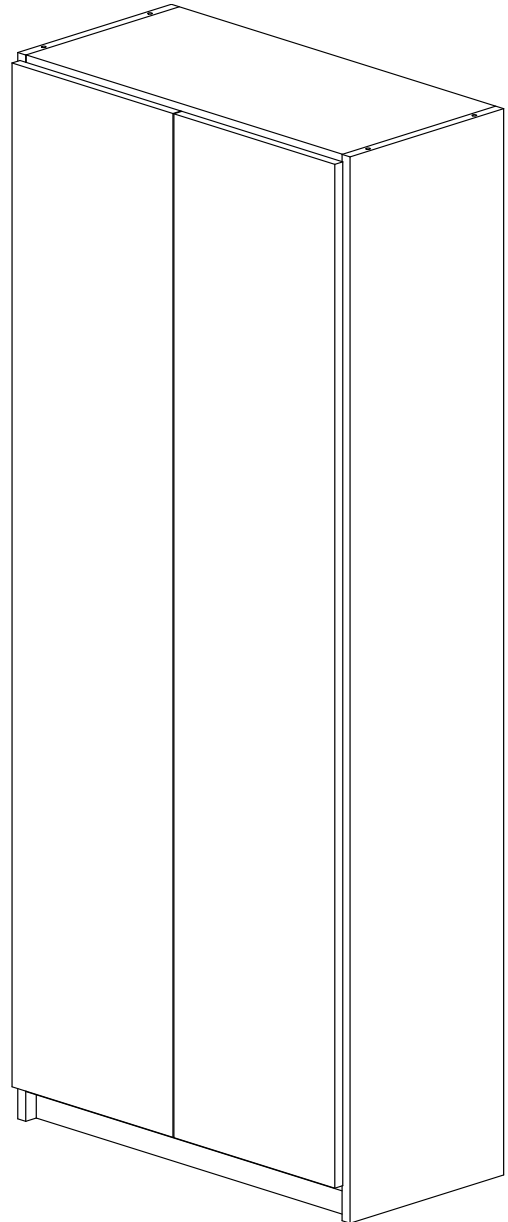
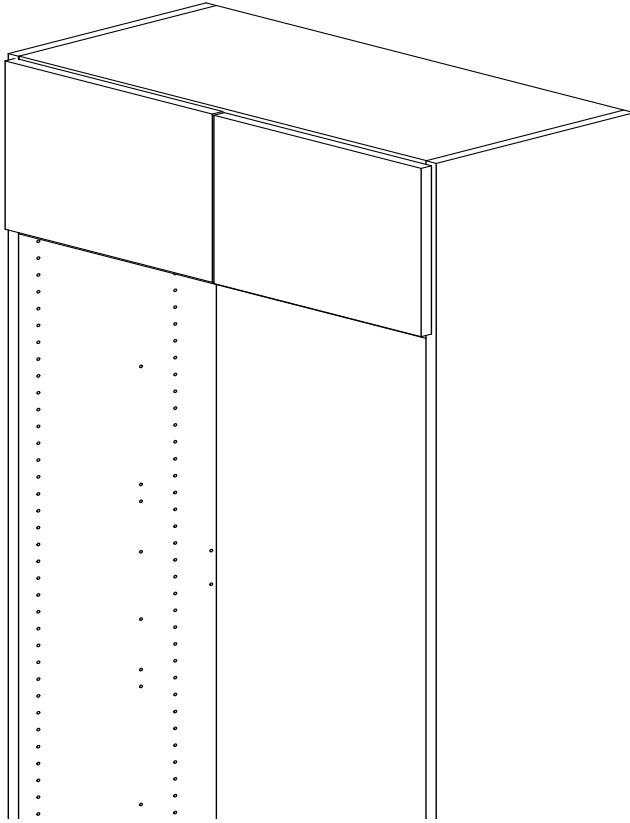
PRESS TO RELEASE HINGE  
FROM HINGE PLATE

ADJUSTS POSITION OF  
HINGE UP AND DOWN



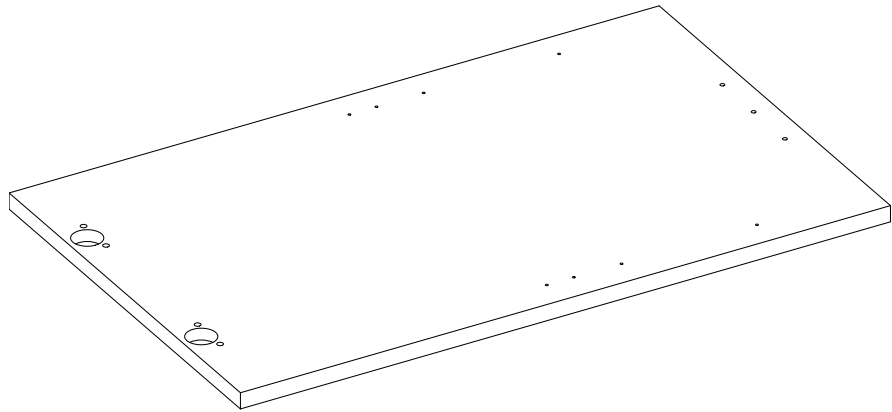
## Step 6

Repeat steps 1-5 for all remaining doors





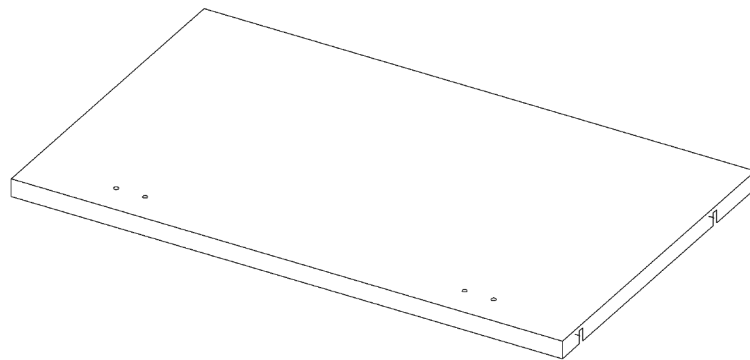
### Alto Tilt Out Hamper Boxes Needed



#### ALT-HMP



*Door and Fixed Shelf*  
18"/24"/30"



#### Hamper



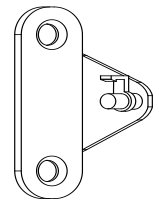
*Tilt Out Hamper Item*  
+  
*Flap Stay Hamper Pack*



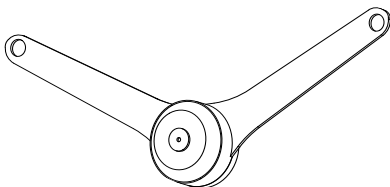
**Hamper Brackets**  
*(included in box containing Hamper)*



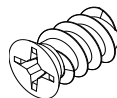
**Sharp Screws (S/L)**



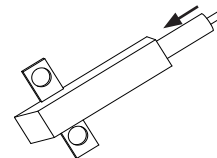
**Plates (Stay)**



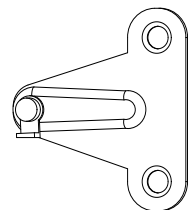
**Stay**



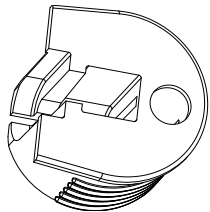
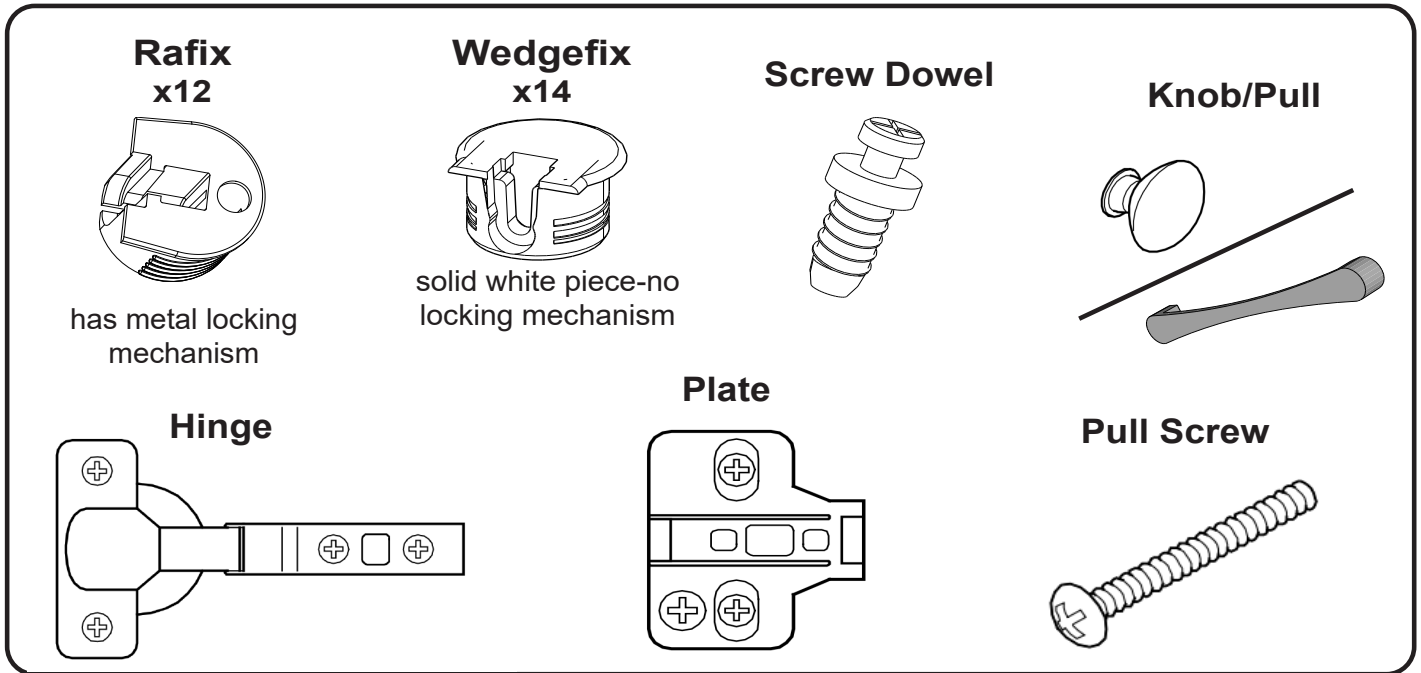
**Flat Screw**



**Stopper**

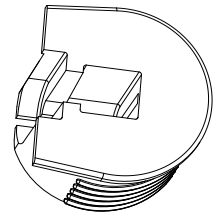


Hardware Packs Needed  
 ALT-HRDP-FS  
 ALT-HRDP-DO



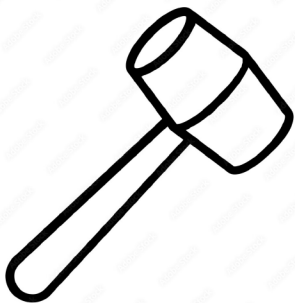
**Please Note: Rafx/Wedgefix**

Rafx hardware has an additional hole at the top of the hardware to allow a screwdriver to secure the clip once inserted to screw dowel. Wedgefix hardware does NOT have this additional hole.

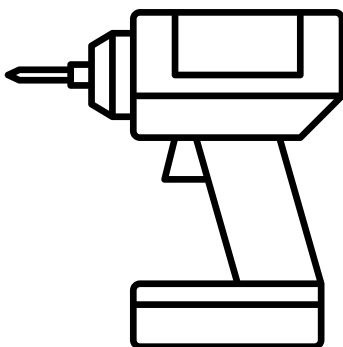


**Tools Needed**

Rubber Mallet



Drill



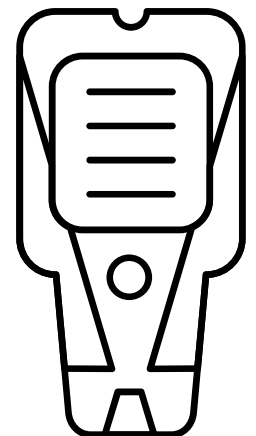
Level



Philips Screwdriver



Stud finder

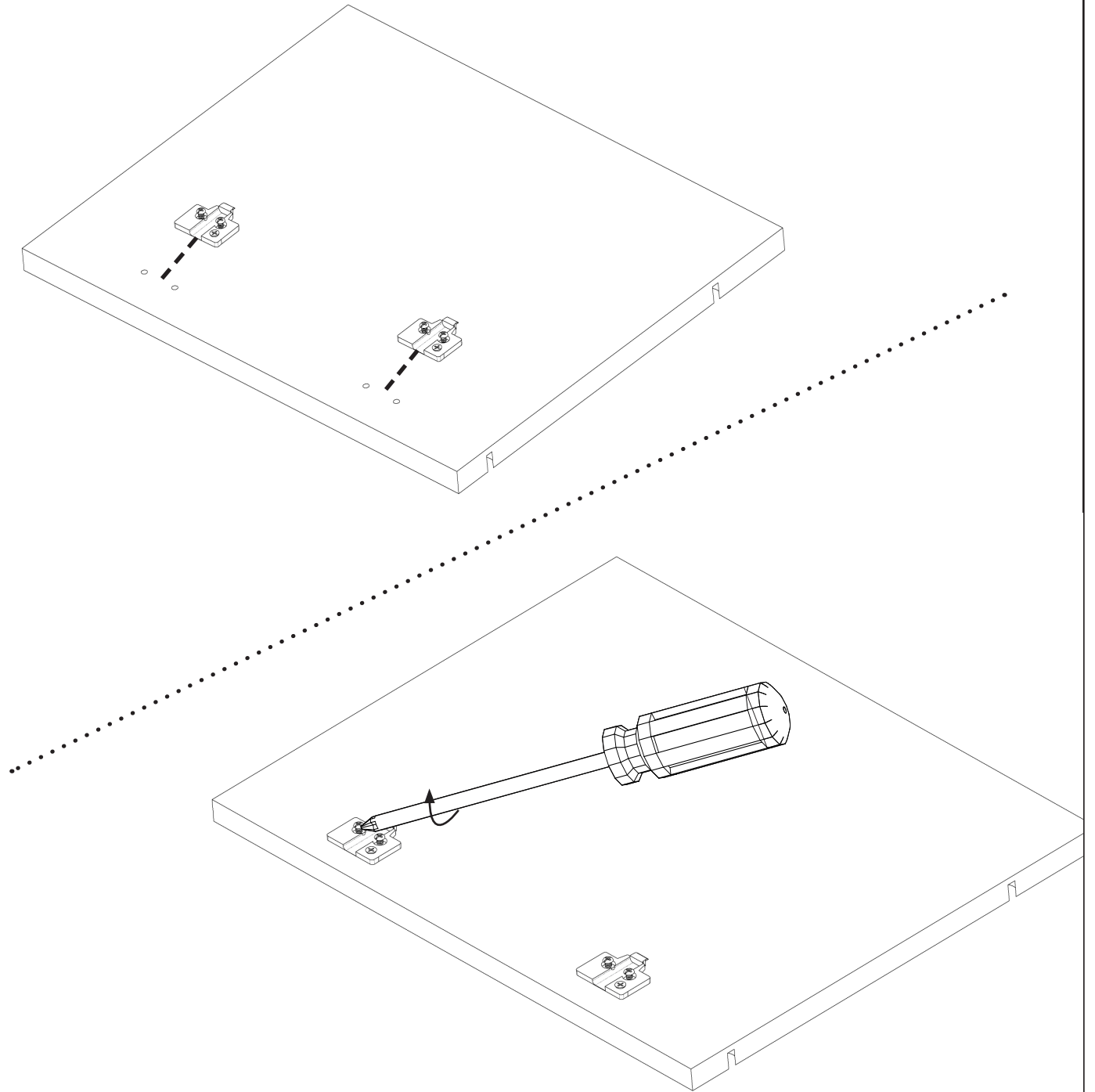


**2 person assembly suggested**



### Step 1

Attach standard hardware pack hinge plates to bottom fixed shelf. Screw into place.



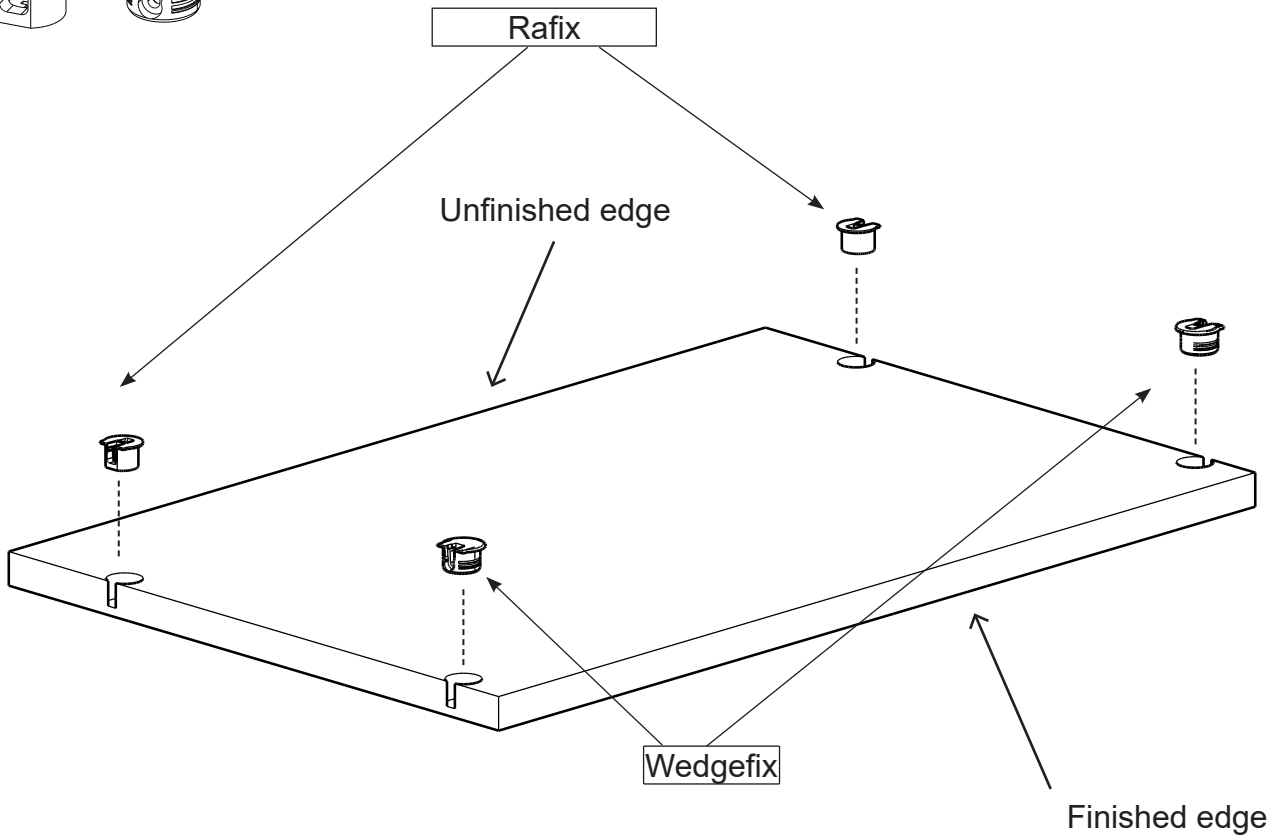
## Step 2

Insert 2 rafixes in the holes closer to the unfinished edge, and 2 wedgefixes in the holes closer to the finished edge.

Rafix  
x2



Wedgefix  
x2

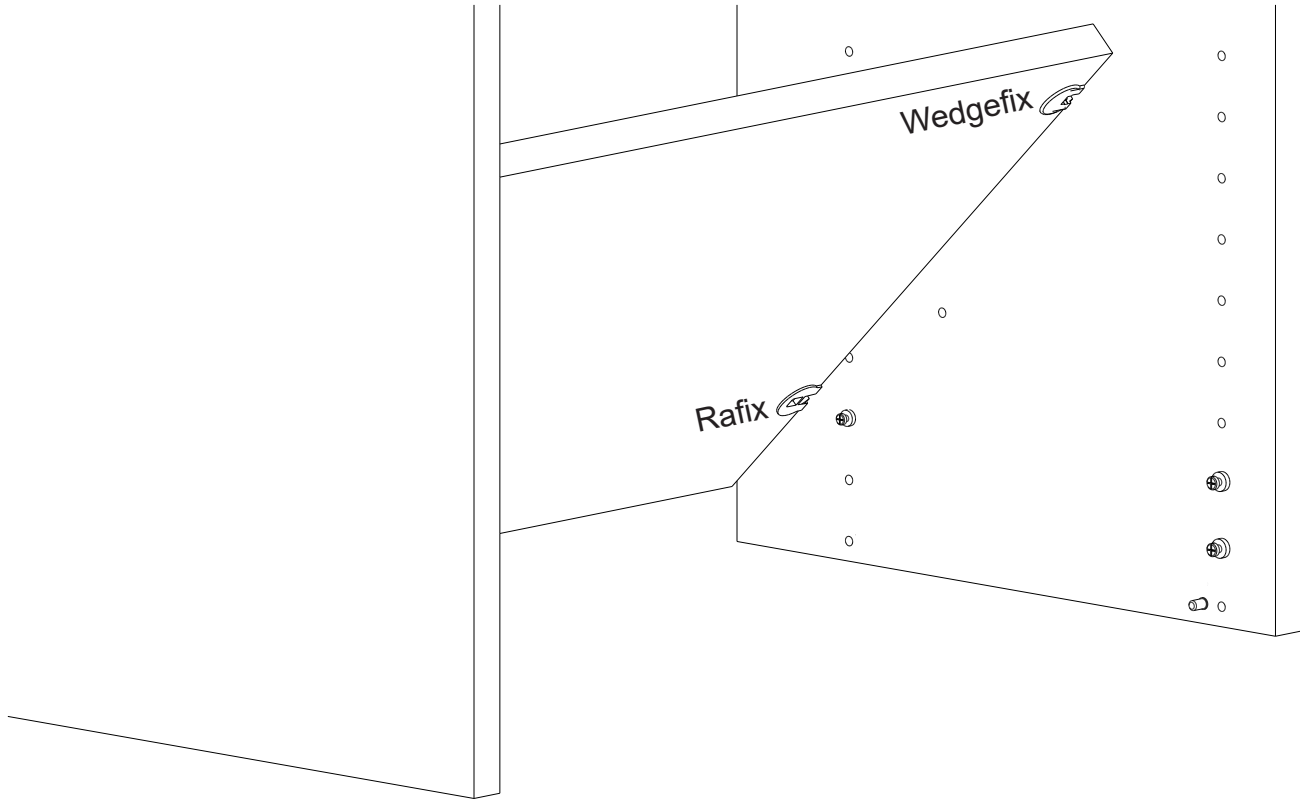


This will be used as the bottom fixed shelf

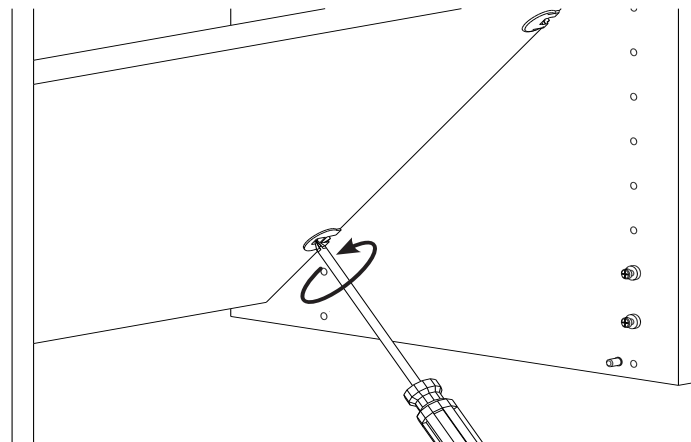


### Step 3

Insert the bottom fixed shelf (with 2 rafixes and 2 wedgefixes from Step 2) and insert the back 2 rafixes into the screw dowels as shown below.

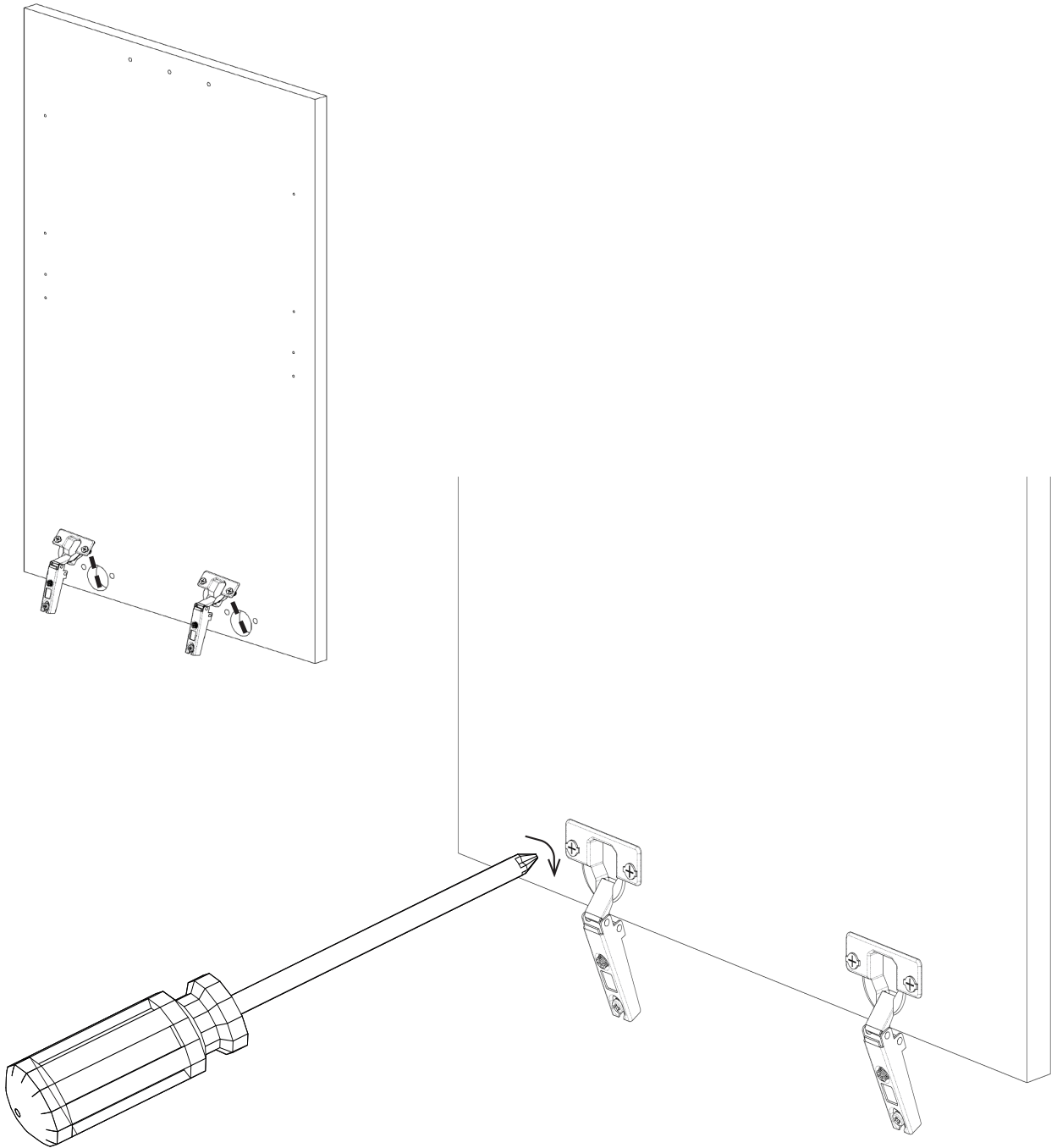


Hold Shelf at an angle and use screw driver to secure the back .....



## Step 4

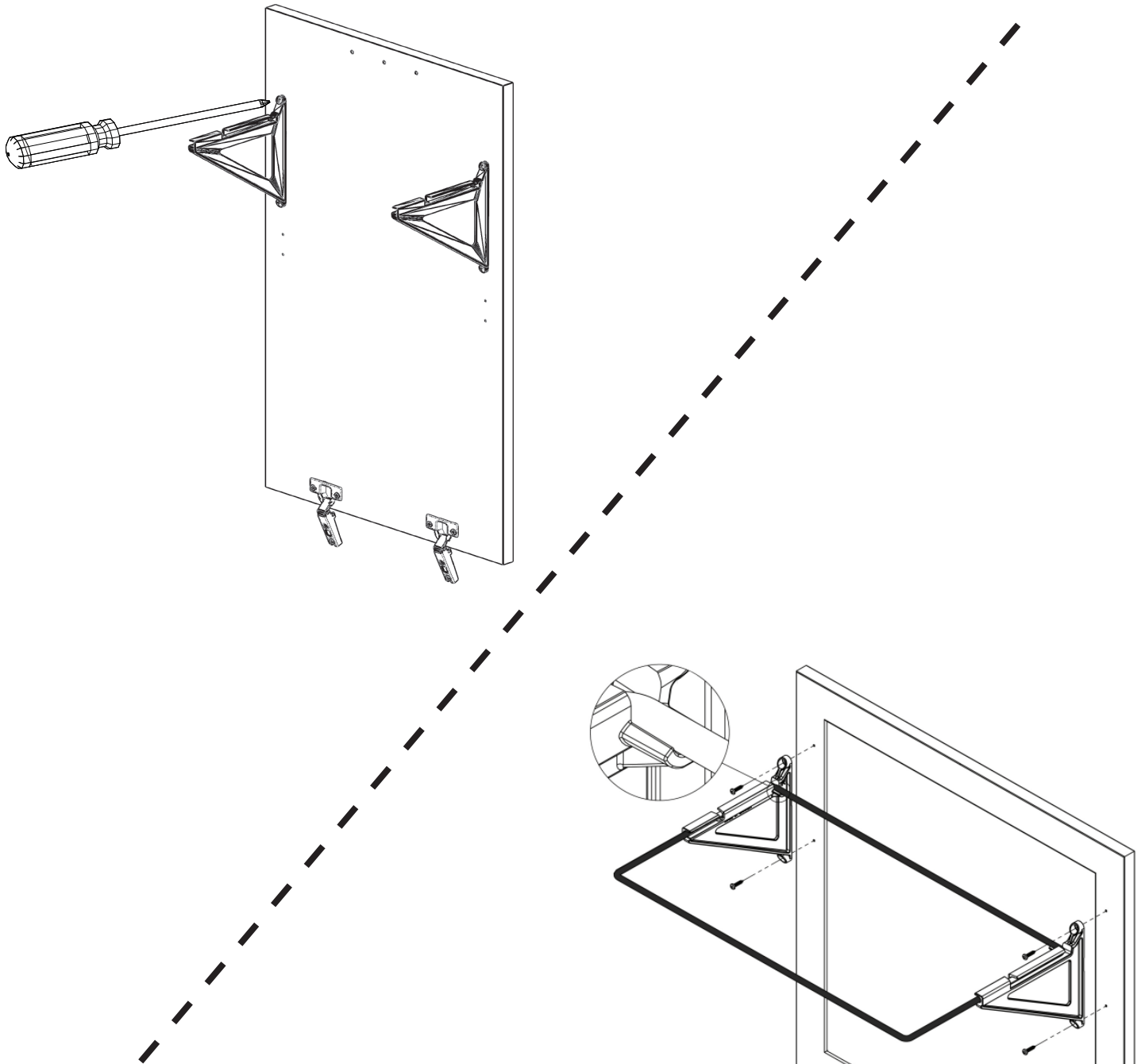
Insert the hinges into the appropriate slot at the bottom of door panel and fasten them with a screw driver.





### Step 5

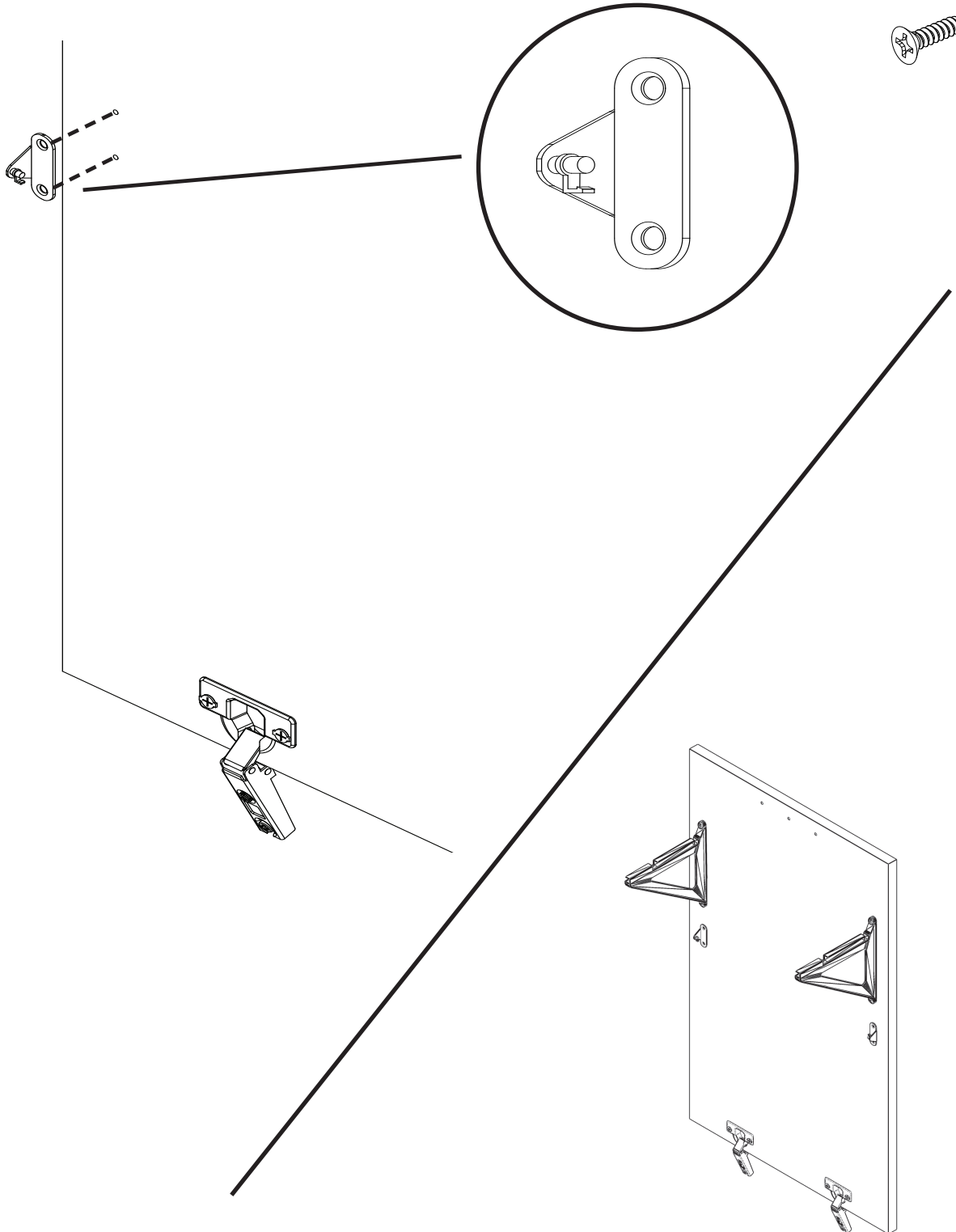
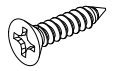
Using the provided hamper hardware pack, attach and screw the hamper brackets to the back of the door and attach the rectangular metal frame.



### Step 6

Using the provided hamper hardware pack, attach the stay hinges to the back of the door. Please make sure to ensure you are using the correct plates matching with the image provided below. Repeat for other side.

Sharp Screw  
(small)

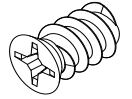




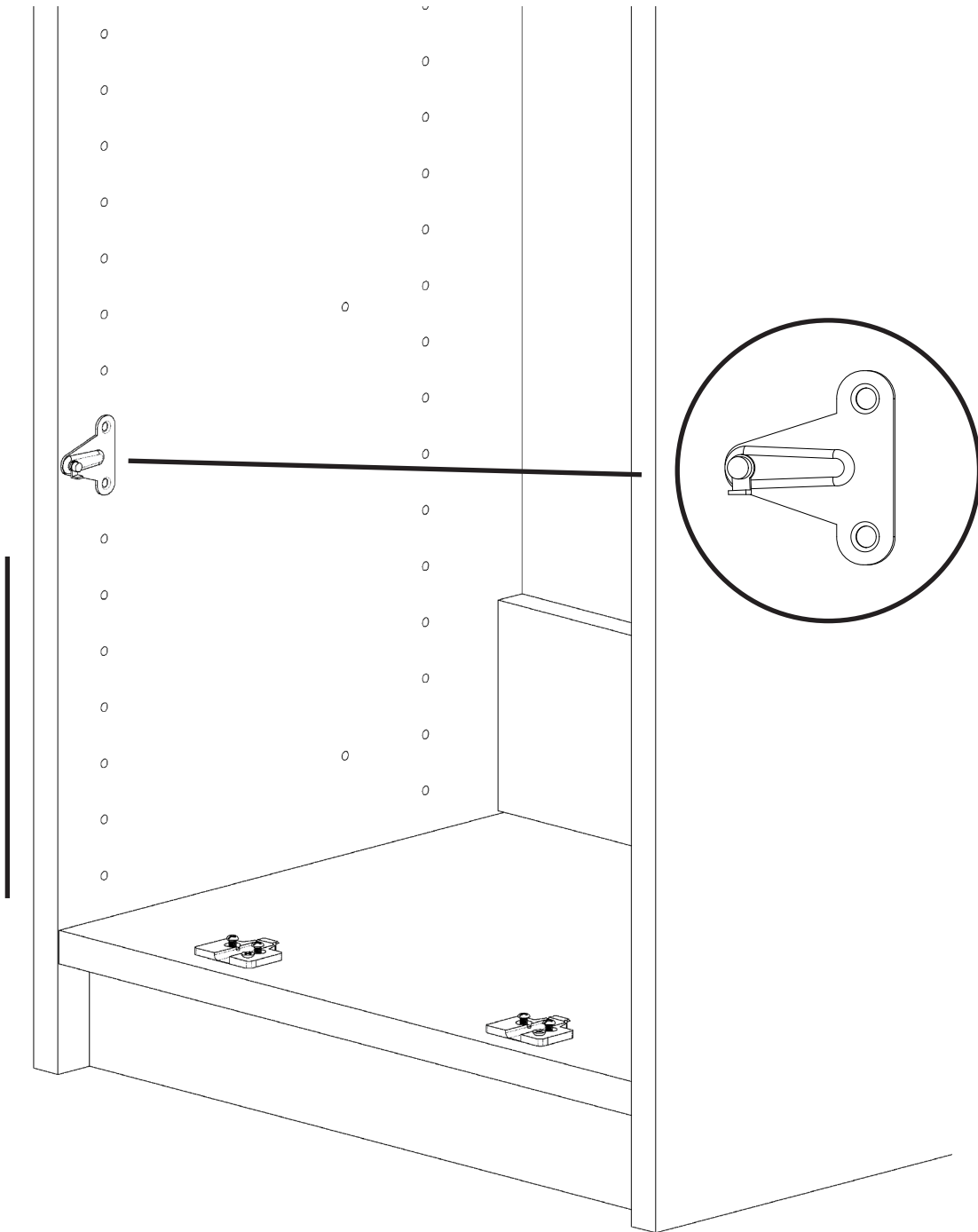
### Step 7

Drill additional stay hinges to the assembled alto tower panel. Install 7 holes from the bottom. Please ensure you are using the correct plates matching with the image provided below. Repeat for other side.

Flat Screw



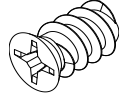
7 Holes



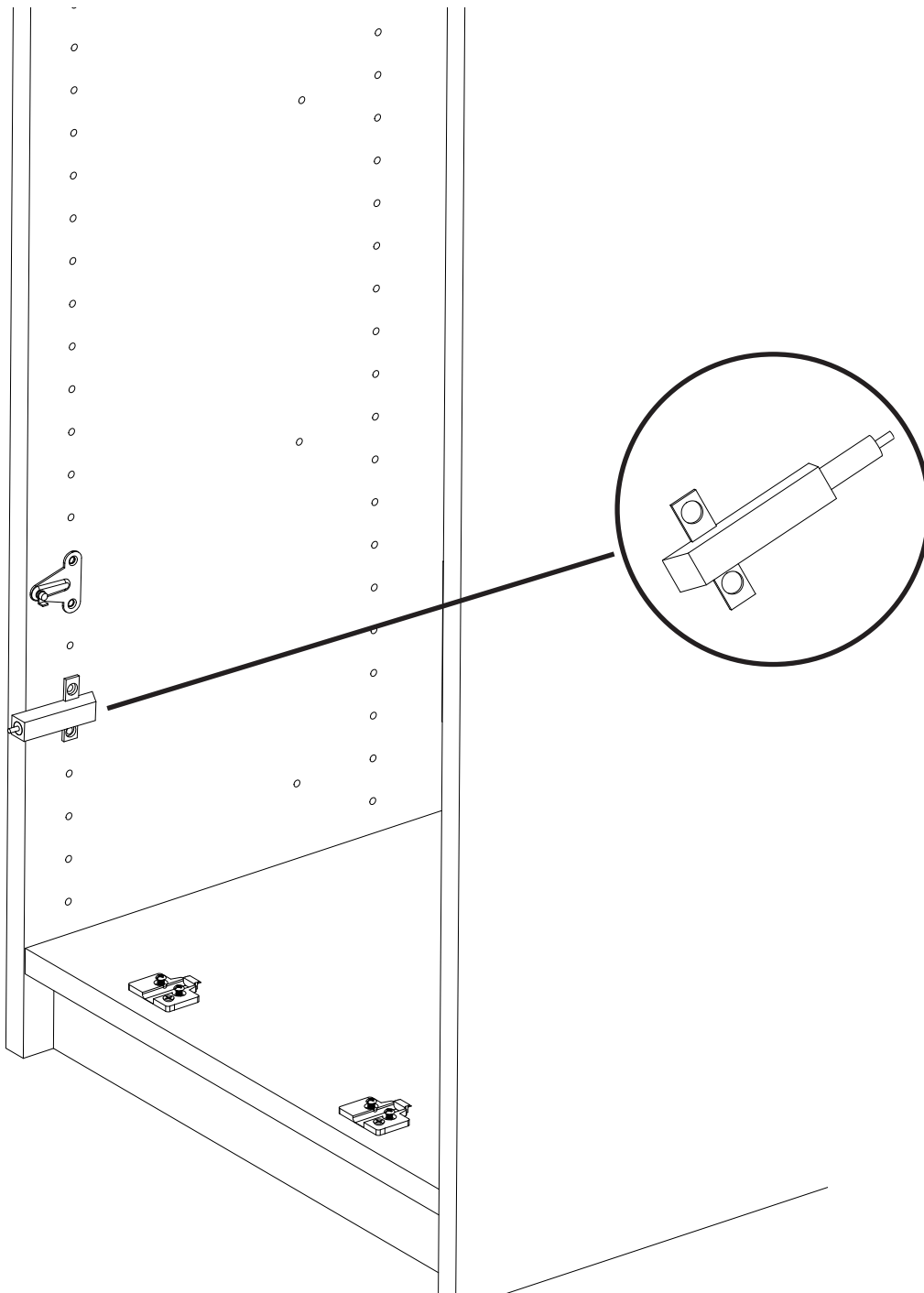
### Step 7b

Drill stopper on either side of the unit with one hole separating the hinge attached on the previous page. Use drill with pressure applied on the flat screws to secure into place.

Flat Screw



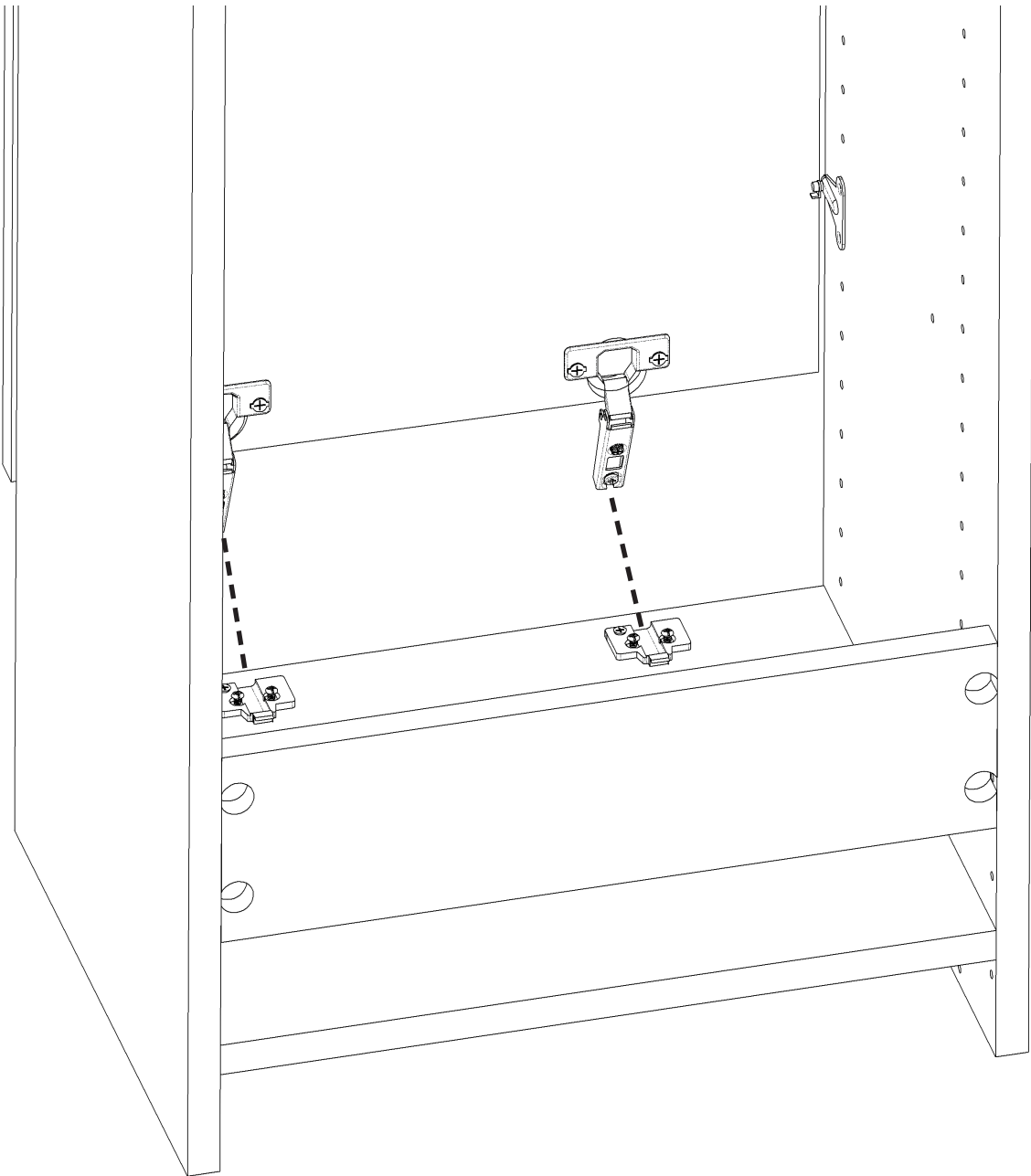
1 Hole





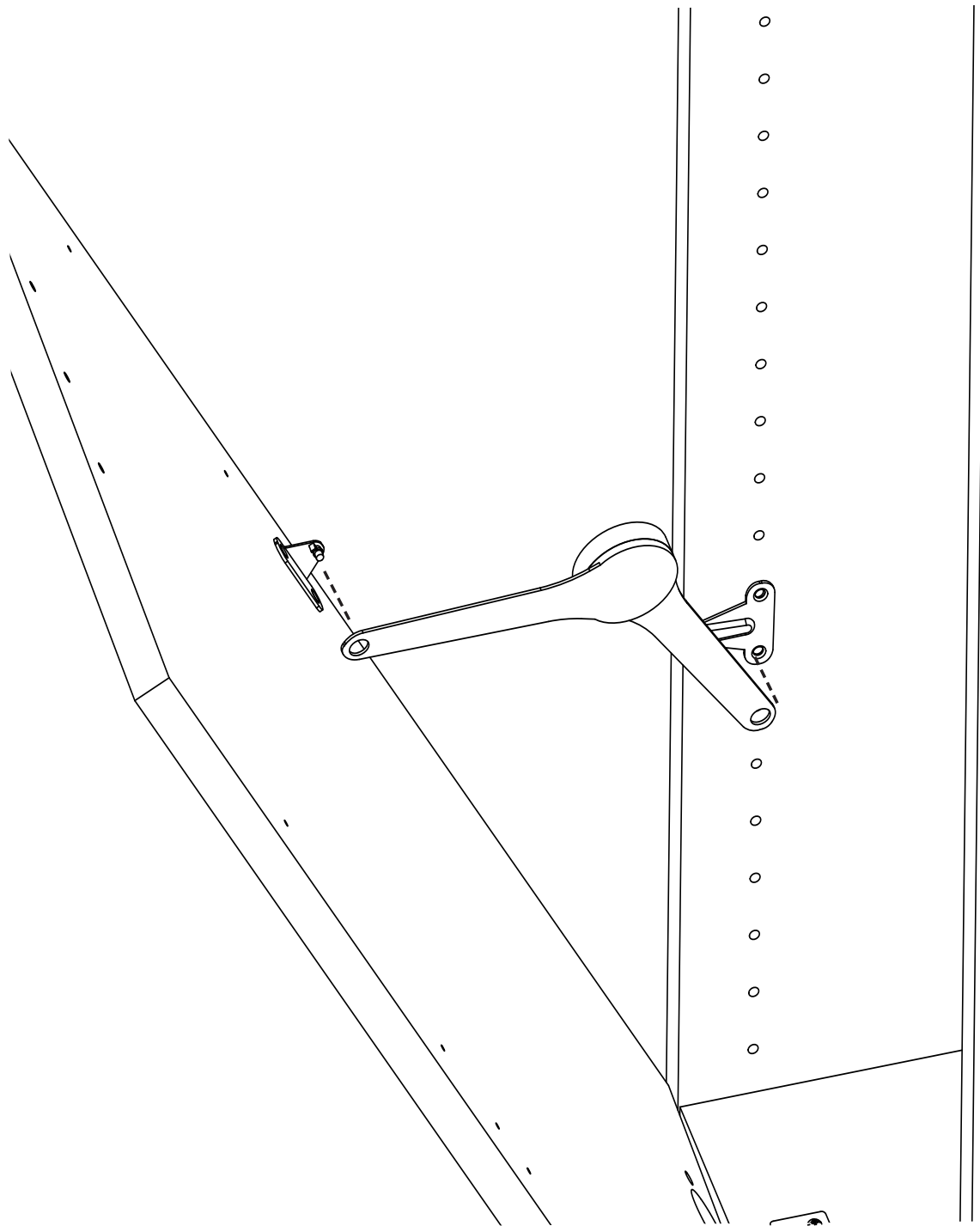
### Step 8

Attach hinges to secured plates on bottom shelf to connect the door.



### Step 9

Snap door stay into the two plates installed on steps 6 and 7. Repeat for other side.





### Step 10

Use the bended metal frame to insert into one/two hamper bags and attach them to the rectangular metal frame installed.

