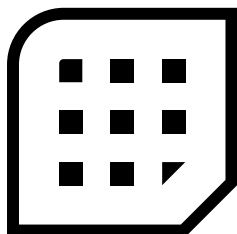
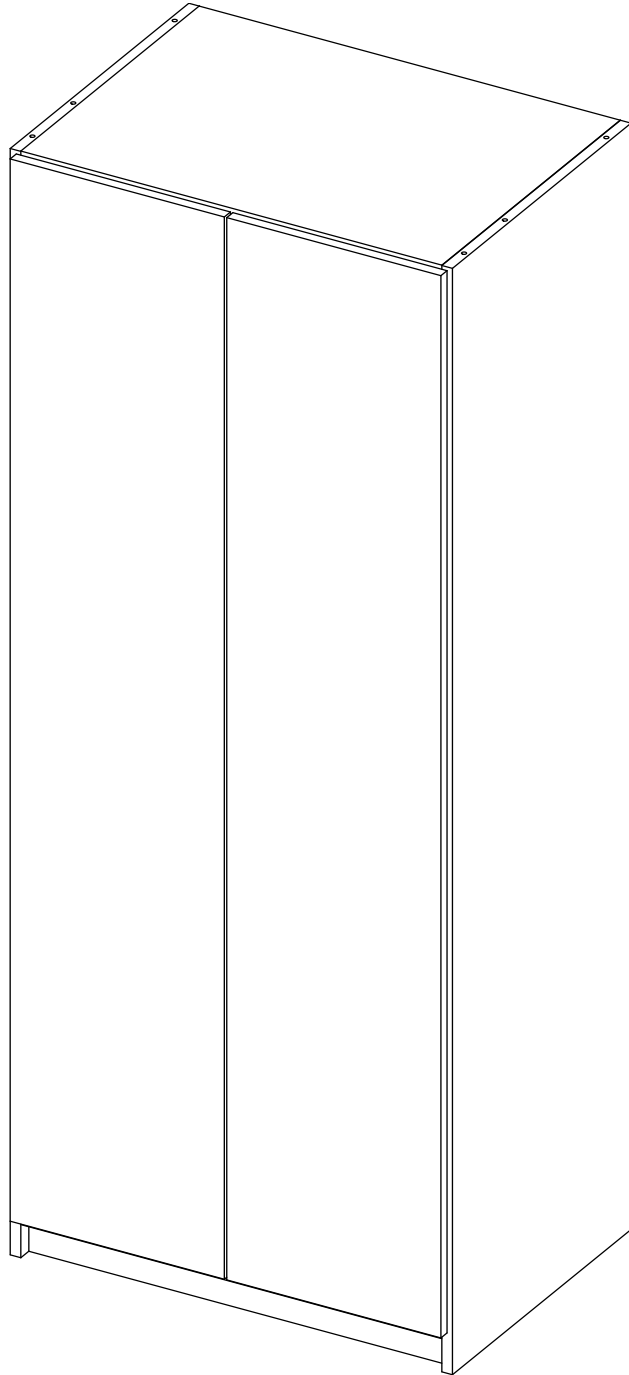


ALTO 22" Depth

ASSEMBLY INSTRUCTIONS



**modular
closets.**



Congratulations on your purchase!

For any questions reach out to support@modularclosets.com or call 844-969-4247

Thank you for choosing Modular Closets and our Alto closet system!

We are committed to providing you with a seamless and efficient storage solution that enhances the organization and functionality of your space. Before you embark on assembling your new Alto closet system, we want to emphasize a crucial step to ensure a smooth and successful installation.

Important: Understanding Your Components

Before you begin the assembly process, it is essential to familiarize yourself with the components provided in your package. Our Alto closet system includes various boxes containing different parts designated for specific towers. Properly identifying and organizing these components will prevent confusion and streamline the installation.

What You Need to Do

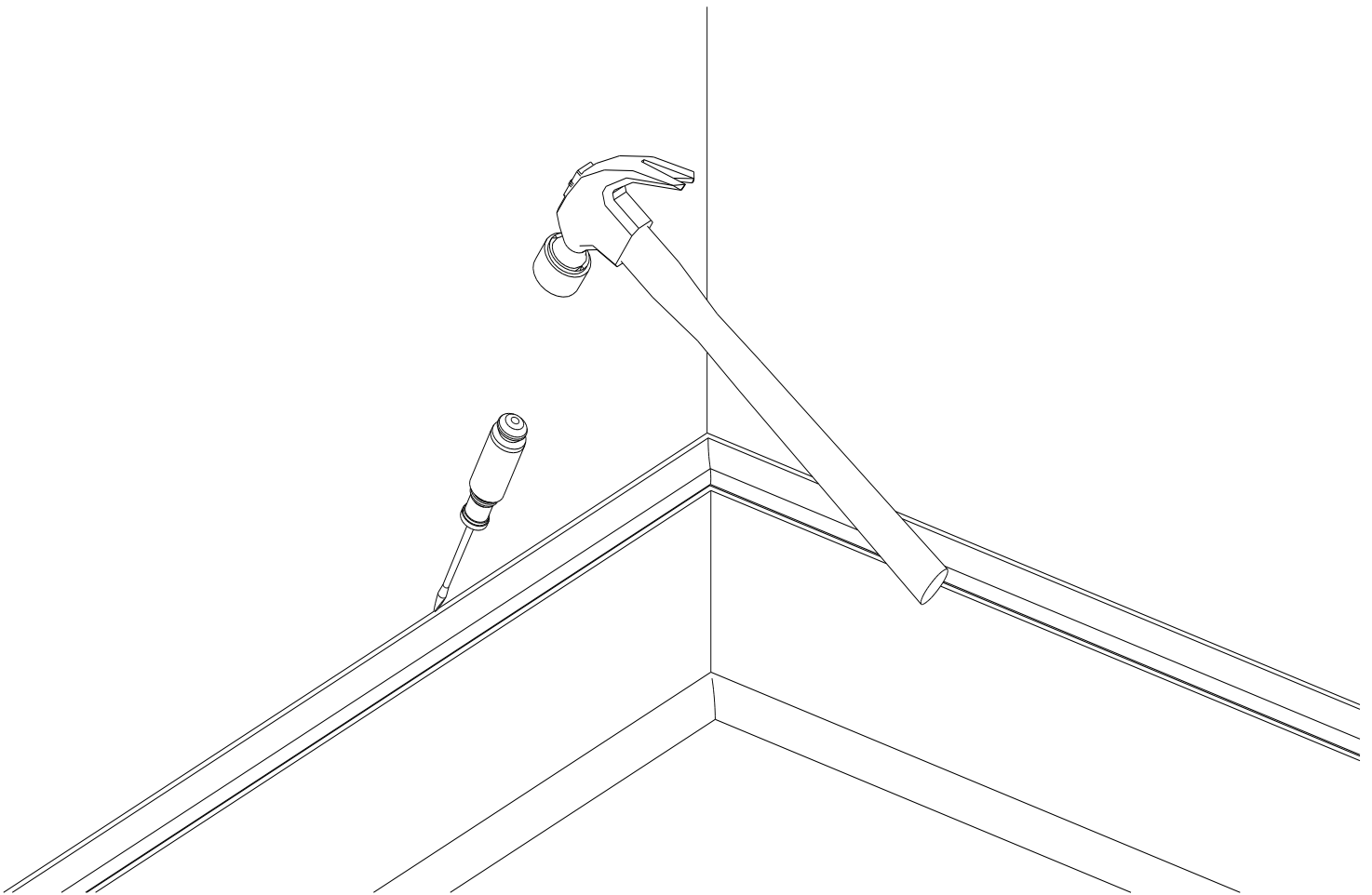
- 1. Inventory Check:** Begin by unpacking all the boxes and verifying the contents against the parts list provided. Ensure that you have all the necessary components and hardware.
- 2. Label and Sort:** Carefully read the labels on each box and sort the components according to the designated towers. This step is critical as it will help you avoid mixing parts that belong to different sections of the closet system.
- 3. Check Sizes:** Verify the sizes of the components against the measurements specified in your design PDF. Ensuring that each part matches the intended dimensions is crucial for a proper fit and installation.
- 4. Reference Your Design PDF:** Use the design PDF provided with your order to map out the correct placement of each component. This document will guide you in matching the parts to their specific locations within the closet system.
- 5. Read the Instructions:** Thoroughly read through the entire instruction manual before starting the assembly. Understanding the overall process and the sequence of steps will save you time and effort.
- 6. Additional Instructions:** For instructions on shelf pull-outs, wire baskets, sliding mirrors, tie racks, belt racks, scarf racks, ironing boards, pants racks, and valet rods please scan the QR code on this page or visit:
<https://www.modularclosets.com/pages/assembly-and-install>



By taking the time to carefully organize, understand your components, and reference your design PDF, you set the stage for a successful and stress-free installation. We are confident that with a little preparation, you will find the assembly process straightforward and rewarding. Thank you for your attention to these important details.

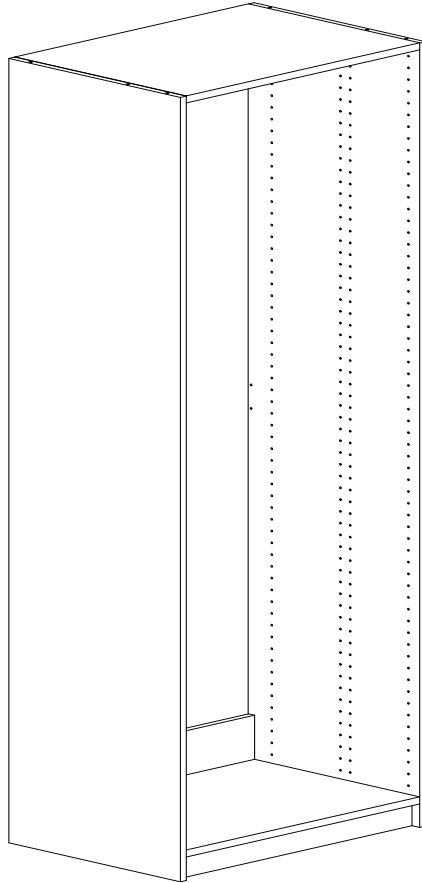
Now we can start building your new closet! It might feel a little overwhelming at first, but once you get the hang of it, it's really easy.

For all Alto Closet systems, remove the floor moldings from your space so that the closets can sit flush against the wall. This can be done with a hammer and a flathead screwdriver, as shown. We also recommend using a knife to score the paint along the molding so that it comes off smoothly.





The base units will be built and installed first in the following steps, and on page 45 starts the interior components assembly

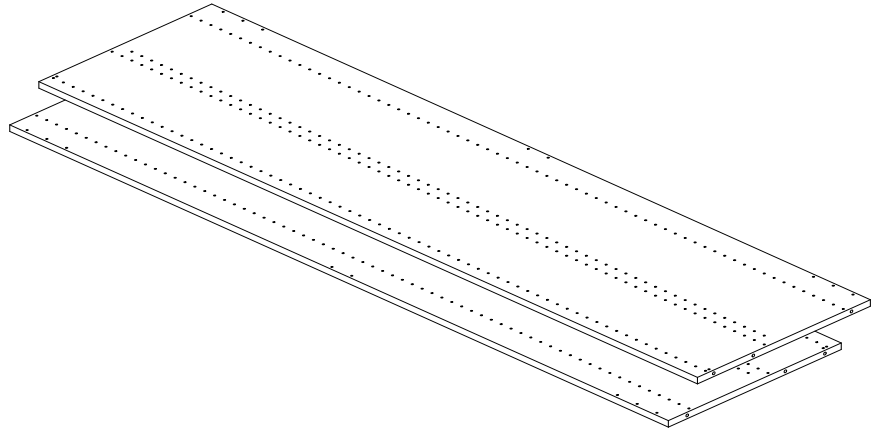


Boxes Needed

ALT-SP-1-DP22 (Qty 2)

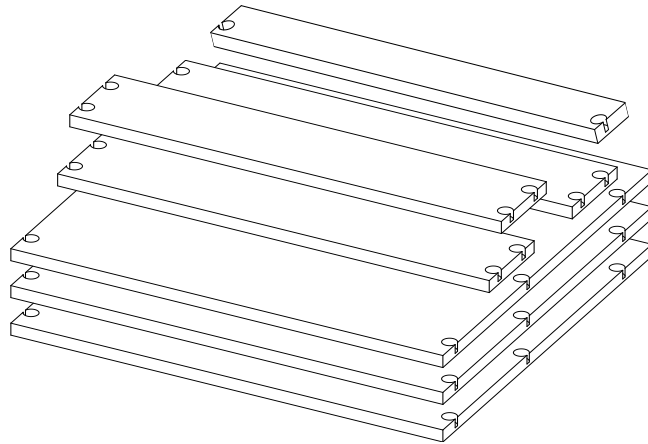
Alto Side Panel Pack

There are no Right and Left as each panel is built to be able to go on either side.



ALT-FS-(width)-DP22

Alto Fixed Shelf Pack

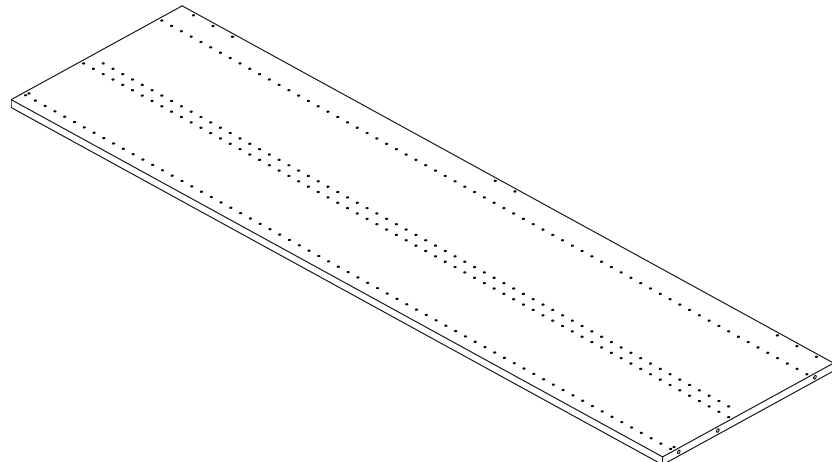


For Combined Units



ALT-CP-1-DP22

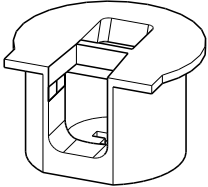
Alto Center Panel
(1 or 2 Pack)



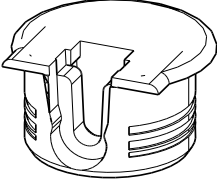


Hardware Packs Needed
ALT-HRDP-FS-DP22

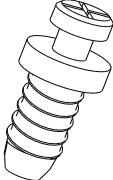
Rafix x16
has metal locking mechanism



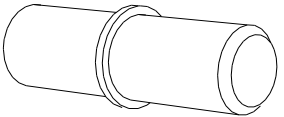
Wedgefix x16
solid white piece-no locking mechanism



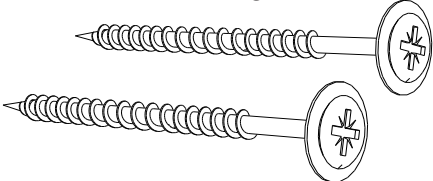
Screw Dowel x32



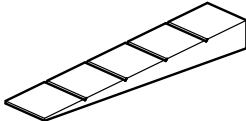
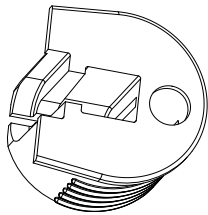
Shelf Pin x2



Anchor Screws x6

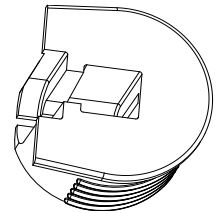


Leveling Wedge

Please Note: Rafix/Wedgefix

Rafix hardware has an additional hole at the top of the hardware to allow a screwdriver to secure the clip once inserted to screw dowel. Wedgefix hardware does NOT have this additional hole.

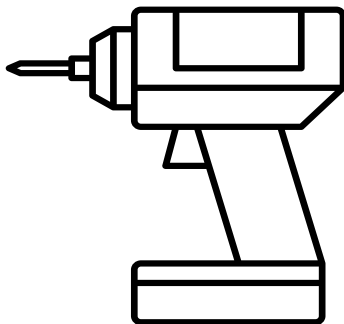


Tools Needed

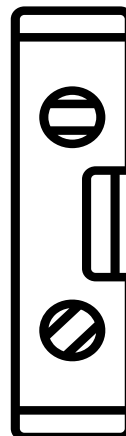
Rubber Mallet



Drill



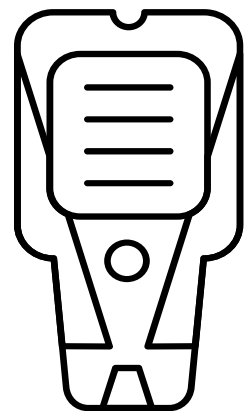
Level



Philips Screw Driver



Stud Finder

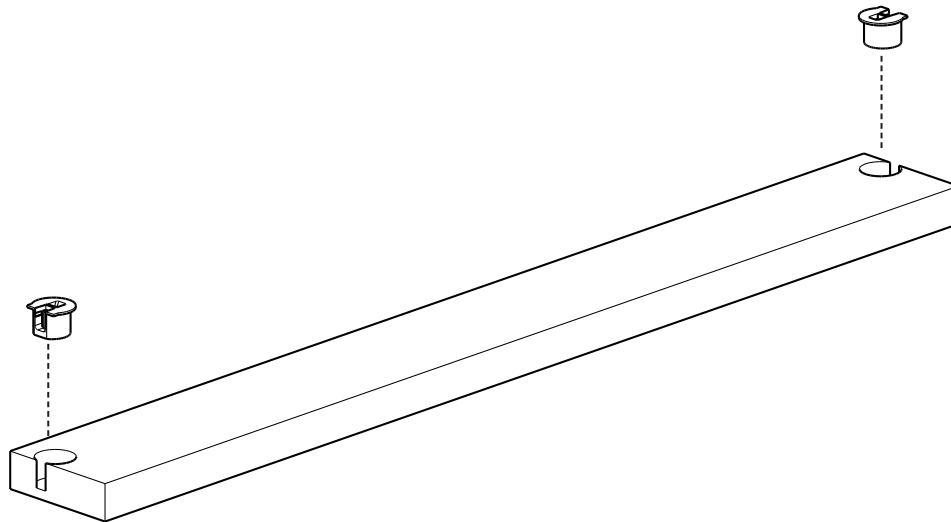
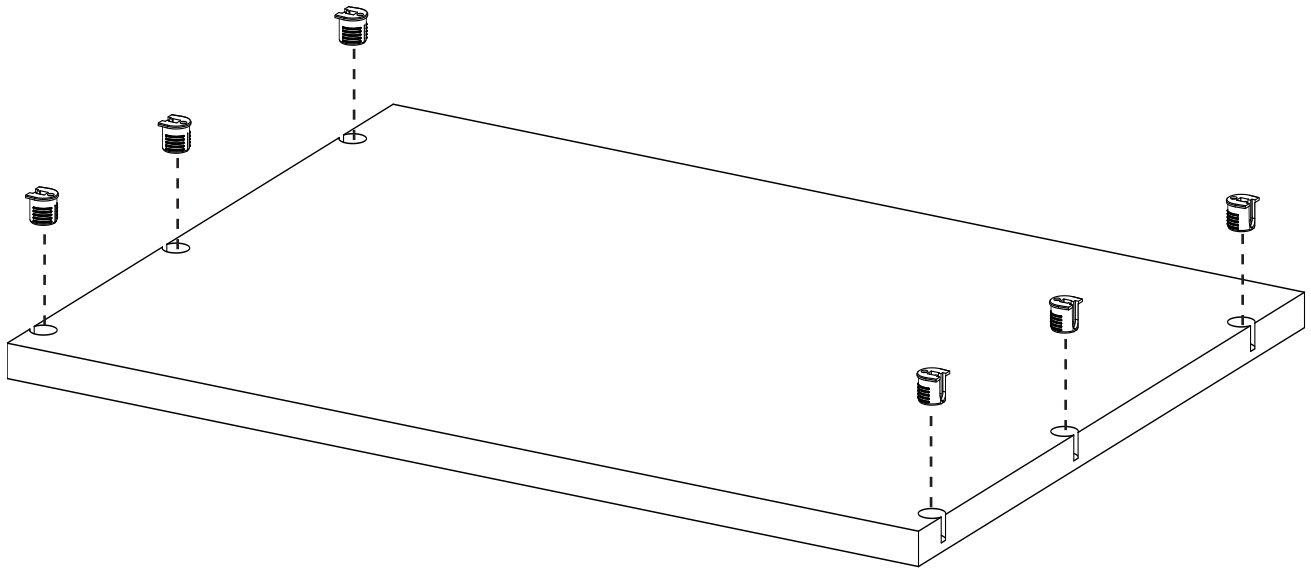


2 person assembly suggested

Step 1

From Box ALT-FS-(width)-DP22 take 2 shelves and the toe kick and insert the Rafx hardwre as shown below.

Rafx
x14

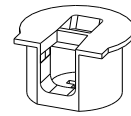




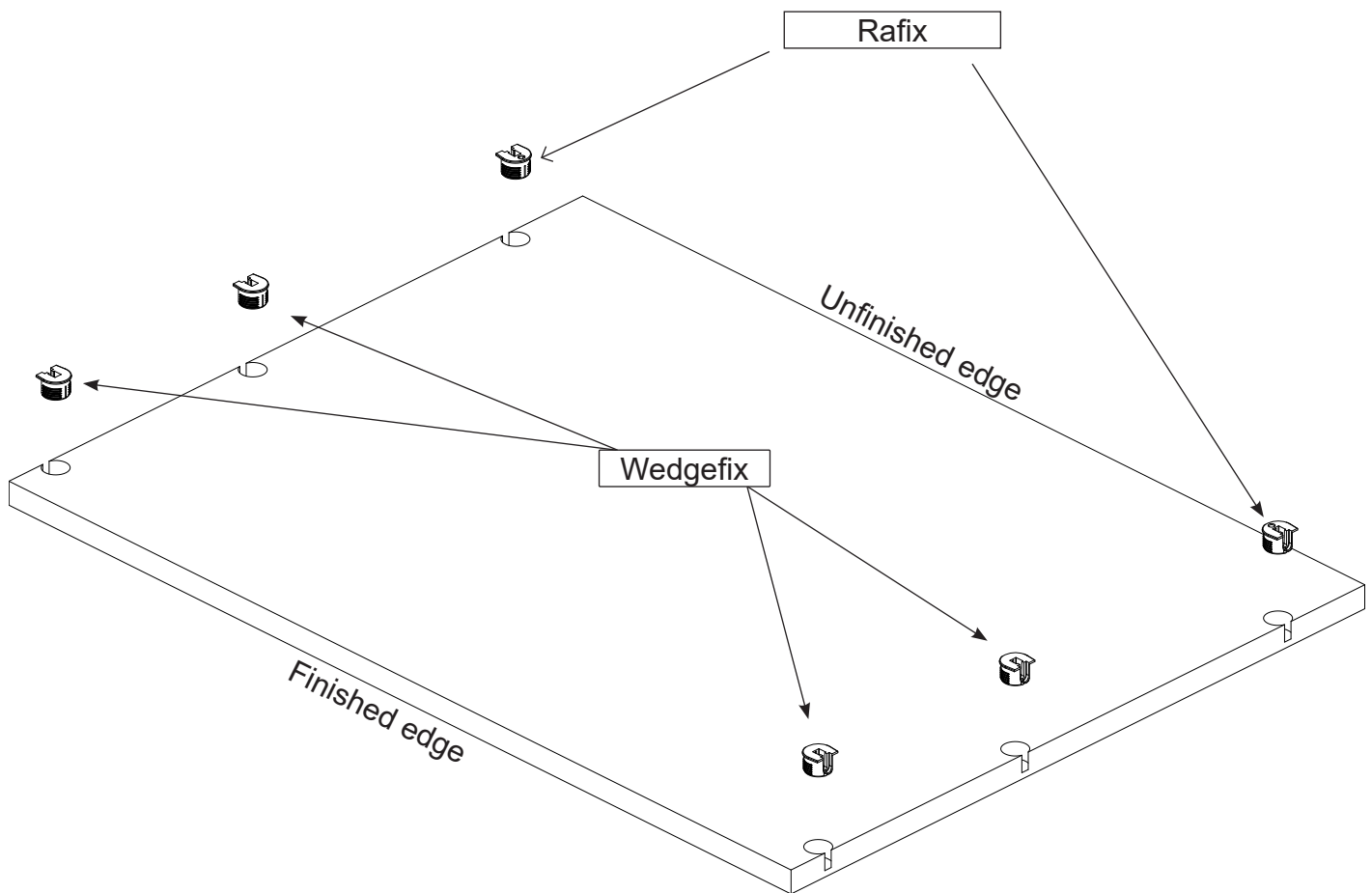
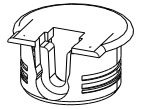
Step 2

For the 3rd fixed shelf, insert 2 Rafx hardware in the holes closer to the unfinished edge, and 2 Wedgefix hardware in the holes closer to the finished edge.

Rafx
x2



Wedgefix
x4



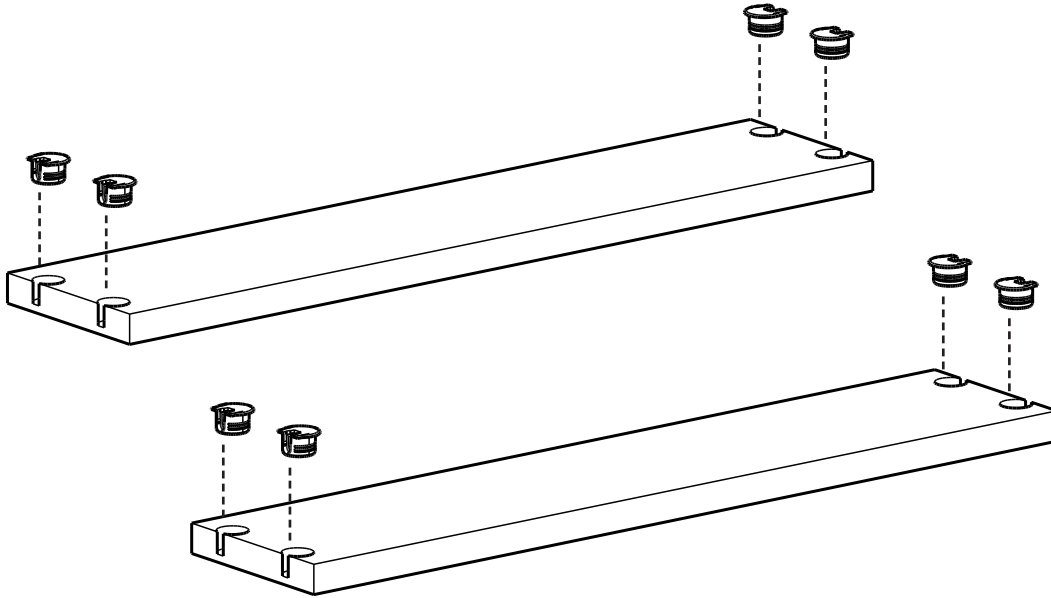
This will be used as the bottom fixed shelf



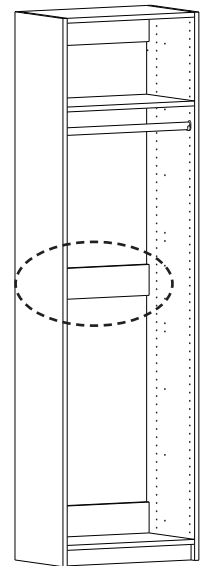
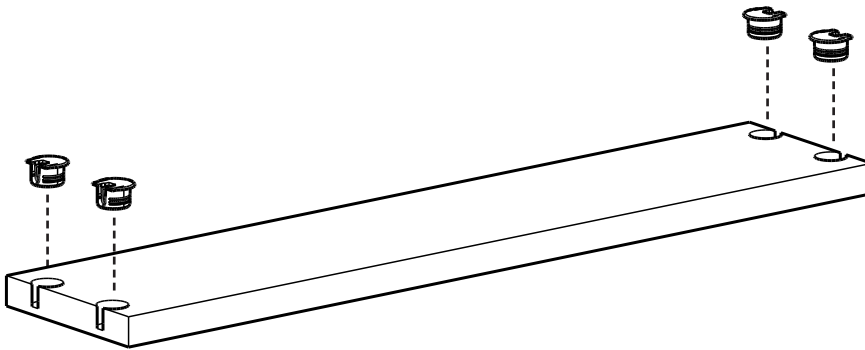
Step 3

Insert Wedgefix hardware into 2 (or for tall hanging, 3) cleats.

Wedgefix
x12



The third cleat will only be used in a tall hanging configuration



Repeat the above 3 steps for all the fixed shelf packs



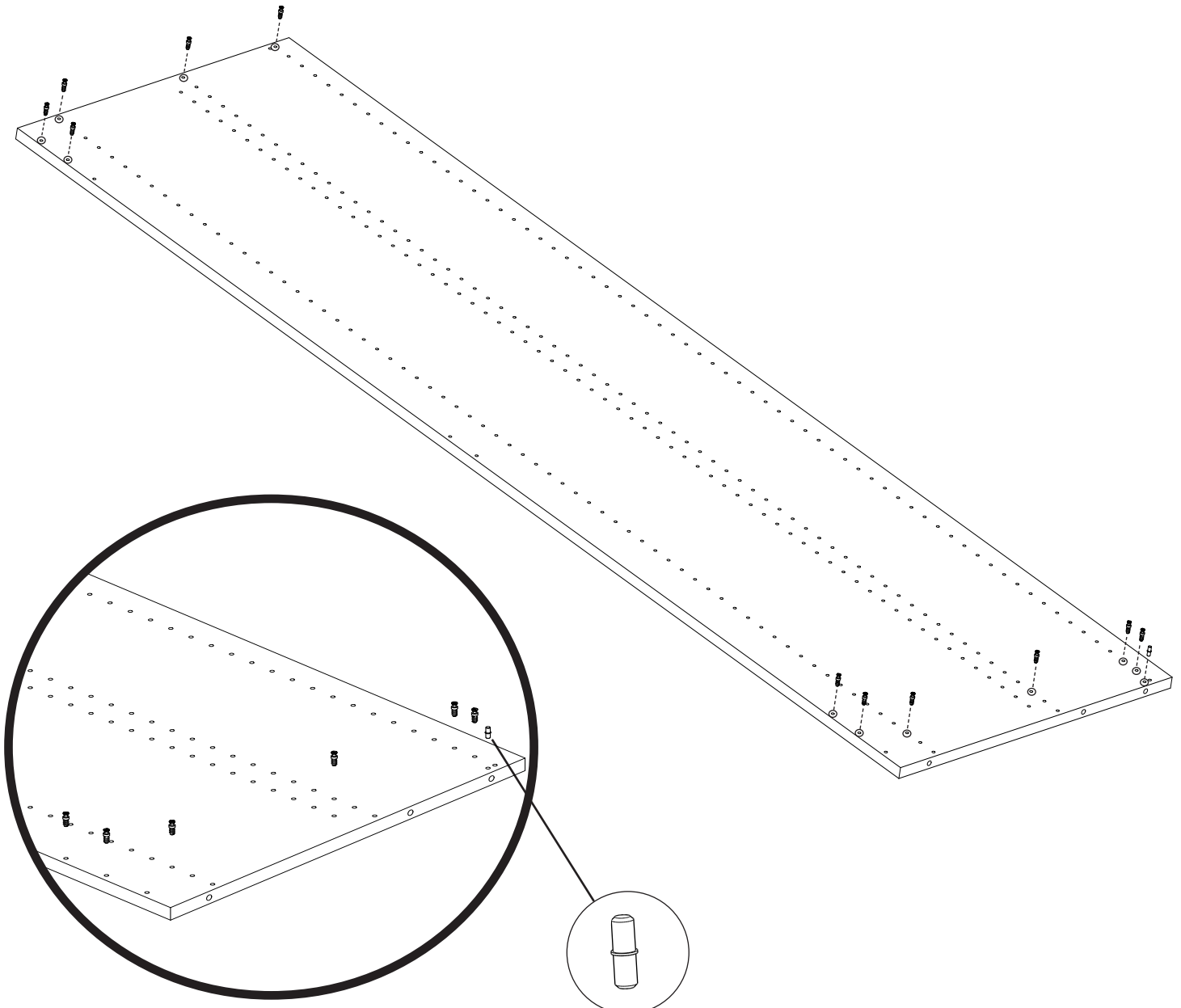
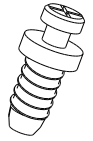
Step 4

Next, open the side panel pack (ALT-SP-1-DP22). Insert the screws on the first panel as shown below.

Shelf Pin Screw Dowel

x1

x11



Shelf Pin here

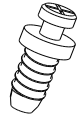
Step 5

Next, open the second side panel pack (ALT-SP-1-DP22). Insert the Screw Dowels and Shelf Pin.

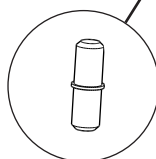
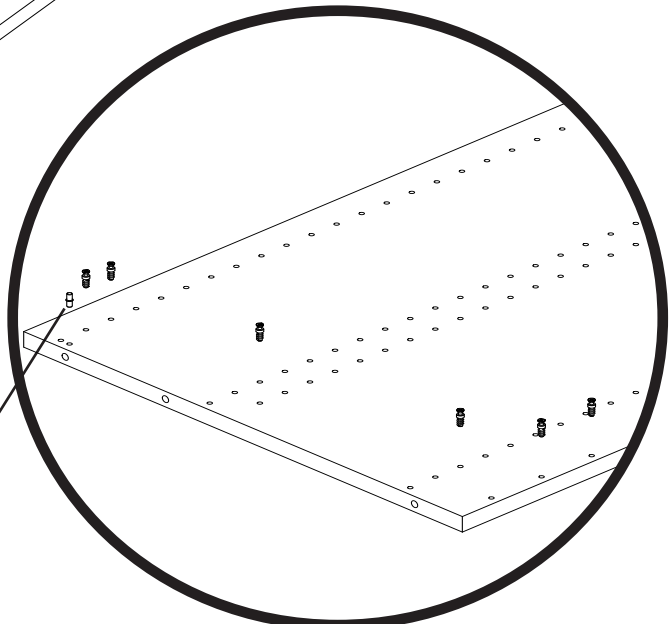
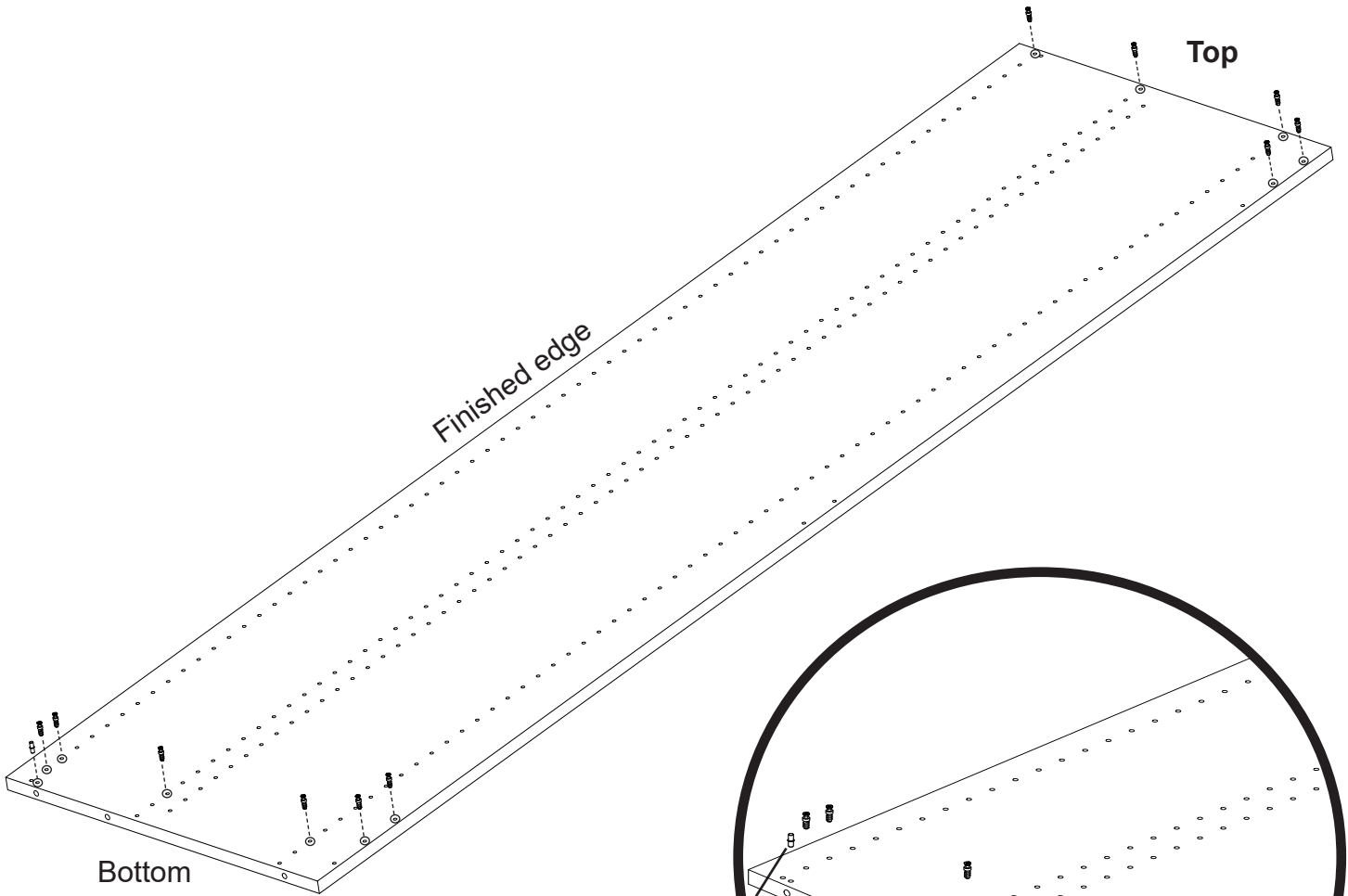
Shelf Pin
x1



Screw Dowel
x11



Left



Shelf Pin here



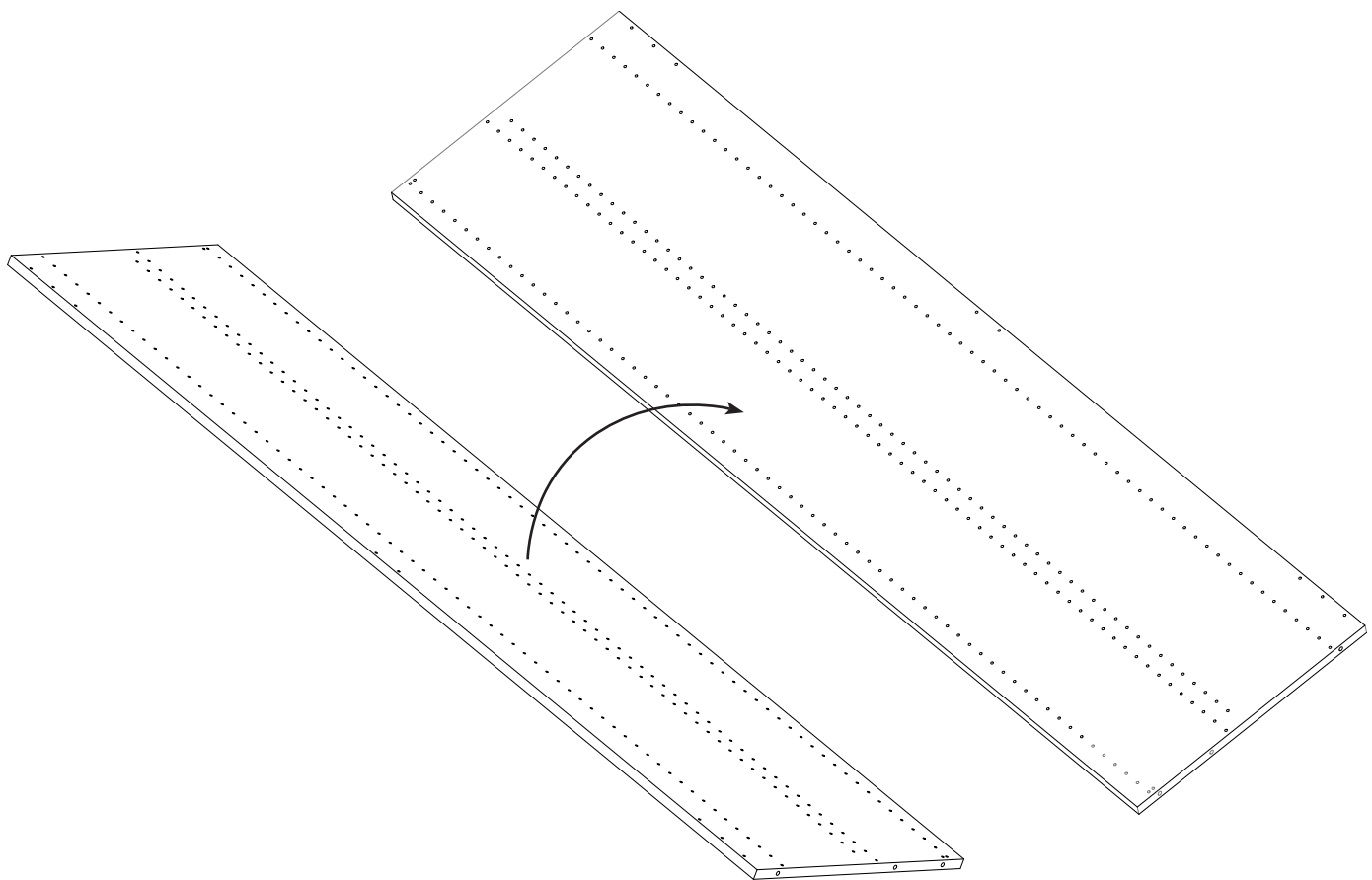
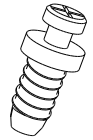
Step 6

When units share a side, use Center Panel (ALT-CP-1-DP22). Insert Screw Dowels and Shelf Pins as shown in step 4. Then flip the panel over and insert Screw Dowels and Shelf Pins as shown in step 5.

Shelf Pin
x2



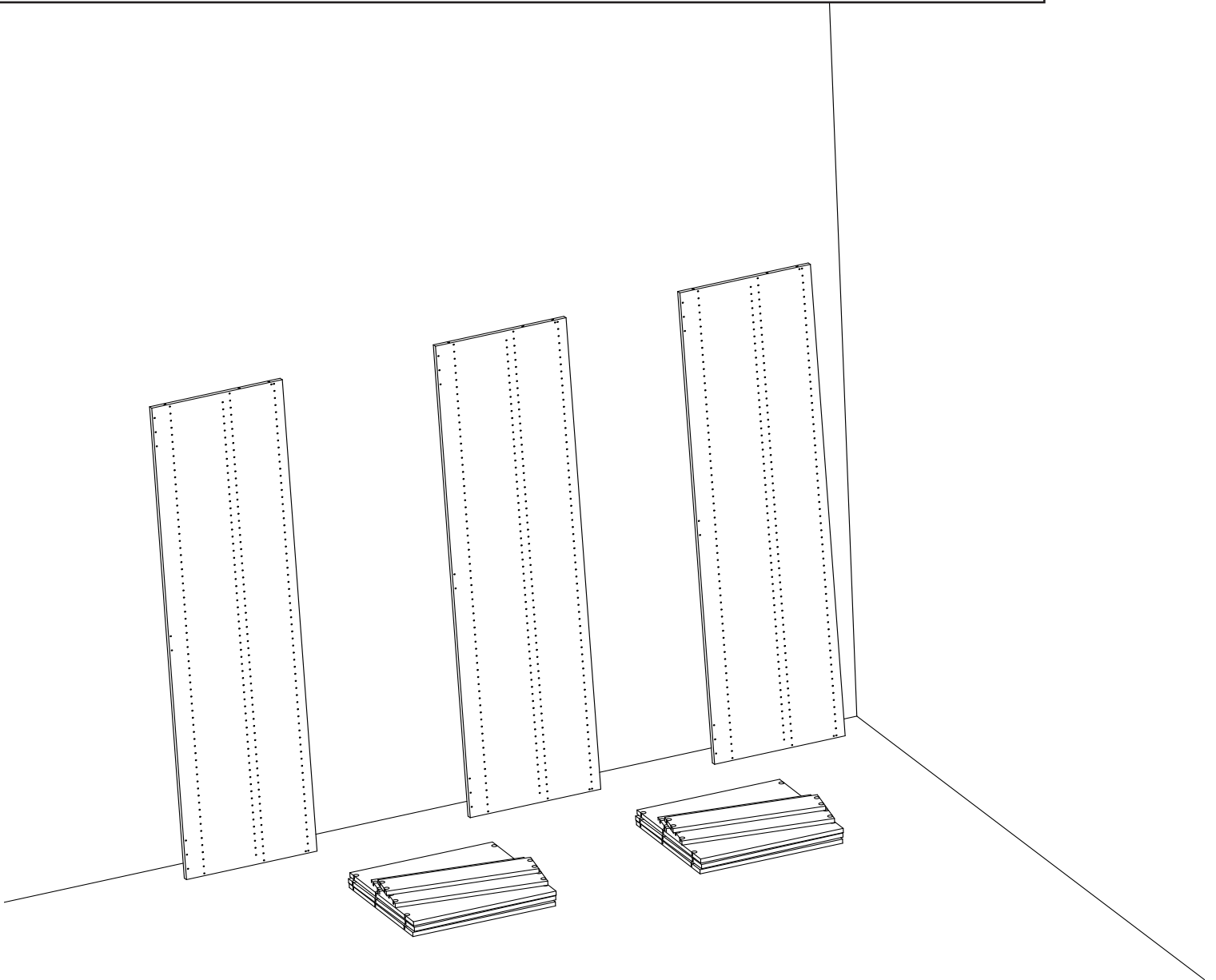
Screw Dowel
x22





Step 7

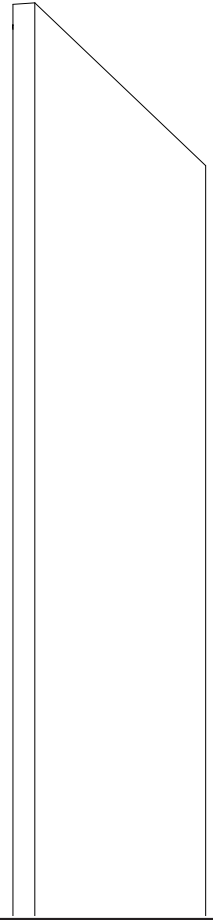
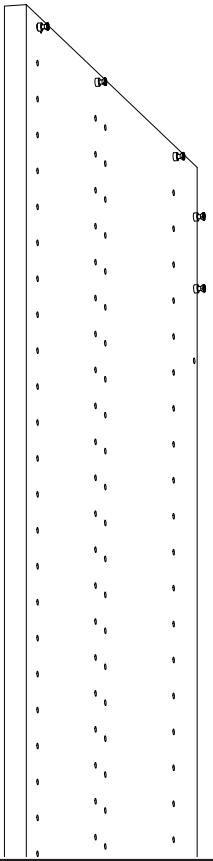
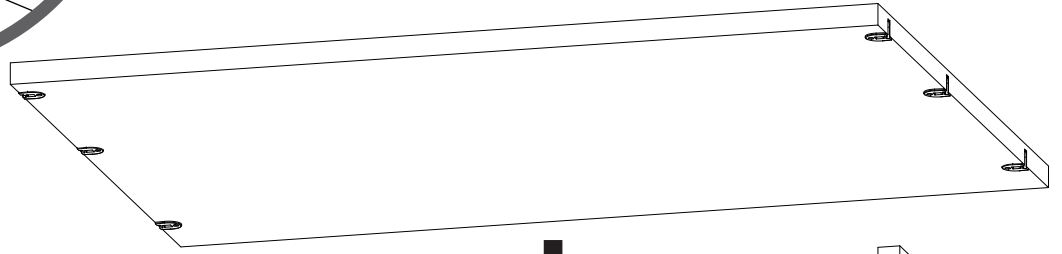
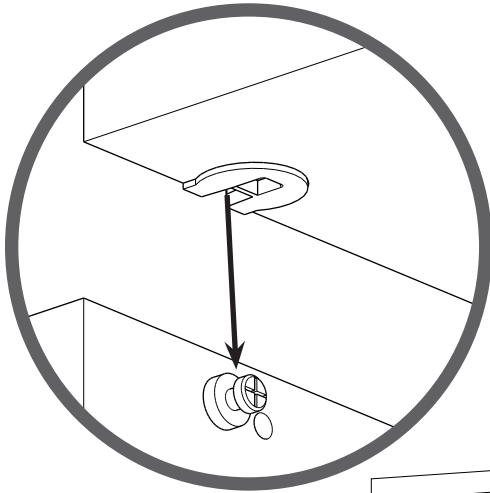
Line up the panels along the wall in the order that the panels will be installed. Side panels will be on each end with center panels in the middle. Set up piles with the fixed shelves and cleats in between the panels, in order to have them on hand during the installation. Ensure that you have the correct sizes in the correct spots.





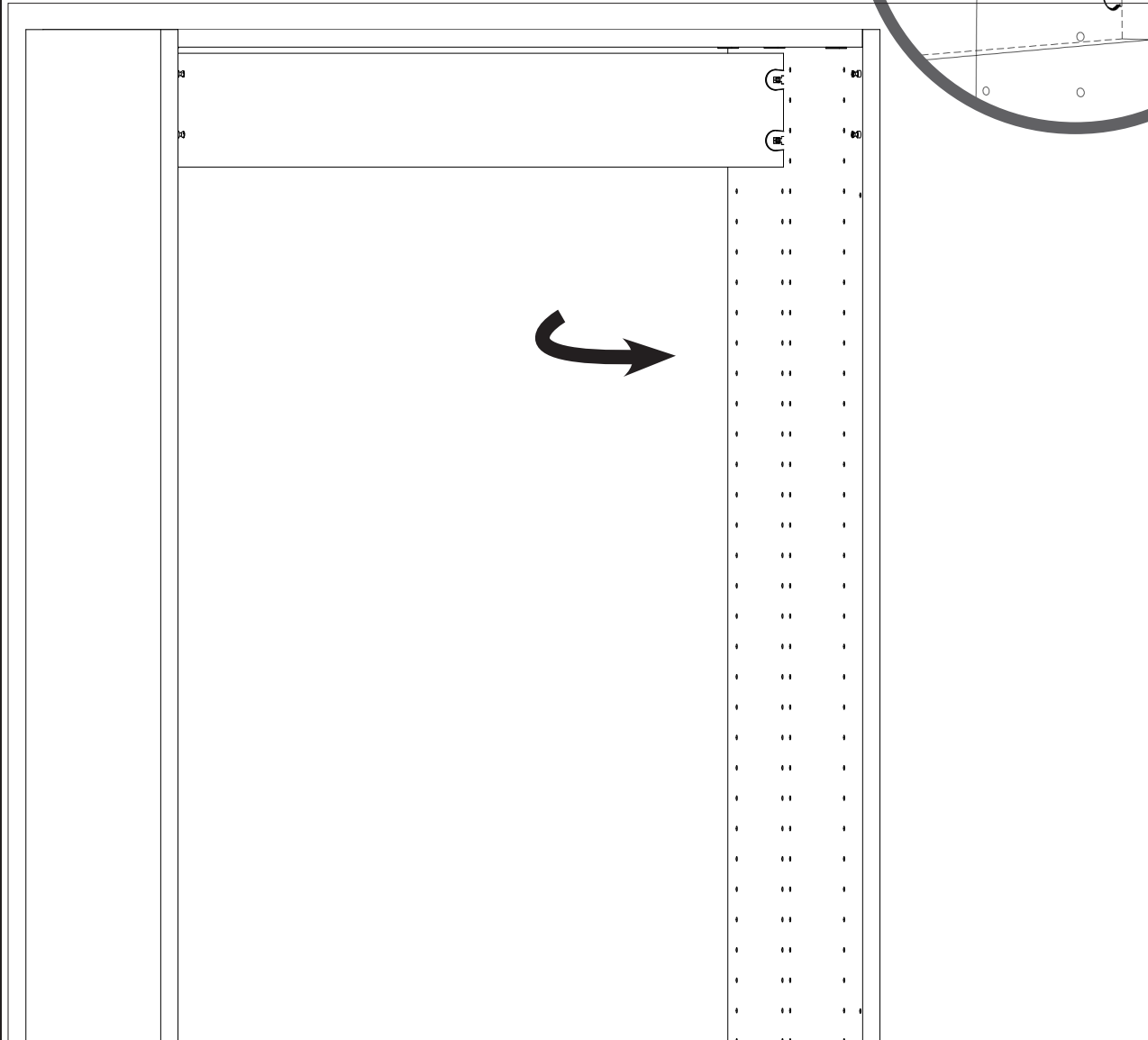
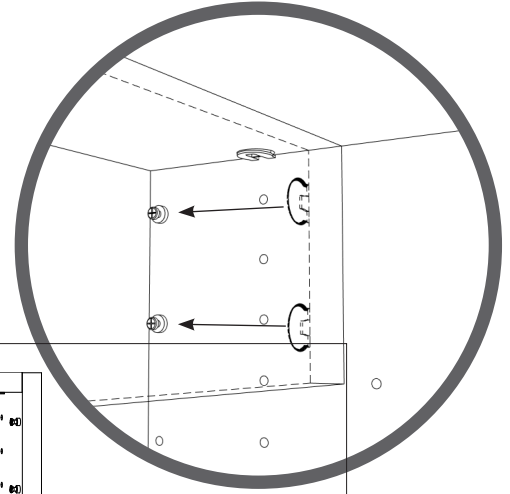
Step 8

Connect the left-most side panel to the adjacent center panel by attaching 1 of the fixed shelves (rafixes only) onto the top of the panels, as shown below. (refer to your closet plan to ensure the correct shelf size)



Step 9

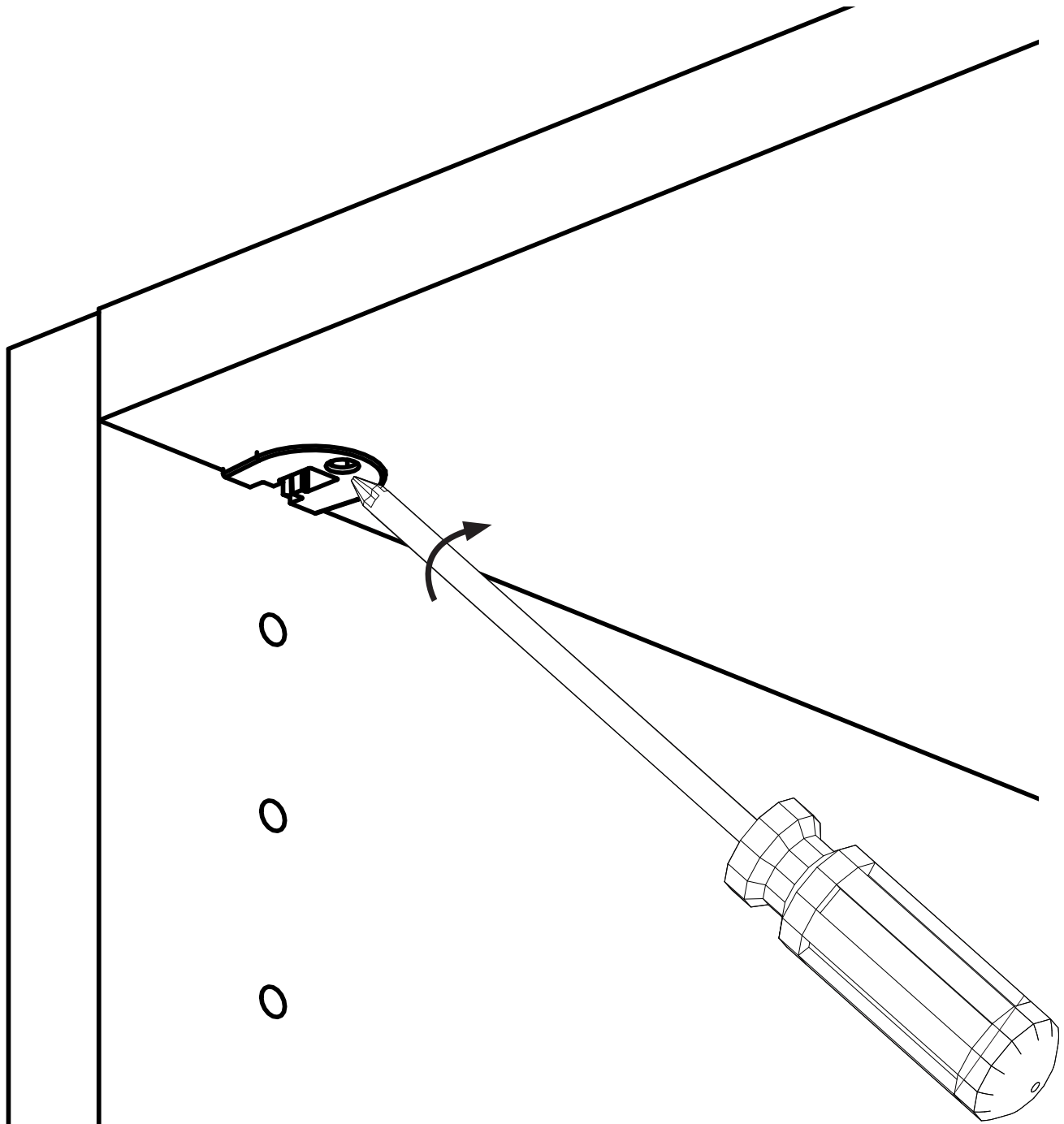
Hold steady and connect the cleat to the panels by simply clicking the wedgfixes into the screw dowels on each side.





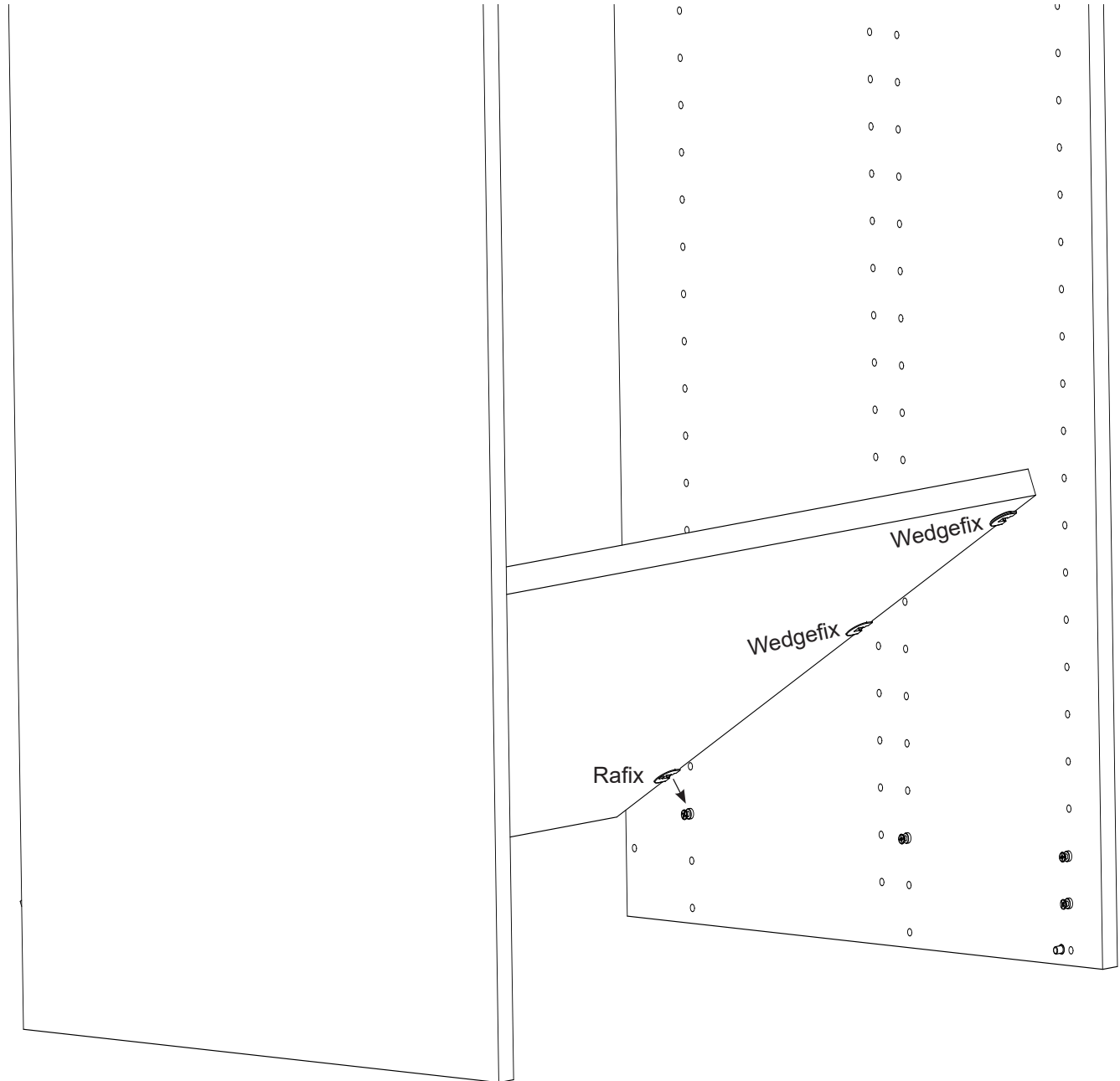
Step 10

Using a Philips screw driver, tighten and secure all 6 rafixes



Step 11

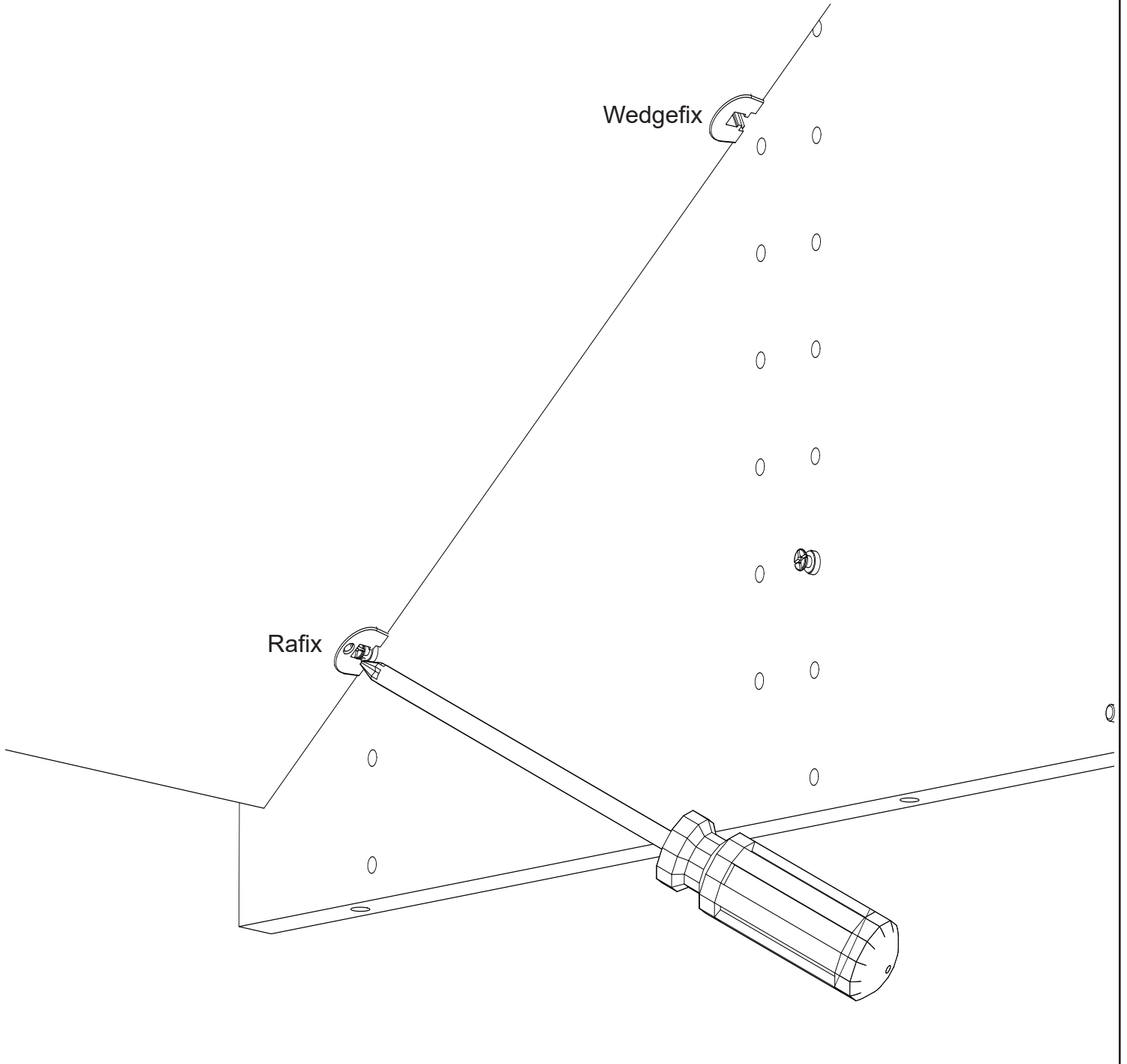
Insert the bottom fixed shelf (with 2 rafixes and 4 wedgexes from step 2) and insert the back 2 rafixes into the screw dowels as shown below.





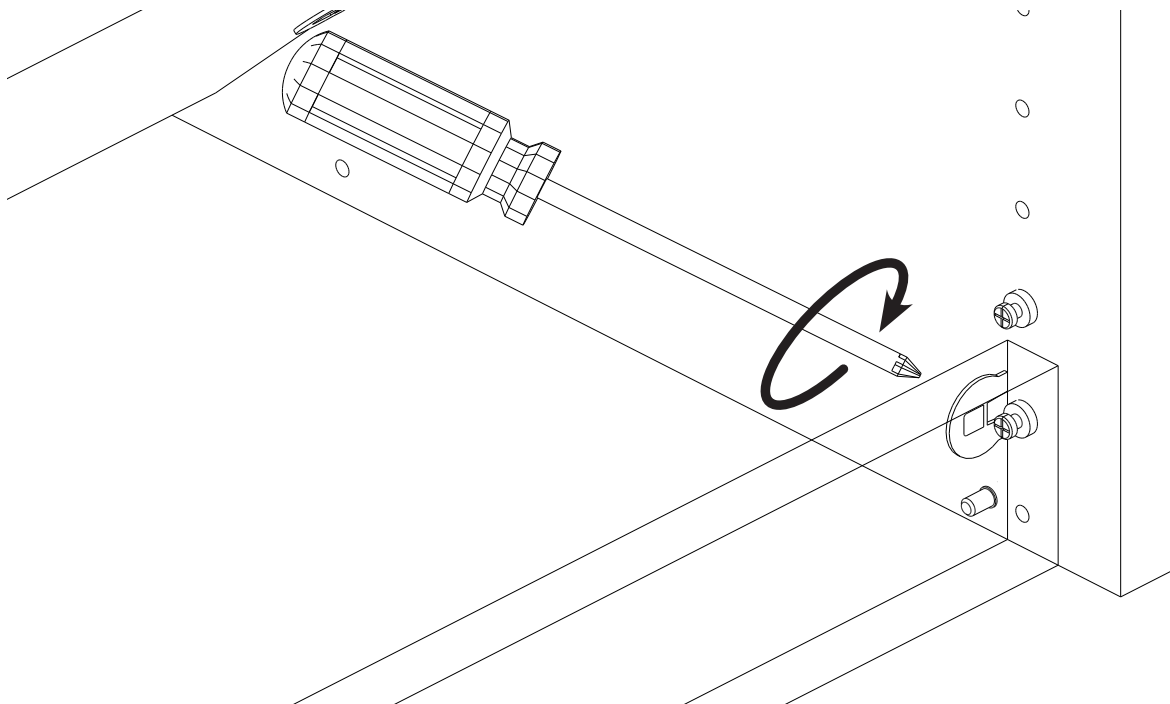
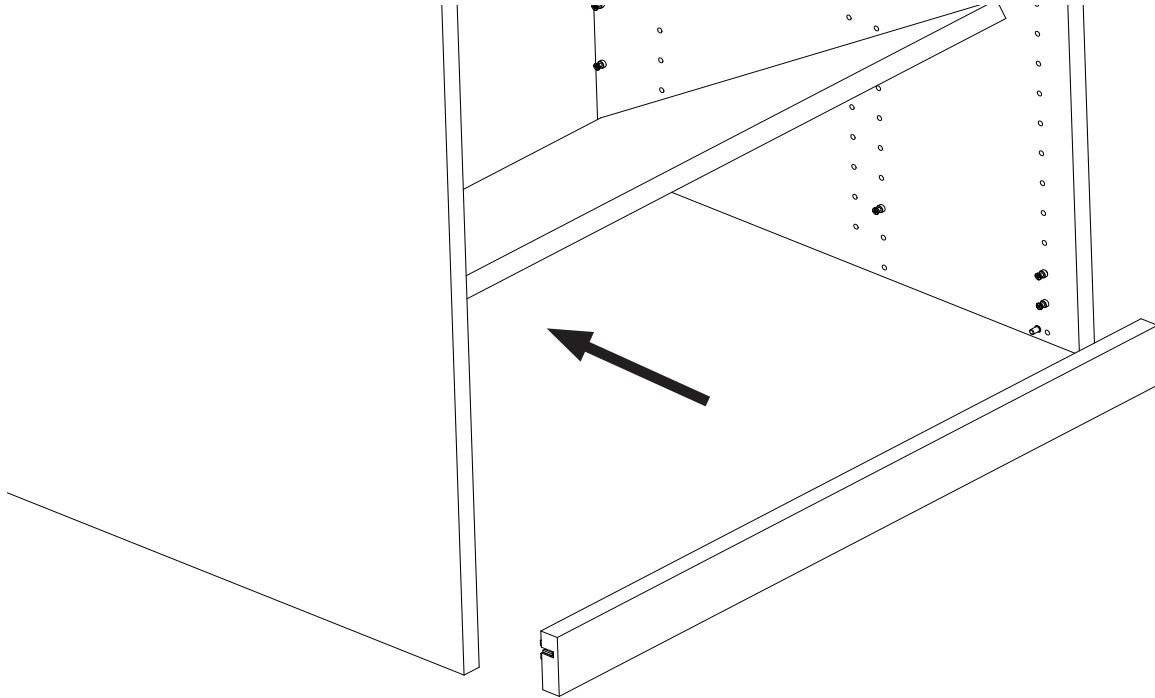
Step 12

Hold the shelf at an angle and tighten and secure the rafxes on either side



Step 13

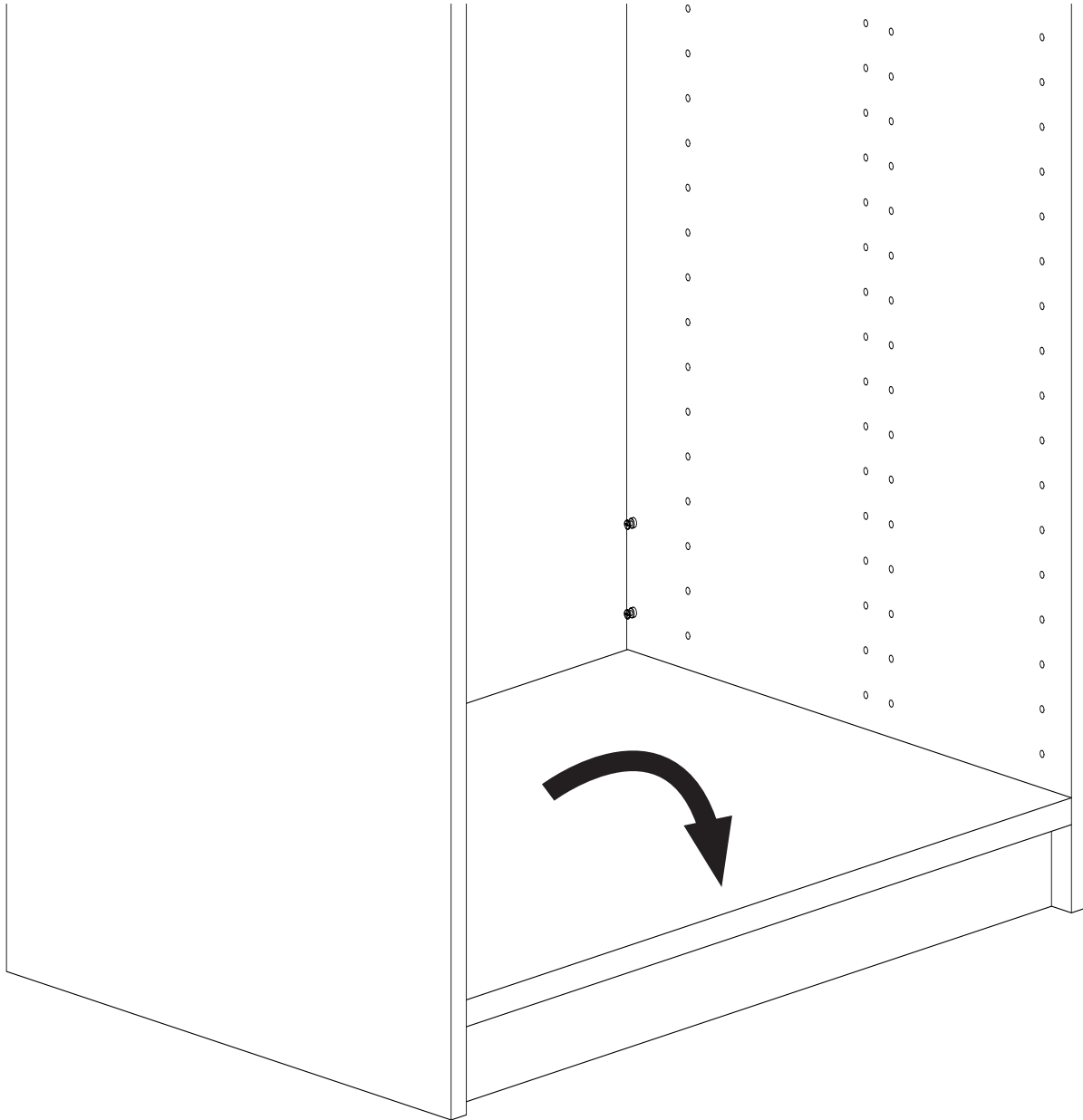
Insert the toe kick by securing then tightening the rafixes.





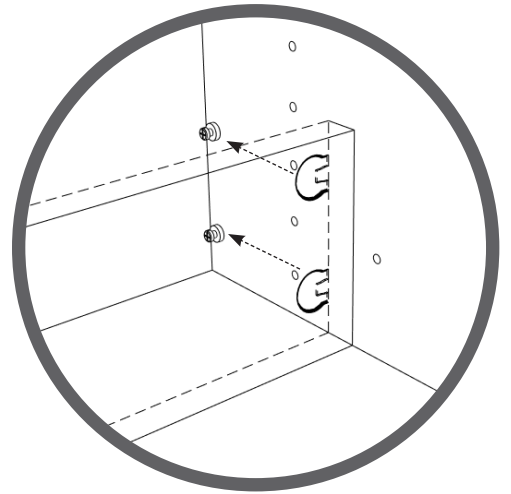
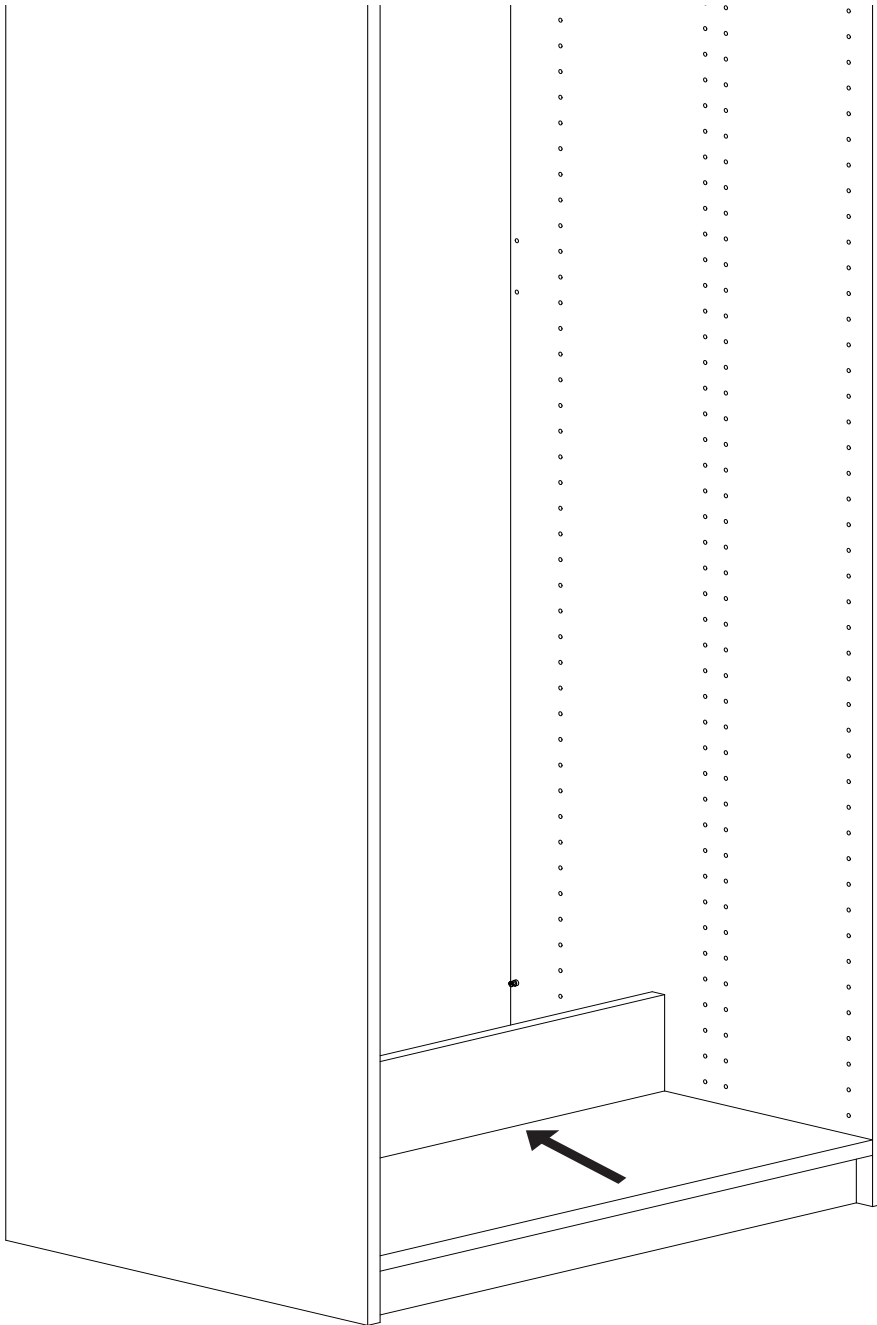
Step 14

Swing down the shelf to rest on the front 4 screw dowels.



Step 15

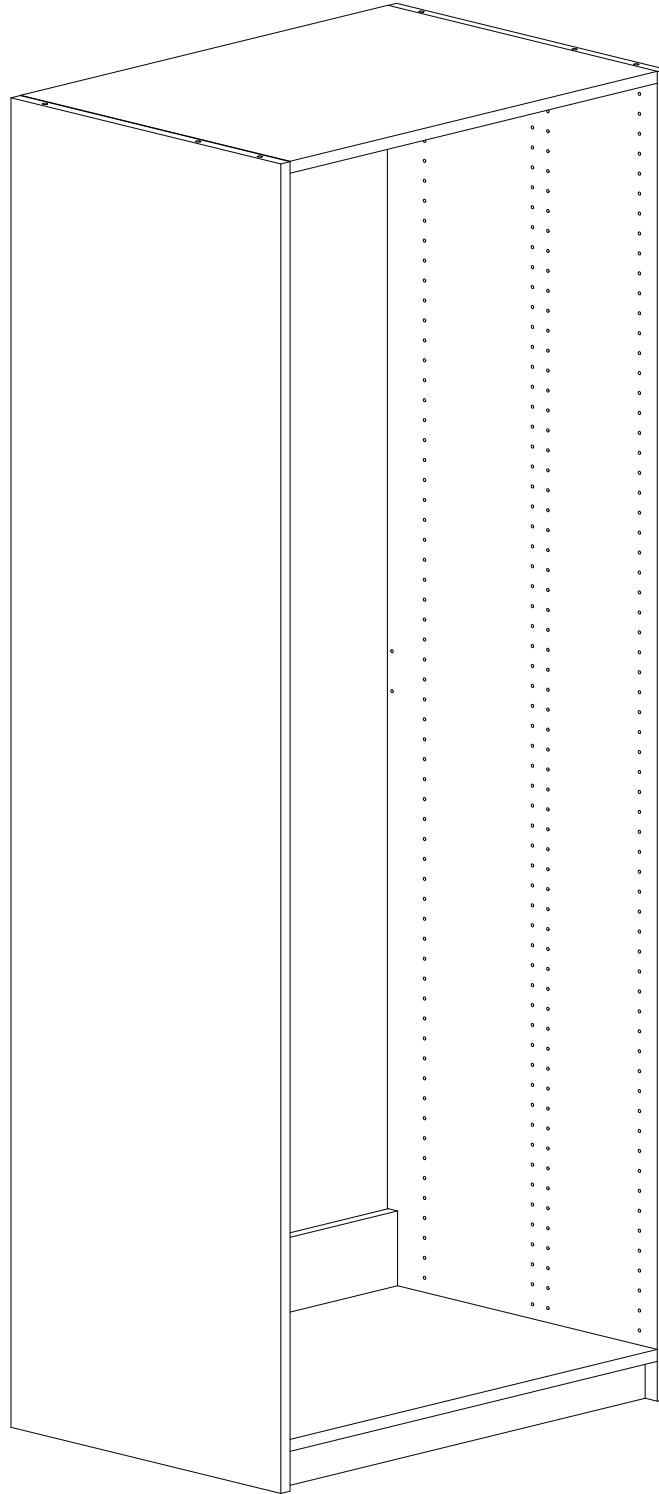
Connect bottom cleat by simply clicking the wedgfixes into the screw dowels on each side.





Step 16

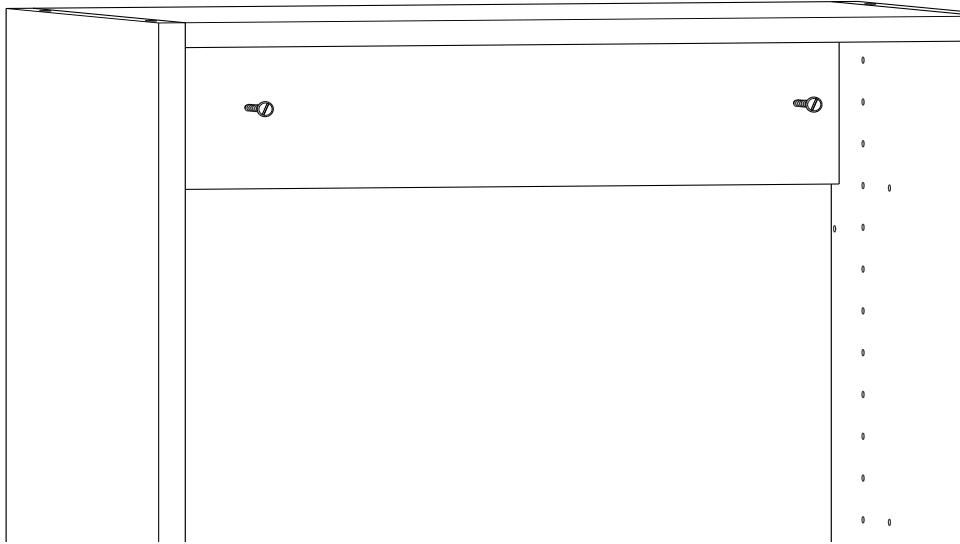
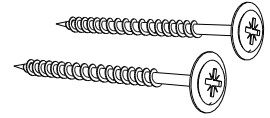
You have now completed the first base unit! Simply repeat steps 8-15 for the remaining units.



Step 17

Using a stud finder, search for the studs in the wall and drill the screws through the top and bottom cleats in each unit into the studs. If there is only one stud, drill two screws into each cleat, one on top of the other.

Anchor Screws
x4





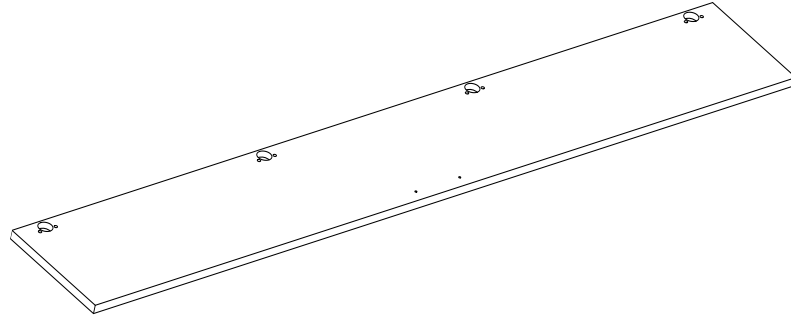
Door Assembly Parts Needed

Door Sizes:

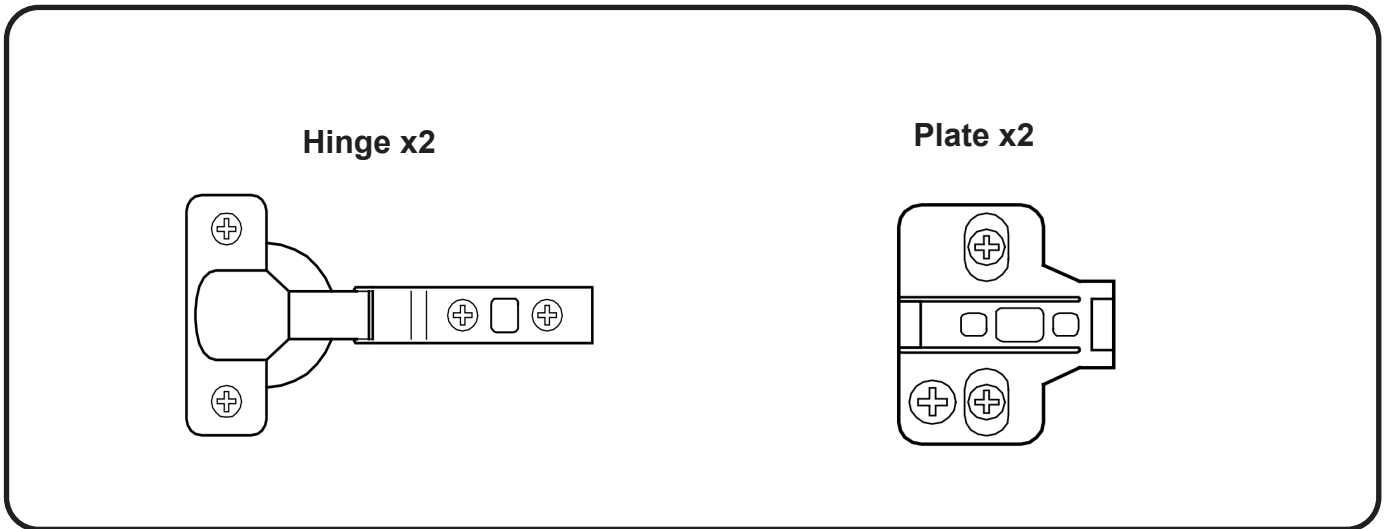
- ALTO-FDO
- ALTO-LDO
- ALTO-HDO
- ALTO-SDO
- ALTO-EDO

*The following widths
only come with 1 door.*

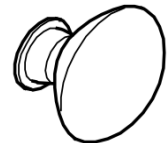
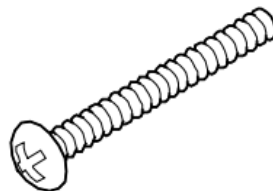
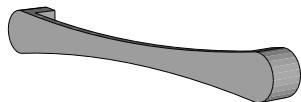
*(21"/19.5"/18"/16.5" only has
1 per pack)*



Hardware Packs Needed
ALT-HRDP-DO
(2x Hardware Packs for FDO/LDO)

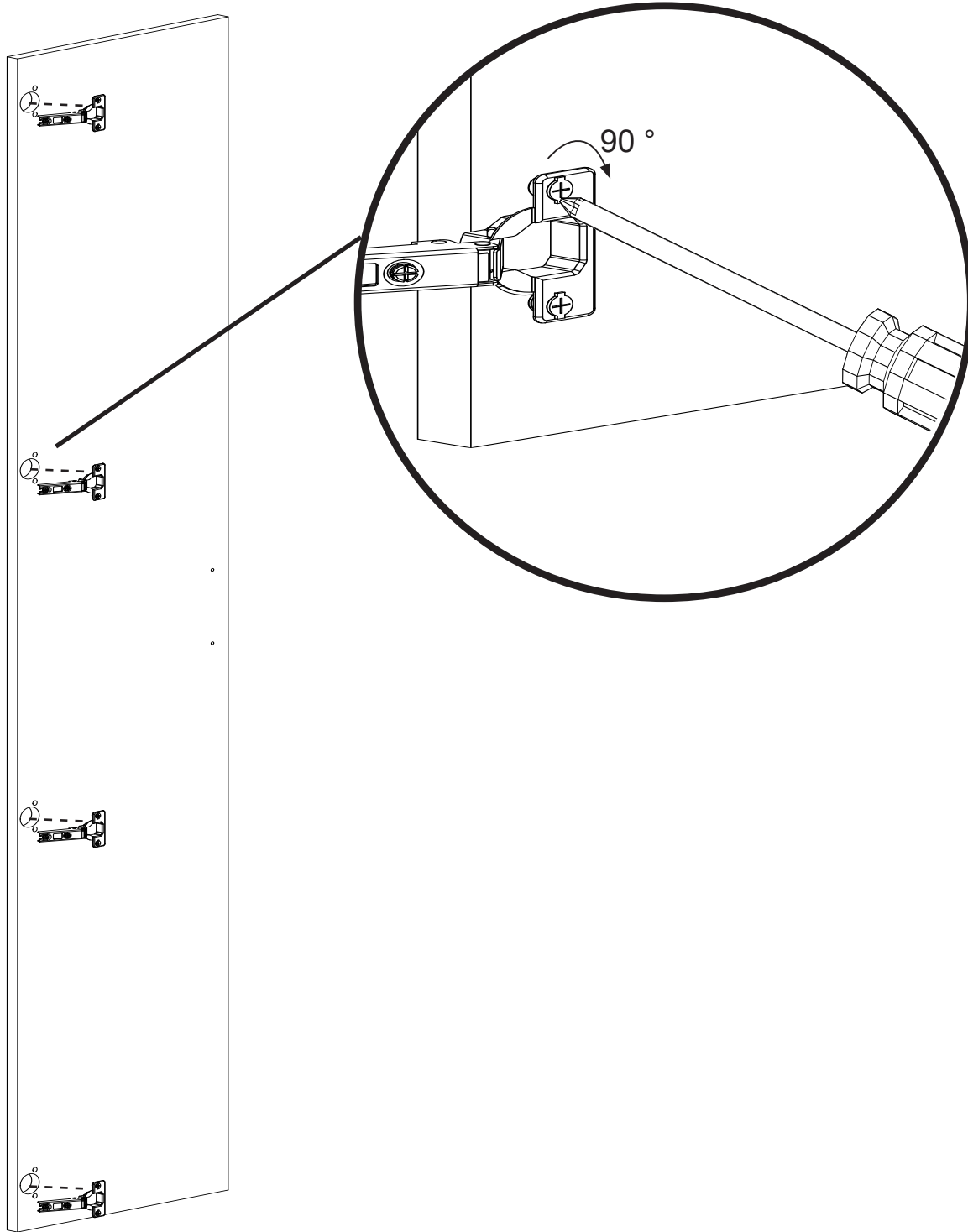


Knob/Pull and attaching screws are separate.



Step 1

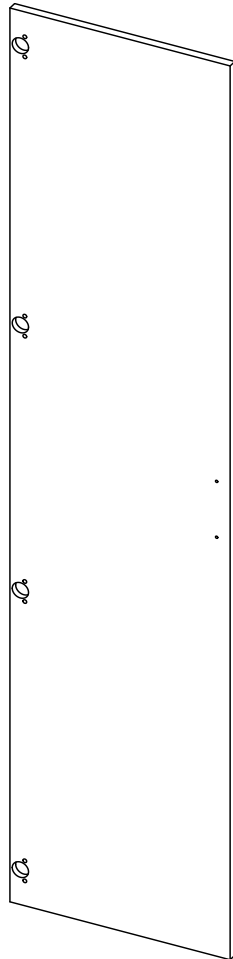
Take Alto Door and insert hinge hardware. Use screwdriver to tighten all captive screws into place.



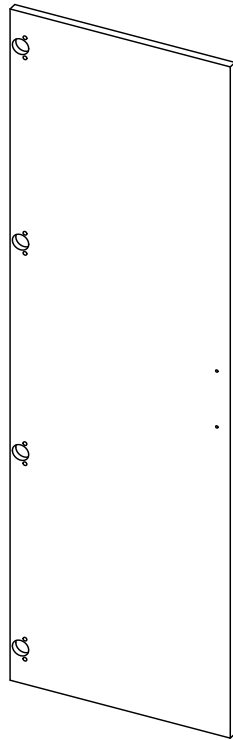


Step 1 (cont..)

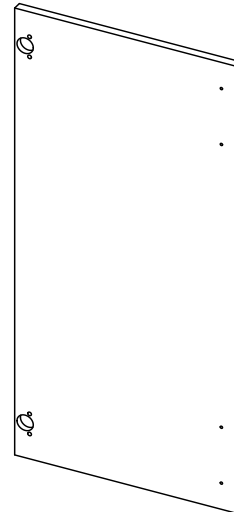
ALTO-FDO and ALTO-LDO both have four slots for each hinge hardware. All other doors have 2 slots. Please insert a hinge into all of the slots.



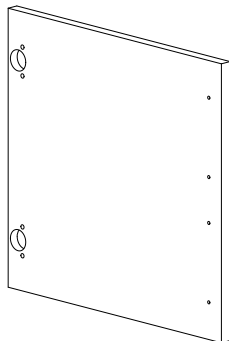
ALTO-FDO



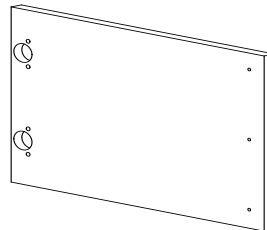
ALTO-LDO



ALTO-HDO

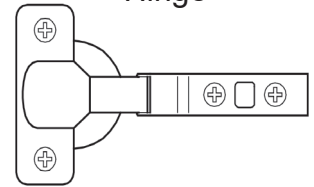


ALTO-EDO



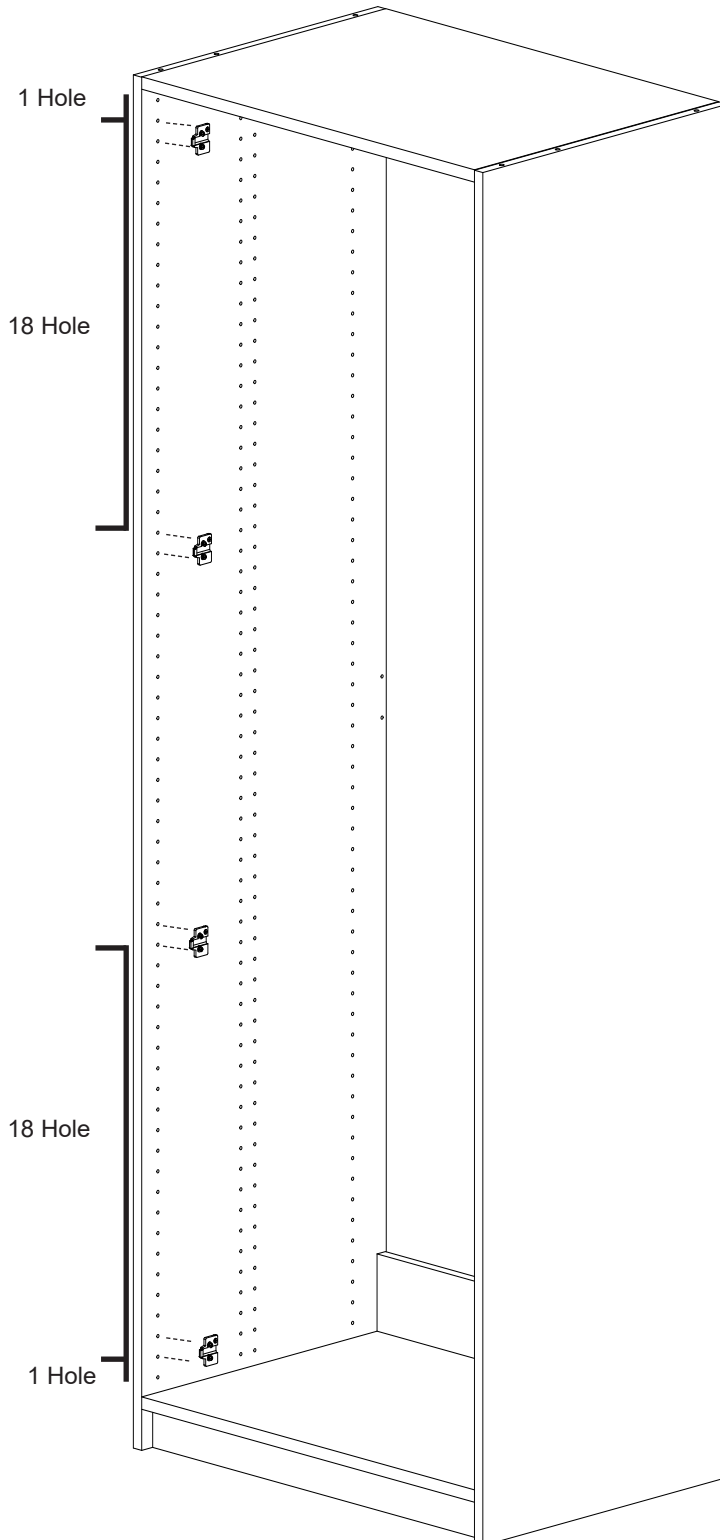
ALTO-SDO

Hinge



Step 2

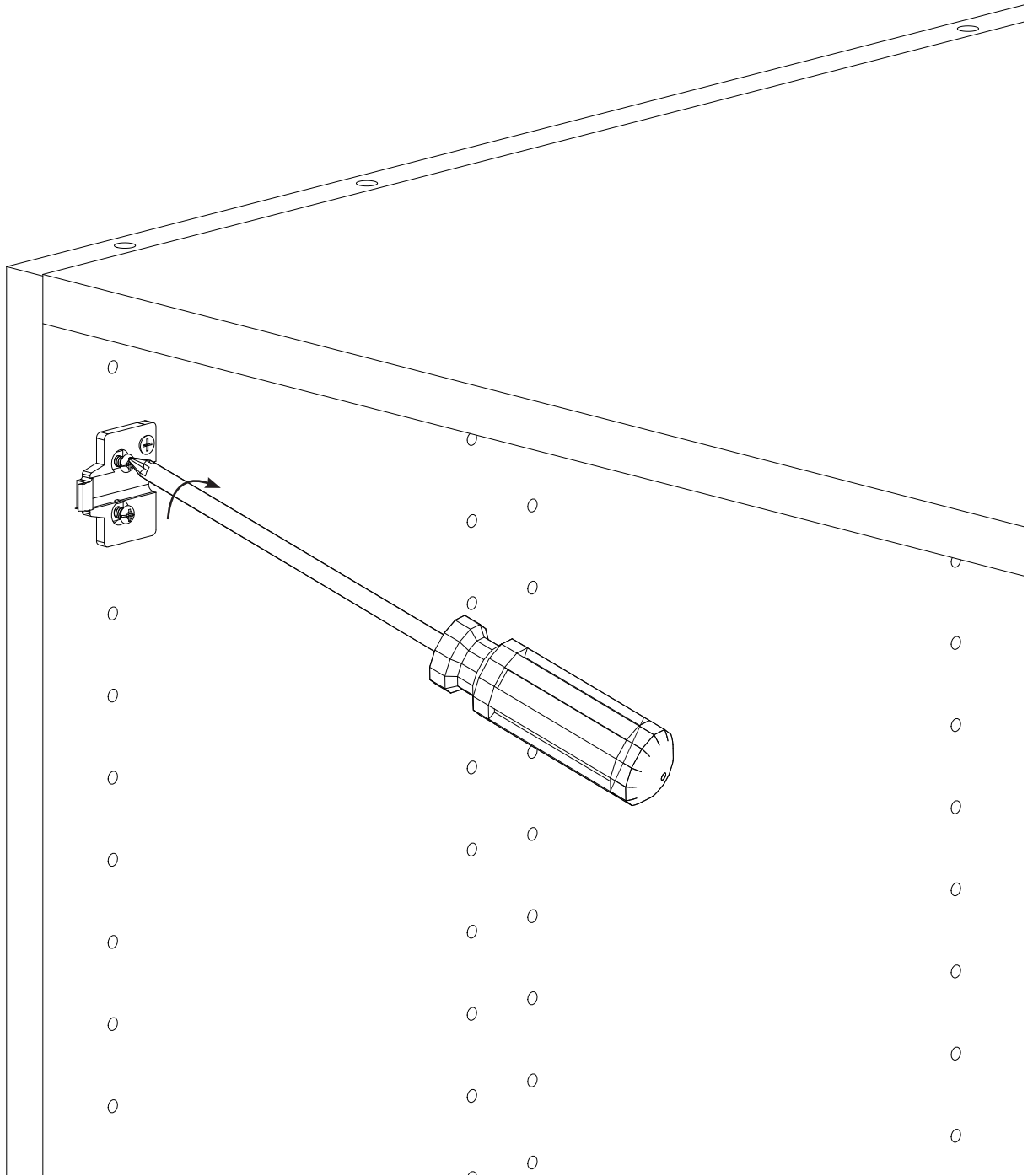
Insert hinges into front drilling on built wardrobe side panels. Refer to image below for exact placings.





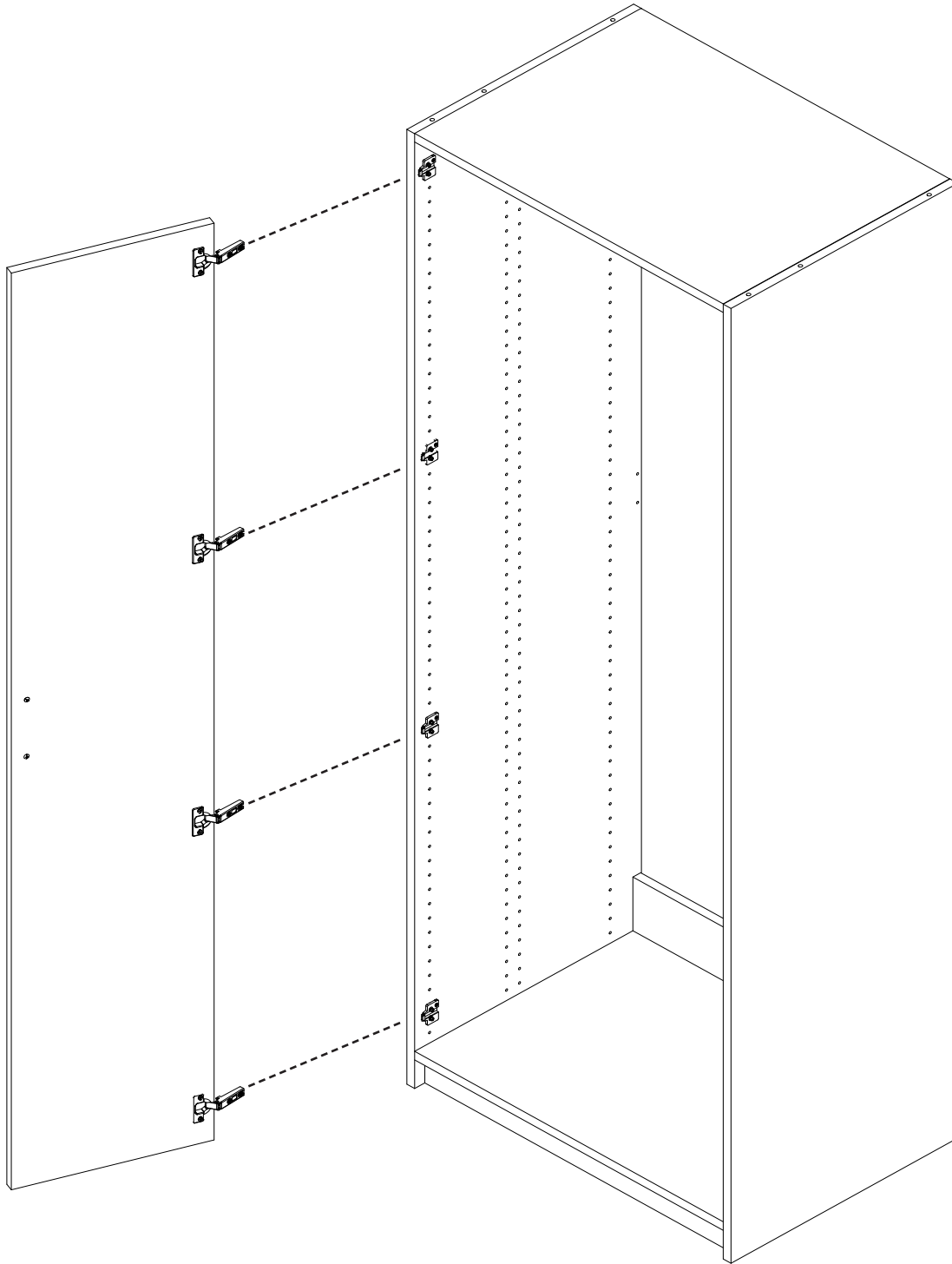
Step 3

After ensuring all plates are in the correct spots for door hinges to match, tighten all captive screws in plates.



Step 4

Insert door hinges into plates. Make sure all 4 hinges click into each plate.



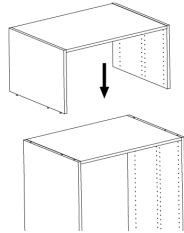


Interior Component Assembly

Refer to your closet plan for the interior components and follow the manual for assembly.

The default configurations shown here are just examples and may not always match your custom design.

(Extension Side Panels Begin at page 42)

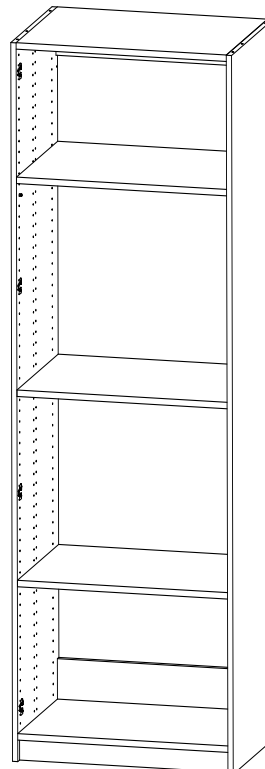
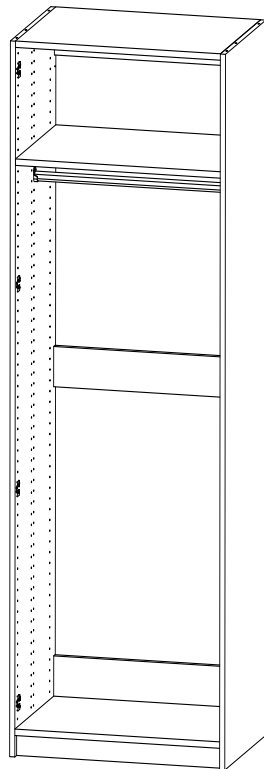
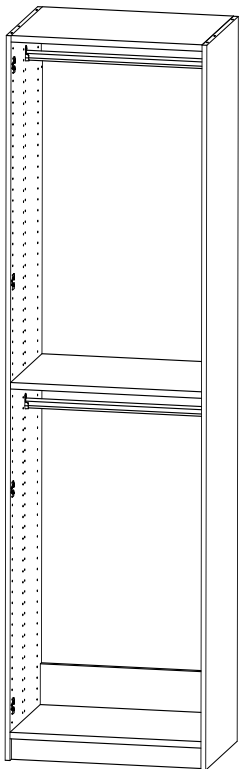


Double Hang Assembly

Tall Hanging Assembly

Adjustable Shelf Assembly

Drawer Assembly



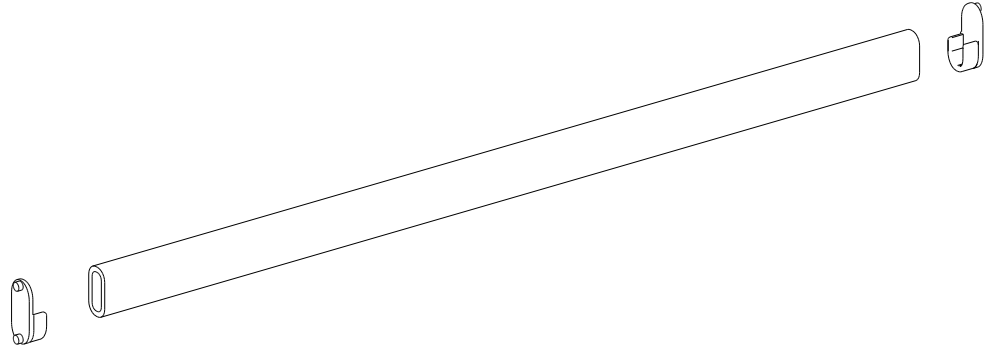
Page 31

Page 35

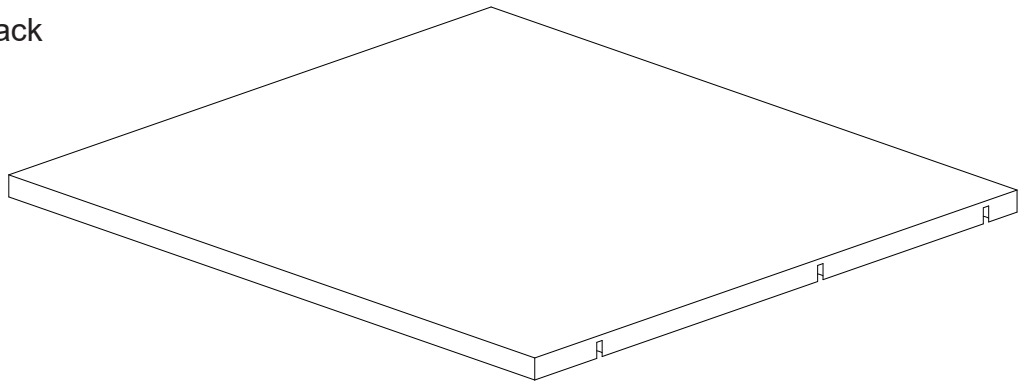
Page 39

Double Hang Assembly Parts Needed

Shelf Rod Pack



Middle Shelf
from
ALT-FS-DP22
Alto Wardrobe Fixed Shelf Pack



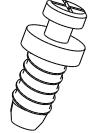


Step 1

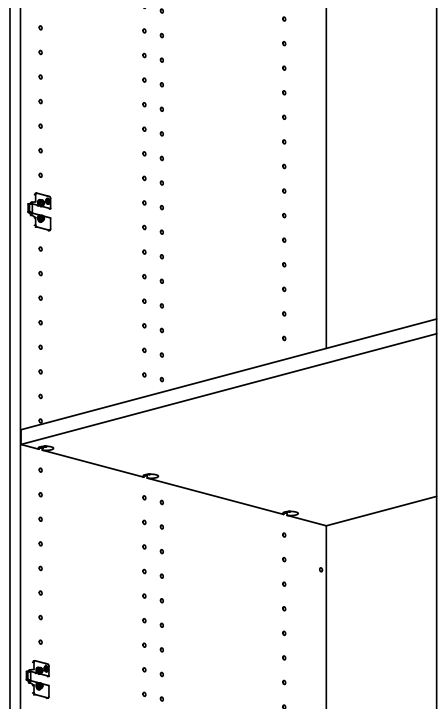
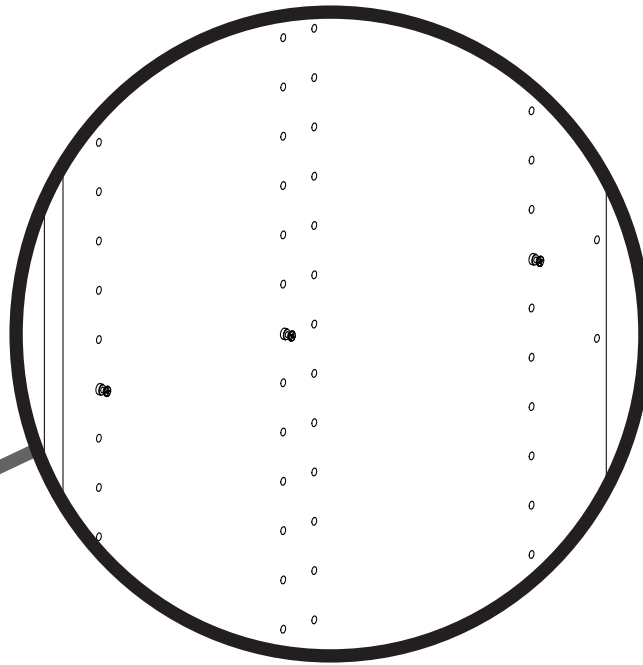
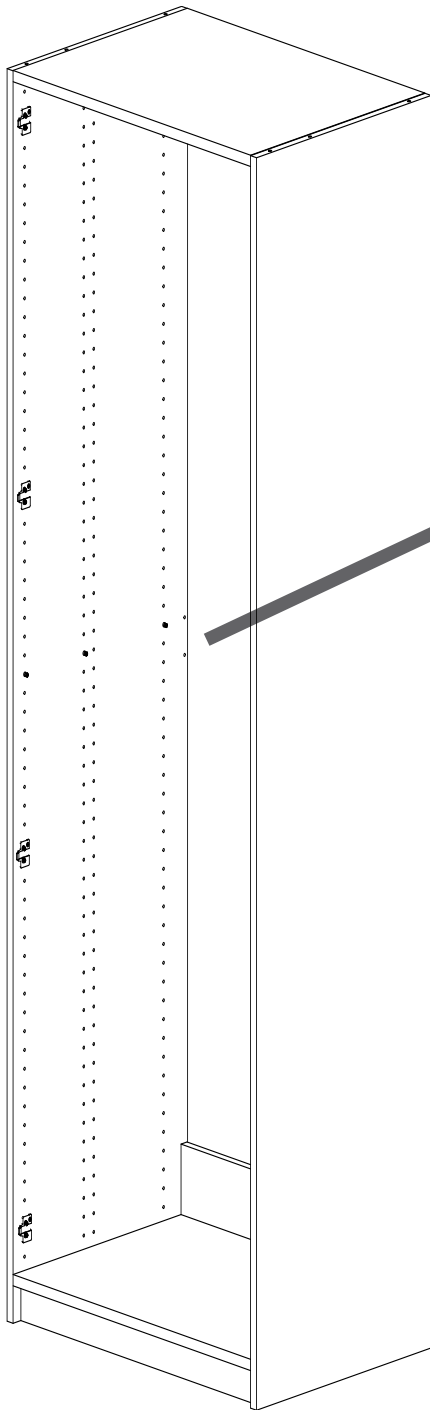
Start by inserting the middle shelf by inserting screw dowels as shown and securing the shelf with the rafixes

Screw dowel

x4

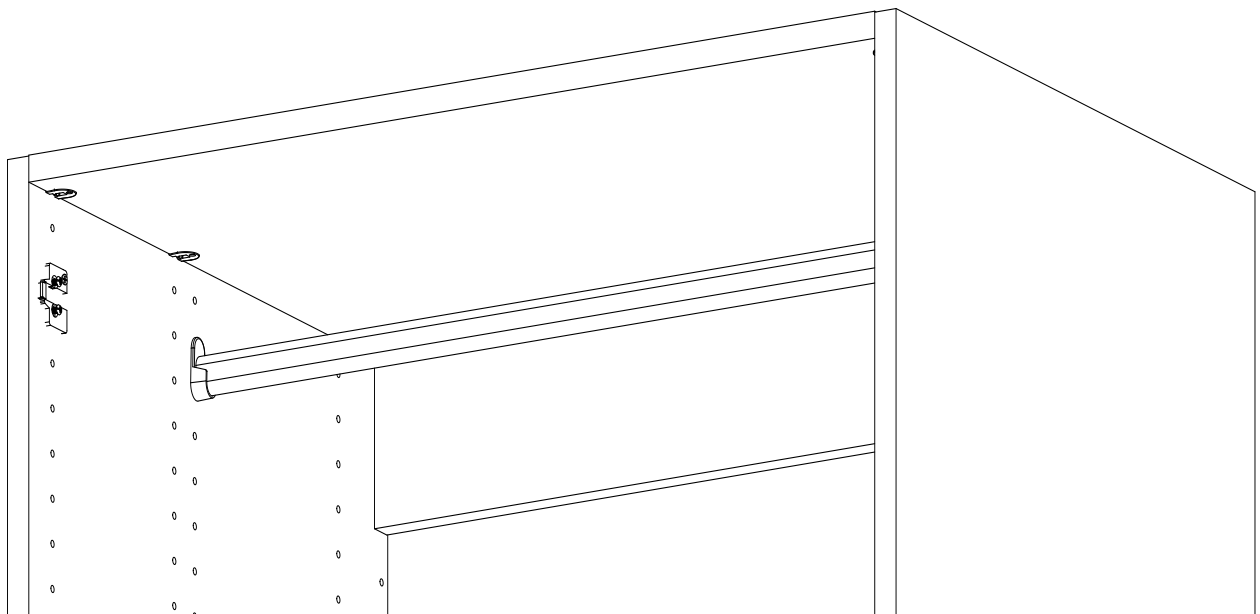
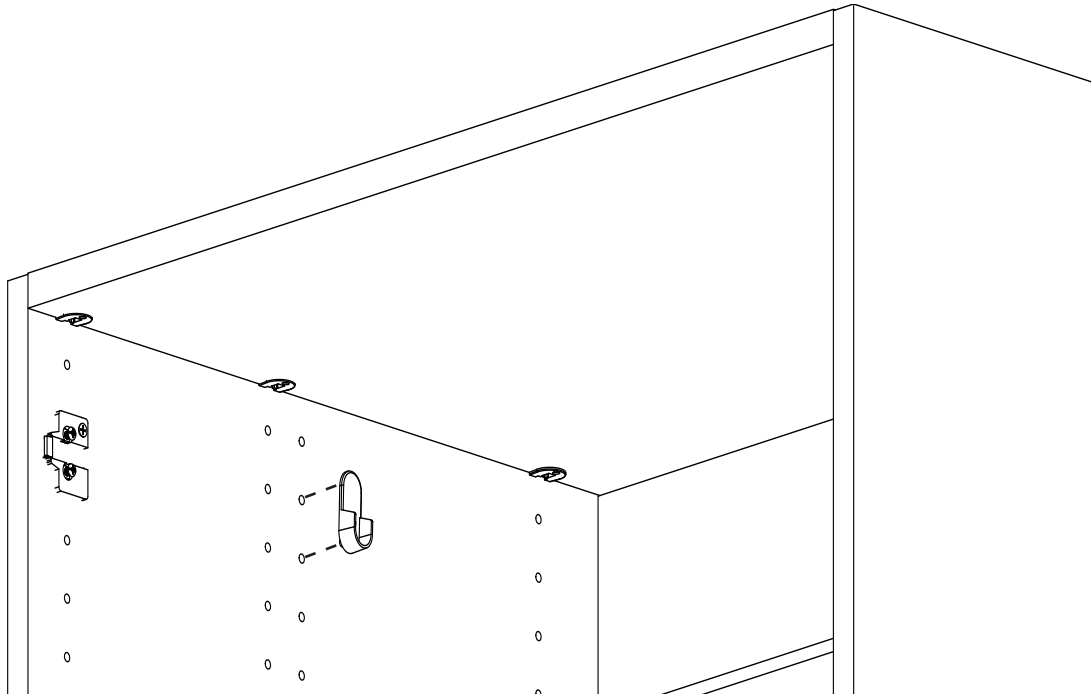


Holes are on same level with top of cleat holes



Step 2

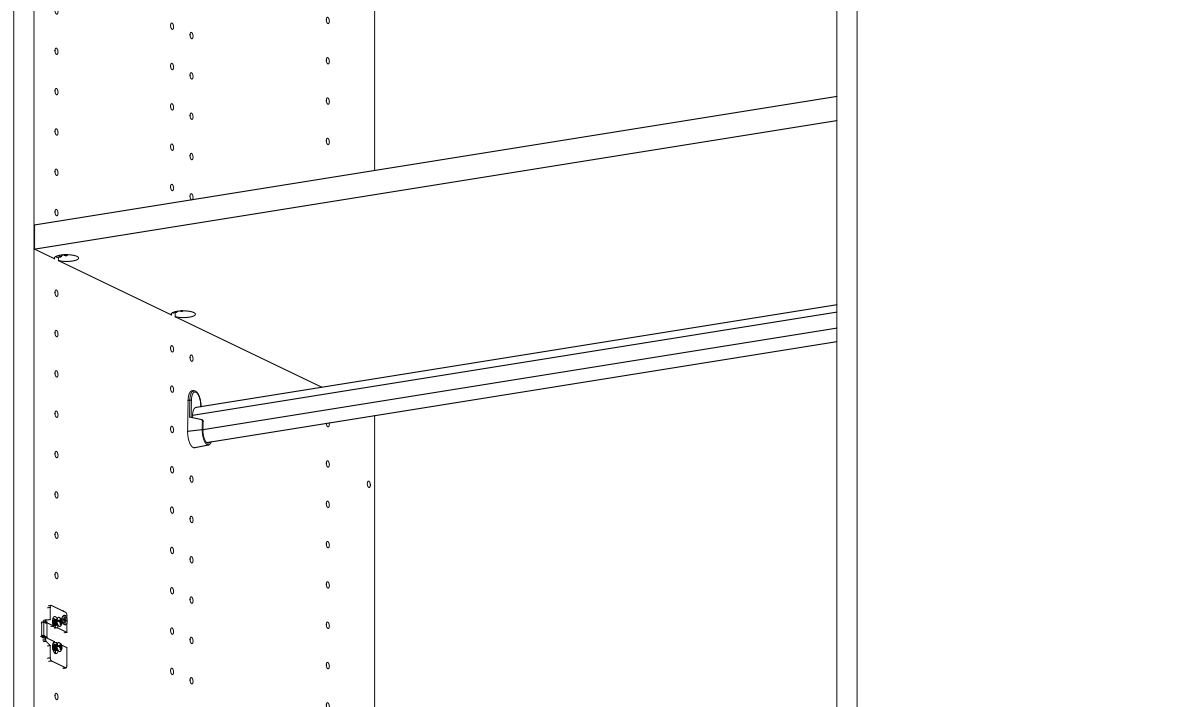
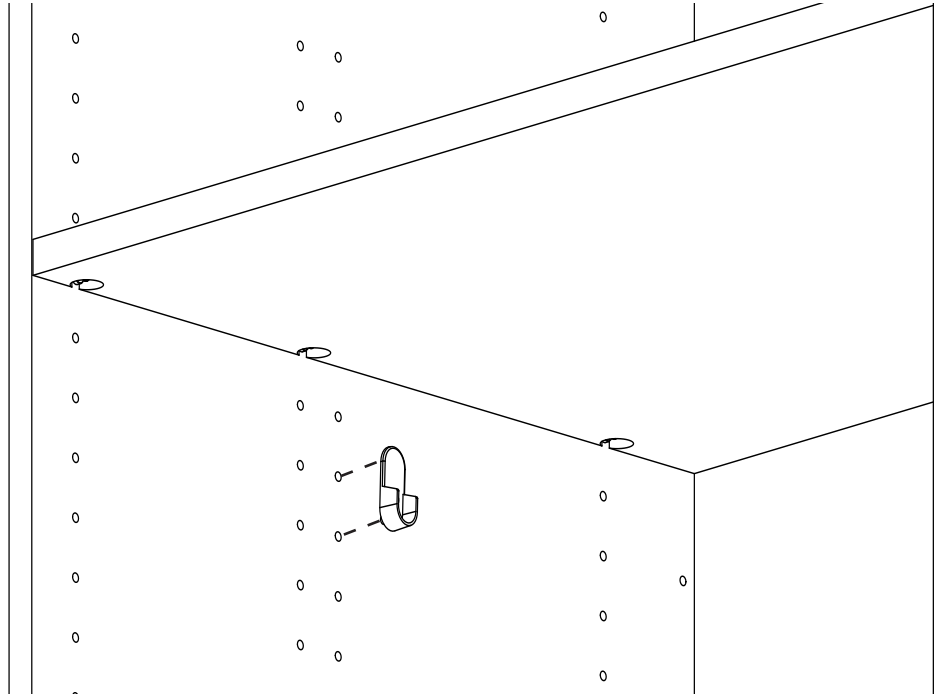
Connect the rod flanges on either side and insert shelf rod under the top shelf





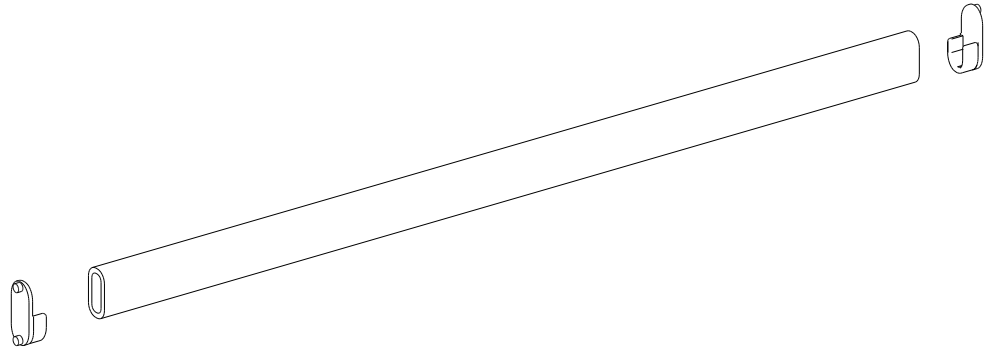
Step 3

Connect the rod flanges on either side and insert shelf rod under the middle placed shelf

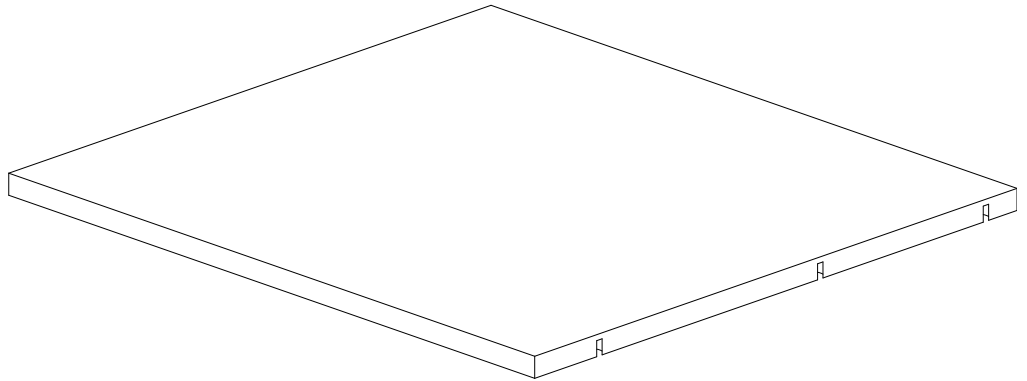
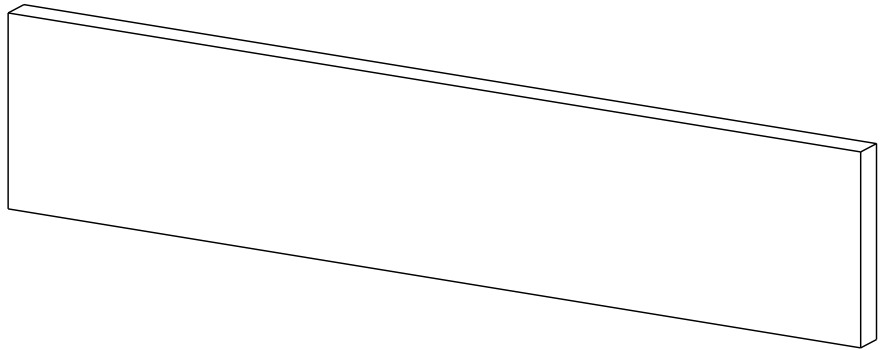


Tall Hang Assembly Parts Needed

Shelf Rod Pack



Third Cleat
&
Middle Shelf
from
ALT-FS-DP22
Alto Fixed Shelf Pack



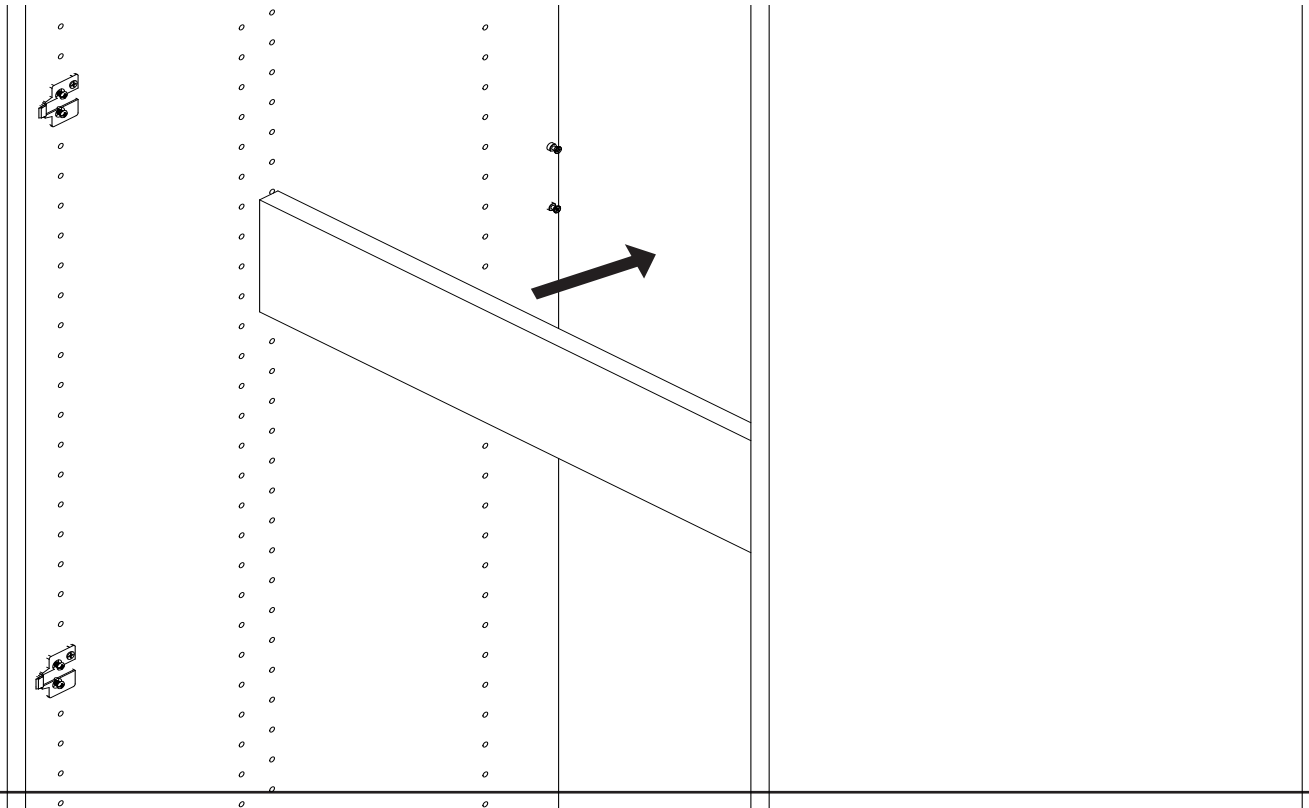
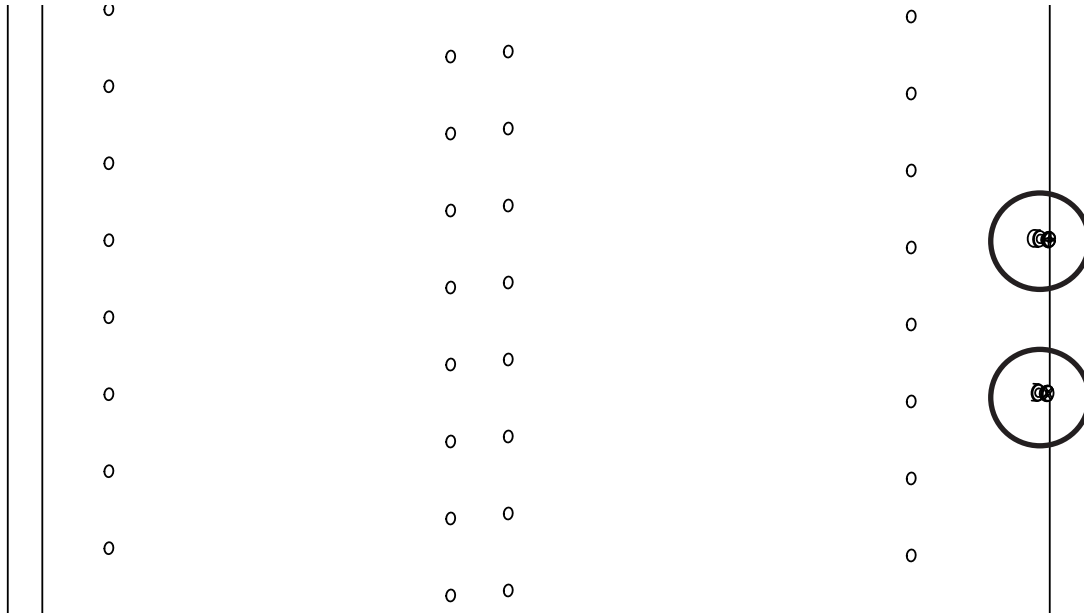


Step 1

Insert screws in the middle cleat holes on panels on both sides and simply click in the 3rd cleat

Screw dowel

x4

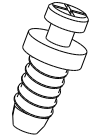


Step 2

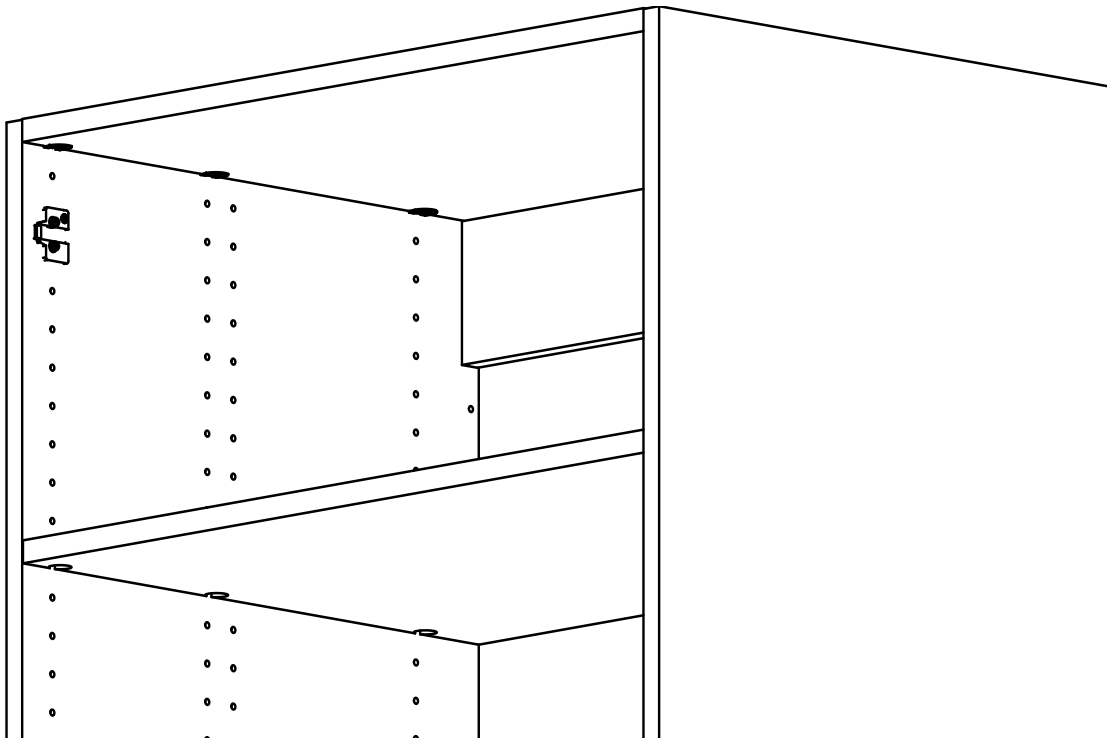
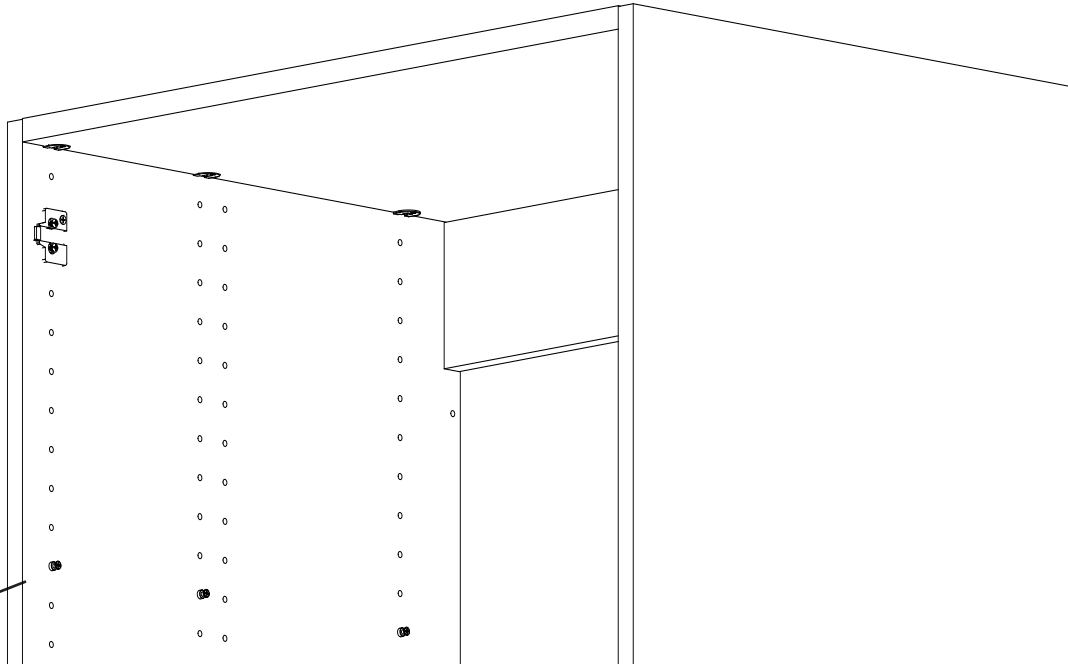
Insert screw dowels in holes on panels on both sides and then connect and secure the middle shelf by turning the rafixes

Screw dowel

x4



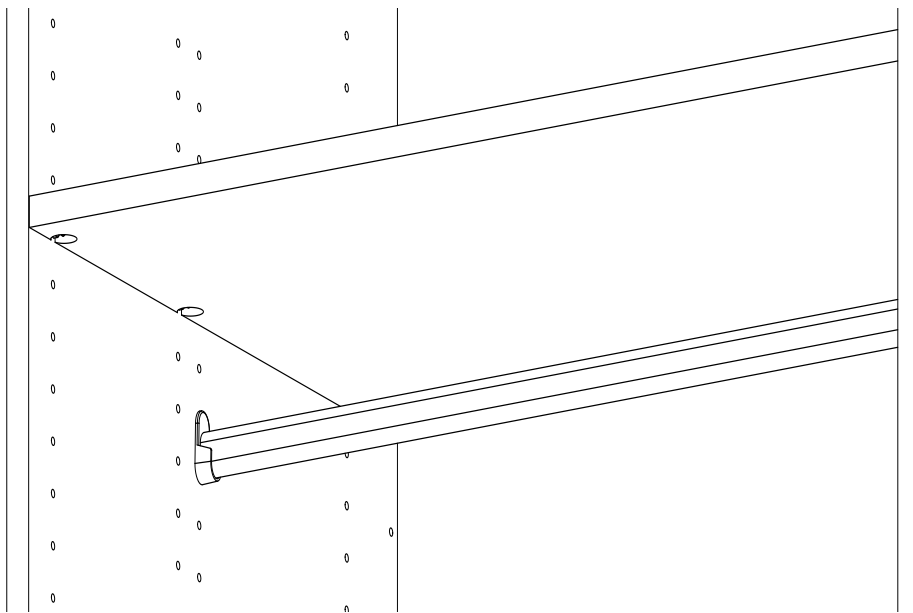
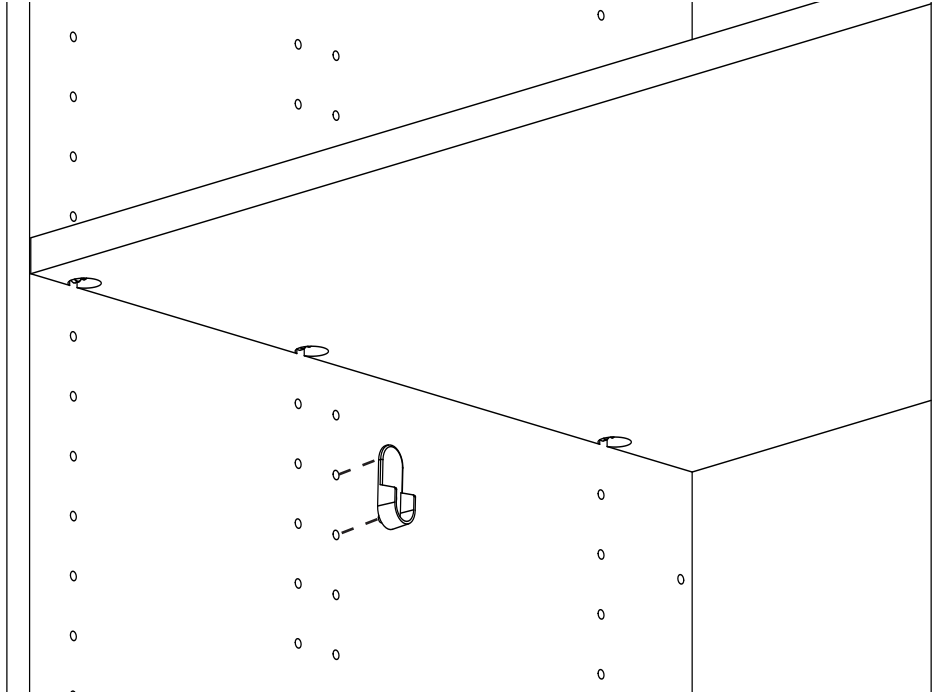
12th hole including the top.
(Suggestion only)





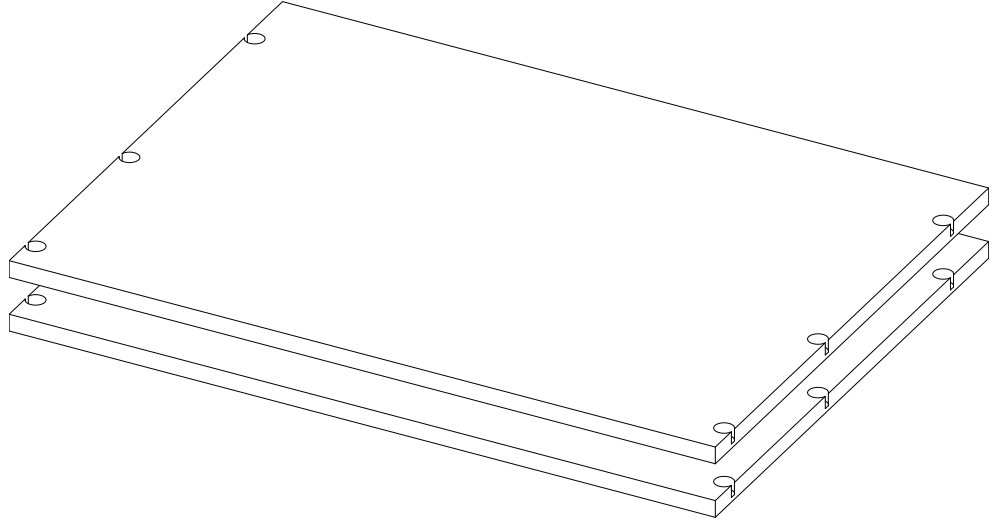
Step 3

Connect the rod flanges on either side and insert shelf rod



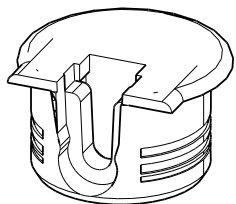
Adjustable Shelf Assembly Parts Needed

Adjustable Shelf
from
ALT-AS-DP22

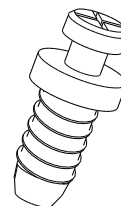


Hardware Packs Needed
ALT-HRDP-AS-DP22

wedgefix
x12



screw dowel
x12

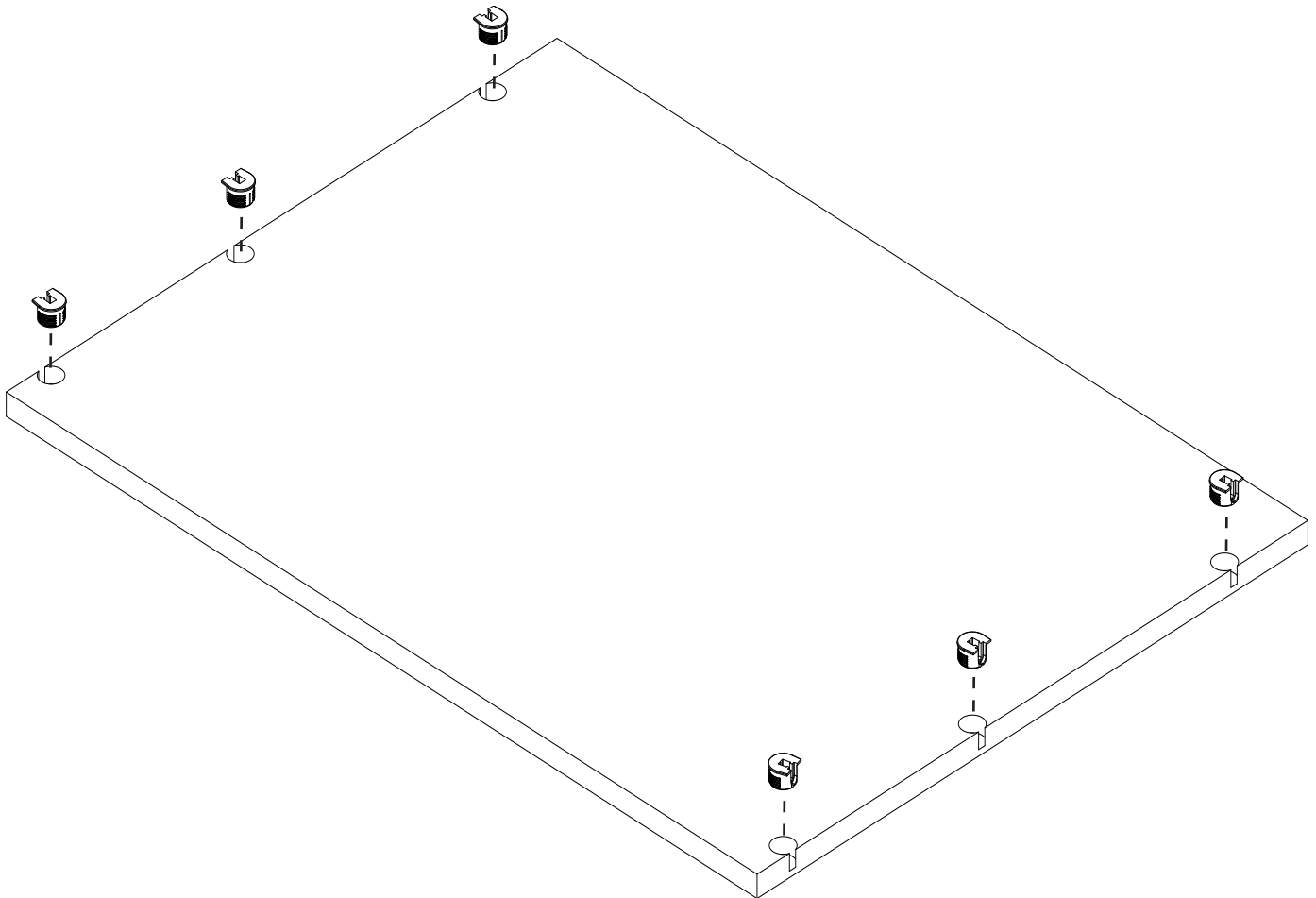




Step 1

Insert wedgex hardware into any/all additional shelves being used.

Wedgex
x6

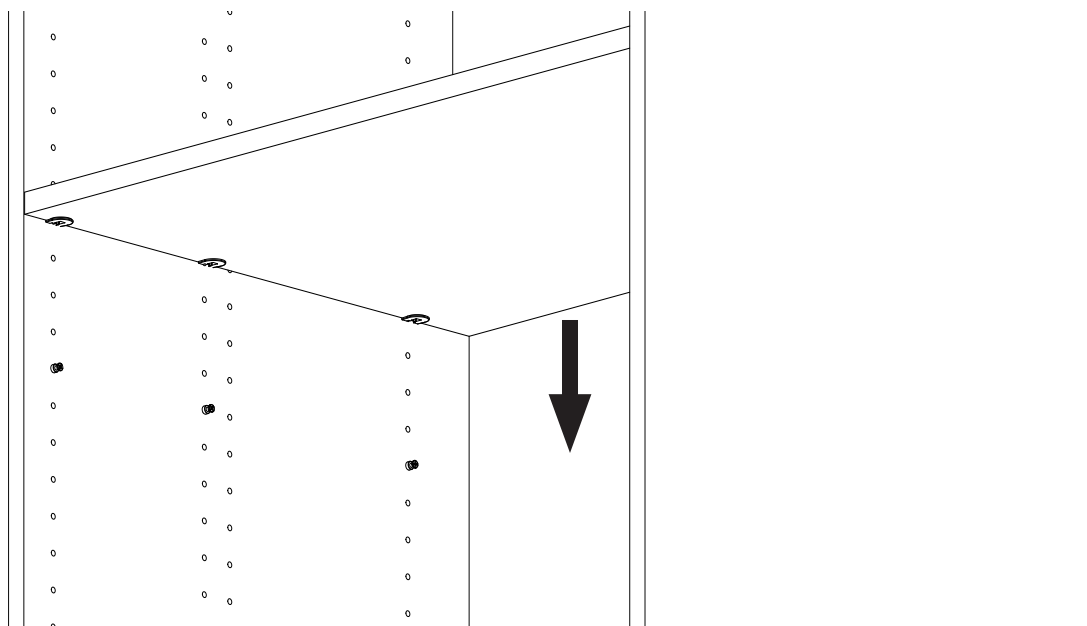
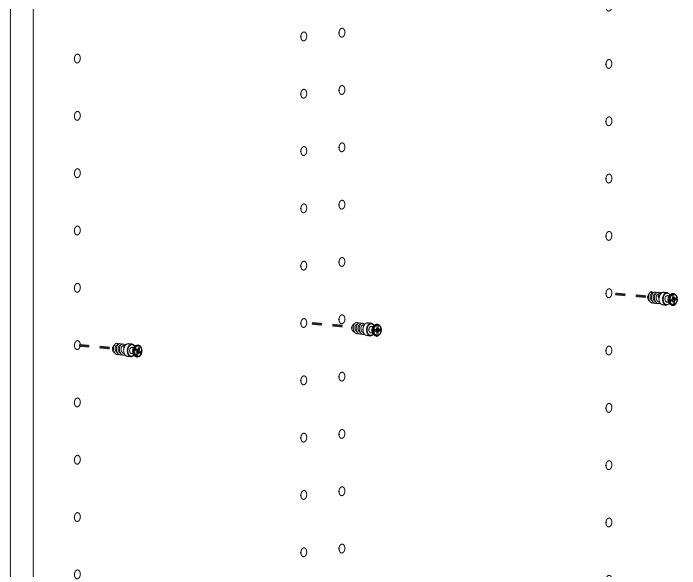


Step 2

Drill screws in panels where the adjustable shelf will be placed on both sides.
Press adjustable shelf into place.

Screw dowel

x6

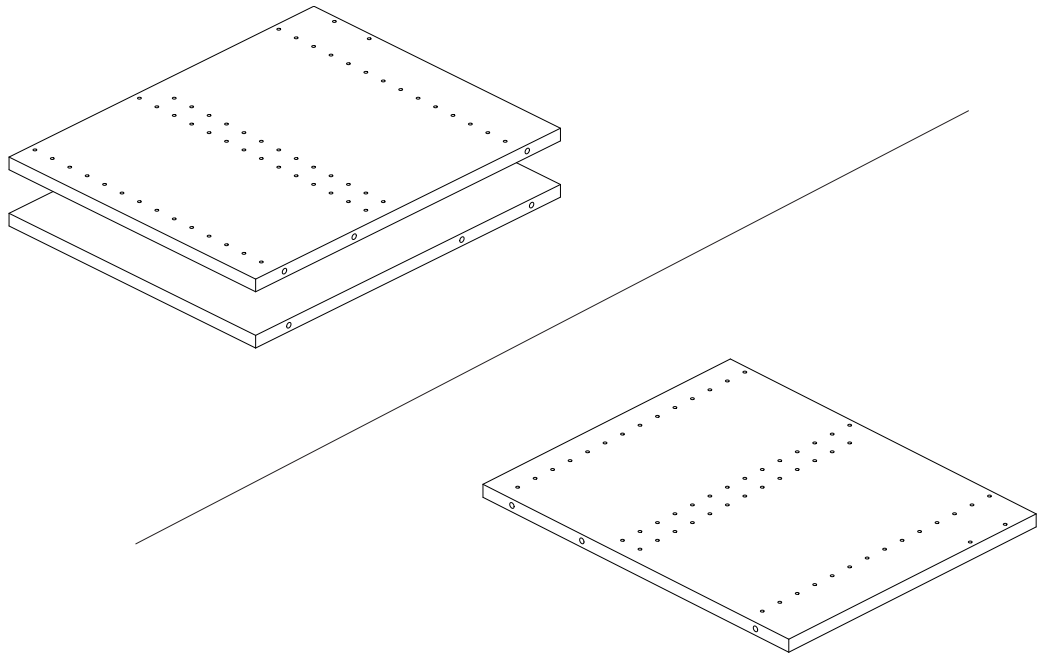




Extension Side Panel Assembly Parts Needed

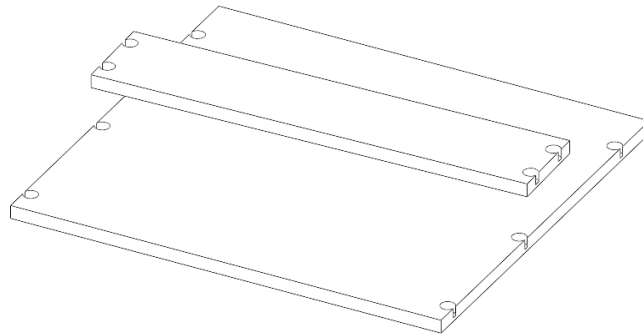
ALT-ESP-DP22
ALT-ECP-DP22

Side/Center Panels



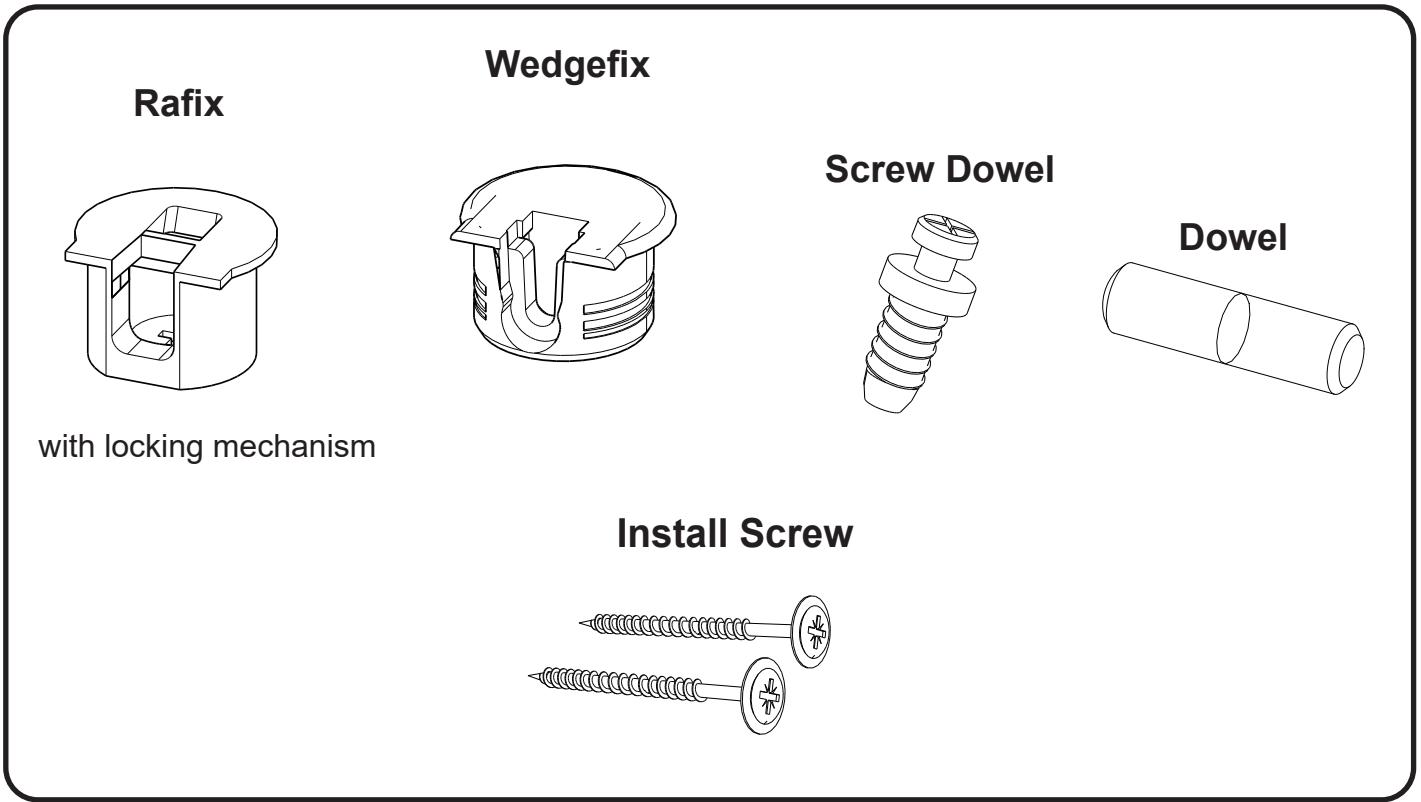
ALT-EFS-DP22

Fixed Shelf and Cleat

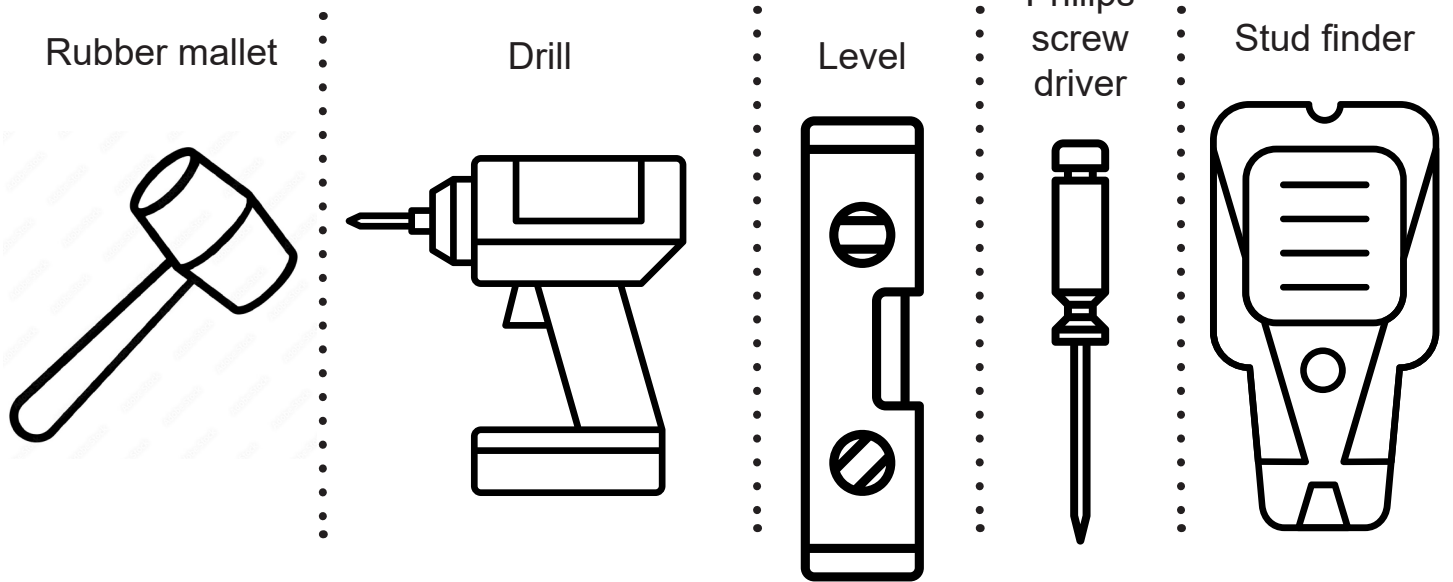


1 fixed shelf and 1 cleat (from ALT-EFS-DP22) + hardware is needed for each space created by 2 extension side/center panels.

Hardware Packs Needed
ALT-HRDP-EFS-DP22



Tools needed

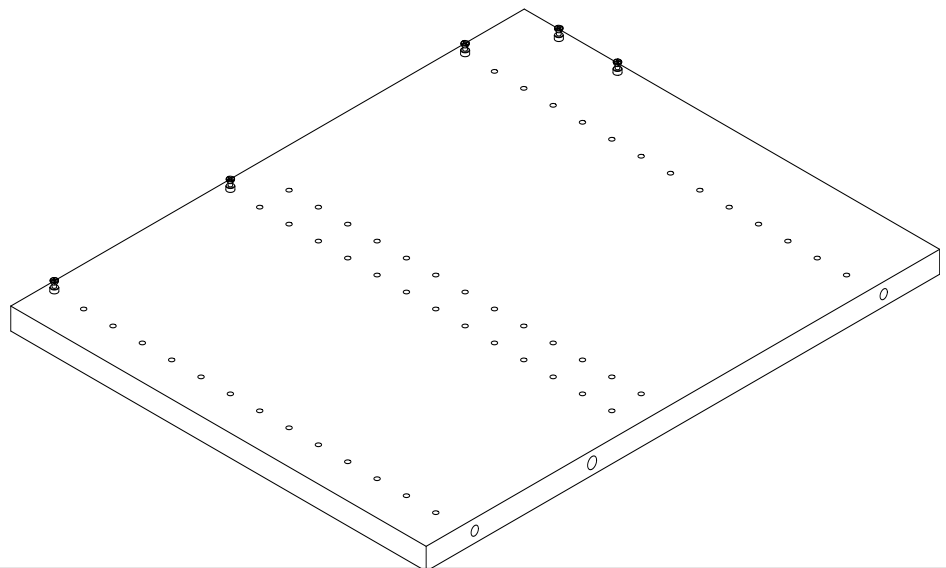
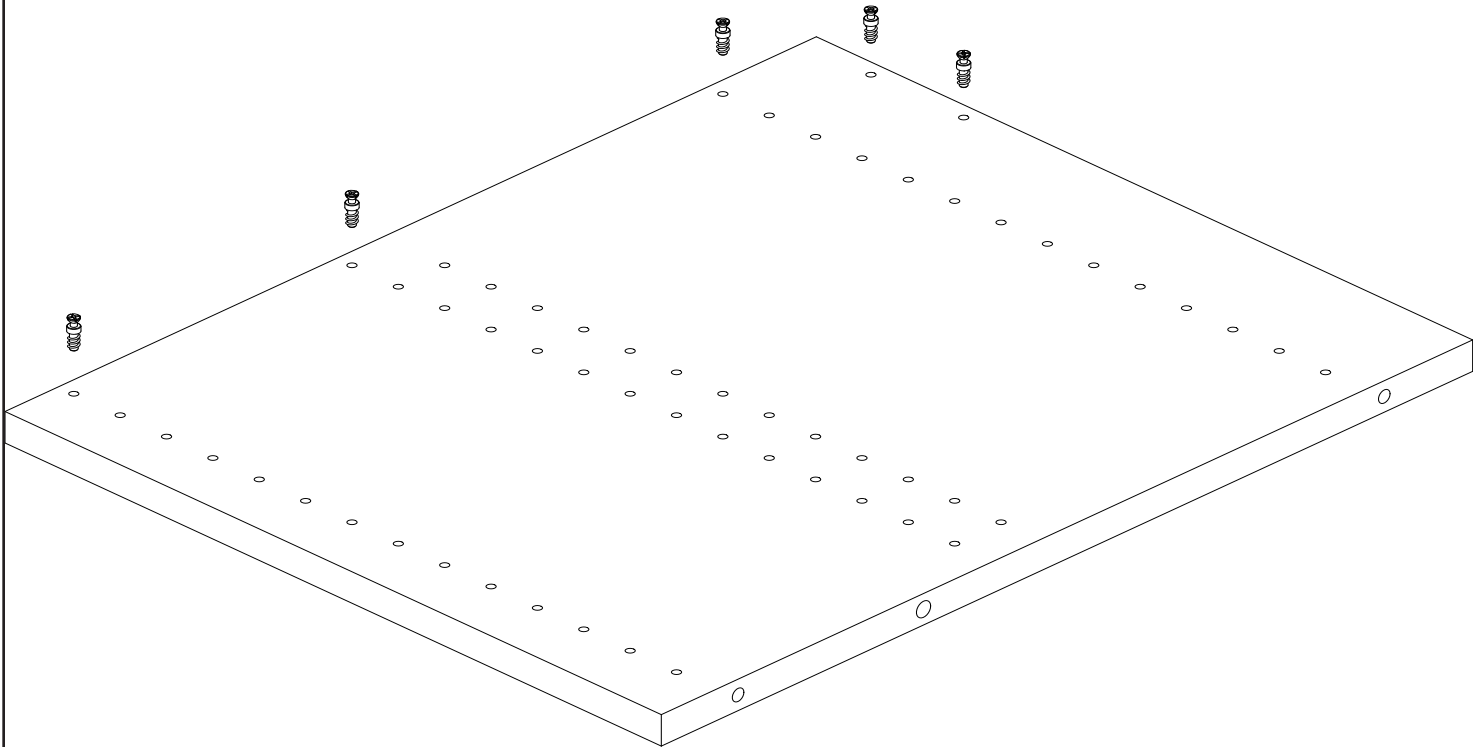
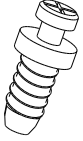




Step 1

Take 4 screw dowels and install on each side/center panel as shown below.

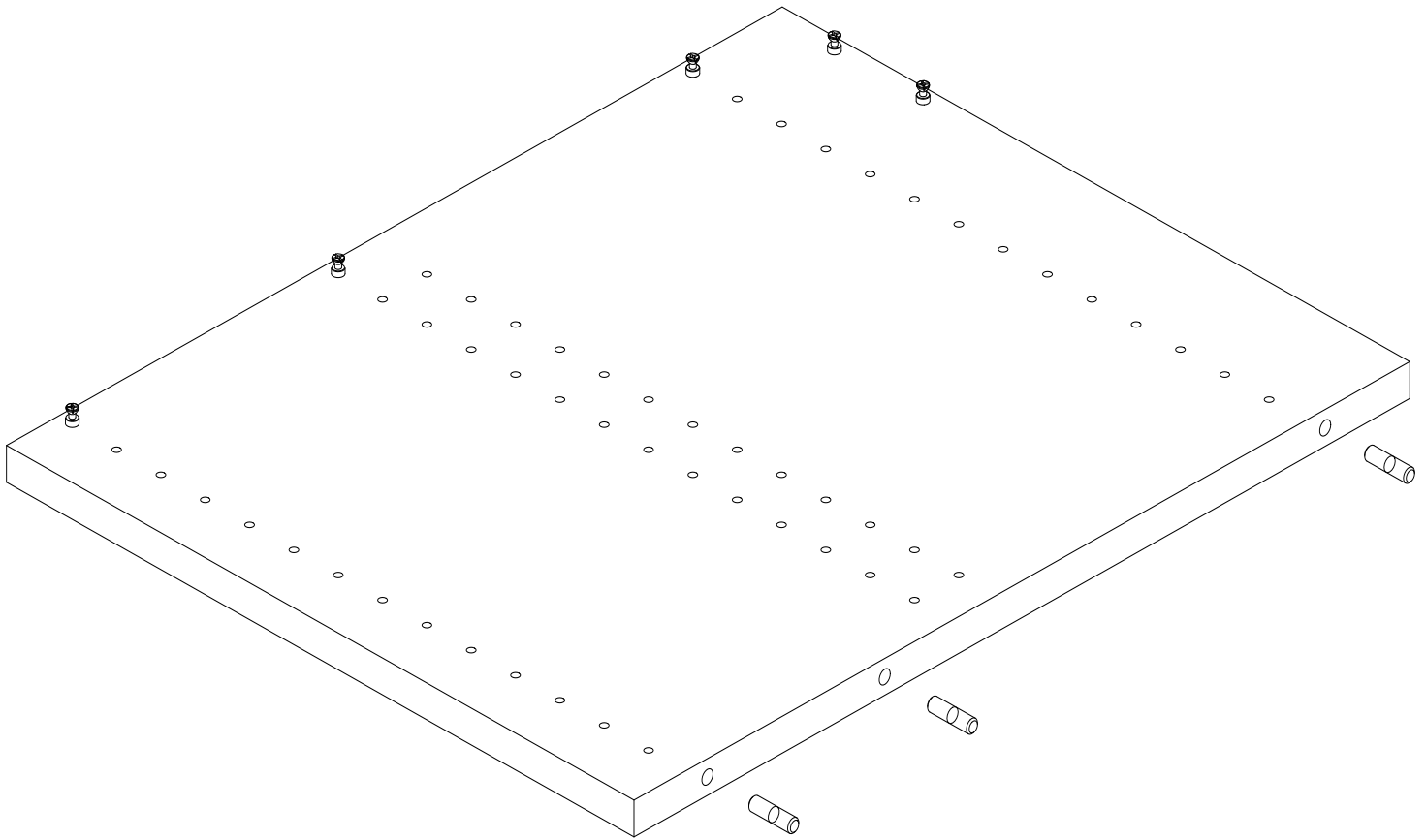
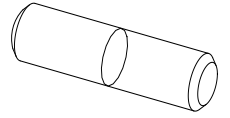
Screw Dowel



Step 2

Insert dowels into bottom of side/center panels.

Dowel



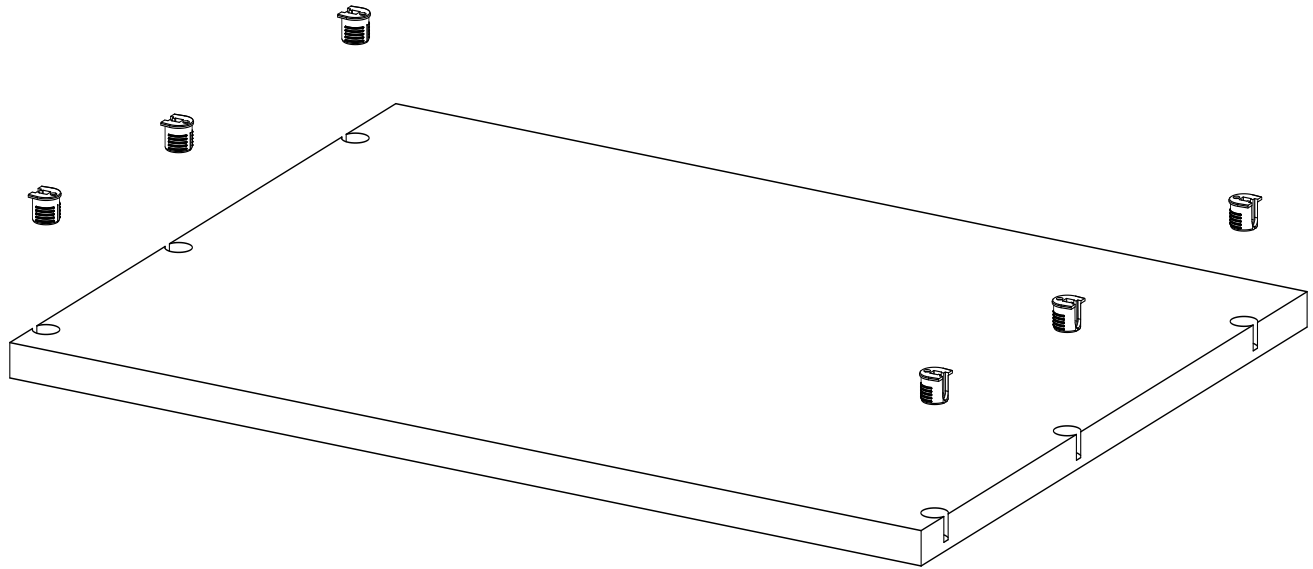
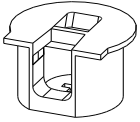


Step 3

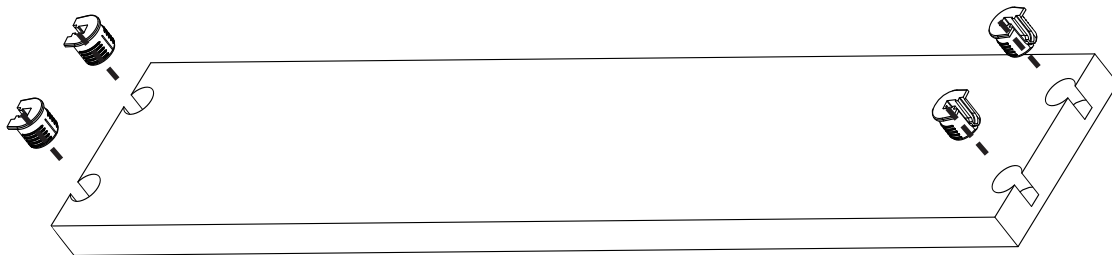
Insert rafixes (with locking mechanism) into fixed shelf. Insert wedgefixes into cleat.

rafix
x6

wedgefix
x4

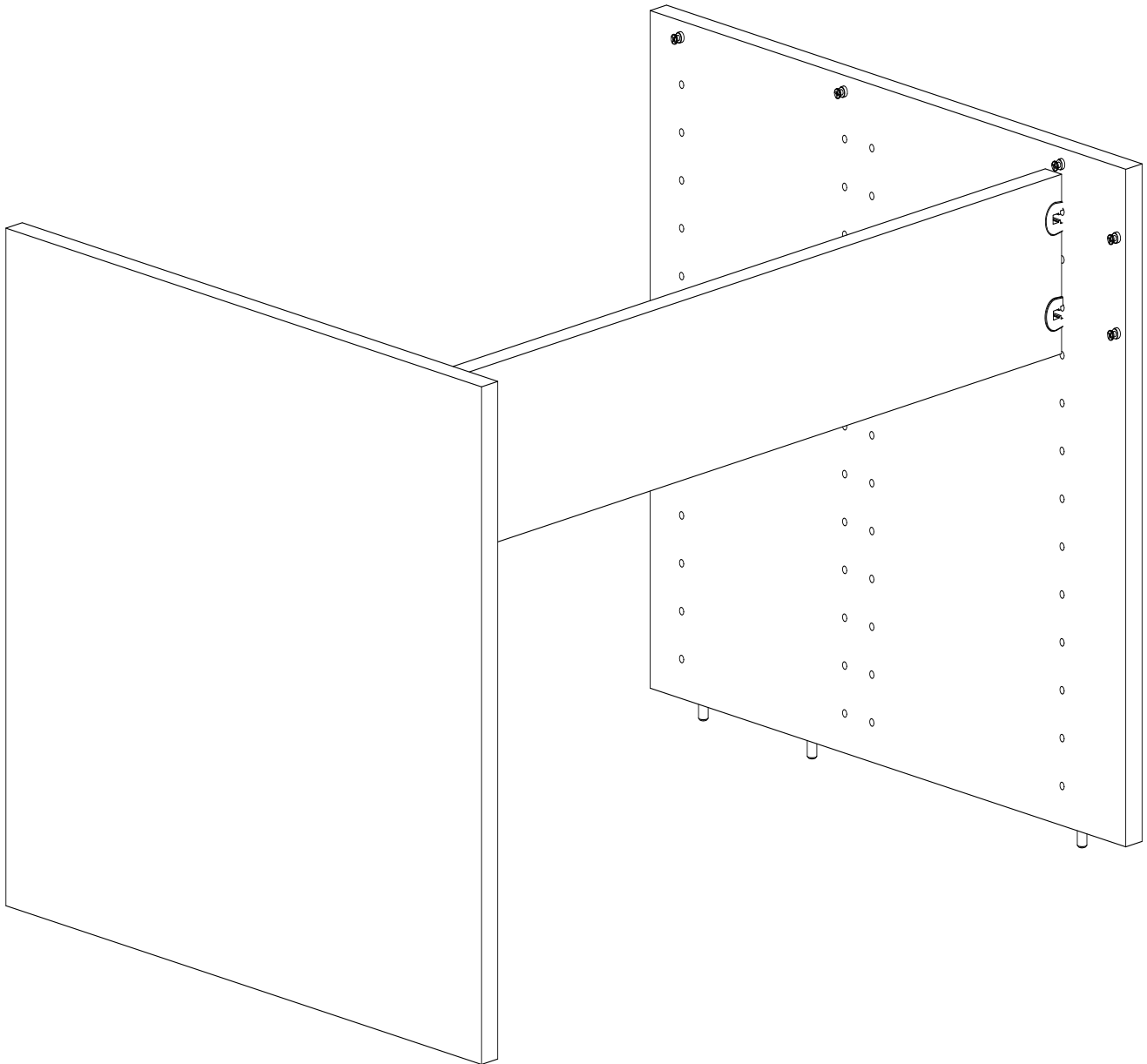


Attach wedgefixes to cleat



Step 4

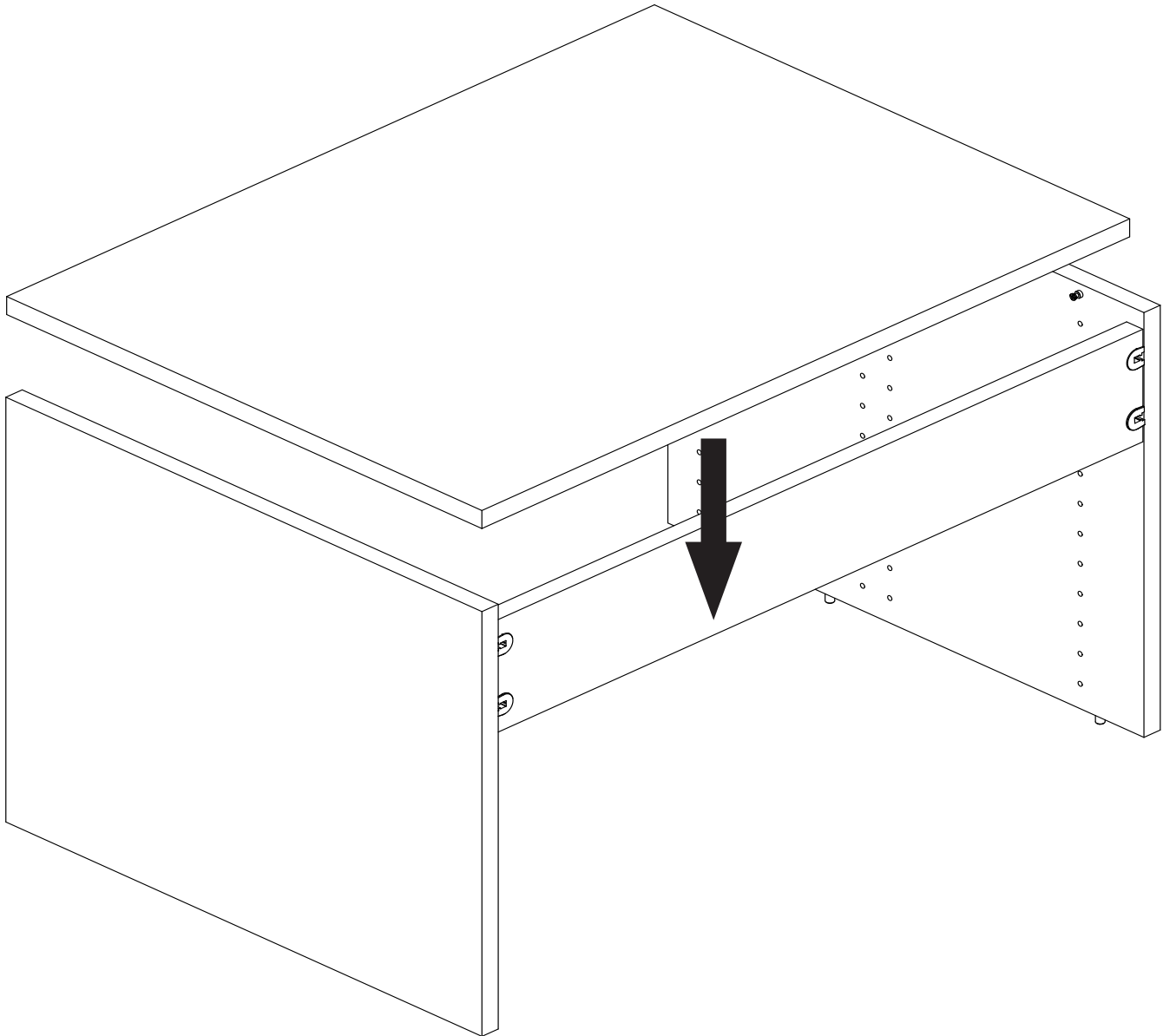
Insert wedgexes from cleat into the two screw dowels along the back each side/center panel.





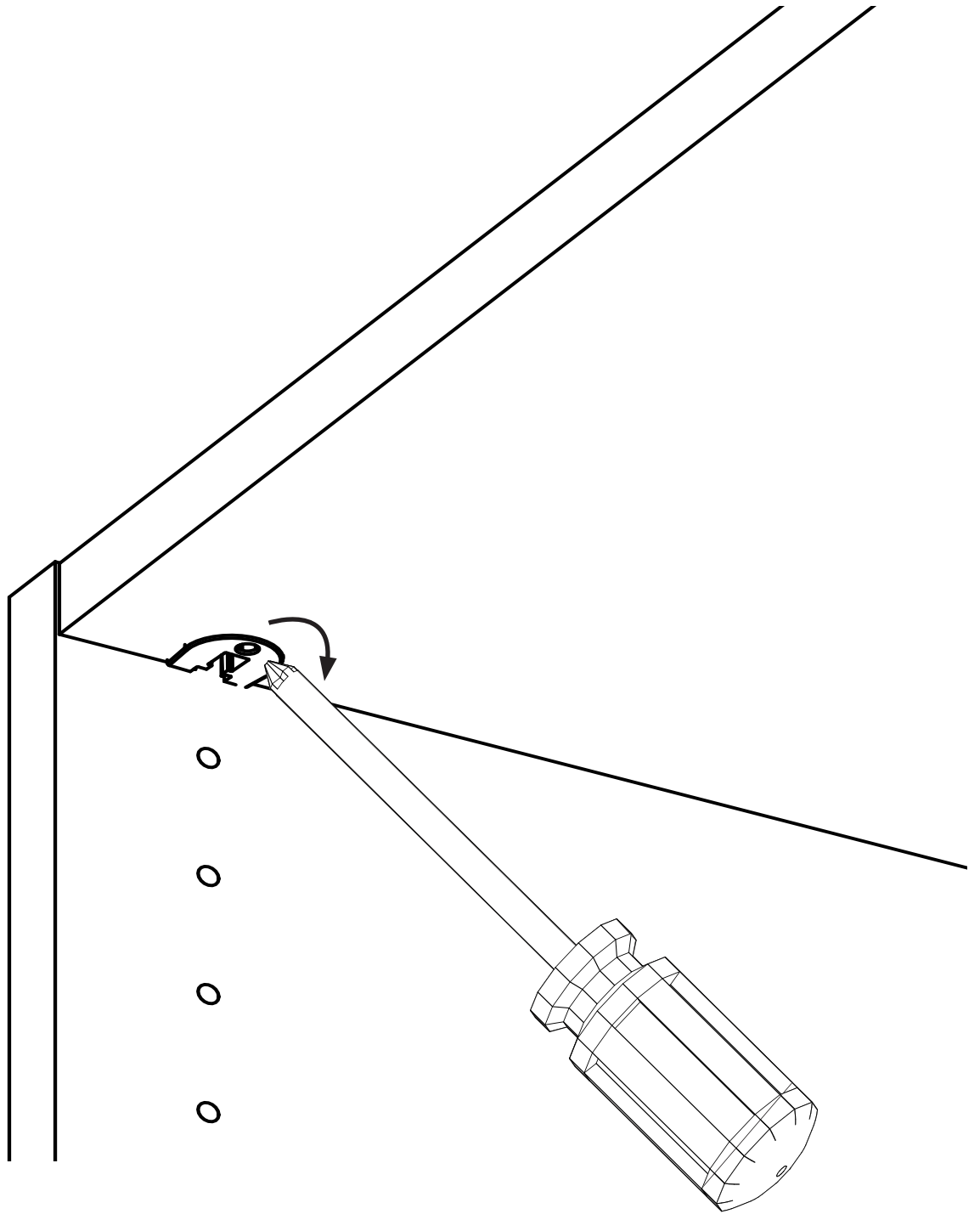
Step 5

Insert rafixes on fixed shelf into the screw dowels at the top of each side/ center panel.



Step 6

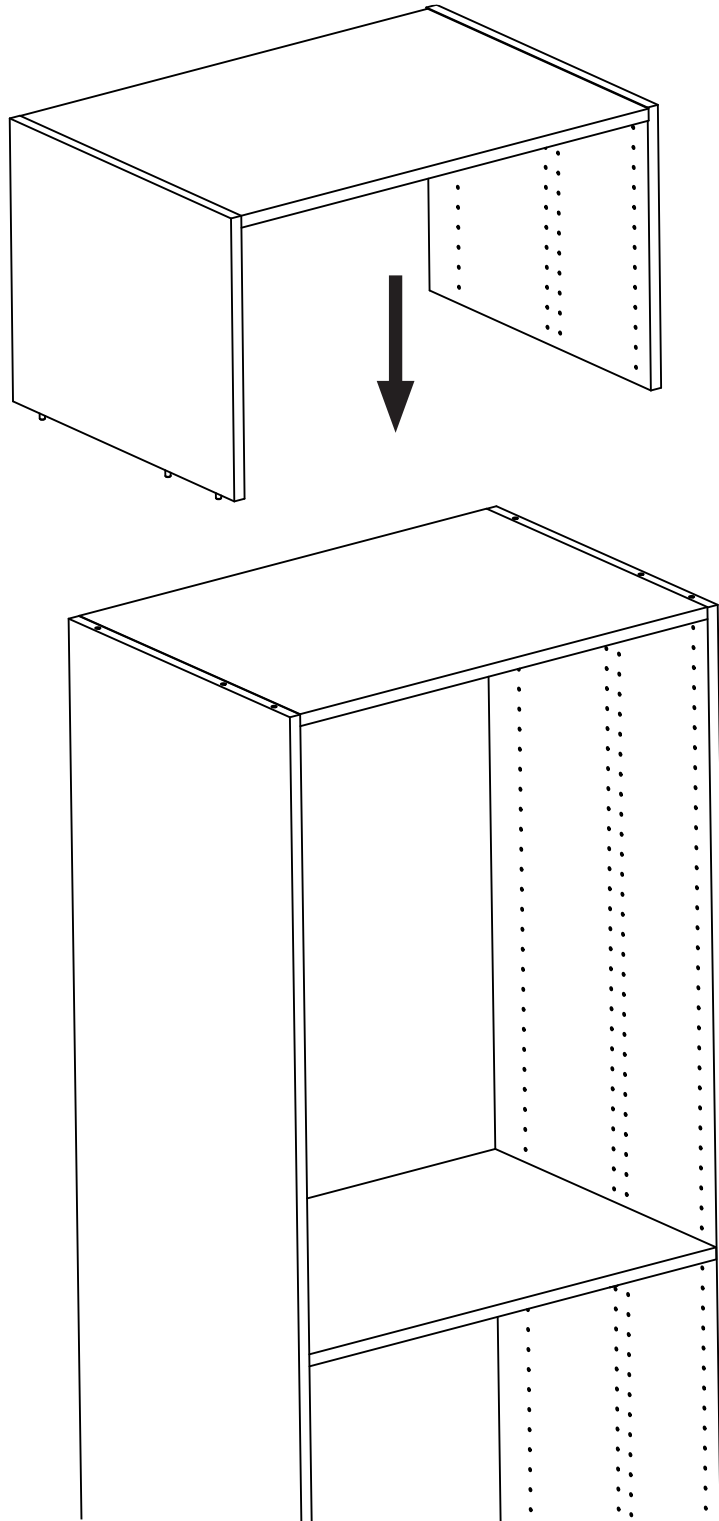
Tighten rafix screws to lock fixed shelf into place.





Step 7

Now take completed extension panel set up and insert into dowel holes at the top of any assembled Alto Tower.

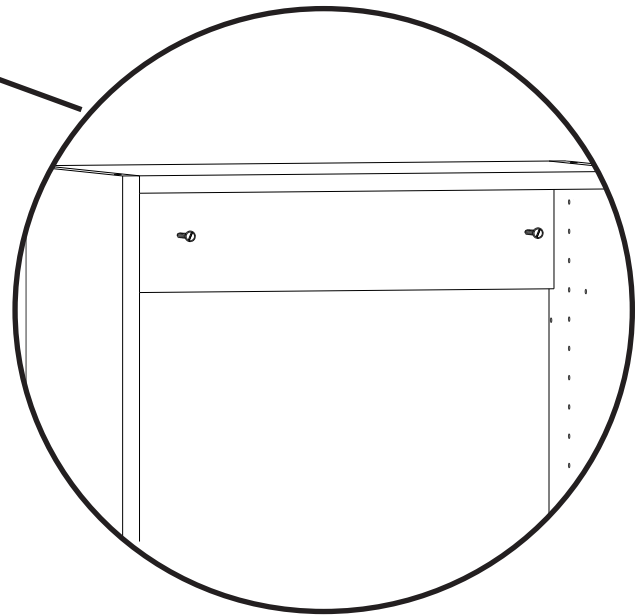
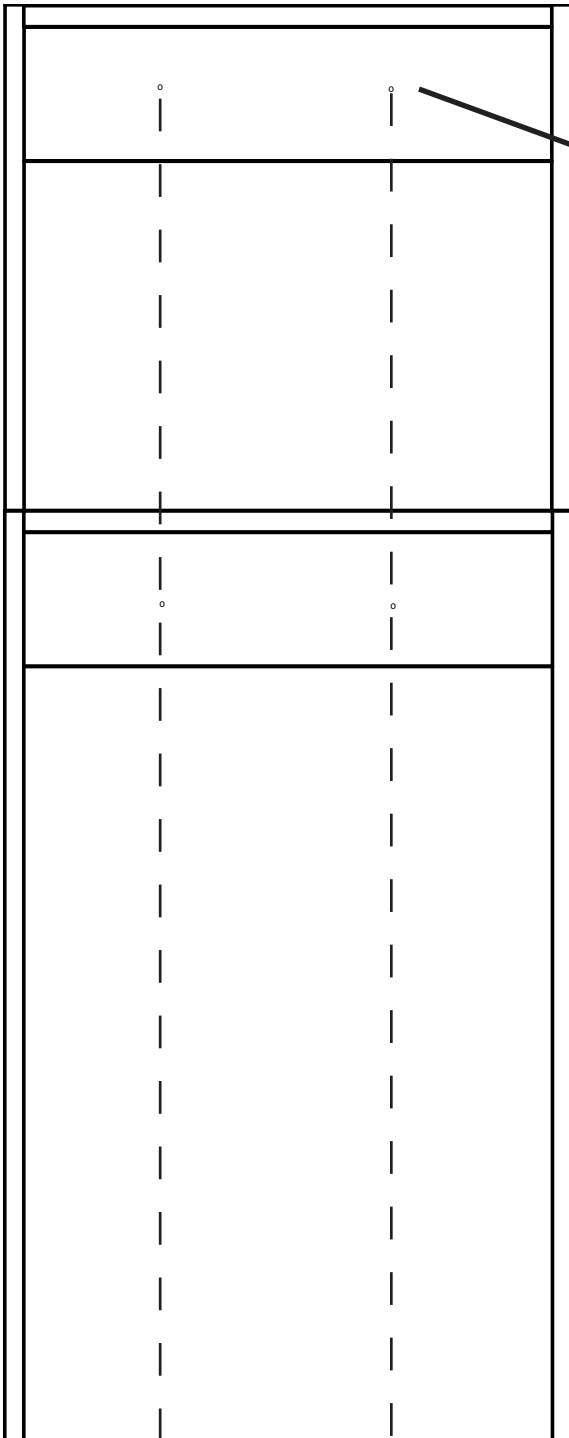
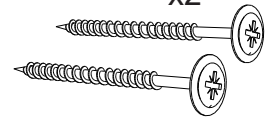


Step 7

(If possible) drill additional anchor screws from hardware pack to secure extension cleat into stud using stud finder.

install screws

x2



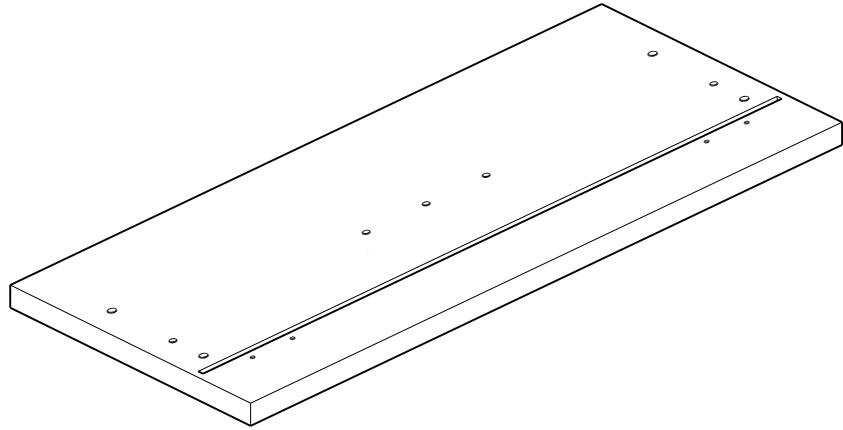


Drawer assembly

Boxes Needed

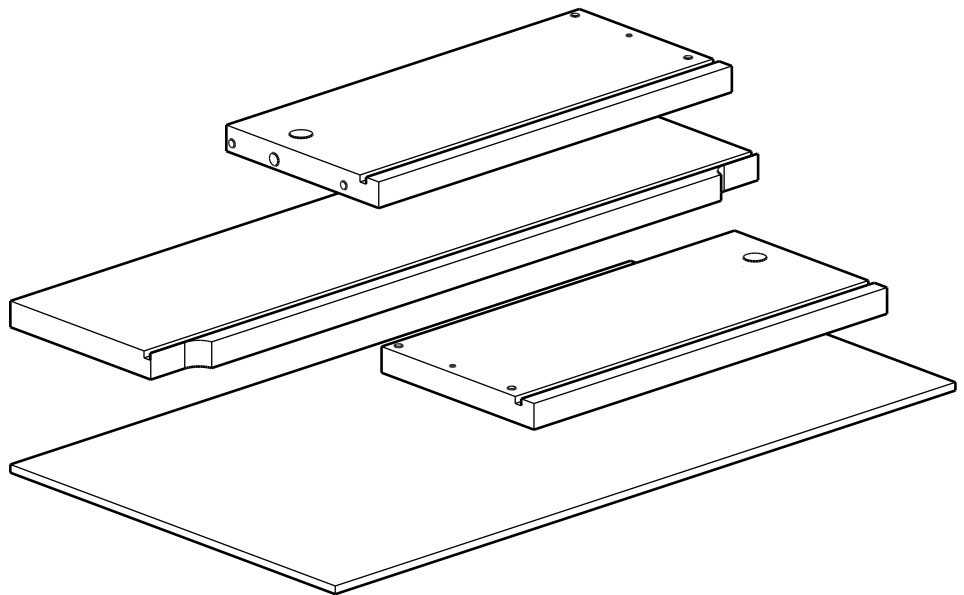
ALT-DF
Alto Drawer Front
OR
ALT-DFS
Alto Small Drawer Front

(There are 1 pack and 2 pack boxes)



ALT-DB
Alto Drawer Boxes
OR
ALT-DBS
Alto Small Drawer Box

(There are 1 pack and 2 pack boxes)

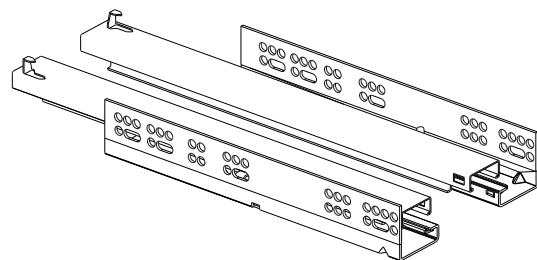


Tools Needed

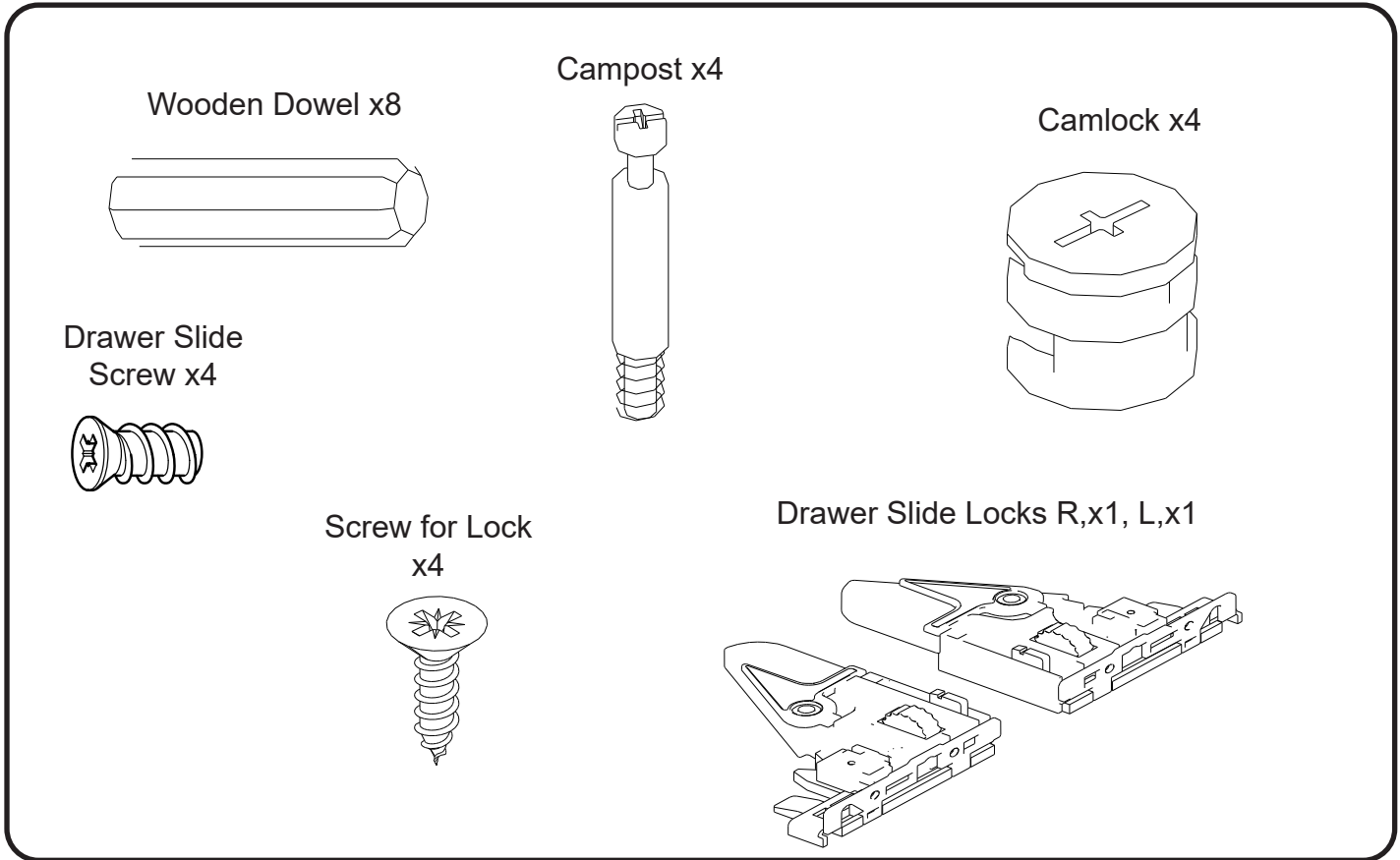
Philips Screw Driver



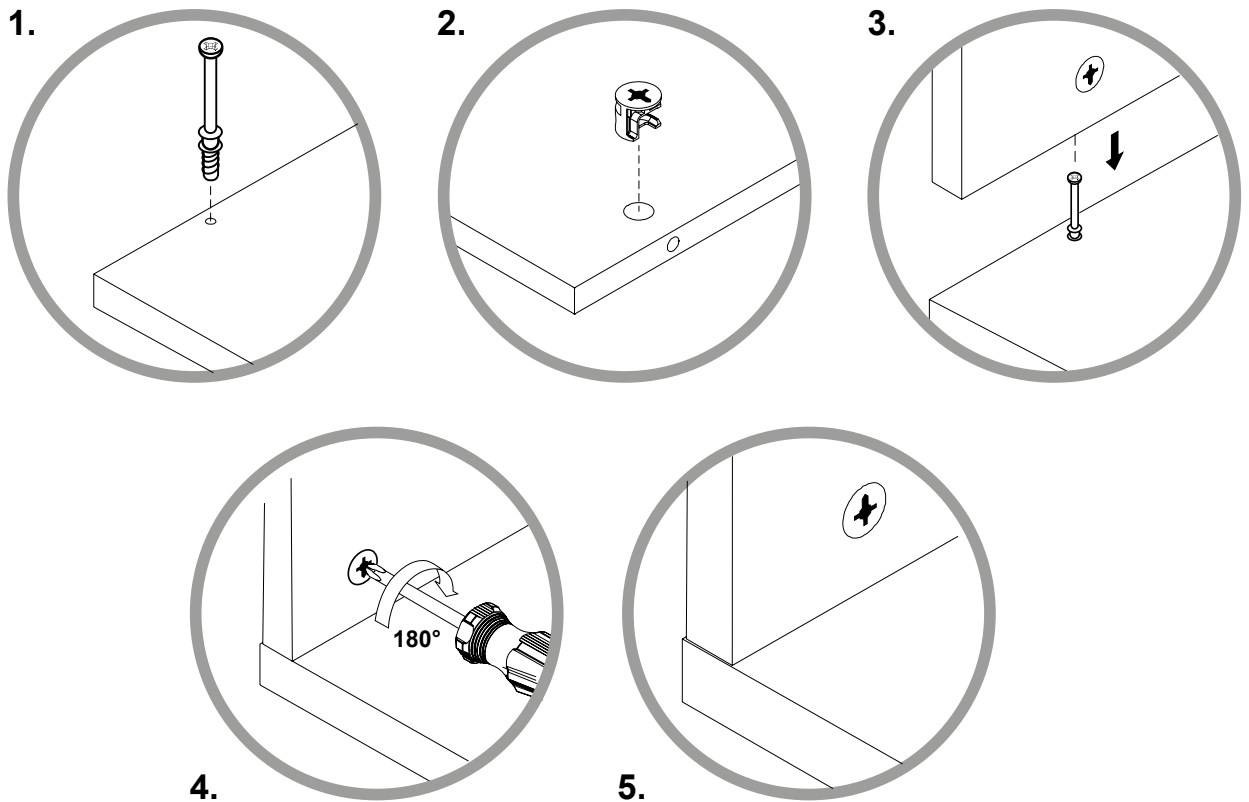
Drawer Slides (separate box)



Hardware Packs Needed
ALT-HRDP-DB



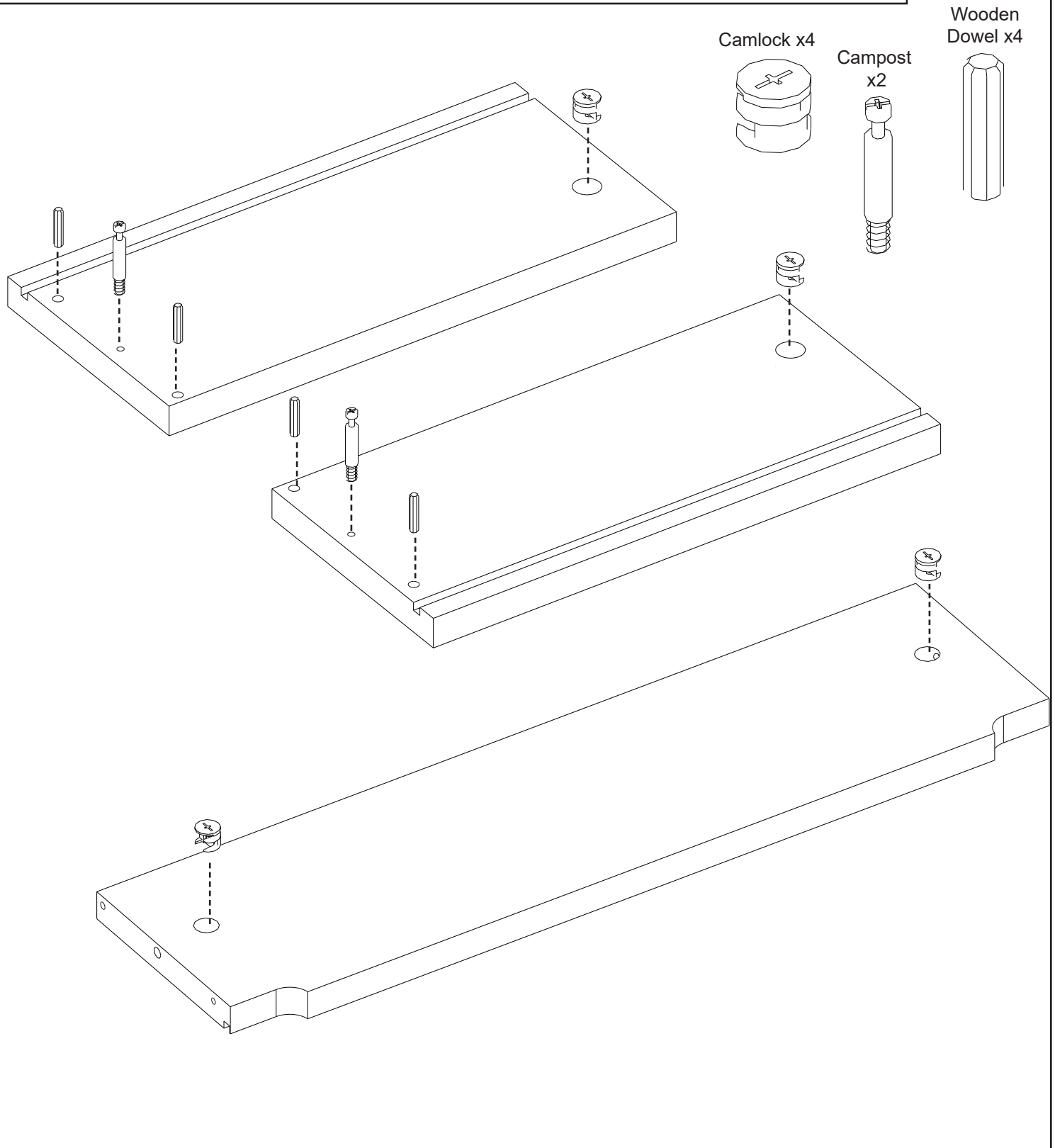
How to use the Cam lock system





Step 1

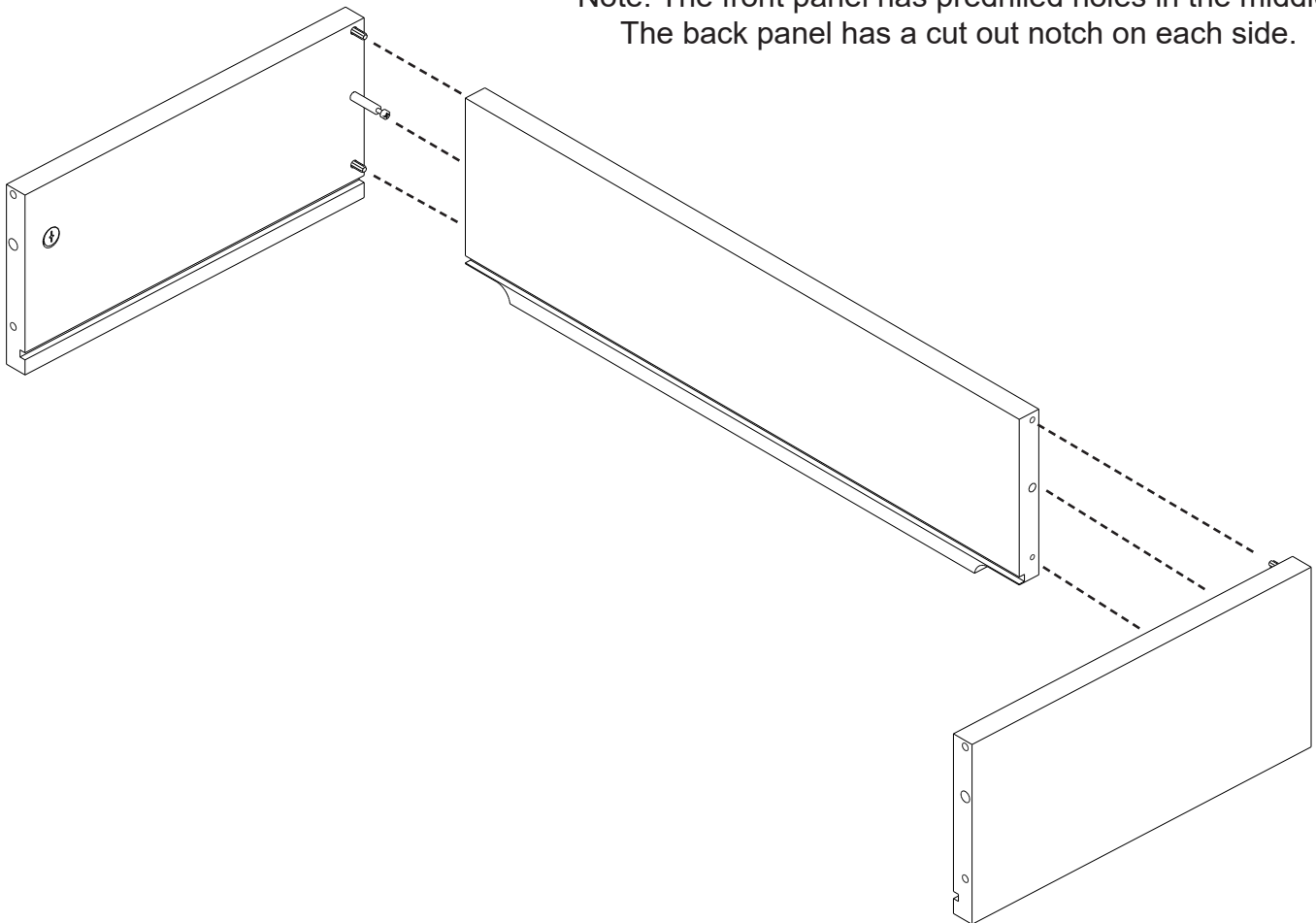
Removing the parts from ALT-DB(s), insert cam locks, cam posts and wooden dowels in the drawer sides and back as shown below.



Step 2

Connect the side panels to the back.

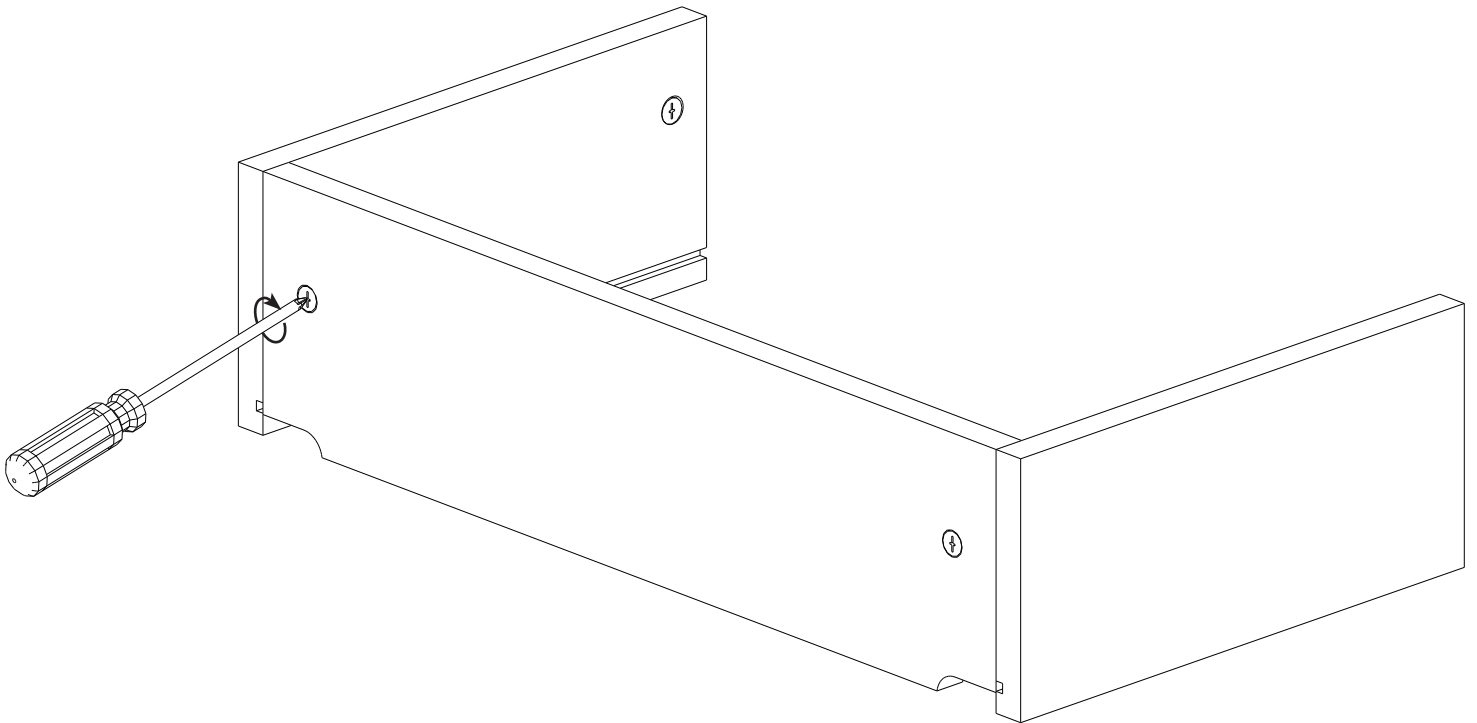
Note: The front panel has predrilled holes in the middle.
The back panel has a cut out notch on each side.





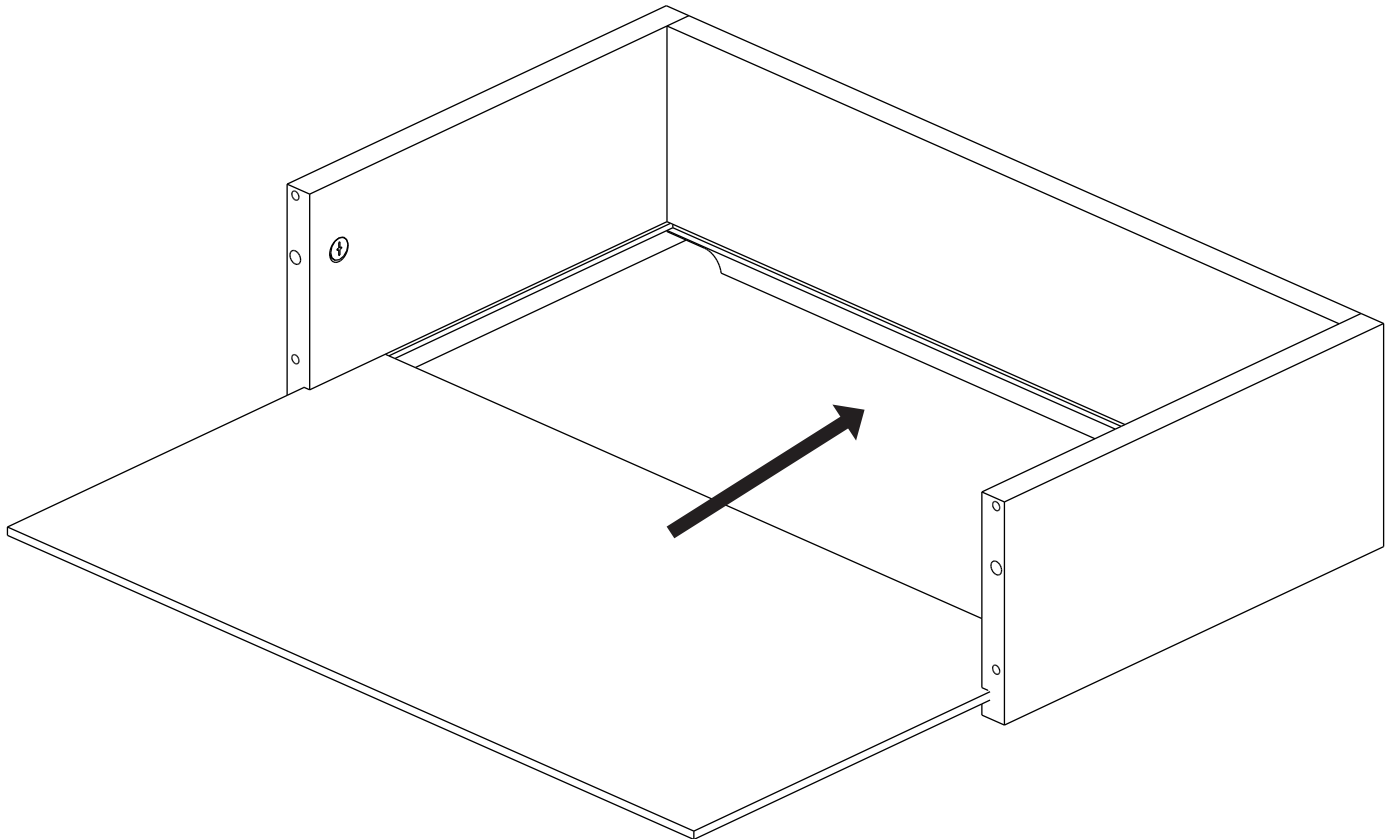
Step 3

Tighten both cam locks by turning them 180°.



Step 4

Slide the drawer bottom into the groove.

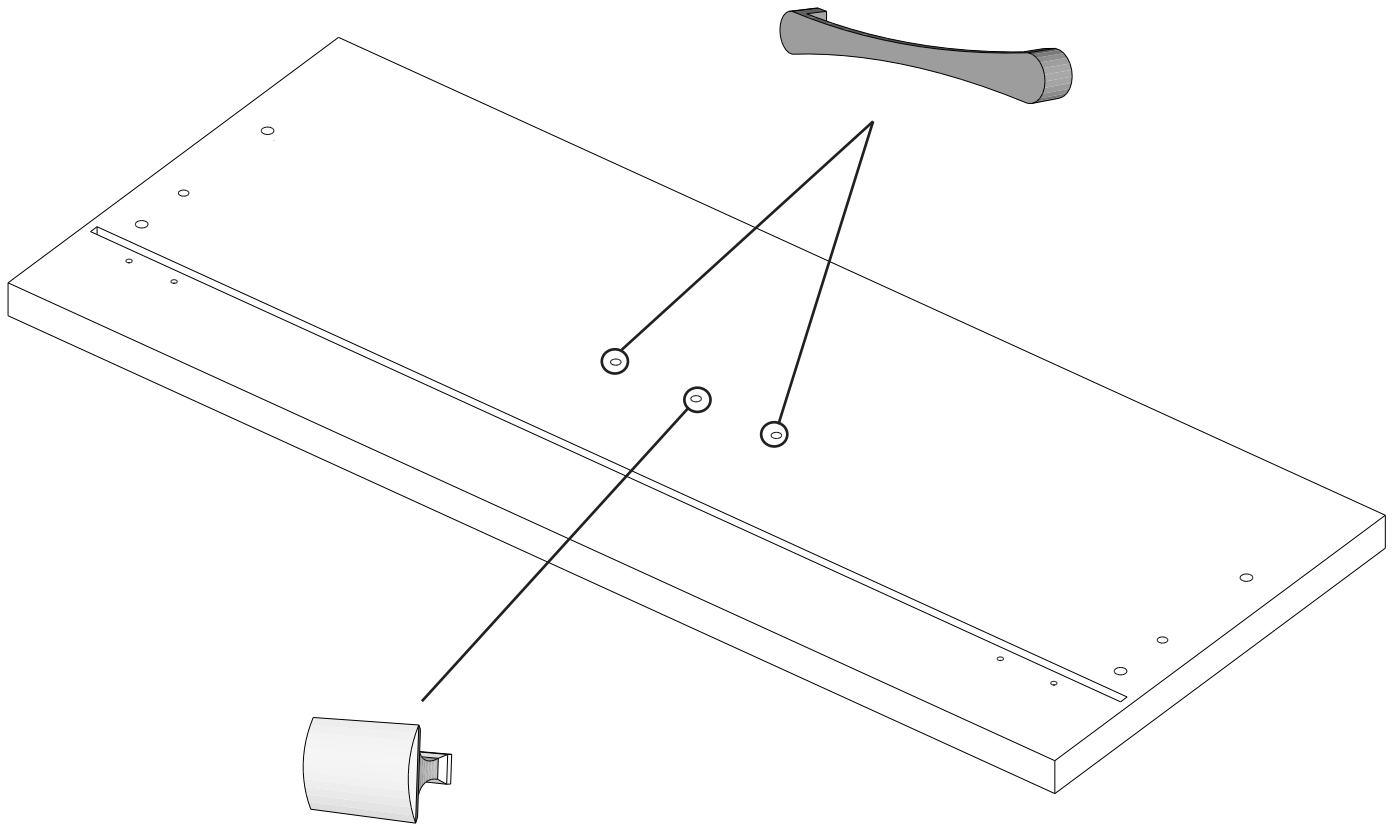
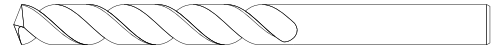




Step 5

Using the parts from ALT-DF, if using a bar pull, drill a hole through the two outside guide holes. If using a knob, drill a hole through the middle guide hole.

Drill Bit



Step 6

Insert Wooden Dowels and Camposts into drawer front as shown below.
Carefully, push Wooden Dowels into slots without tools.

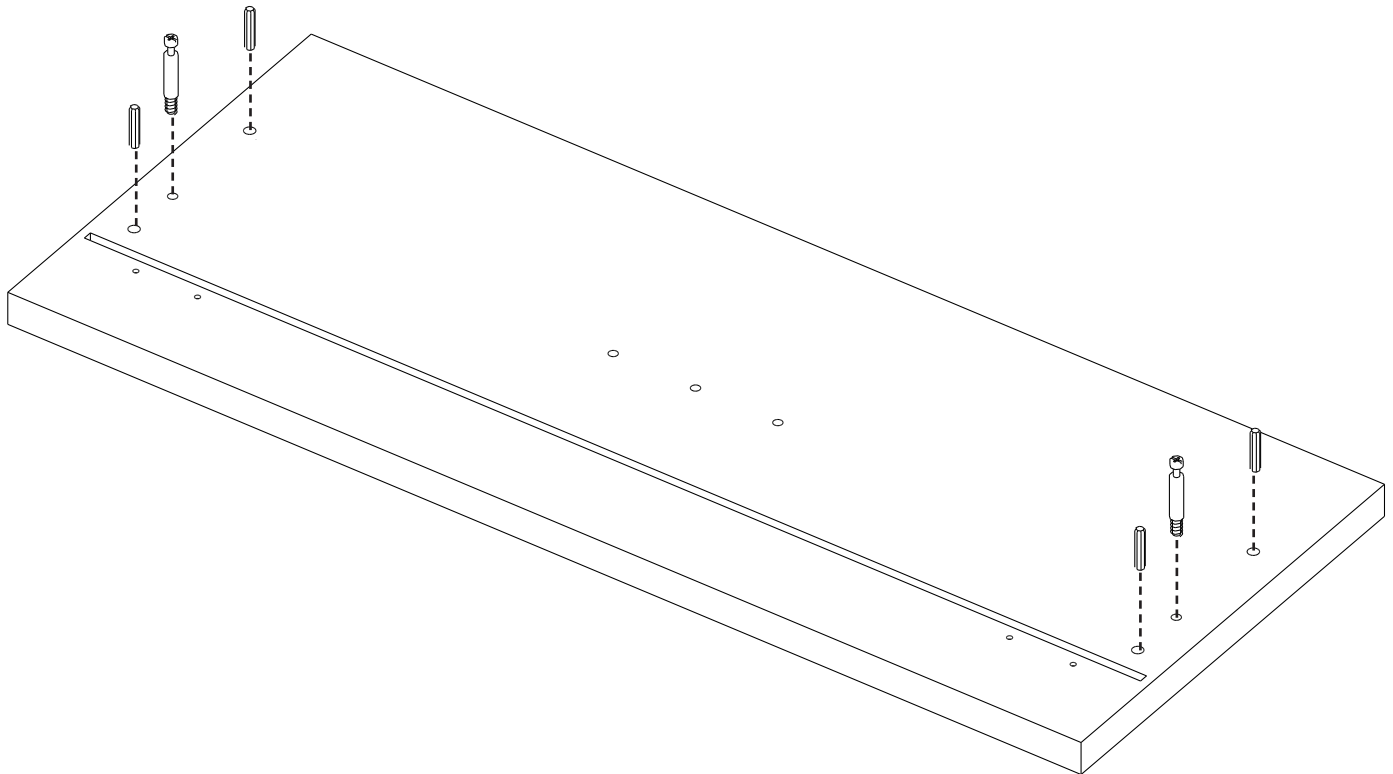
Campost
x2



Wooden Dowel
x4



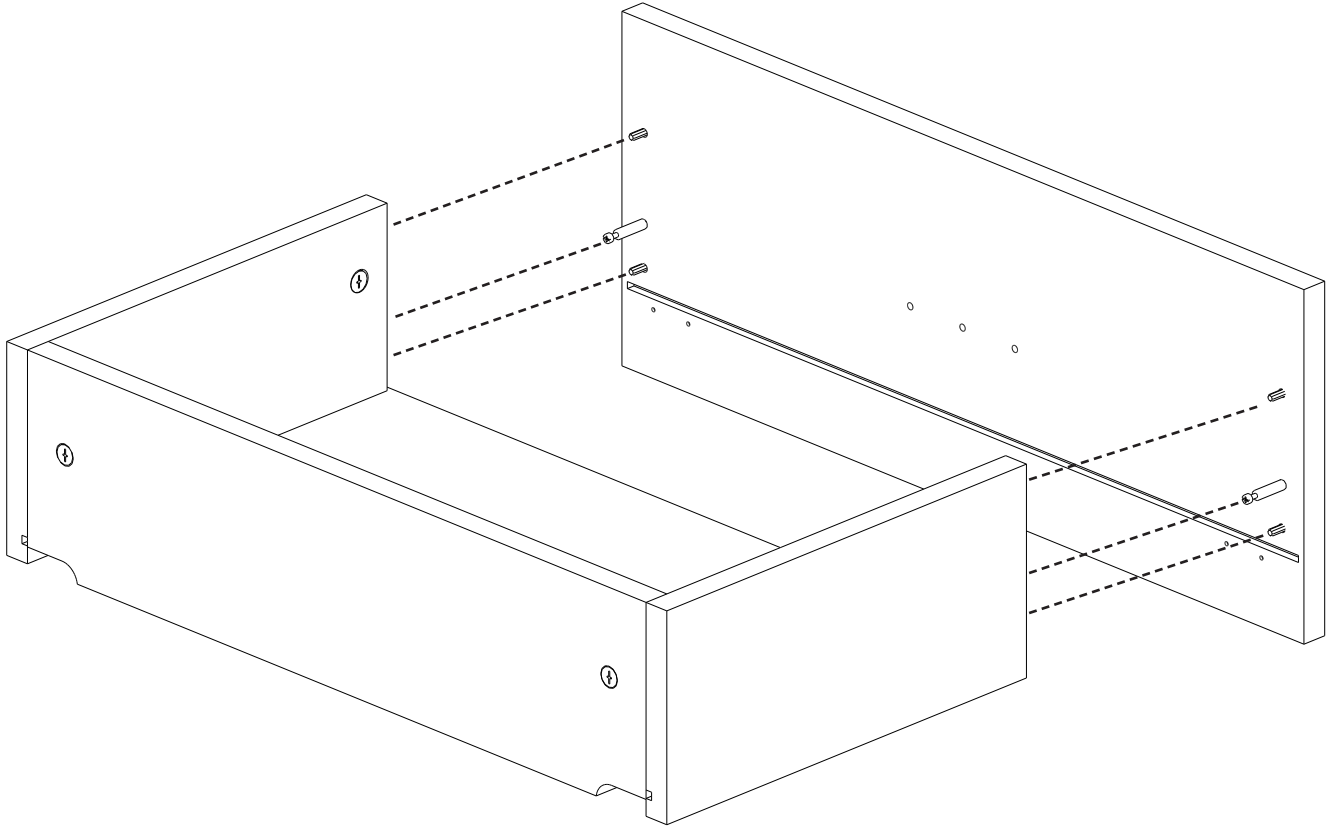
WARNING:
Wooden Dowels can break and ruin front
side of face if inserted with excessive force.
Insert slowly.





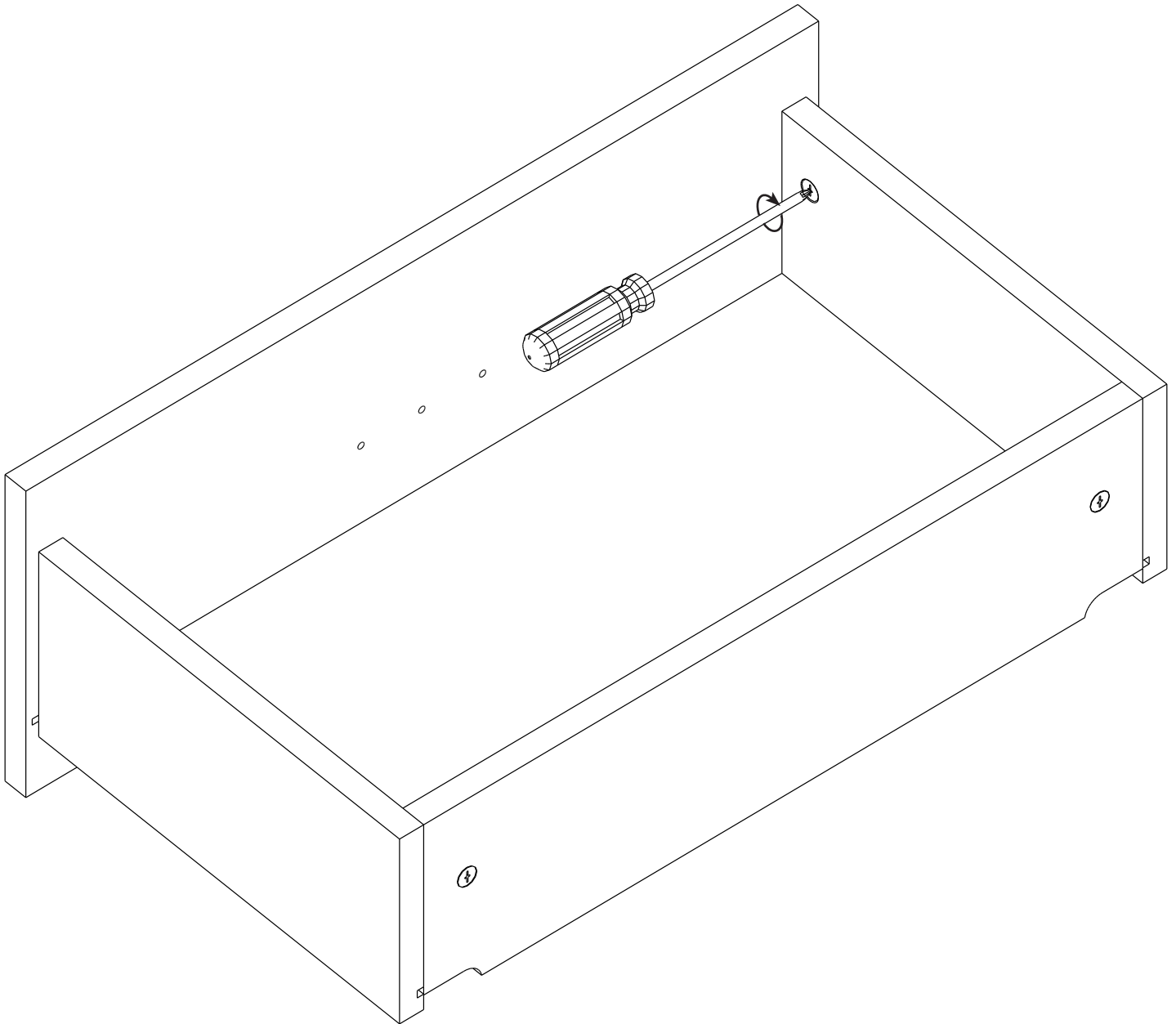
Step 7

Connect drawer front to drawer box.



Step 8

Tighten cam locks on both sides.



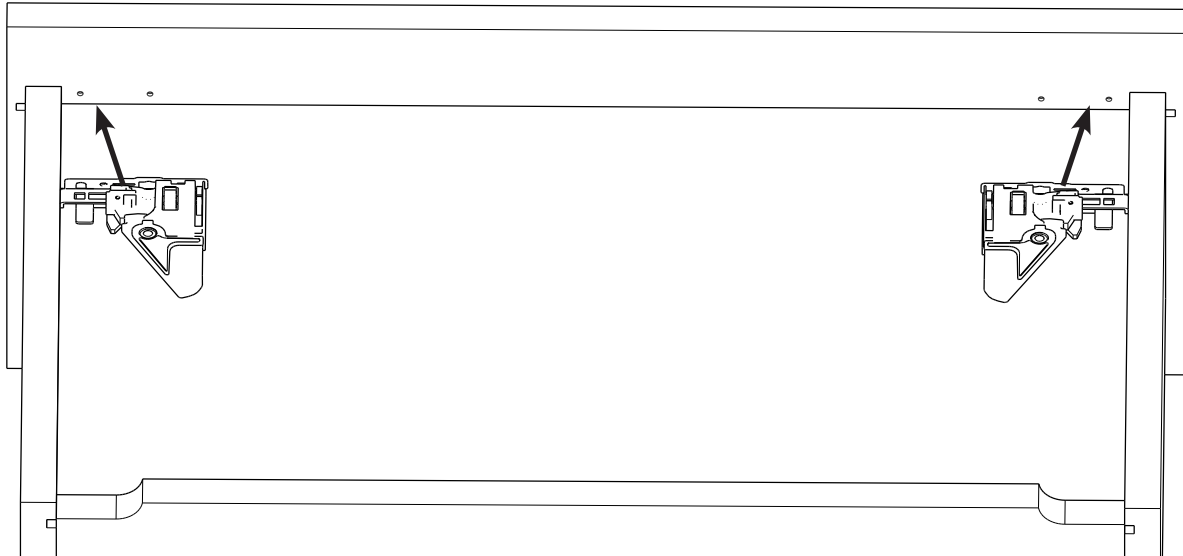
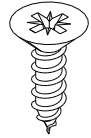
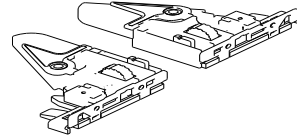


Step 9

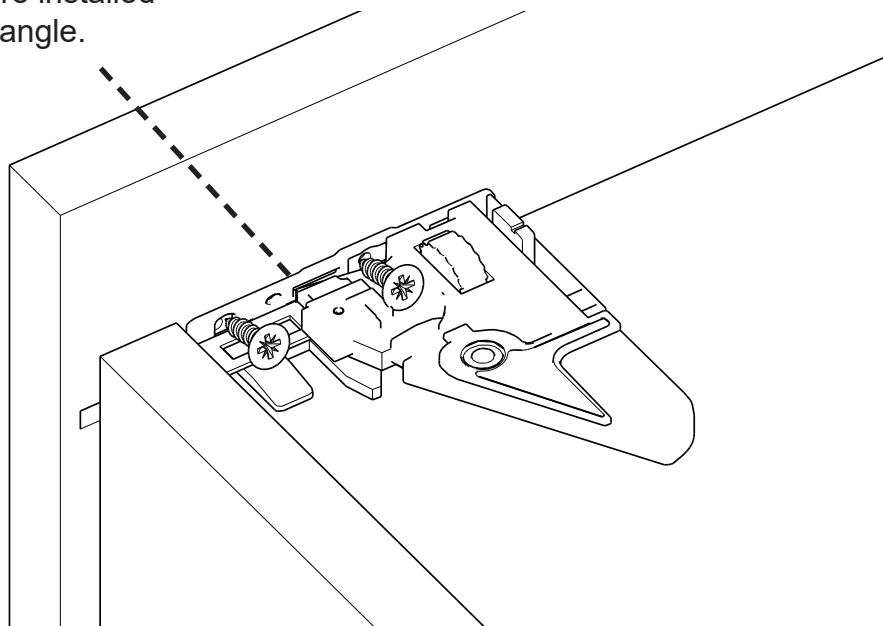
Flip over the drawer and put the lock for slides in each corner and screw in as shown. Repeat steps 2 - 9 for all drawers.

Drawer Slide Lock R,x1, L,x1

Screw for Locks x4

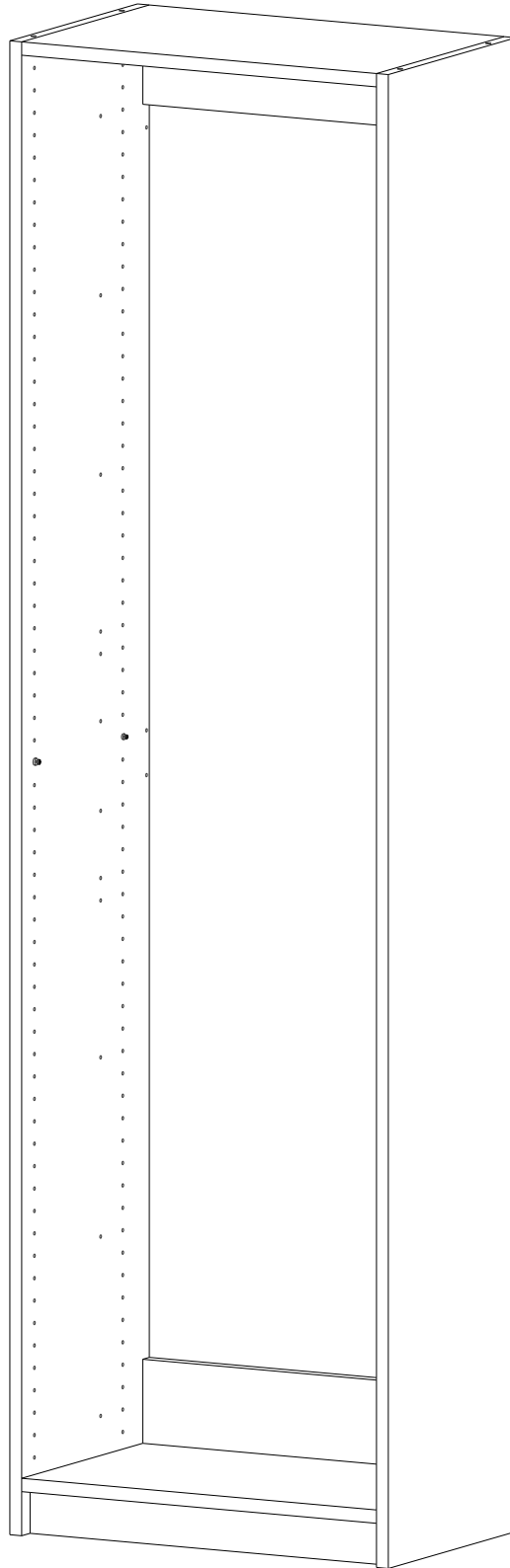


Note: Screws are installed at a slight angle.



Step 10

Ensure there is no middle cleat in the current Alto Tower. If there is, unscrew and remove it.



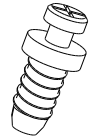


Step 11

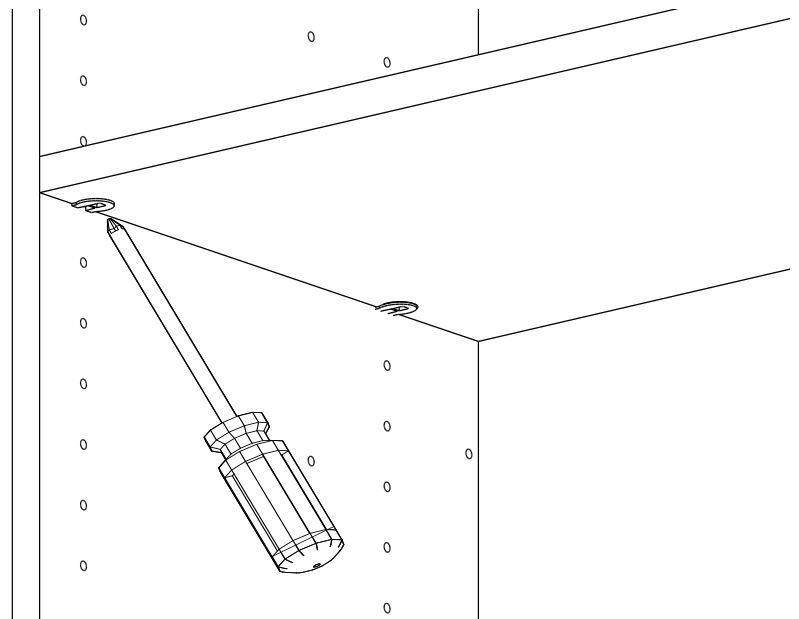
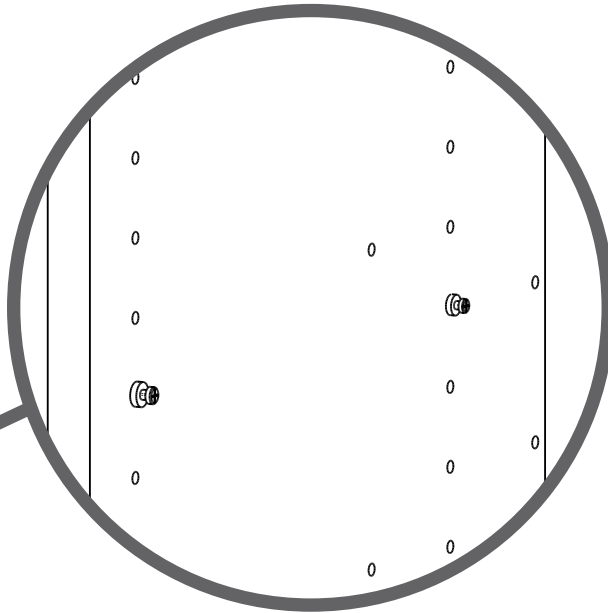
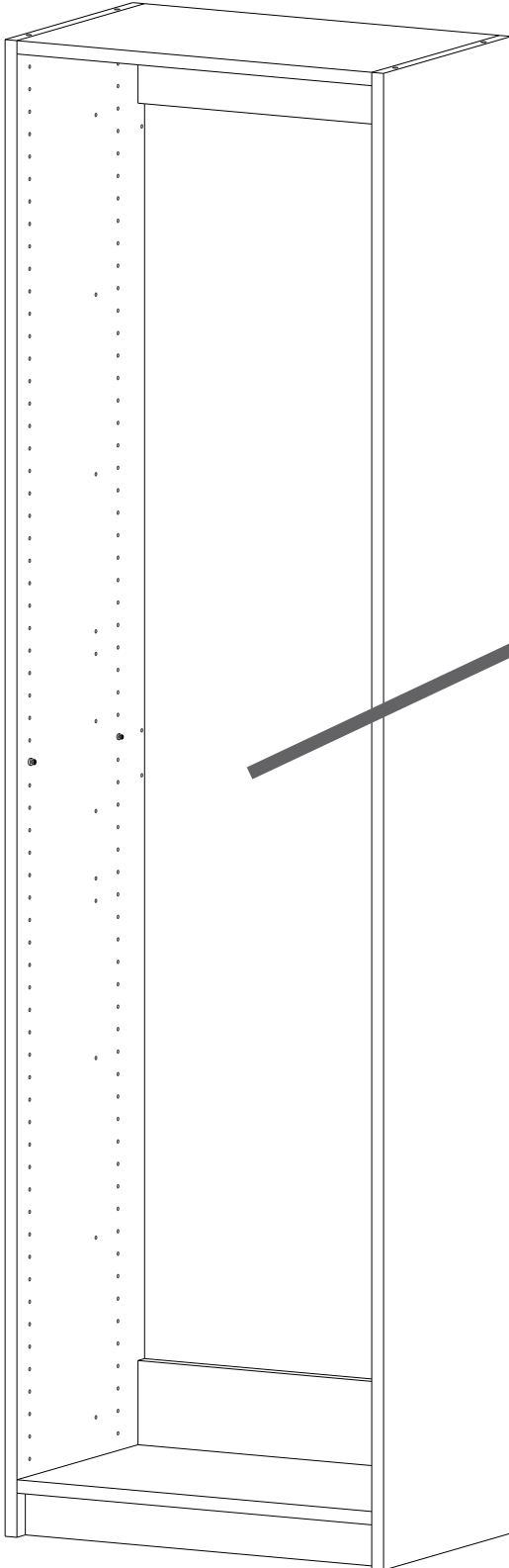
For drawer tower, the middle cleat in the tower must be removed if not already. Insert screw dowels into position and insert fixed shelf. Tighten Rafix hardware to secure shelf into place.

Screw Dowel

x4



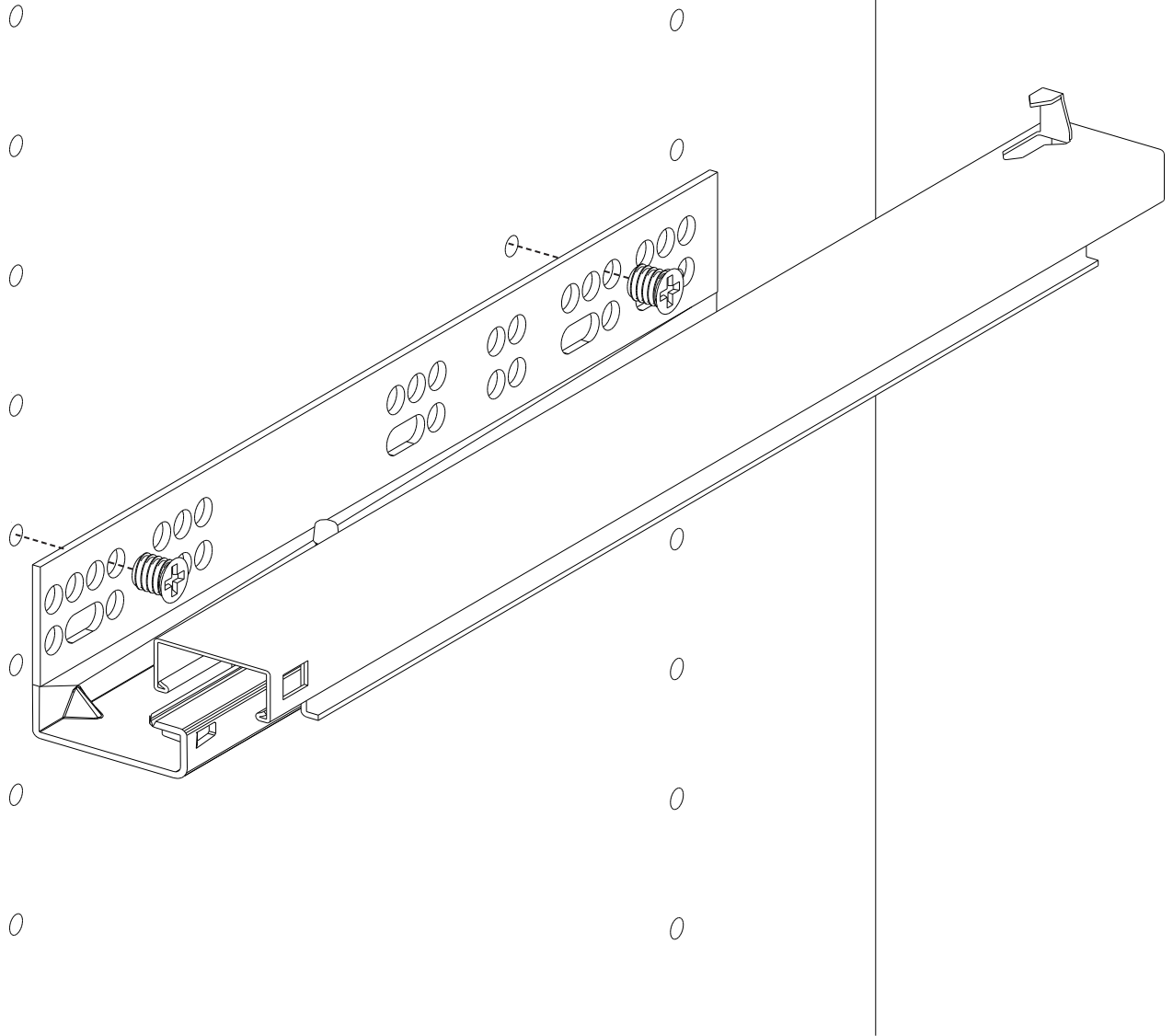
Holes are on same level with top of cleat holes



Step 12

Attach the Drawer Slides on either side as shown

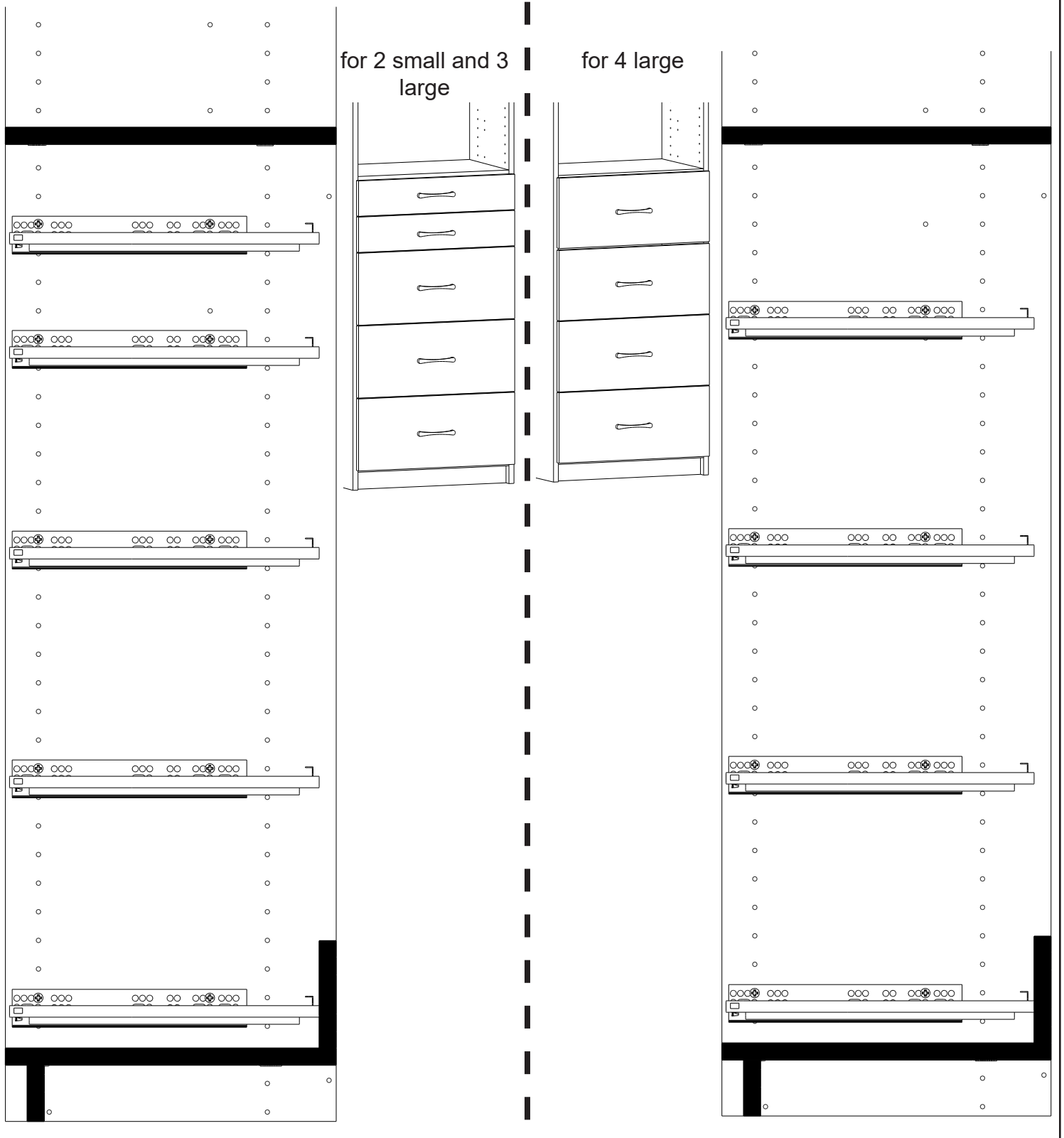
Drawer Slide
Screw x4





Step 13

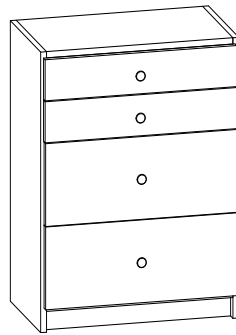
Repeat for remaining drawer slides. Please note the different placements for the 4 drawer and 5 drawer configuration as shown below.



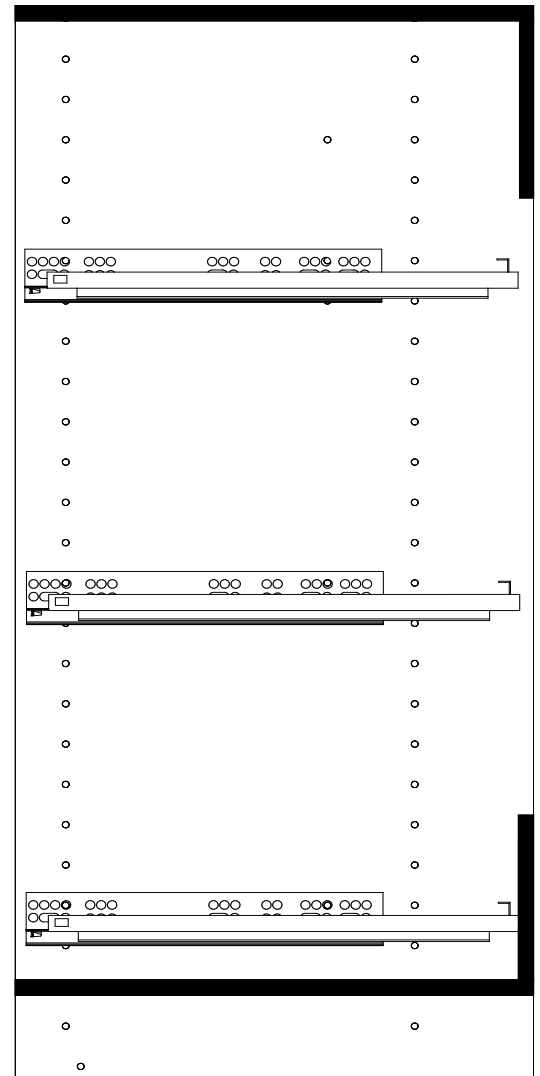
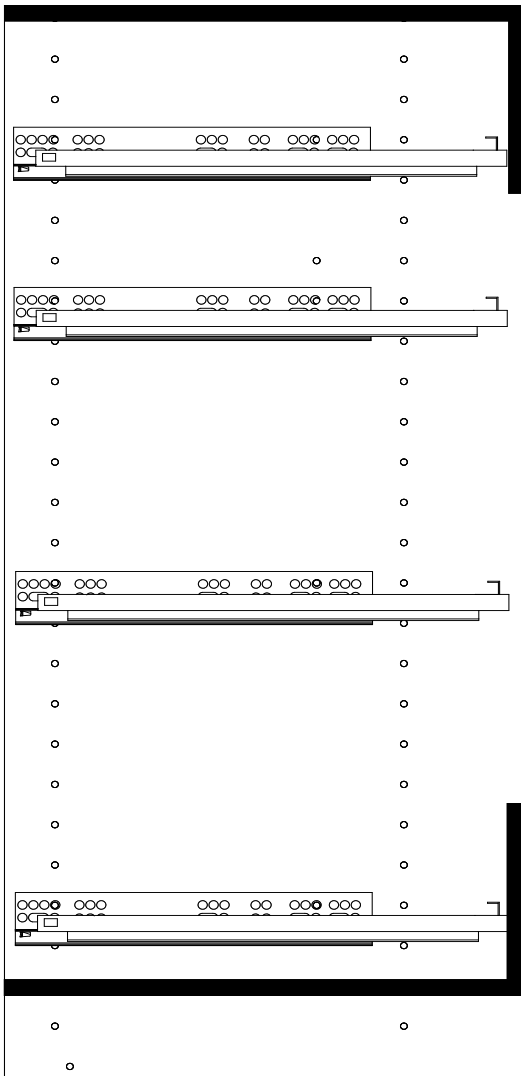
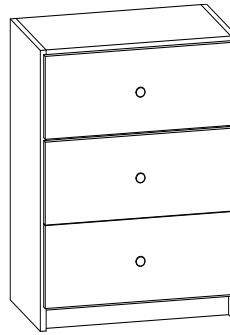
Step 13b (Short Tower Only)

Repeat for remaining drawer slides. Please note the different placements for the 4 drawer and 5 drawer configuration as shown below.

for 2 small and 2 large



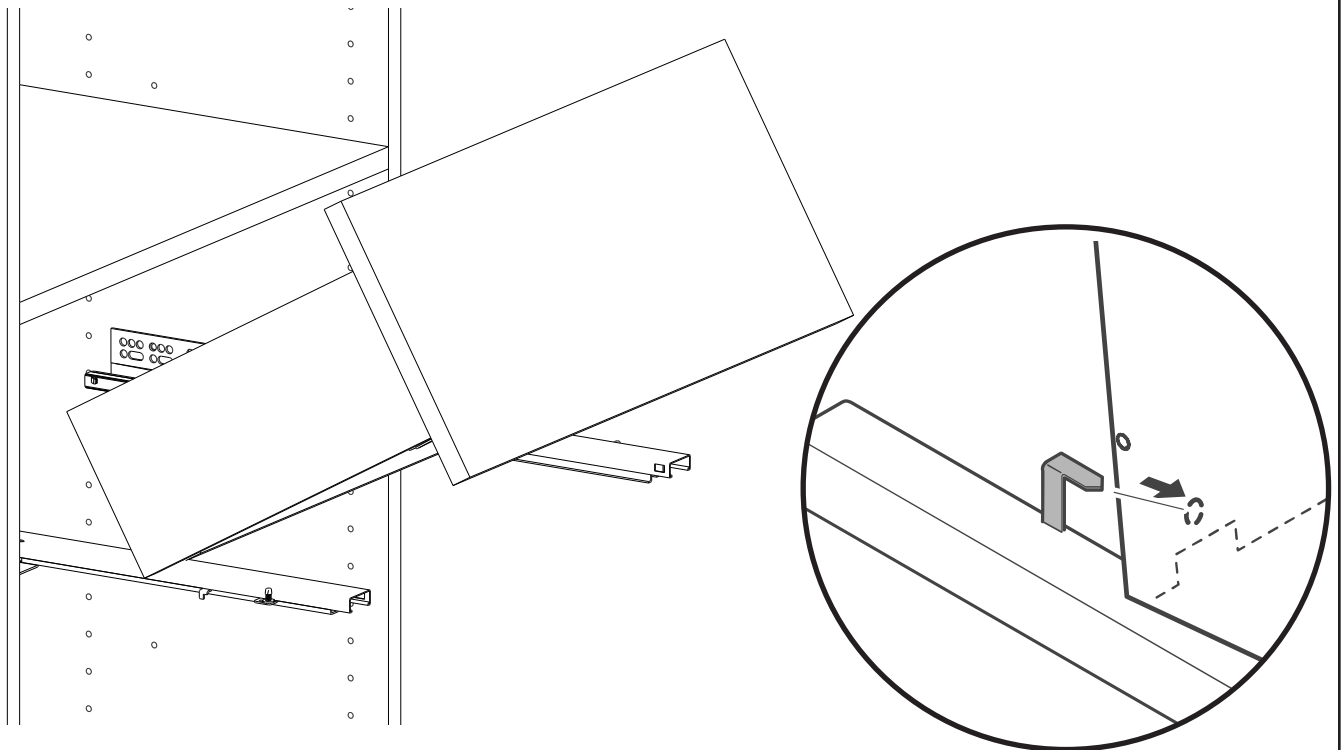
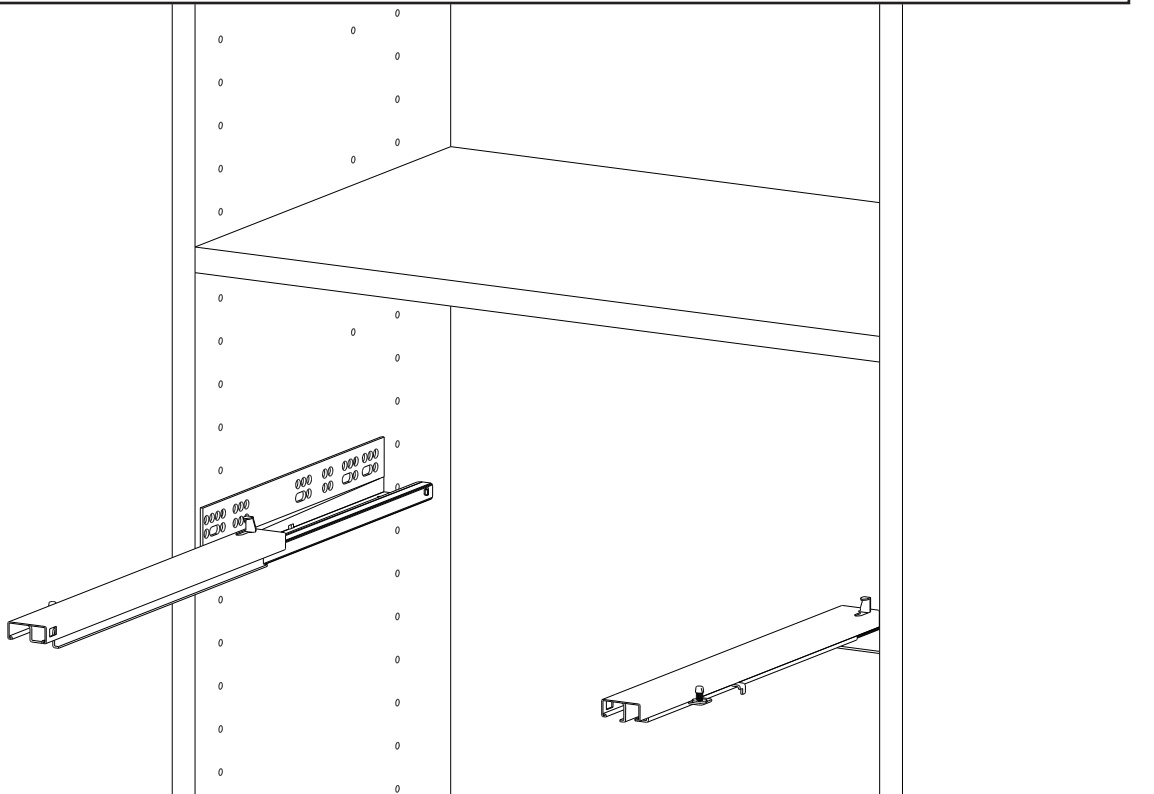
for 3 large





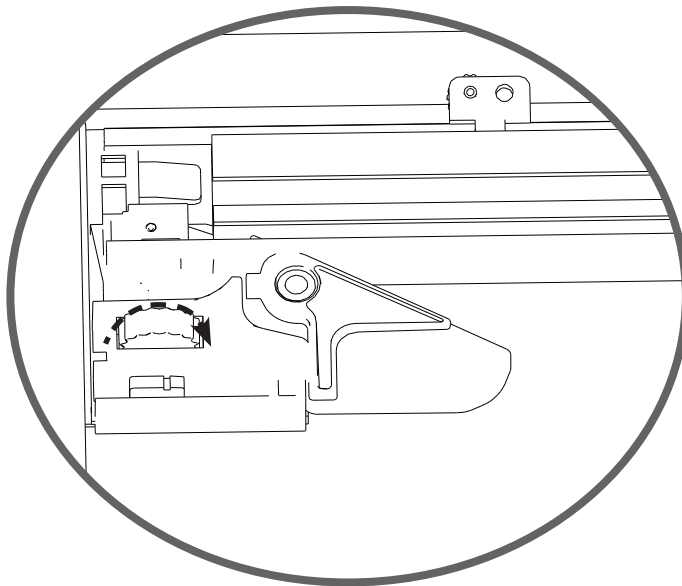
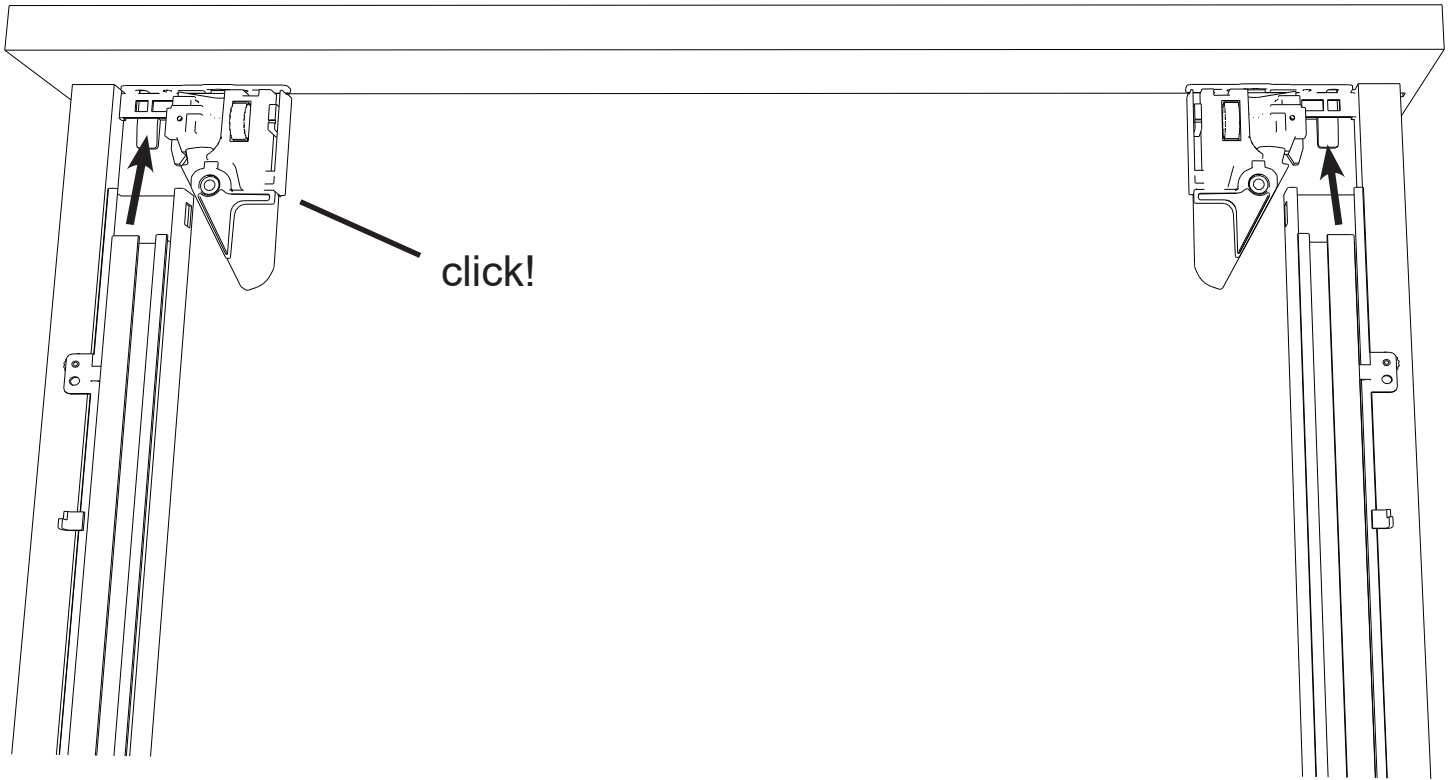
Step 14

Start with the bottom drawer slide.
Slide out the drawer slide and insert the drawer



Step 15

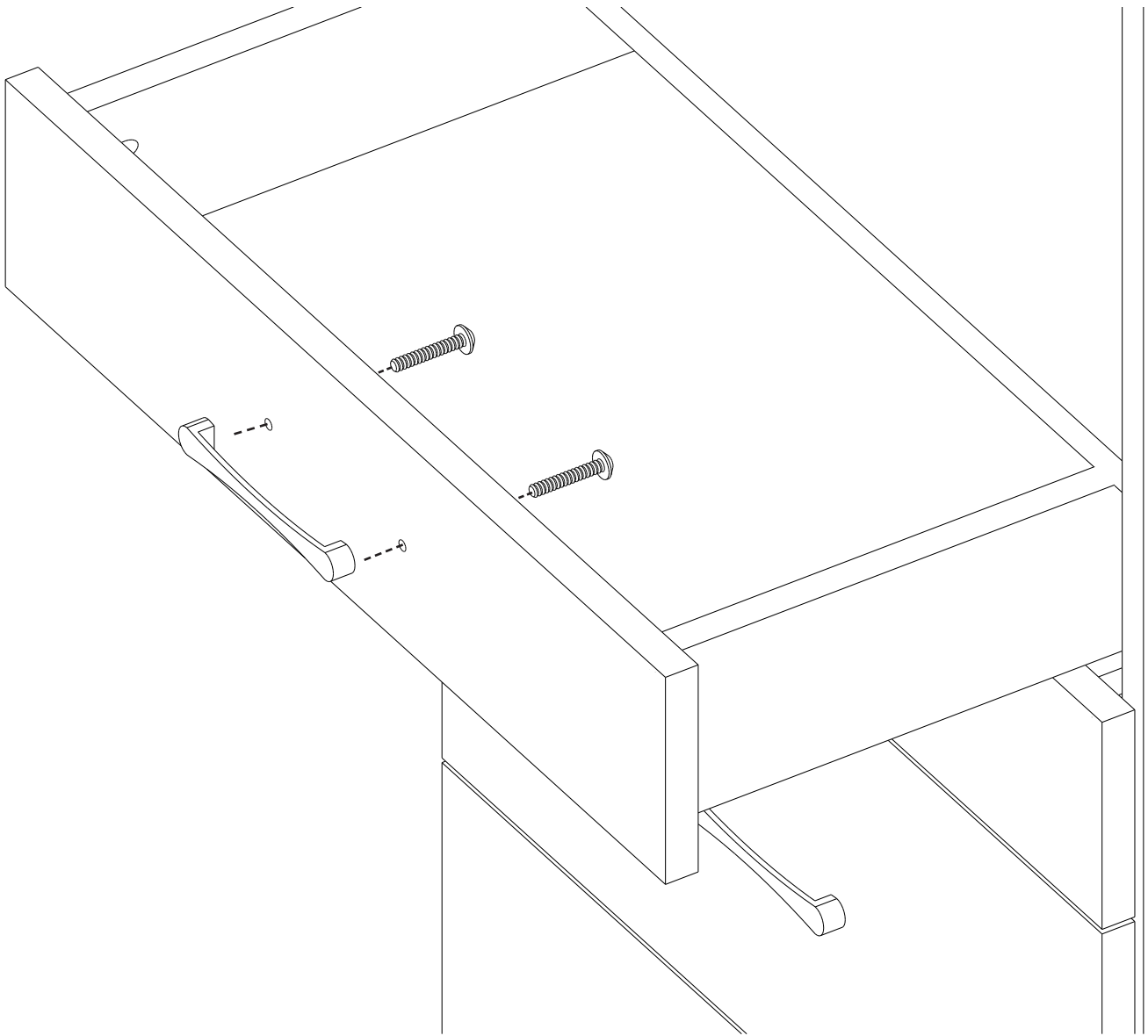
From the underside click the slides into the lock and secure by turning the dial. Repeat for all the drawers





Step 16

For drawer pull hardware, attach provided screws through the inside face of the drawer front and connect them to handle/knob. Repeat steps 13 - 15 for all drawers.





Door Assembly

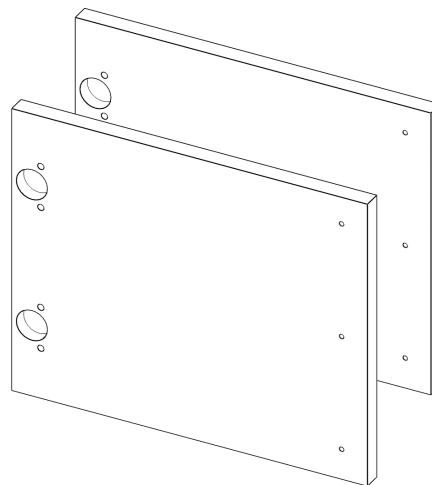
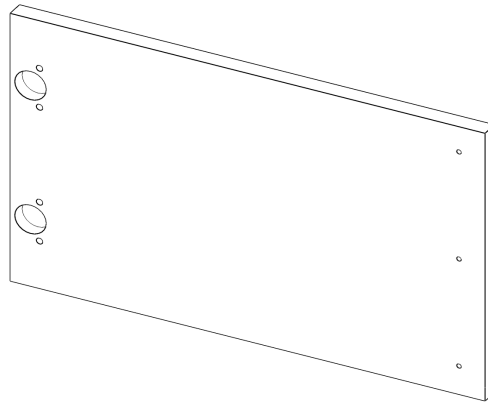
Boxes Needed

Door Sizes:

- ALTO-FDO
- ALTO-LDO
- ALTO-HDO
- ALTO-SDO
- ALTO-EDO

The following widths only come with 1 door.

(21"/19.5"/18"/16.5" only has 1 per pack)



Tools Needed

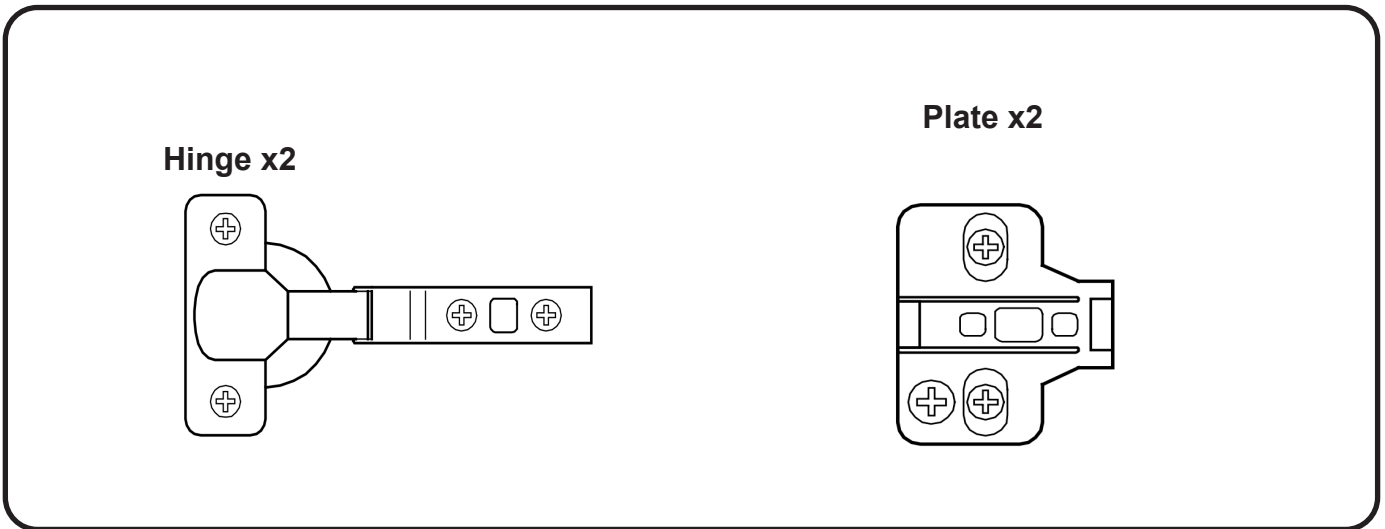
Philips Screwdriver



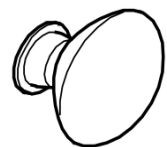
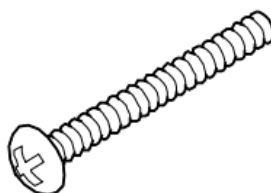
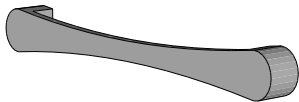
Rubber Mallet



Hardware Packs Needed
ALT-HRDP-DO
(2x Hardware Packs for FDO/LDO)

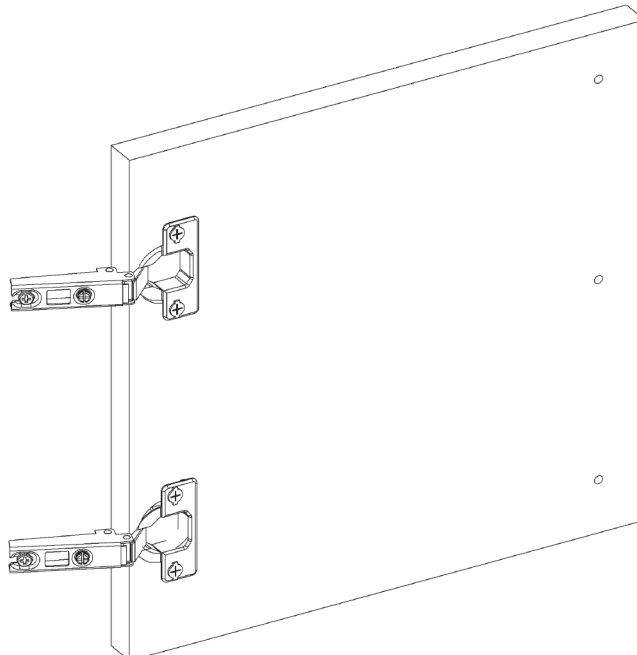
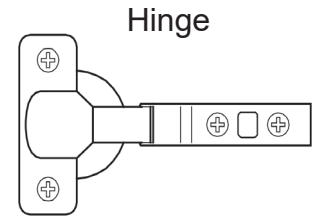
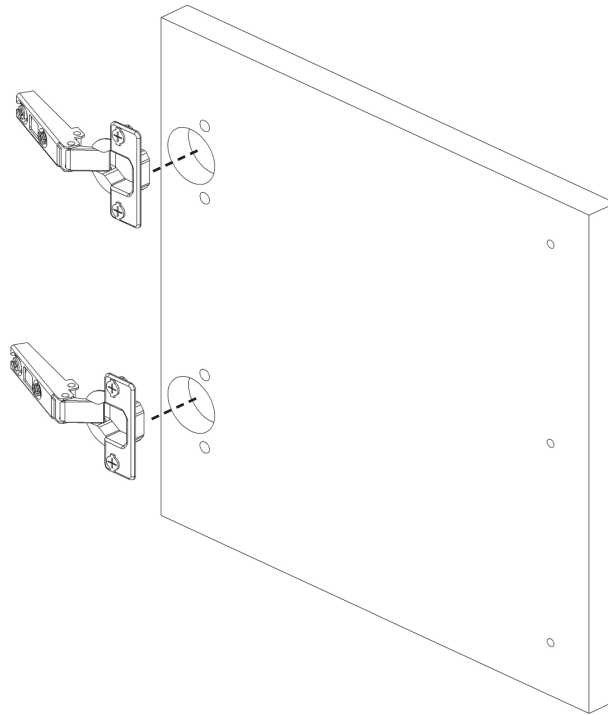


Knob/Pull and attaching screws are separate.



Step 1

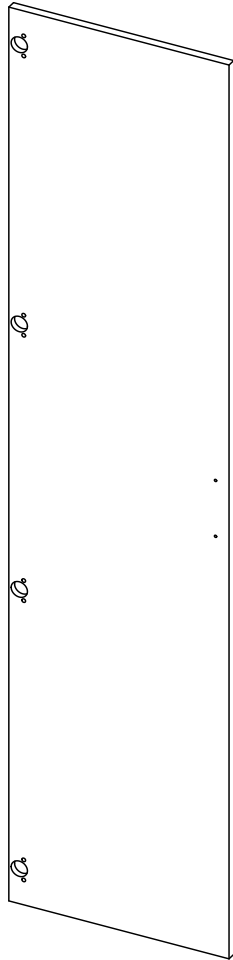
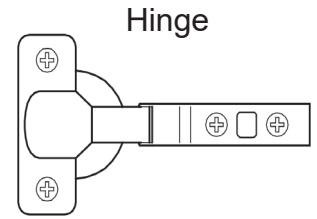
Insert hardware into **ALL** available slots on each door and secure hinge into place with screwdriver.



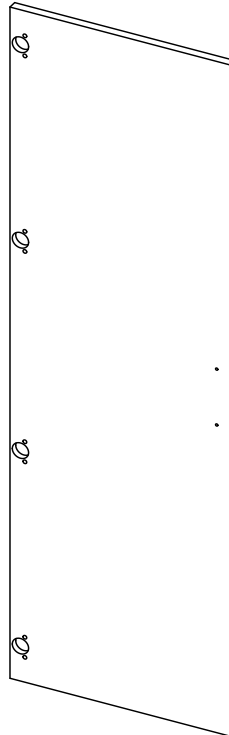


Step 1 (cont...)

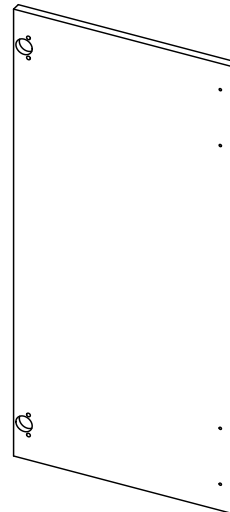
ALTO-FDO and ALTO-LDO both have four slots for each hinge hardware.
Please insert a hinge into all of the slots.



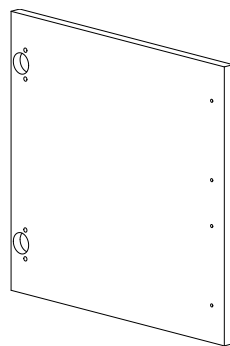
ALTO-FDO



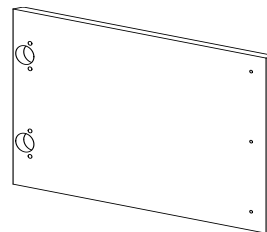
ALTO-LDO



ALTO-HDO



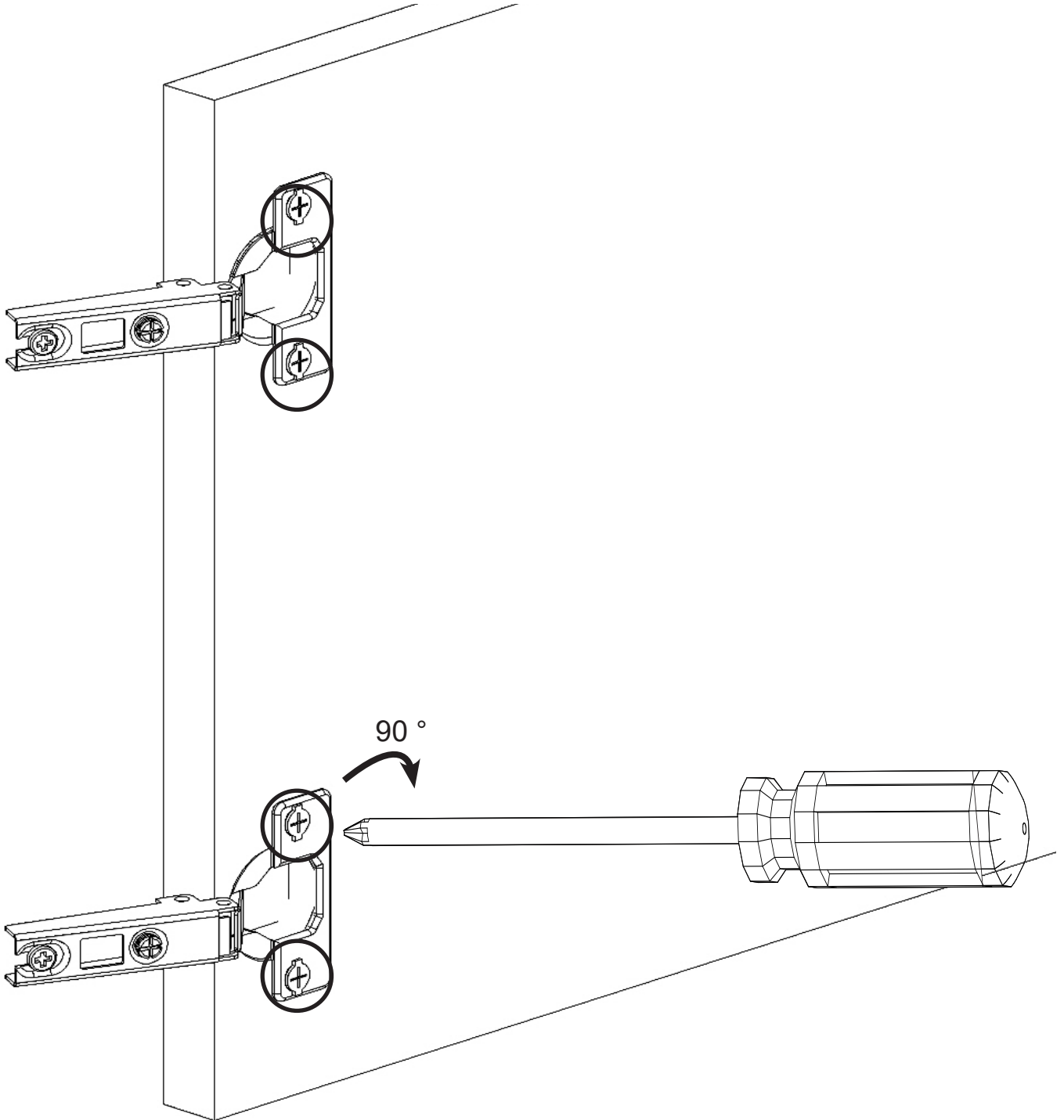
ALTO-EDO



ALTO-SDO

Step 2

Using a screwdriver tighten only the highlighted captive screws on the door hinges 90 ° clockwise to lock them in place. Do not use a drill.

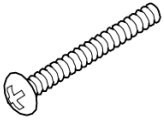




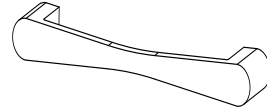
Step 2b (optional)

Install Door Knob/Handle by securing 1" screw into any of the pilot screws on the back of the door. You may have to use a drill bit to punch through hole.

Screw

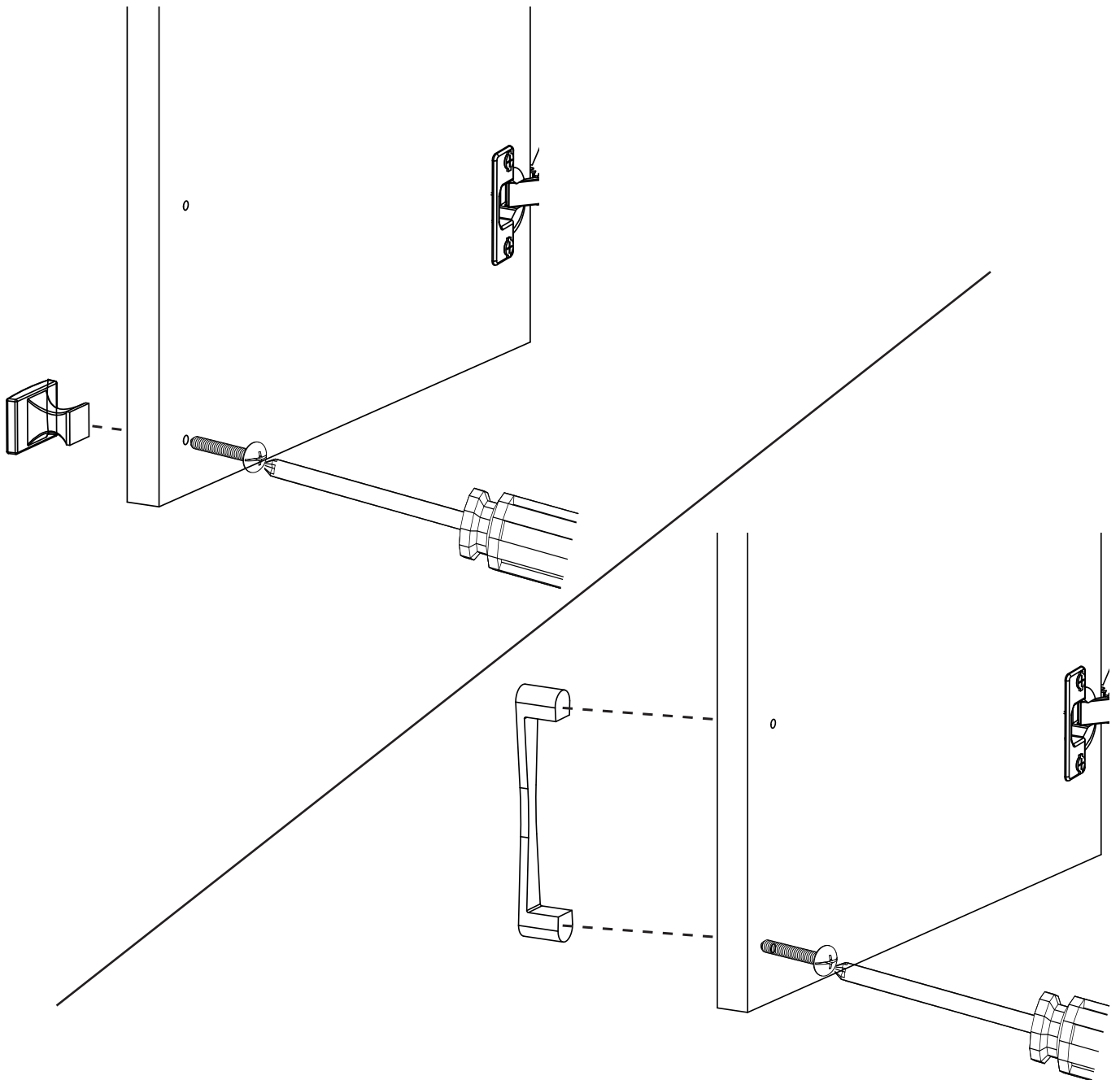
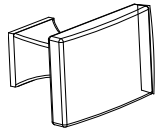


Pull



OR

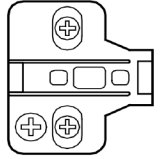
Knob



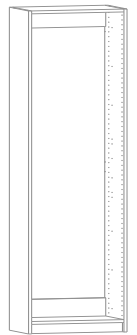
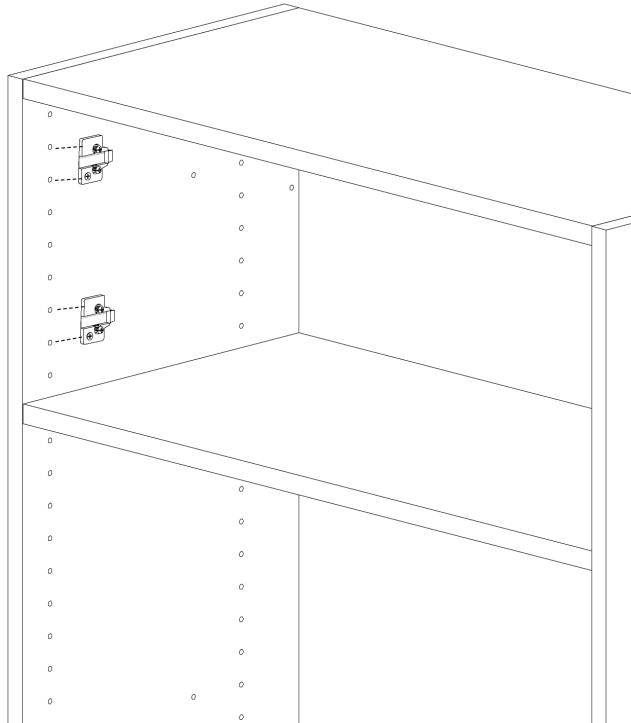
Step 3

Take the hinge plate in the provided door hardware and line up the plate screws to fit into the top section of your choice.

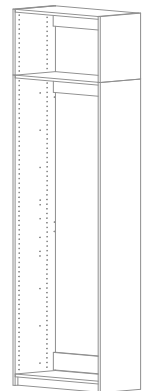
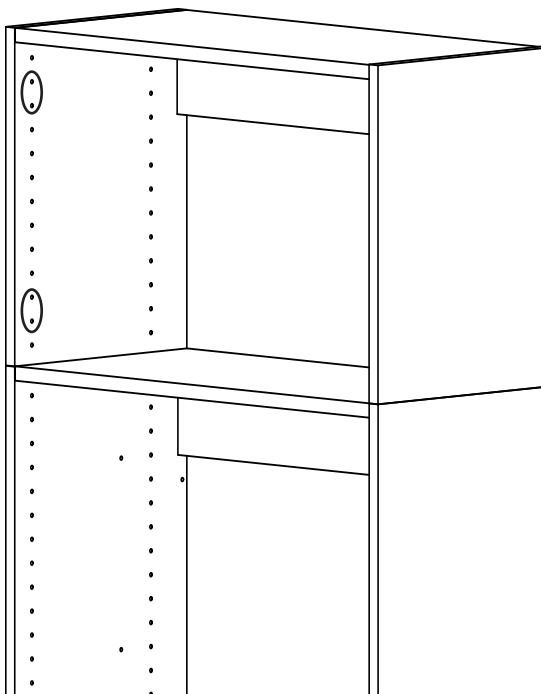
Plate



ALTO-SDO:
The Top Plate will be 1 hole down from the top. The Bottom Plate will have 3 empty holes inbetween from the Top Plate.



ALTO-EDO:
The Top Plate will be 1 hole down from the top. The Bottom Plate will be 1 hole up from the bottom.



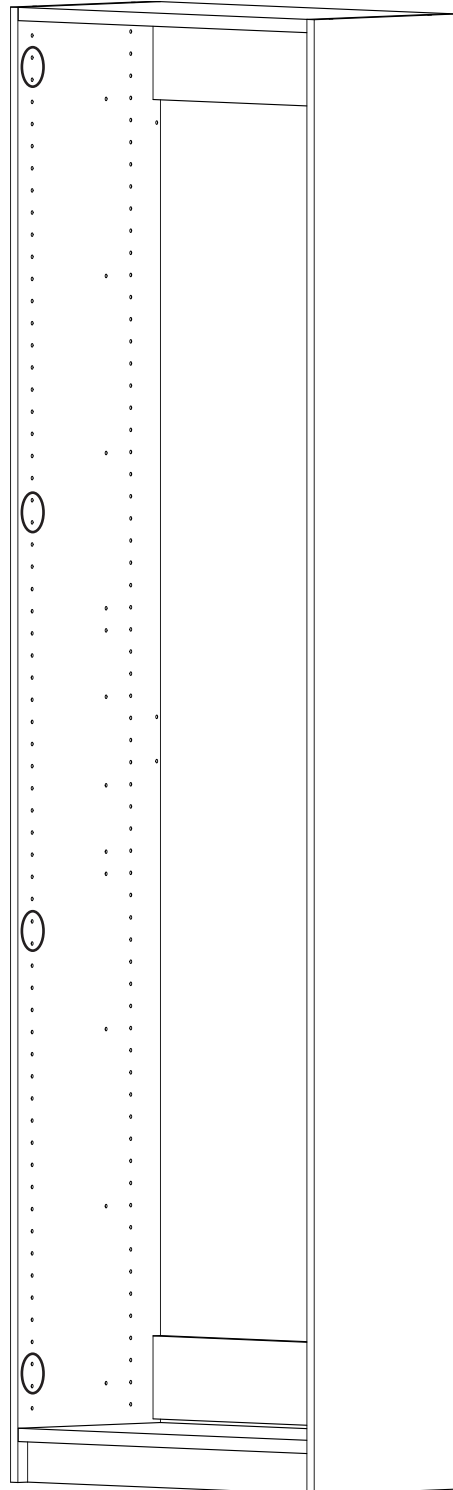


Step 3 (cont...)

Take the hinge plate in the provided door hardware and line up the plate screws to fit into the tower.

18 Hole Gap

18 Hole Gap



ALTO-FDO:

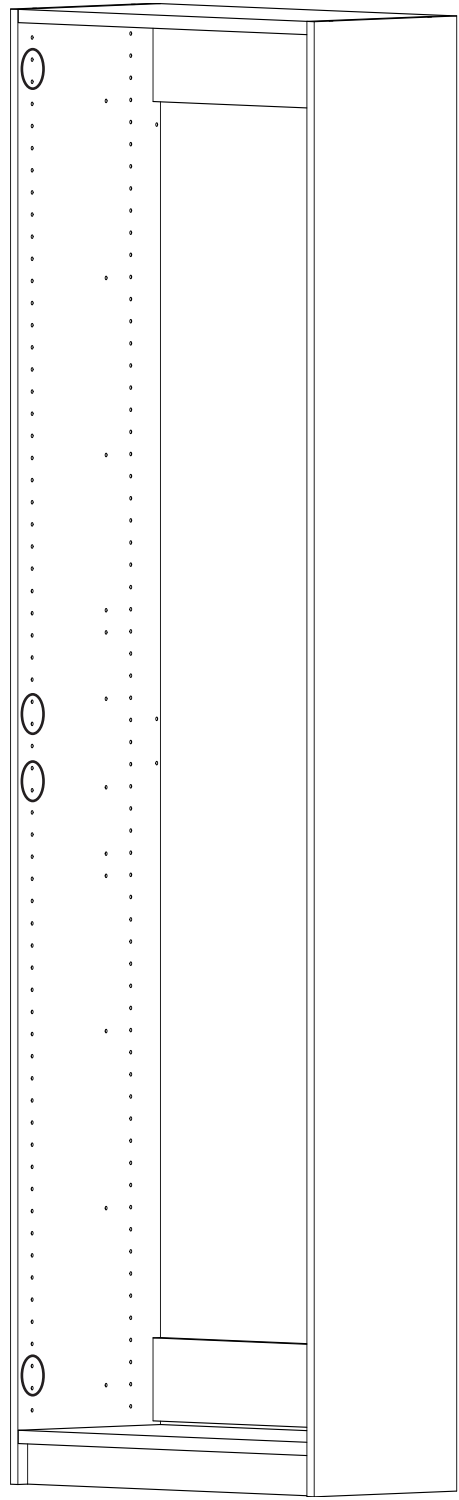
The Top Plate will be 1 hole down from the top.
The Bottom Plate will have 1 hole up from the bottom.

Step 3 (cont...)

Take the hinge plate in the provided door hardware and line up the plate screws to fit into the tower.

26 Hole Gap

26 Hole Gap



ALTO-HDO:

The half door will be installed either one hole from the top or one hole from the bottom then counter 26 hole gap between the other plate. Use the door hinges to confirm placement of plates.

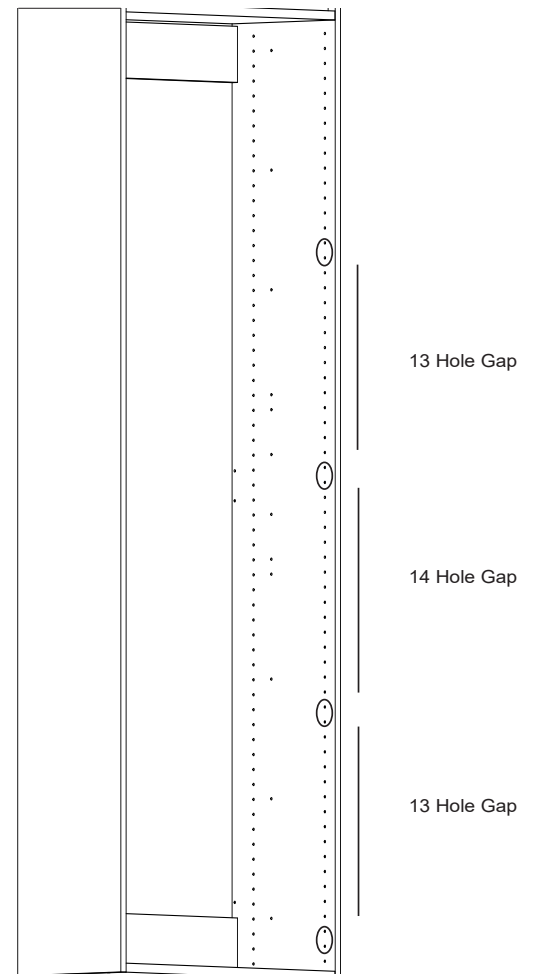
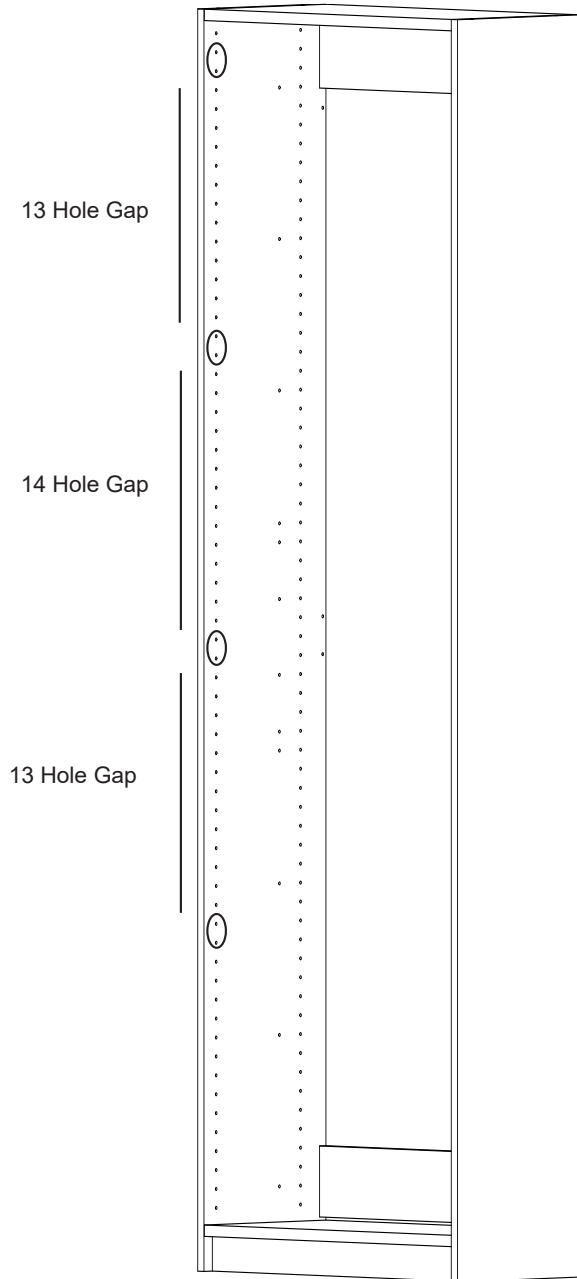


Step 3 (cont...)

Take the hinge plate in the provided door hardware and line up the plate screws to fit into the tower.

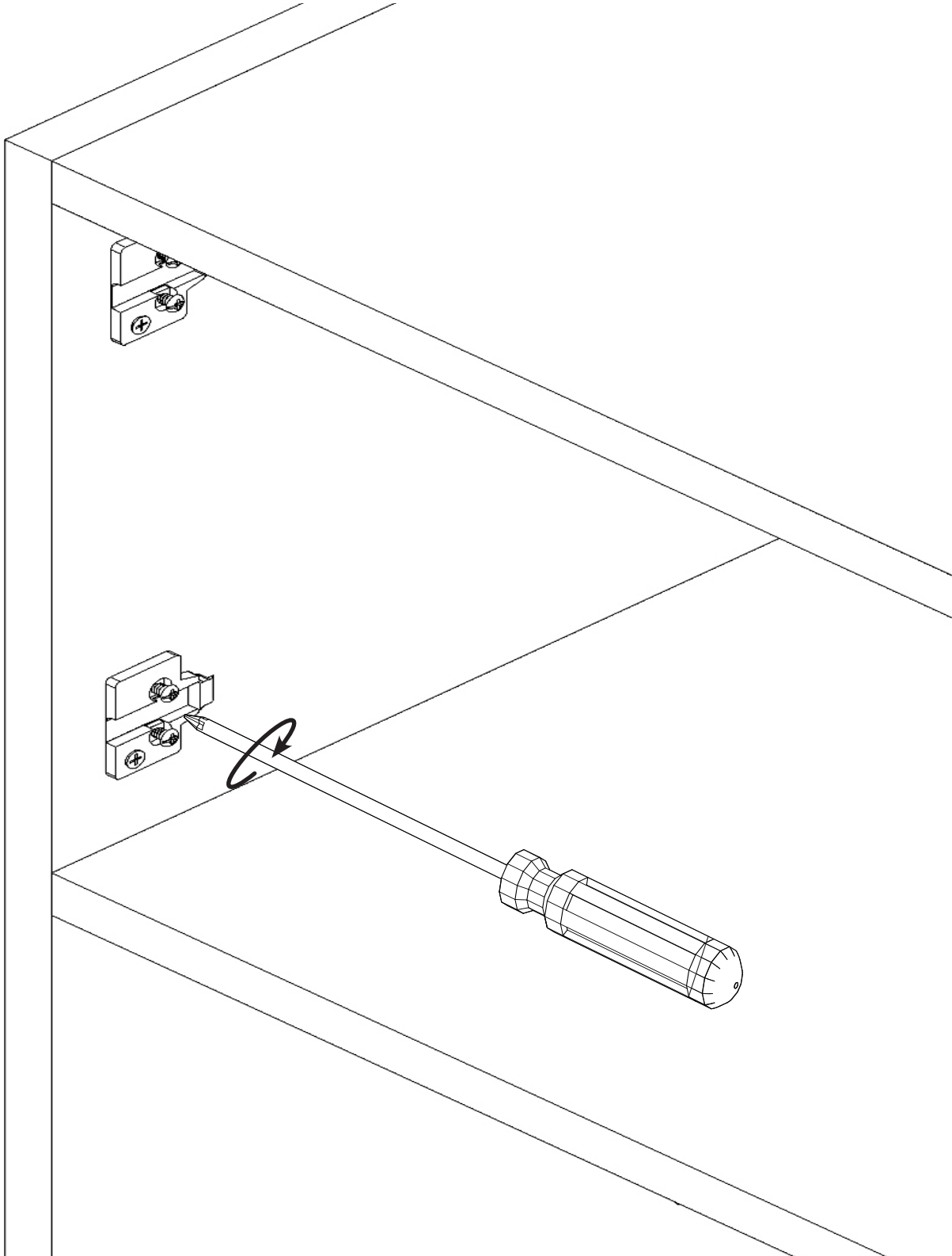
ALTO-LDO:

Door will be installed either one hole from the top or one hole from the bottom then follow the visual for the correct spacing on each plate to be installed.



Step 4

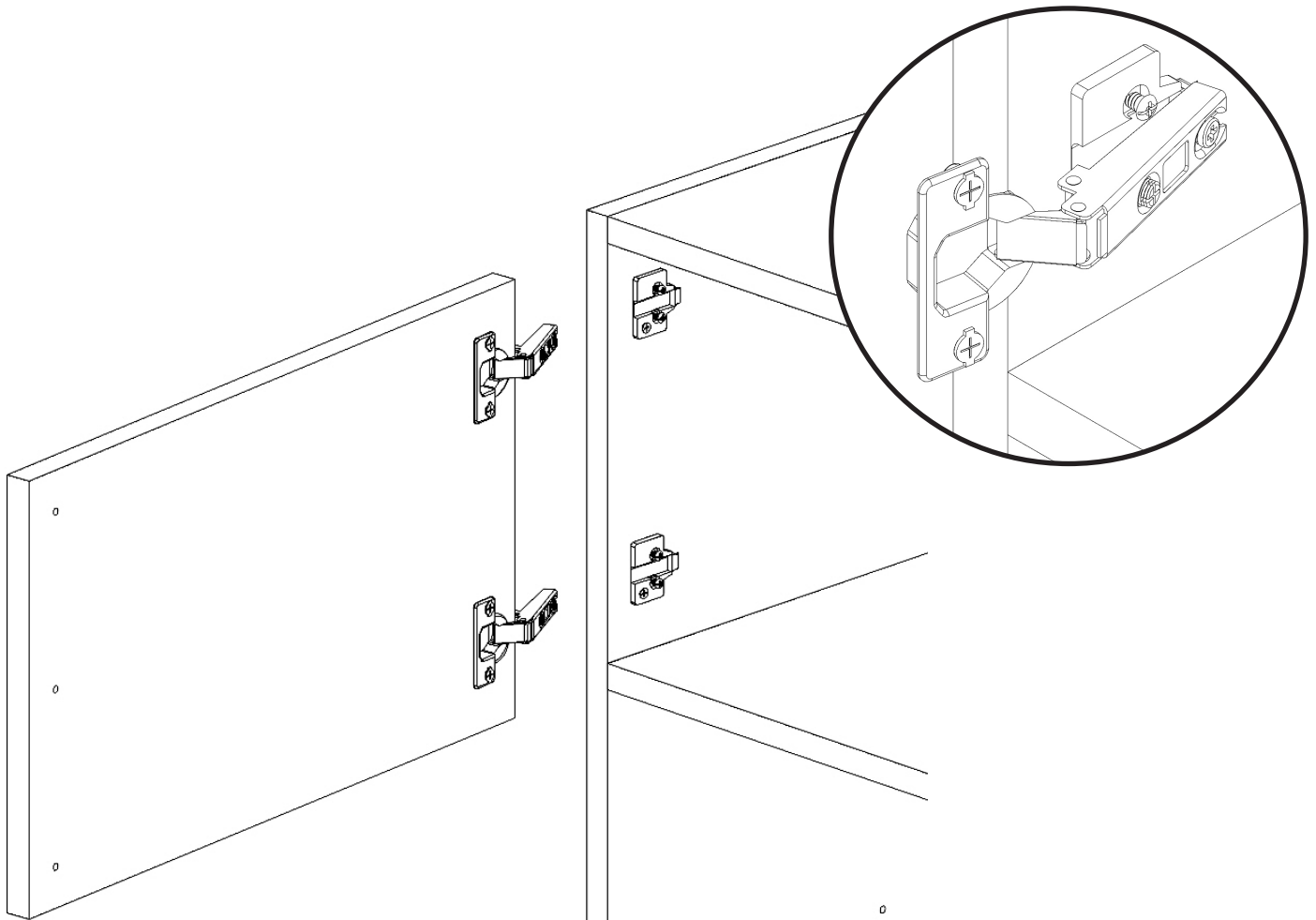
Use screw driver to tighten hinge plates into the panel. Do not use a drill.





Step 5

Snap the door hinge into the installed plate hinge on the side panel.

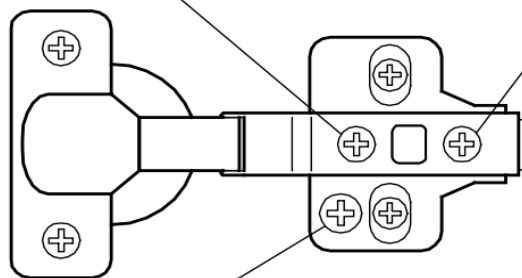


ADJUSTS POSITION OF HINGE
IN OR OUT (DEPTH)

ADJUSTS POSITION OF
HINGE SIDE TO SIDE

PRESS TO RELEASE HINGE
FROM HINGE PLATE

ADJUSTS POSITION OF
HINGE UP AND DOWN



Step 6

Repeat steps 1-5 for all remaining doors

